



US00RE36581E

United States Patent [19] [11] E
Yamanari et al.

Patent Number: Re. 36,581
[45] Reissued Date of Patent: *Feb. 22, 2000

[54] **CHARACTER READER AND RECOGNIZER WITH A SPECIALIZED EDITING FUNCTION**

[56]

References Cited

[75] Inventors: **Masaya Yamanari; Masami Ikeda,**
both of Ohme, Japan
[73] Assignee: **Kabushiki Kaisha Toshiba,** Japan

4,674,065	6/1987	Lange et al.	364/900
4,817,185	3/1989	Yamaguchi et al.	382/59
4,899,276	2/1990	Stadler	364/300
5,025,484	6/1991	Yamanari et al.	382/61

[*] Notice: This patent is subject to a terminal disclaimer.

Primary Examiner—Amelia Au
Assistant Examiner—Larry J. Prikoekis
Attorney, Agent, or Firm—Finnegan, Henderson, Farabow, Garrett & Dunner, L.L.P.

[21] Appl. No.: **08/510,230**

[22] Filed: **Aug. 2, 1995**

[57]

ABSTRACT

The character reader device of the present invention is capable of reading as read data characters written in a portion corresponding to a given read field on a manuscript; detecting a reject character in the read data; generating a pattern image corresponding to the reject character; displaying the read data, the reject character, and the pattern image; computing the position of a display area for the read data; deciding whether or not the computed display area is overlapped with the display area for the pattern image; shifting the pattern image to the area which is the outside of the display area for the read data if overlapped; and displaying it on the latter area. The character reader device can therefore prevent a disadvantage in modifying the reject character if the display area for the pattern image of the reject character is overlapped with the display area for the read data of the read field including the reject field by shifting the display area for the pattern image to another area and thereby modify the reject character more efficiently.

Related U.S. Patent Documents

Reissue of:

[64] Patent No.: **5,233,672**
Issued: **Aug. 3, 1993**
Appl. No.: **07/711,868**
Filed: **Jun. 7, 1991**

U.S. Applications:

[63] Continuation of application No. 07/232,189, Aug. 15, 1988, Pat. No. 5,025,484.

[30] **Foreign Application Priority Data**

Dec. 11, 1987 [JP] Japan 62-314349

[51] **Int. Cl.⁷** **G06K 9/03; G06K 9/72; G06K 9/20**

[52] **U.S. Cl.** **382/309; 345/342; 382/317**

[58] **Field of Search** **382/309, 310, 382/311, 229, 317, 231; 395/146; 345/342, 344, 347**

3 Claims, 4 Drawing Sheets

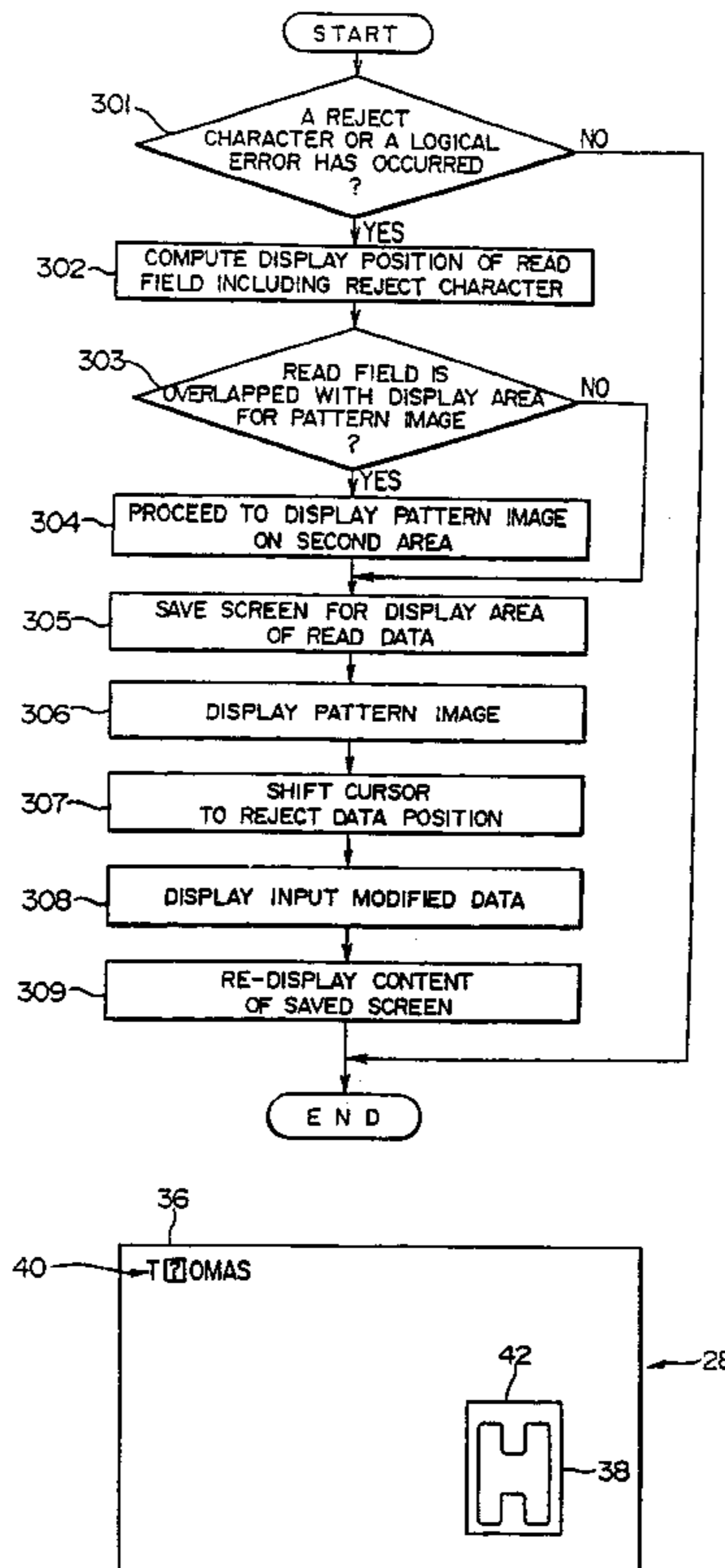


FIG. 1

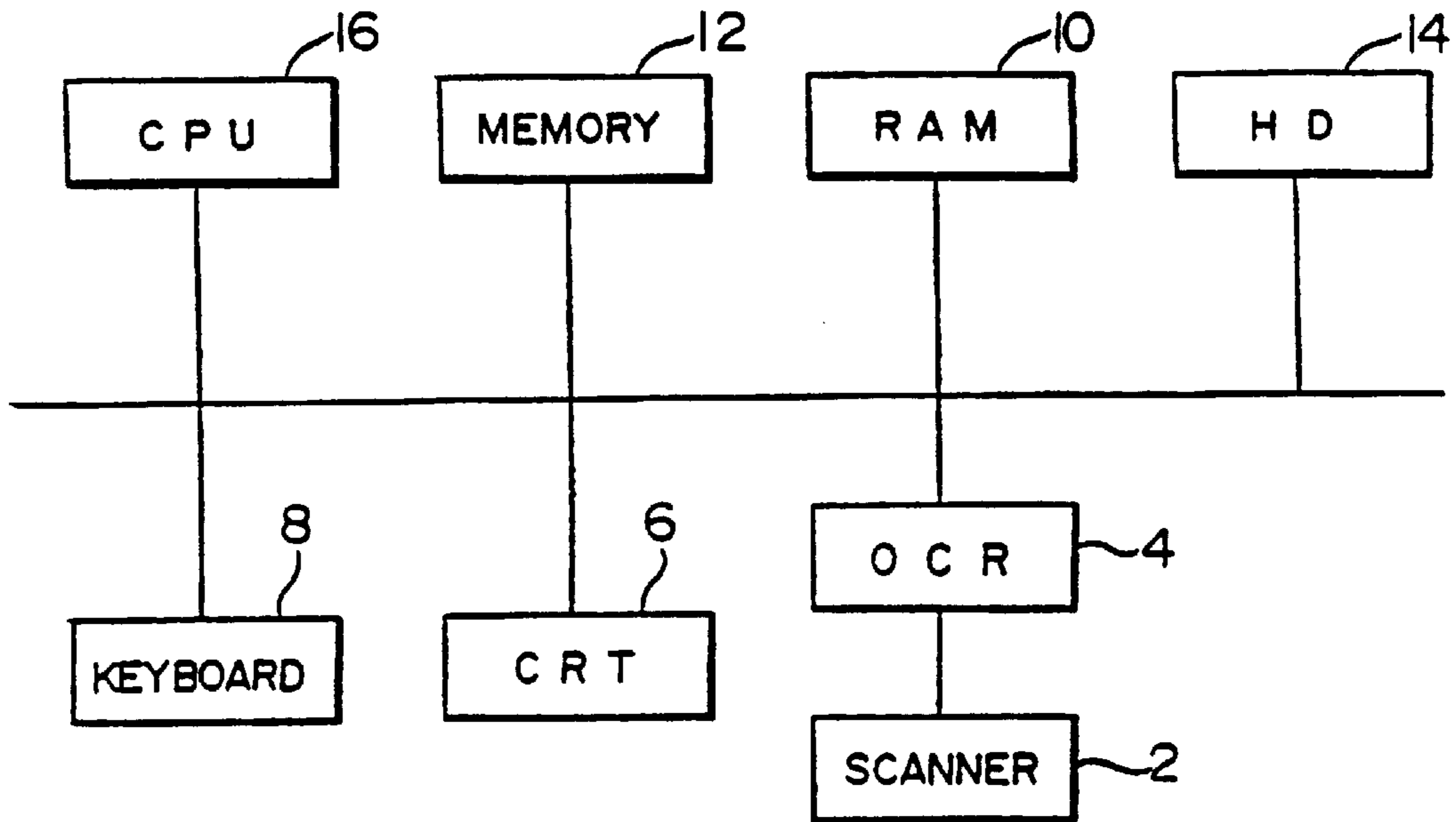


FIG. 2

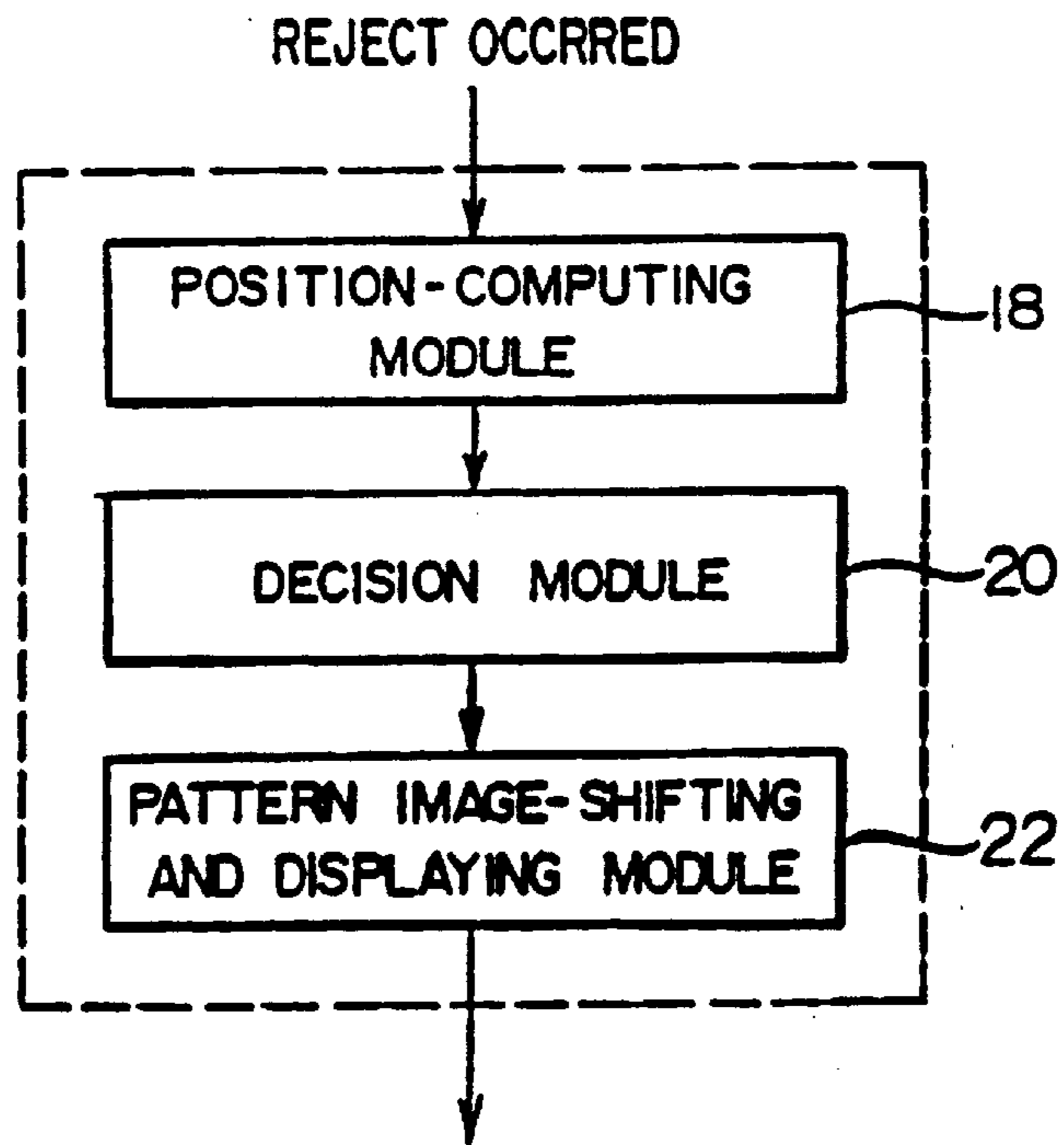


FIG. 3

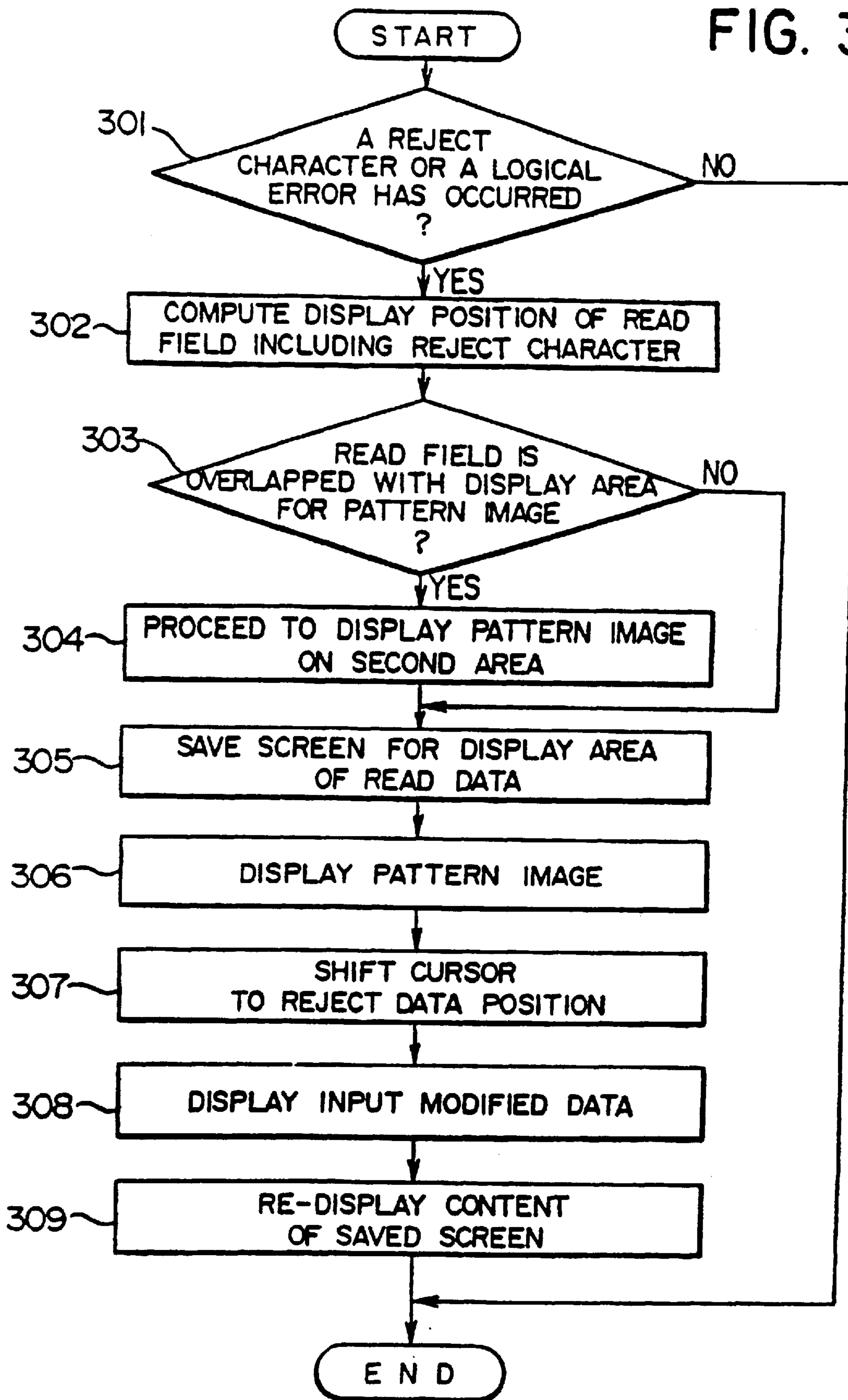


FIG. 4

A rectangular form layout containing several input fields. At the top left, there is a small box labeled 'T' followed by a larger box labeled 'TEL'. Below these is a large rectangular box labeled 'NAME'. Underneath the 'NAME' box are two smaller boxes, one labeled 'CAR' and one labeled 'CON-TENT'. At the bottom right, there is a box labeled 'TERM' containing a question mark. A reference numeral '24' points to the right side of the form, and '26' points to the 'TERM' box.

FIG. 5(a)

A rectangular form layout similar to FIG. 4, but with a vertical rectangular bar positioned to the right of the 'TERM' box. Reference numeral '28' points to the right side of the form, and '30' points to the vertical bar. '26' points to the 'TERM' box.

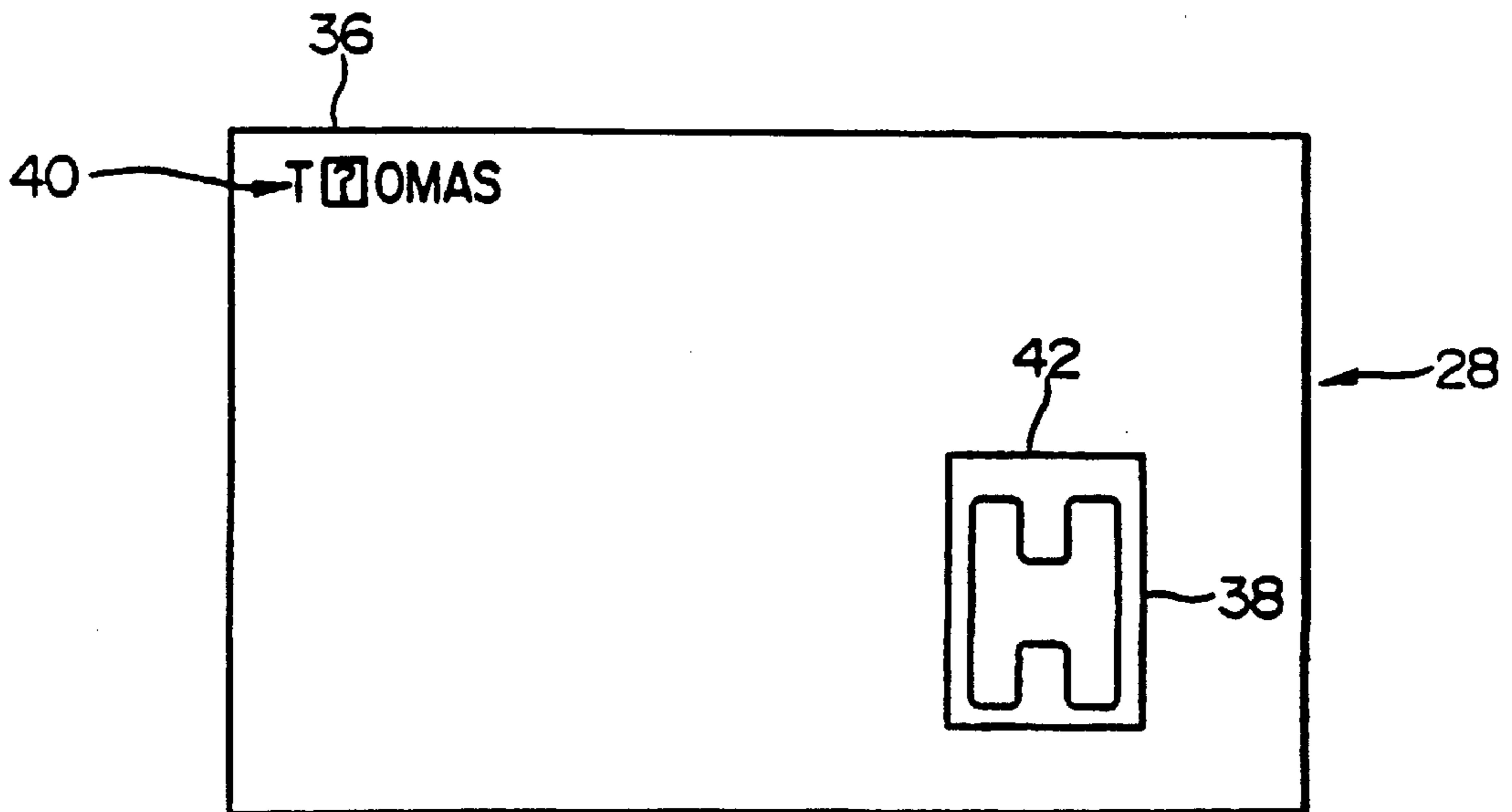
FIG. 5(b)

A rectangular form layout similar to FIG. 4, but with a complex control element consisting of a central box (32) and two side boxes (34) positioned above the 'TERM' box. Reference numeral '28' points to the right side of the form, and '26' points to the 'TERM' box. An arrow points from FIG. 5(a) down to FIG. 5(b).

FIG. 6

COORDI- NATE Y	COORDI- NATE X	NUMBER OF DISPLAY DIGITS	FIELD POINT
•	•	•	•

FIG. 7



CHARACTER READER AND RECOGNIZER WITH A SPECIALIZED EDITING FUNCTION

Matter enclosed in heavy brackets [] appears in the original patent but forms no part of this reissue specification; matter printed in italics indicates the additions made by reissue.

The present application claims priority of Japanese Patent Application No. 62-314349 filed on Dec. 11, 1987 and is a continuation of 07/232,189 filed Aug. 15, 1988 now U.S. Pat. No. 5,025,484.

FIELD OF THE INVENTION AND RELATED ART STATEMENT

The present invention relates to a character reader device.

Various fields of business, heretofore, have employed a character reader device for optically scanning a manuscript, having a given read field for reading characters written in the field.

This type of character reader device (see FIG. 7) normally performs a reject process of specifying as a reject character 36, a character not achieving to a given level of clearness by reading data 42 of a read field including the reject character 36, displaying on a given area 42 of a display screen 28 a pattern image 38 of the reject character 36, deciding a correct image of the reject character (36 depending upon the comparison between the read data 40 and the pattern image 38) and modifying the reject character 36 into the correct image.

In general, this type of reject process required a system of displaying on the display screen 28 the read data in each read field including a reject character. More recently, however, for more accurate reading, the reject process has changed to a system of displaying on the screen the read data in all the read fields of a manuscript at a time.

The system of displaying on the screen the read data in all the read fields of a manuscript at a time may, however, overlap an area for displaying a given pattern image with an area for displaying the read field including a reject character. The overlapped area is hidden behind the display area of a pattern area, so that it is difficult to maintain the excellent condition in modifying a reject character.

OBJECT AND SUMMARY OF THE INVENTION

The present invention is designed to overcome the foregoing disadvantage, and it is an object of the present invention to provide a character reader device which serves to prevent the disadvantage in modifying a reject character which is caused when the area for displaying a pattern image of a reject character is overlapped with the area for displaying the read data of a read including the reject character in order to modify the reject character more efficiently.

The character reader device of the present invention comprises a reading means for reading as read data characters written in a given read field on a manuscript, a reject character-detecting means for detecting a reject character in the read data, a pattern image generating means for generating a pattern image of the reject character, a display means for displaying the read image, the reject character and the pattern image, a position computing means for computing the position of an area for displaying the read data on the display means, a decision means for deciding whether or not the area computed in the display means is overlapped with an area for displaying the pattern image on the display means and a pattern image shifting and displaying means for

shifting the area for displaying the pattern image to the outside of the area for displaying the read data when the decision means decides it is overlapped, and therefore is capable of preventing a disadvantage in modifying a reject character when the area for displaying a pattern image of the reject character is overlapped with the area for displaying the read of the read field including the reject character by virtue of shifting the area for displaying the pattern image for the purpose of modifying the reject character more efficiently.

BRIEF DESCRIPTION OF THE DRAWINGS

FIG. 1 is a block diagram for describing an arrangement of one embodiment of a character reader device according to the present invention;

FIG. 2 is a view showing module arrangement of a control program used in case of the reject process in the character reader device shown in FIG. 1;

FIG. 3 is a flowchart showing the flow of the reject process in the character reader device shown in FIG. 1;

FIG. 4 is a plan view showing a manuscript;

FIG. 5 (a) and (b) are plan views showing the change of a content displayed on a display screen by the reject process shown in FIG. 3;

FIG. 6 is a view showing the information required to compute an area for displaying a read field; and

FIG. 7 is a plan view showing the content of the display provided in executing the conventional reject process.

DETAILED DESCRIPTION OF THE PREFERRED EMBODIMENT

An embodiment of the present invention will be described below with reference to the drawings.

FIG. 1 is a block diagram showing an arrangement of the character reader device of one embodiment according to the present invention.

A scanner 2 optically scans a manuscript 24 with read fields set (see FIG. 4) line by line so as to obtain a character image signal corresponding to the read data of the manuscript. An OCR (Optical Character Reader) 4 temporarily saves the read data corresponding to one line of the manuscript 24 read by the scanner 2 and then cuts out the read data character by character. Then, the OCR 4 recognizes a character corresponding to the cut out data for obtaining a character code.

A CRT (Cathode Ray Tube) 6 includes a display screen 28 (see FIG. 5) for displaying the read data of all read fields of the manuscript 24 and a pattern image of a reject character, if a reject occurs during the character reading of the manuscript 24, on each given display area. A keyboard 8 is used for input to a character reader device.

A RAM (Random Access Memory) 10 temporarily stores the read data of the read field displayed on a given display area within the display screen 28 of the CRT 6.

A memory 12 is provided with a given program already stored in an HD (Hard Disk) 14 for controlling the overall device. A CPU (Central Processing Unit) 16 controls the overall device in accordance with the given program stored in the memory 12.

The device disclosed according to this embodiment includes the program executed by the CPU 16 to perform the reject process, which will be described later.

FIG. 2 is a view showing execution program arrangement for the reject process done in the device of the embodiment.

If a reject occurs, position computing module 18 computes the display position of the read field including the rejected character on the display screen. A decision module 20 decides whether or not the display area for the read data of the read field computed in the position computing module 18 is overlapped with a first display area for a pattern image of a reject character predefined on the program. A pattern image shifting and displaying module 22 shifts the pattern image of the reject character from the first display area to a second display area which is outside of the display area for the read data of a read field including a reject character if the decision module 20 decides it is overlapped.

Next, the operation of the device of this embodiment will be described with reference to FIGS. 3 through 6.

FIG. 3 is a flowchart showing the reject process done in the character reader device. FIG. 4 is a plan view showing the manuscript 24. FIGS. 5 (a) and (b) are views showing the change of the display screen 28 on the CRT 6 which change is done by the reject process shown in FIG. 3.

In this embodiment, the scanner 2 scans the manuscript 24 so as to obtain the read data (character image signal) of the characters in each read field on the manuscript 24. Then, the scanner 2 outputs the data to the OCR 4, which recognizes the characters one by one and generates character codes corresponding to the result of recognition.

If there occurs a logical error or a reject character in the read field 26 on the manuscript 24 (step 301), the CPU 16 computes the display position on the screen display 28 of the read field 26 including the reject character (step 302). The display position of the read field including a reject character can be, as shown in FIG. 6, computed on the basis of some factors such as an initial point coordinate (x/y coordinate) of the read field and the number of display digits, which are pre-defined on a format control table or computed immediately before reading the manuscript.

Next, the decision module 20 decodes whether or not the display position of the read field computed in the position computing module 18 overlaps the present first display area 30 for a pattern image (step 303).

If the decision module 20 decides it is overlapped as shown in FIG. 5 (a), the CPU 16 commands the pattern image shifting and displaying modules 22 to shift the pattern image of the reject character to a second display area 32 which is outside of display area of the read field 26 (step 304). And, in order to secure the read data of a read field 34 which has been already displayed on the second display area 32 on the display screen 28, the read data is temporarily stored in the RAM 10 for saving the screen (step 305). Upon completion of saving the screen, the pattern image of the reject character is shifted and displayed on the second display area 32 (step 306).

Then, an operator should decide the correct data of the reject character by analyzing the read data of the read field 26 including the reject character with the pattern image of the reject character, moving the cursor to the position of the reject character on the display screen 28 using a keyboard 8 (step 307), and entering the modified data of the reject character for display of the input modified data (step 308).

Finally, the reject process re-displays the read data of the read field 34 stored in the RAM 10 (step 309). This is the overall reject process.

Accordingly, the character reader device of this embodiment can shift the display area for a pattern image from the display area 30 to the area 32 on the display screen 28 if the display area 30 for a pattern image of a reject character is overlapped with the display area for the read data of the read field 26 including the reject character. The device, therefore, is capable of overcoming a disadvantage in modifying a reject character which disadvantage is caused if the display area 30 is overlapped with the display area for the read data of the read field 26 including a reject character and, thus, modifying the reject character more efficiently.

In addition, the display area 32 to which the pattern image is shifted may be optionally modified in accordance with the kind of a manuscript.

What is claimed is:

1. A character reading apparatus for processing an input data sheet including character data, comprising:

reading means for scanning the input data sheet and for photoelectrically converting the scanned input data sheet to image data;

image storing means for storing the image data;

character recognizing means for [comparing the image data stored in said image storing means with pre-stored known image data and determining whether results of the comparison exceed a predetermined level, wherein said image data having the comparison result exceeding the predetermined level are output as] *outputting* recognized character data, and [said image data having the comparison result failing to meet the predetermined level are output as] *for detecting and outputting* a reject character;

display means for displaying the recognized character data, an indicator mark in place of the reject character, and the reject character at predetermined positions on said display means, respectively, the reject character being displayed in a form of the image data stored in the image storing means;

display control means for displaying the reject character at a different predetermined position on the display means when the reject character overlaps the character data containing the reject character; and

reject character modifying means for modifying the reject character to a correct character.

2. The character reading apparatus according to claim 1, further comprising image disposing means for extracting a specific area from the image data in the image storing means, the specific area being an area comprising a character to be extracted.

3. The character reading apparatus according to claim 1, further comprising image disposing means for extracting a specific area from the image data from the image storing means, the specific area being an area including a word having a character to be extracted.

* * * * *