



US00RE36571E

United States Patent [19]

[11] E

Patent Number: **Re. 36,571**

Rozman

[45] **Reissued Date of Patent: *Feb. 15, 2000**

[54] **LOW LOSS SYNCHRONOUS RECTIFIER FOR APPLICATION TO CLAMPED-MODE POWER CONVERTERS**

[75] Inventor: **Allen Frank Rozman**, Richardson, Tex.

[73] Assignee: **Lucent Technologies Inc.**, Murray Hill, N.J.

[*] Notice: This patent is subject to a terminal disclaimer.

[21] Appl. No.: **09/039,106**

[22] Filed: **Mar. 13, 1998**

Related U.S. Patent Documents

Reissue of:

[64] Patent No.: **5,528,482**
Issued: **Jun. 18, 1996**
Appl. No.: **08/225,027**
Filed: **Apr. 8, 1994**

U.S. Applications:

[63] Continuation of application No. 08/054,918, Apr. 29, 1993, Pat. No. 5,303,138.

[51] **Int. Cl.**⁷ **H02M 7/217**

[52] **U.S. Cl.** **363/21; 363/20; 363/89; 327/309**

[58] **Field of Search** **363/20, 21, 89, 363/97, 126, 127; 327/309**

[56] **References Cited**

U.S. PATENT DOCUMENTS

3,989,995 11/1976 Peterson 321/2
4,441,146 4/1984 Vinciarelli 363/20
4,618,919 10/1986 Martin, Jr. 363/21
4,716,514 12/1987 Patel 363/127
4,788,634 11/1988 Schlecht et al. 363/21

(List continued on next page.)

FOREIGN PATENT DOCUMENTS

0 058 400 A2 8/1982 European Pat. Off. H02M 3/325
0 289 196 A2 11/1988 European Pat. Off. H02M 3/337

0 428 377 A2 5/1991 European Pat. Off. H02M 3/335
0 474 471 A2 3/1992 European Pat. Off. H02M 3/335
0 508 664 A1 10/1992 European Pat. Off. H02M 3/337
892614 8/1981 U.S.S.R. H02M 3/28
WO 83/02858 8/1983 WIPO H02M 1/18
WO 89/08347 9/1989 WIPO H02M 3/337

OTHER PUBLICATIONS

“A Mosfet Resonant Synchronous Rectifier for High-Frequency DC/DC Converters” by Wojciech A. Tabisz, Fred C. Lee and Dan Y. Chen; 1990 IEEE; pp. 769–779.

“Constant Frequency, Forward Converter with Resonant Transition” by Ionel Dan Jitaru; HFPC; Jun. 1991 Proceedings; pp. 282–293.

“Practical Application of Mosfet Synchronous Rectifiers” by James Blanc; 1991 IEEE; pp. 495–501.

“Study of the Applicability of Self-Driven Synchronous Rectification to Resonant Topologies” by J.A. Cobos, J. Sebastian, J. Uceda, E. de la Cruz, and J.M. Gras; 1992 IEEE; pp. 933–940.

“A Simple and Efficient Synchronous Rectifier for Forward DC–DC Converters” by N. Murakami, H. Namiki, K. Sakakibara and T. Yachi; 1993 IEEE; pp. 463–468.

“5.6 Mosfets Move In On Low Voltage Rectification (TA84–2)” 1984; pp. 5–69–5–86.

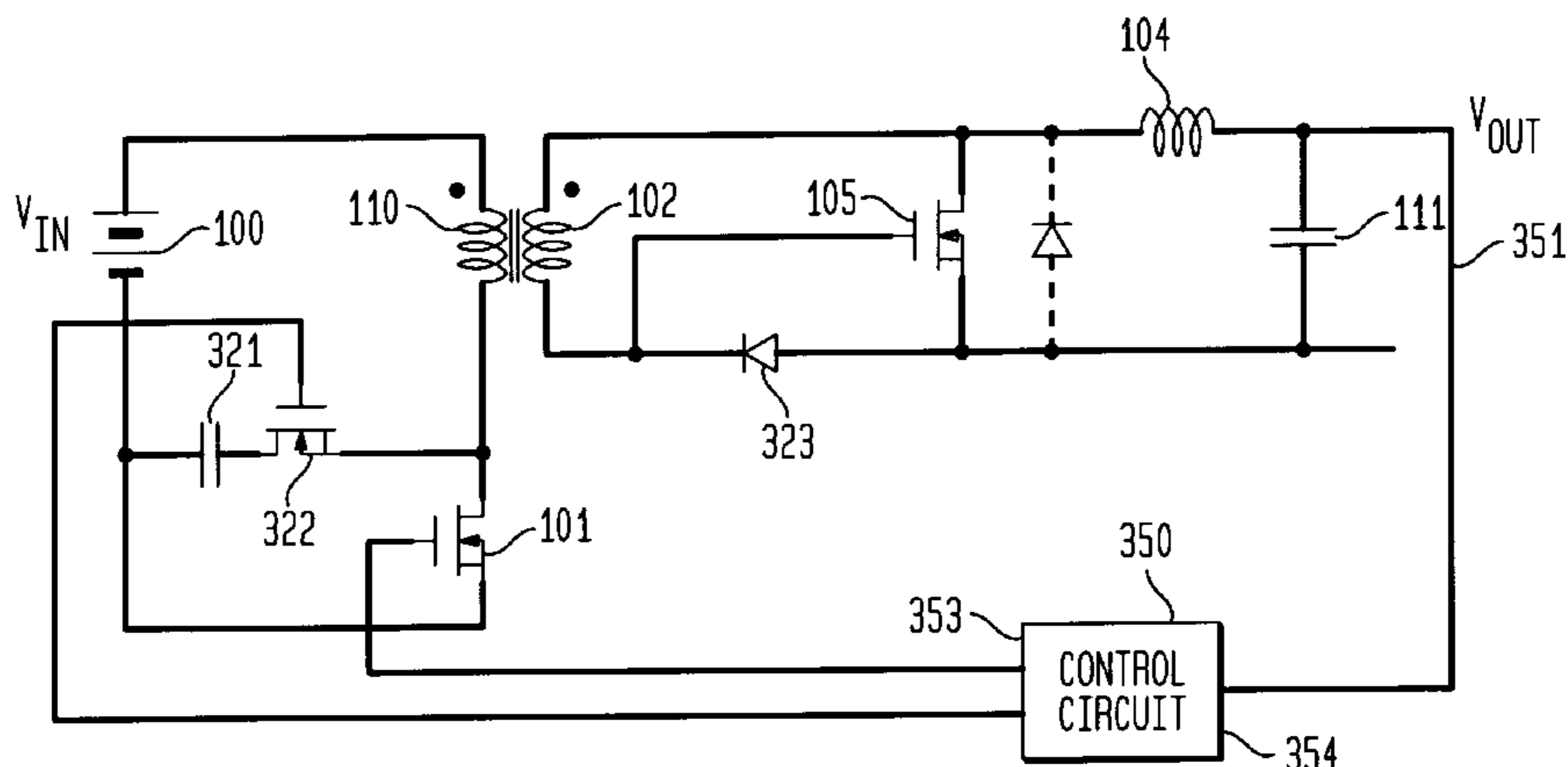
(List continued on next page.)

Primary Examiner—Shawn Riley

[57] **ABSTRACT**

A synchronous rectifier for use with a clamped-mode power converter uses in one embodiment a hybrid rectifier with a MOSFET rectifying device active in one first cyclic interval of the conduction/nonconduction sequence of the power switch and a second rectifying device embodied in one illustrative embodiment as a low voltage bipolar diode rectifying device active during an alternative interval to the first conduction/nonconduction interval. The gate drive to the MOSFET device is continuous at a constant level for substantially all of the second interval which enhances efficiency of the rectifier. The bipolar rectifier device may also be embodied as a MOSFET device. The subject rectifier may be used in both forward and flyback power converters.

60 Claims, 4 Drawing Sheets



U.S. PATENT DOCUMENTS

4,809,148	2/1989	Barn	363/20
4,857,822	8/1989	Tabisz et al.	323/282
4,870,555	9/1989	White	363/21
4,903,189	2/1990	Ngo et al.	363/127
4,931,716	6/1990	Jovanovic et al.	323/285
4,959,764	9/1990	Bassett	363/16
4,975,821	12/1990	Lethellier	363/21
5,066,900	11/1991	Bassett	323/224
5,099,406	3/1992	Harada et al.	363/20
5,126,651	6/1992	Gauen	323/222
5,126,931	6/1992	Jitaru	363/21
5,179,512	1/1993	Fisher et al.	363/127
5,231,563	7/1993	Jitaru	363/98
5,268,830	12/1993	Loftus, Jr.	363/17
5,274,543	12/1993	Loftus, Jr.	363/127
5,282,123	1/1994	Boylan et al.	363/21
5,291,382	3/1994	Cohen	363/16
5,303,138	4/1994	Rozman	363/21
5,353,212	10/1994	Loftus, Jr.	363/17
5,434,768	7/1995	Jitaru et al.	363/21
5,535,112	7/1996	Lopez et al.	363/20
5,541,828	7/1996	Rozman	363/21

OTHER PUBLICATIONS

“Improving Power Supply Efficiency with Mosfet Synchronous Rectifiers” by Richard S. Kagan and Min-hwa Chi; Power Concepts, Inc. 1982; pp. 1–5.
 APEC '92 publication entitled “A New High Frequency, Zero-Voltage Switched, PWM Converter” by Ionel Dan Jitaru; 1992 IEEE; pp. 657–664.

“Design Techniques for Transformer Active Reset Circuits at High Frequencies and Power Levels” by Bruce Carsten; HFPC—May 1990 Proceedings; pp. 235–246.

“5.6.1 Using Power MOSFETs as High-Efficiency Synchronous and Bridge Rectifiers in Switch-Mode Power Supplies (TA83-1)”; 1984; pp. 5–87–5–94.

“High Power SMPS Require Intrinsic Reliability” by Bruce Carsten; PCI 1981 Proceedings; pp. 118–133.

“High-Frequency High-Density Converters for Distributed Power Supply Systems” by John G. Kassakian and Martin F. Schlecht; 1988 IEEE; 15 pages.

“Power Mosfet for Switching Regulator” by S. Ikeda, Y. Usanaga, H. Yoshida; 1982 IEEE; pp. 212–215.

“High Power and High Switching Frequency DC-to-DC Converter using Saturable Inductor Commutation and Switched Snubber” by Koosuke Harada and Hiroshi Sakamoto; 1991 IEEE; pp. 148–154.

“Principles of Solid-State Power Conversion” by Ralph E. Tarter; 1985; pp. 544–547.

“Buck Quasi-Resonant Converter Operating at Constant Frequency; Analysis, Design and Experimentation” by Ivo Barbi, J.C. Bolacell, D.C. Martins, F.B. Libano; 1989 IEEE; pp. 873–880.

“Current Controlled Synchronous Rectification”, by B. Acker, C. Cir Sullivan, S.R. Sanders, IEEE pp. 185–181, May 1994.

“High Efficiency DC-DC Converter” by I.D. Jitaru, Gicocina, IEEE, pp. 638–644 May 1994.

FIG. 1
(PRIOR ART)

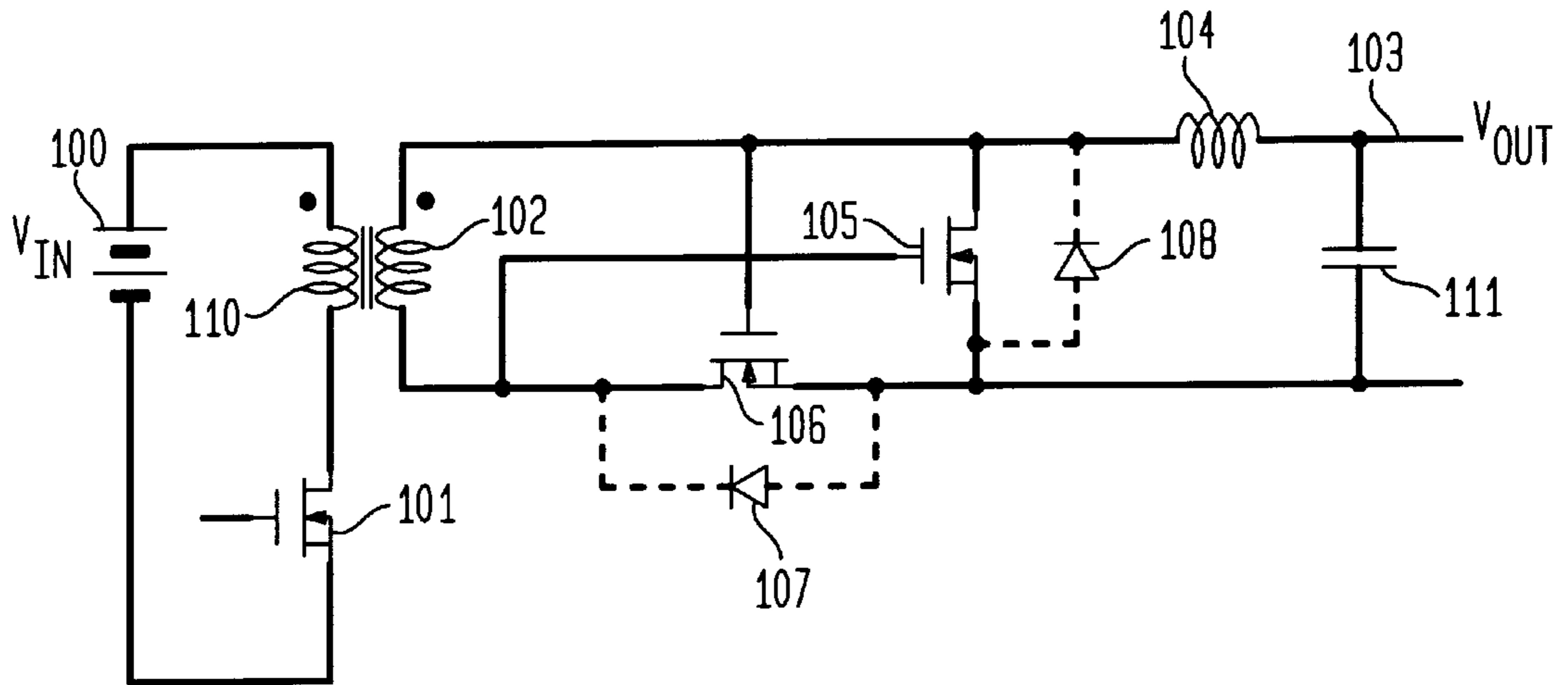


FIG. 2
(PRIOR ART)

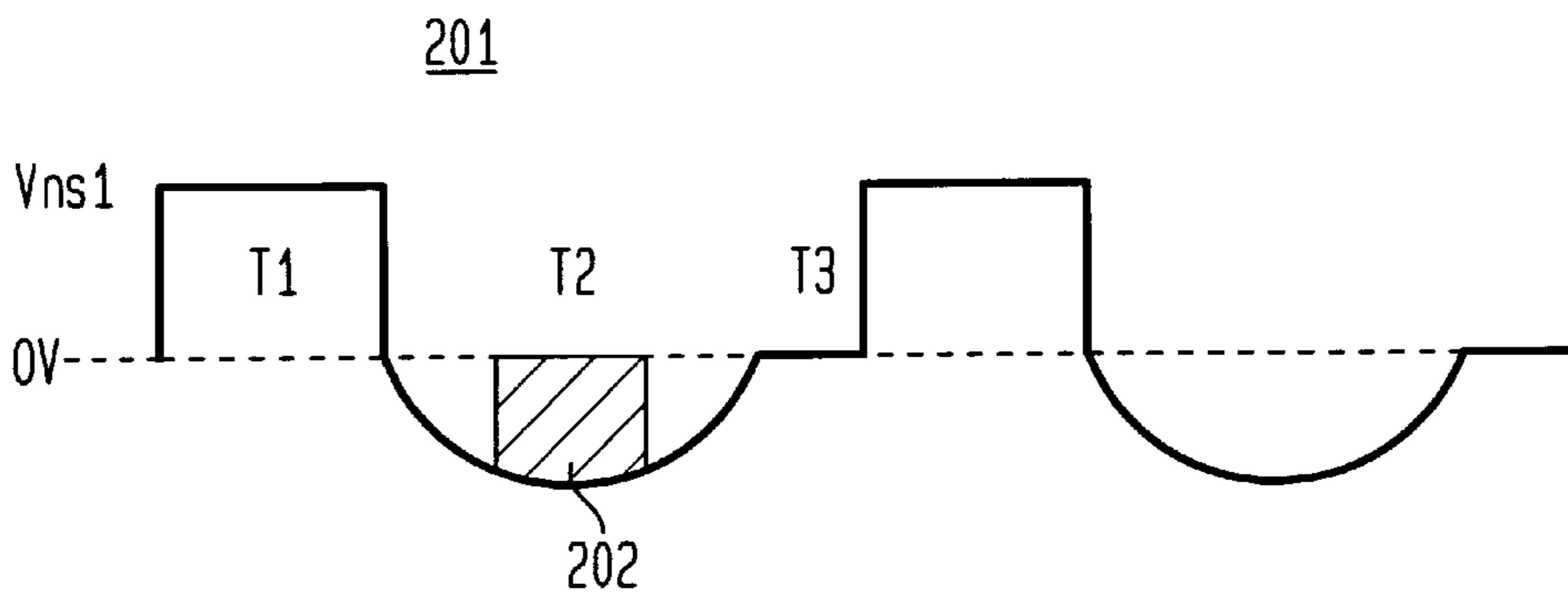


FIG. 3

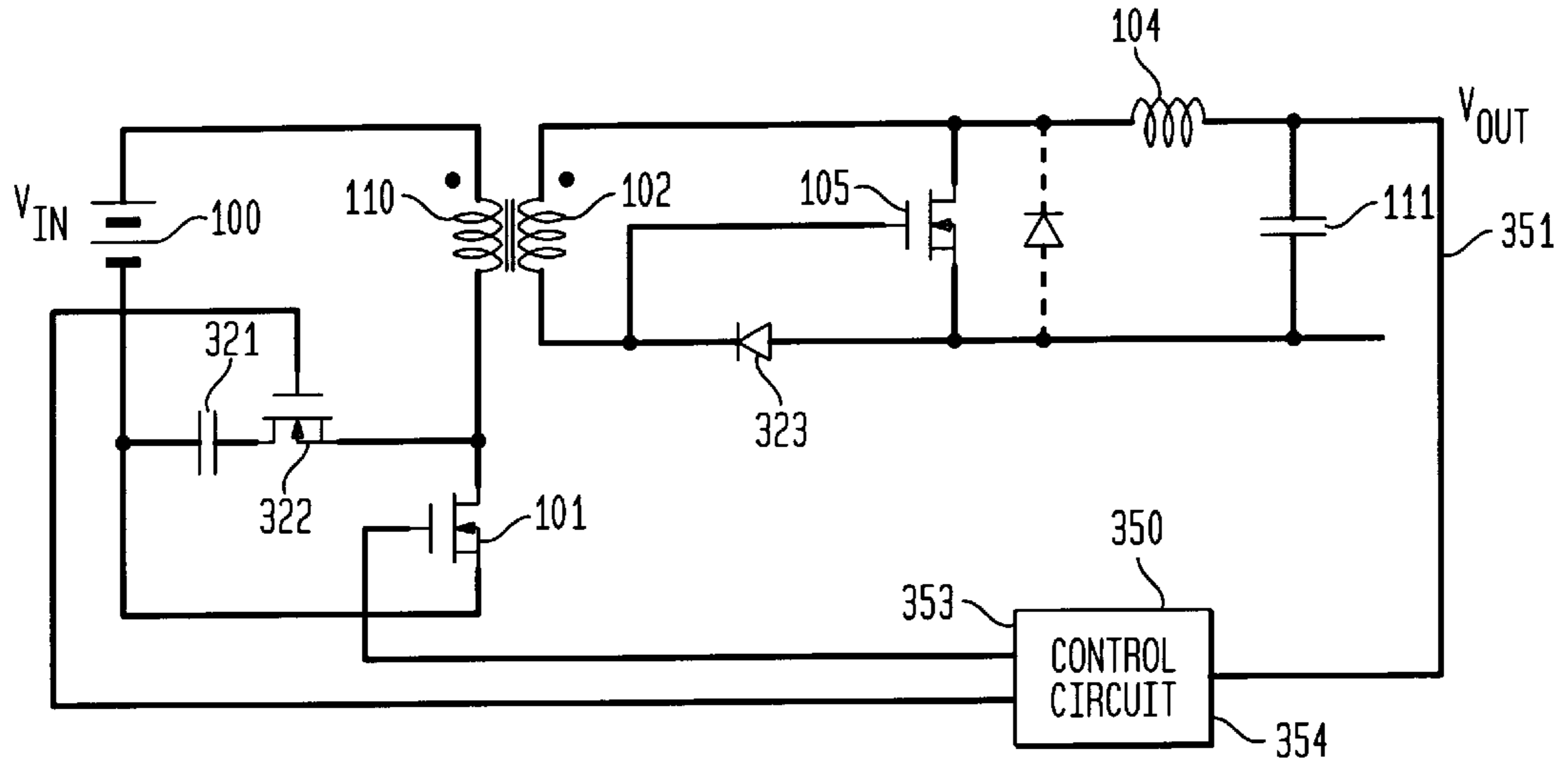


FIG. 4

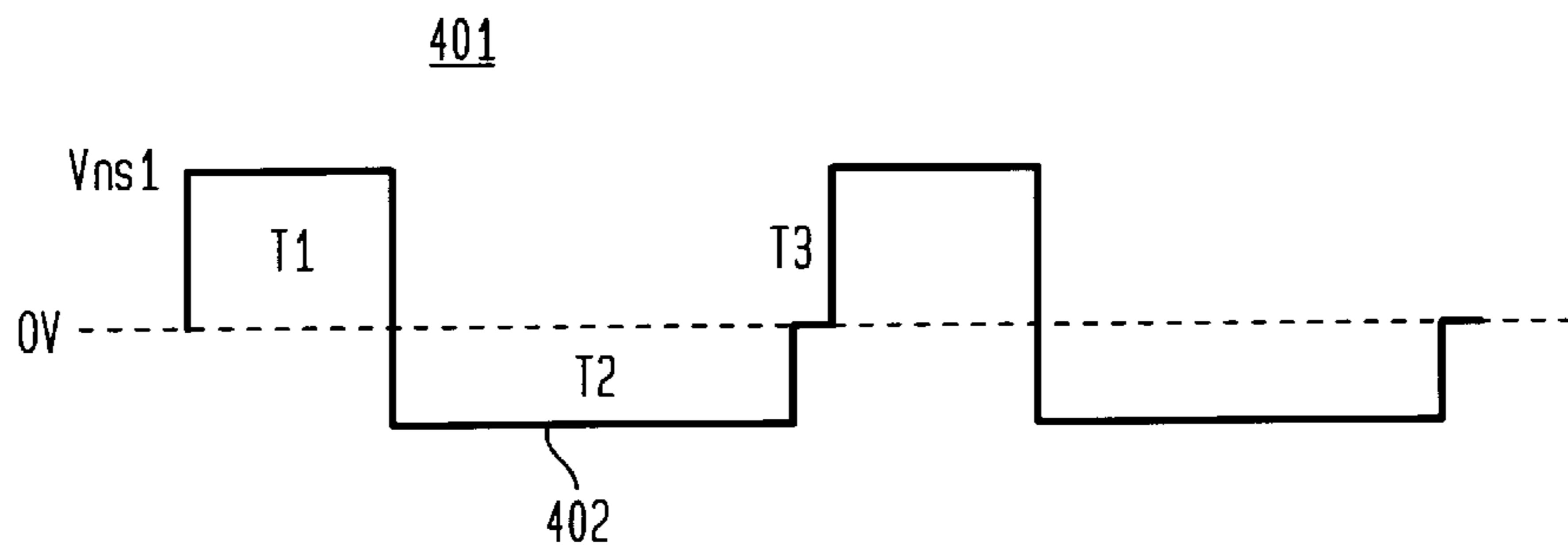


FIG. 5

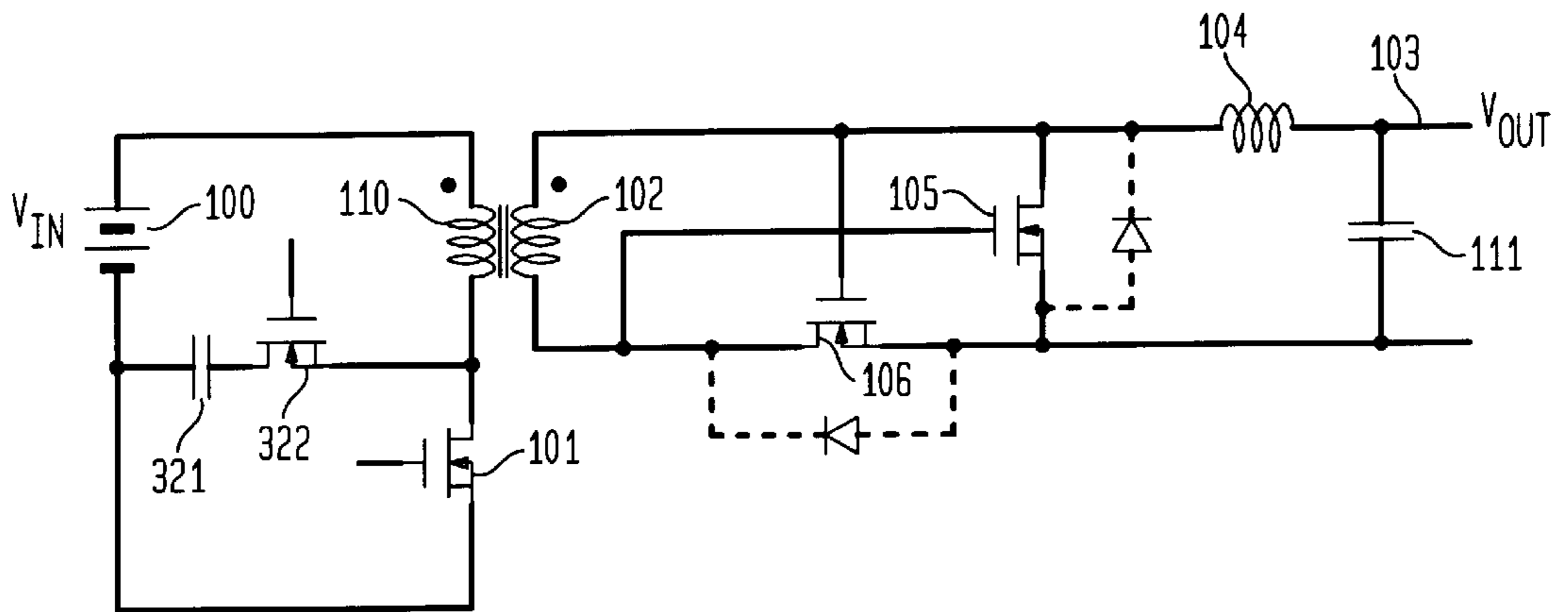


FIG. 6

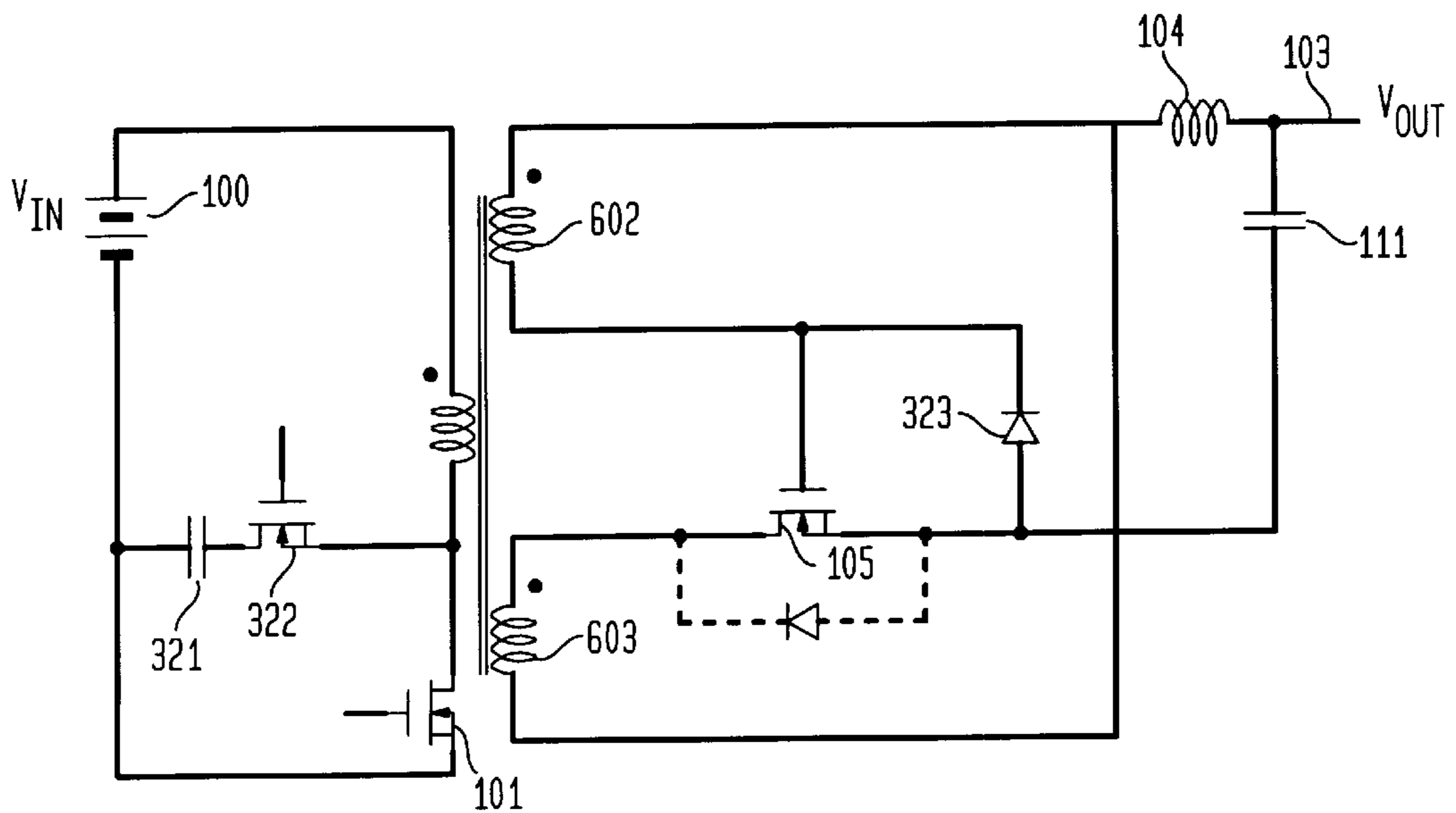


FIG. 7

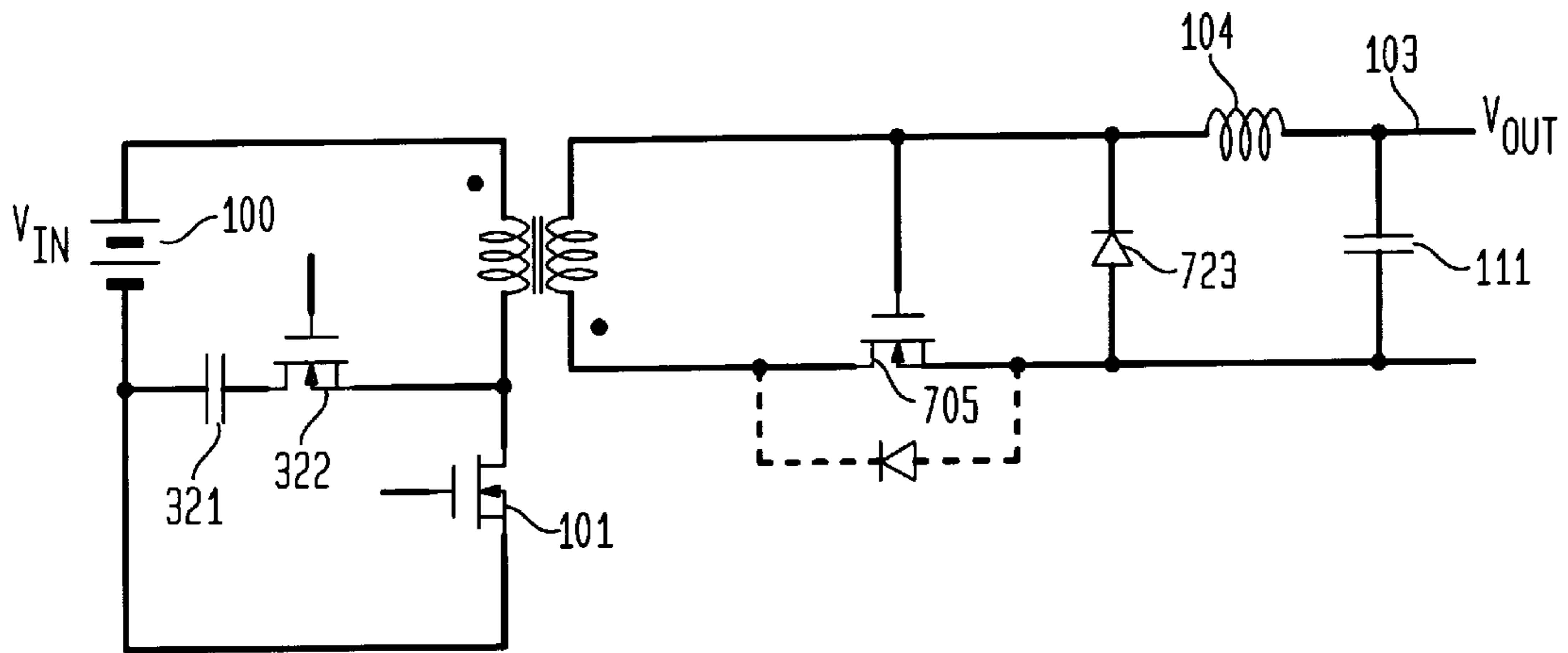
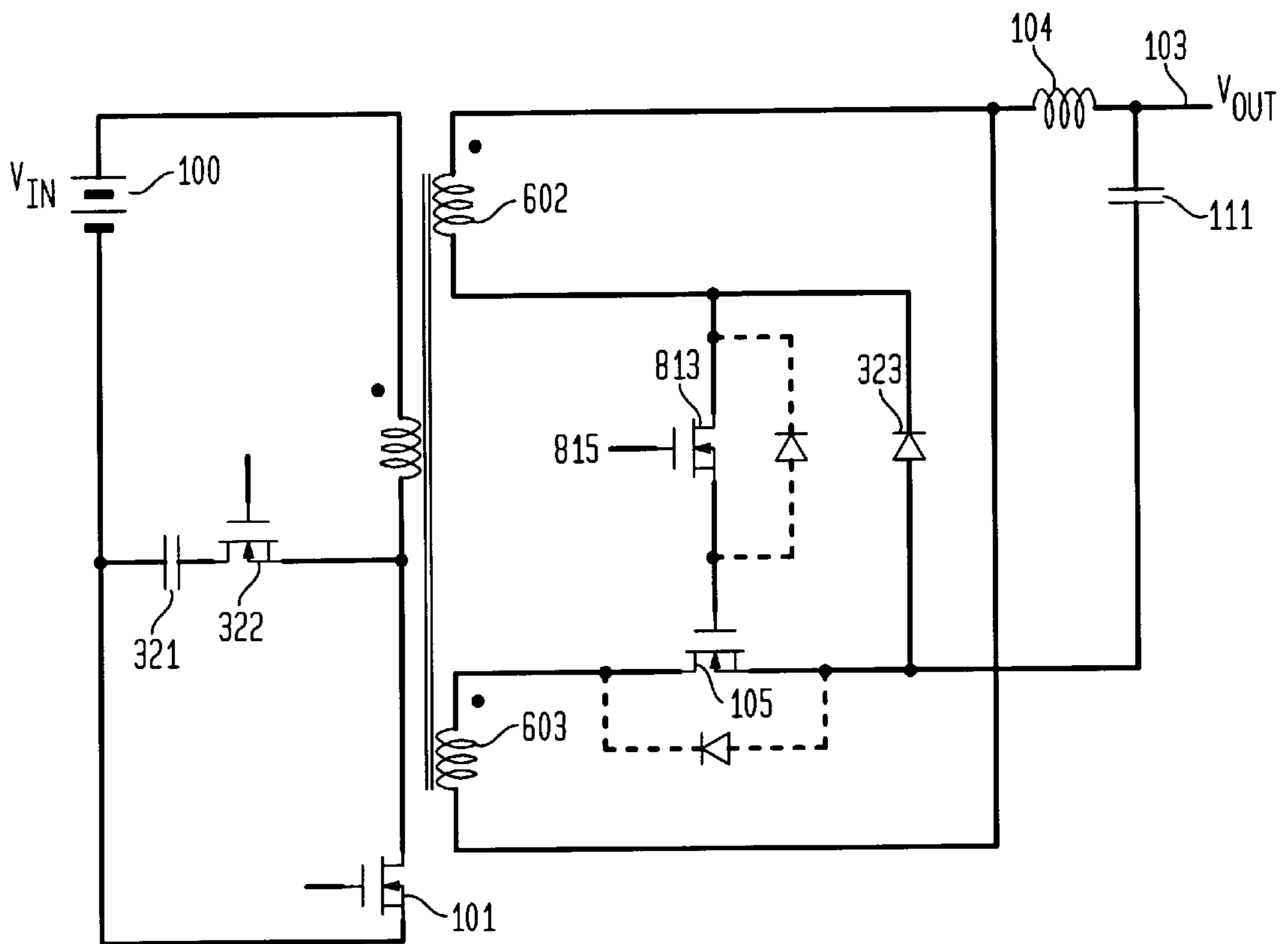


FIG. 8



LOW LOSS SYNCHRONOUS RECTIFIER FOR APPLICATION TO CLAMPED-MODE POWER CONVERTERS

Matter enclosed in heavy brackets [] appears in the original patent but forms no part of this reissue specification; matter printed in italics indicates the additions made by reissue.

This application is a [continuation in part] *reissue of Ser. No. 08/225,027 filed Apr. 8, 1994 U.S. Pat. No. 5,528,482 and a continuation of application Ser. No. 08/054,918 filed on Apr. 29, 1993 now issued as U.S. Pat. No. 5,303,138 on Apr. 12, 1994.*

FIELD OF THE INVENTION

This invention relates to switching type power converters and in particular to forward and flyback converters having a clamp-mode topology.

BACKGROUND OF THE INVENTION

Self synchronized rectifiers refer to rectifiers using MOSFET rectifying devices having control terminals which are driven by voltages of the windings of the power transformer in order to provide the rectification of the output of the transformer. Use of synchronous rectifiers has been limited however by the inefficiency of these rectifiers in buck derived converter topologies. Efficiency is limited due to the nature of switching of buck derived converters (i.e. buck, buck-boost, boost converters including forward and flyback topologies) and due to the variability of the transformer reset voltages in the forward type converters. This variability of reset voltage limits the conduction time of one of the MOSFET rectifiers, diminishing the effectiveness and efficiency of the rectifier. This is because the rectifying devices do not conduct for the full switching period and the gate drive energy of one of the rectifiers is dissipated.

SUMMARY OF THE INVENTION

A synchronous rectifiers is combined with a clamped-mode buck derived power converter. In one illustrative embodiment a hybrid rectifier includes a MOSFET rectifying device active in a first cyclic interval of the conduction/nonconduction sequence of the power switch. A second rectifying device embodied in one illustrative embodiment as a low forward voltage drop bipolar diode rectifying device is active during an alternative interval to the first conduction/nonconduction interval. The gate drive to the MOSFET device is maintained continuous at a constant level for substantially the all of the second interval by the clamping action of the clamping circuitry of the converter. This continuous drive enhances the efficiency of the rectifier.

The bipolar rectifier device may also embodied as a MOSFET device in a rectifier using two MOSFET devices. The subject rectifier may be used in both forward and flyback power converters.

BRIEF DESCRIPTION OF THE DRAWING

FIG. 1 is a schematic of a forward converter, of the prior art, having a synchronous rectifier;

FIG. 2 is a voltage waveform of the secondary transformer winding of the converter of FIG. 1;

FIG. 3 is a schematic of a clamped-mode forward converter with a synchronous rectifier embodying the principles of the invention;

FIG. 4 is a voltage waveform of the secondary transformer winding of the converter of FIG. 3;

FIG. 5 is a schematic of another version of a clamped-mode forward converter with a synchronous rectifier embodying the principles of the invention;

FIG. 6 is a schematic of another version of a clamped-mode forward converter with a synchronous rectifier and a center tapped secondary winding embodying the principles of the invention;

FIG. 7 is a schematic of a clamped-mode flyback converter with a synchronous rectifier embodying the principles of the invention; and

FIG. 8 is a schematic of another version of a clamped-mode forward converter with a synchronous rectifier and a center tapped secondary winding embodying the principles of the invention.

DETAILED DESCRIPTION

In the converter shown in the FIG. 1, a conventional forward topology of the prior art with an isolating power transformer is combined with a self synchronized synchronous rectifier. In such a rectifier controlled devices are used with the control terminals being driven by an output winding of the power transformer.

A DC voltage input V_{in} , at input 100, is connected to the primary winding 110 of the power transformer by a MOSFET power switch 101. The secondary winding 102 is connected to an output lead 103 through an output filter inductor 104 and a synchronous rectifier including the MOSFET rectifying devices 105 and 106. Each rectifying device includes a body diode 108 and 107, respectively.

With the power switch 101 conducting, the input voltage is applied across the primary winding 110. The secondary winding 102 is oriented in polarity to respond to the primary voltage with a current flow through the inductor 104, the load connected to output lead 103 and back through the MOSFET rectifier 106 to the secondary winding 102. Continuity of current flow in the inductor 104, when the power switch 101 is non-conducting, is maintained by the current path provided by the conduction of the MOSFET rectifier 105. An output filter capacitor 111 shunts the output of the converter.

Conductivity of the MOSFET rectifiers is controlled by the gate drive signals provided by the voltage appearing across the secondary winding 102. This voltage is shown graphically by the voltage waveform 201 in FIG. 2. During the conduction interval T_1 of the power switch 101, the secondary winding voltage V_{ns1} charges the gate of MOSFET 106 to bias it conducting for the entire interval T_1 . The MOSFET 105 is biased non conducting during the T_1 interval. The conducting MOSFET rectifying device 106 provides the current path allowing energy transfer to the output during the interval T_1 . The gate of MOSFET rectifier 106 is charged in response to the input voltage V_{in} . All of the gate drive energy due to this voltage is dissipated.

As the power MOSFET switch 101 turns off, the voltage V_{ns1} across the secondary winding 102 reverses polarity just as the time interval T_2 begins. This voltage reversal initiates a reset of the transformer magnetizing inductance, resonantly discharges the gate of MOSFET rectifier 106 and begins charging the gate of MOSFET rectifier 105. As shown by the voltage waveform of FIG. 2, the voltage across the secondary winding 102 is not a constant value, but is rather a variable voltage that collapses to zero in the subsequent time interval T_3 , which occurs prior to the subsequent conduction interval of the power switch 101. This voltage is operative to actually drive the rectifier 105 conducting over only a portion of the time interval T_2 which is

indicated by the cross hatched area **202** associated with the waveform **201** in FIG. 2. This substantially diminishes the performance of the rectifier **105** as a low loss rectifier device. This is aggravated by the fact that the body diode **108** of the rectifier **105** has a large forward voltage drop which is too large to efficiently carry the load current.

The loss of efficiency of the synchronous rectifier limits the overall efficiency of the power converter and has an adverse effect on the possible power density attainable. Since the synchronous rectifier **105** does not continuously conduct throughout the entire switching period, a conventional rectifier diode (e.g. connected in shunt with rectifier **105**) capable of carrying the load current is required in addition to MOSFET rectifier **105**. This inefficiency is further aggravated by the gate drive energy dissipation associated with the MOSFET rectifier **106**. This gate drive loss may exceed the conduction loss for MOSFET rectifier **106**, at high switching frequency (e.g. >300 kHz).

The efficiency of a forward converter with synchronous rectification is significantly improved according to the invention by using a clamp circuit arrangement to limit the reset voltage and by using a low forward voltage drop diode in the rectifying circuitry. Such an arrangement is shown in the schematic of FIG. 3. In this forward power converter the power MOSFET device **101** is shunted by a series connection of a clamp capacitor **321** and a MOSFET switch device **322**. The conducting intervals of power switch **101** and MOSFET device **322** are mutually exclusive. The duty cycle of power switch **101** is D and the duty cycle of MOSFET device **322** is 1-D. The voltage inertia of the capacitor **321** limits the amplitude of the reset voltage appearing across the magnetizing inductance during the non conducting interval of the MOSFET power switch **101**.

The diode **323** of the synchronous rectifier, shown in FIG. 3, has been substituted for the MOSFET device **106** shown in the FIG. 1. Due to the dissipation of gate drive energy the overall contribution of the MOSFET rectifier **106** in FIG. 1 is limited. The clamping action of the clamping circuitry results in the constant voltage level **402** shown in the voltage waveform **401**, across the secondary winding **102**, in the time period T_2 . This constant voltage applied to the gate drive of the MOSFET rectifier **105** drives it into conduction for the entire T_2 reset interval. In this arrangement there is no need for a bipolar or a body diode shunting the MOSFET rectifier **105**. An advantage in the clamped mode converter is that the peak inverse voltage applied to the diode **323** is much less than that applied to the similarly positioned MOSFET device in FIG. 1. Accordingly the diode **323** may be a very efficient low voltage diode which may be embodied by a low voltage diode normally considered unsuitable for rectification purposes.

In the operation of the clamped mode forward converter the MOSFET switch **322** is turned off just prior to turning the MOSFET power switch on. Energy stored in the parasitic capacitances of the MOSFET switching devices **101** and **322** is commutated to the leakage inductance of the power transformer, discharging the capacitance down toward zero voltage. During the time interval T_3 shown in FIG. 4, voltage across the primary winding is supported by the leakage inductance. The voltage across the secondary winding **102** drops to zero value as shown in the FIG. 4. With this zero voltage level of the secondary winding, the output inductor resonantly discharges the gate capacitance of the MOSFET rectifying device **105** and eventually forward biases the bipolar diode **323**. The delay time T_3 is a fixed design parameter and is a factor in the control of the power switches **101** and **322**, which may be switched to accommodate soft

waveforms. This synchronous rectification circuit of FIG. 3 provides the desired efficiencies lacking in the arrangement of the circuit shown in FIG. 1.

Control of the conductivity of the power switching devices **101** and **322** is by means of a control circuit **350**, which is connected, by lead **351**, to an output terminal **103** of the converter to sense the output terminal voltage. The control circuit **350** is connected, by leads **353** and **354**, to the drive terminals of the power switches **101** and **322**. The drive signals are controlled to regulate the output voltage at output terminal. The exact design of a control circuit, to achieve the desired regulation, is well known in the art and hence is not disclosed in detail herein. This control circuit **350** is suitable for application to the converters of FIGS. 5, 6, 7 and 8.

A modified version of the circuit of FIG. 3 is shown in the circuit schematic of the FIG. 5. The converter of FIG. 5 is a clamped mode forward converter having two gated synchronous rectifying devices **105** and **106**. In this embodiment of the synchronous rectifier the synchronized rectifying device **106** can be used without adversely affecting the converter efficiency at lower operating frequencies.

The circuit of FIG. 6 is a clamped mode forward converter having a rectifier analogous to that of FIG. 3 in using one bipolar rectifying diode. The secondary winding is tapped creating two secondary winding segments **603** and **602**.

The converter of FIG. 7 operates in a flyback mode. The bipolar and synchronous rectifier device are in a reversed connection from the connection of FIG. 3 to accommodate the flyback operation.

In some applications direct application of the gate drive signal directly from the secondary winding may result in voltage spikes exceeding the rating of the gate. A small signal MOSFET device **813** is connected to couple the gate drive to the MOSFET rectifying device **105**. This device may be controlled by the control drive lead **815** to limit the peak voltage applied to the gate of rectifier **105**. The MOSFET synchronous rectifier is then discharged through the body diode of the MOSFET device **813**.

I claim:

1. In a power converter, comprising:

an input for accepting a DC voltage;

a power transformer including a primary and secondary winding;

a power switch for periodically connecting the input to the primary winding;

an output for accepting a load to be energized;

clamping means for limiting a voltage and extending the voltage's duration across the secondary winding at a substantially constant amplitude during substantially an entire extent of a clamping interval of a cyclic period of the power converter;

a rectifier connecting the secondary winding to the output; and including:

a synchronous rectification device with a control terminal connected to be responsive to signal across the secondary winding such that the synchronous rectification device conducts a load current during substantially the entire extent of the clamping interval; and

a rectifying device connected for enabling conduction of the load current during a second interval other than the clamping interval.

2. In a power converter, comprising

an input for accepting a DC voltage;

5

- a power transformer including a primary and secondary winding;
- a power switch for periodically connecting the input to the primary winding during a second interval of a cyclic period;
- an output for accepting a load to be energized;
- clamping means for limiting a voltage and extending the voltage's duration across the secondary winding at a substantially constant amplitude during substantially an entire extent of a clamping interval of a cyclic period of the power converter;
- a rectifier circuit connecting the secondary winding to the output; and including:
- a first synchronous rectification device with a control terminal connected to be responsive to a signal across the secondary winding such that the synchronous rectification device conducts a load current during substantially the entire extent of the clamping interval, and
- a second synchronous rectification device with a control terminal connected to be responsive to a signal across the secondary winding such that the second synchronous rectification device conducts the load current during substantially an entire extent of the second interval other than the clamping interval.
3. In a power converter as claimed in claim 1 or 2, comprising:
- the converter connected to operate as a forward type converter.
4. In a power converter as claimed in claim 1 or 2, comprising:
- the converter connected to operate as a flyback type converter.
5. A switching mode power converter, comprising:
- a power transformer including a magnetizing inductance requiring periodic recycling;
- a first power stage for converting a DC input into a periodic pulsed voltage applied to primary winding of the transformer, including:
- a clamping circuit for limiting a voltage of the transformer during the periodic recycling at a substantially constant amplitude and extending the voltage duration to maintain a constant voltage for substantially an entire extent of periodic recycling;
- a second power stage for rectifying an output of a secondary winding of the transformer and applying it to a load to be energized, including:
- a synchronous rectifier including a first rectifying device with a control gate connected to be responsive to a signal across the secondary winding such that the synchronous rectification device conducts a load current during the periodic recycling when the clamping circuit is active, and
- a second rectifying device connected for enabling conduction of the load current when the first rectifying device is nonconducting.
6. A switching mode power converter as claimed in claim 5, further comprising:
- the second rectifying device comprises a diode.
7. A switching mode power converter as claimed in claim 5, further comprising:
- the second rectifying device comprises a rectifying device with a control gate connected to be responsive to a signal of the secondary winding.
8. A switching mode power converter as claimed in claim 6 or 7, further comprising:

6

- the secondary winding tapped and separated into first and second winding segments, and the first rectifying device is connected to the first winding segment and the second rectifying device is connected to the second winding segment.
9. A switching mode power converter as claimed in claim 6 or 7, further comprising:
- the converter connected to operate as a forward type converter.
10. A switching mode power converter as claimed in claim 6 or 7, further comprising:
- the converter connected to operate as a flyback type converter.
11. A power converter, comprising:
- a power transformer having a plurality of windings;
- a clamping circuit, coupled to said power transformer, that limits a voltage across at least one of said plurality of windings during a clamping interval of said power converter; and
- a synchronous rectification device coupled to said power transformer and having a control terminal responsive to a signal across at least one of said plurality of windings such that said synchronous rectification device is active for substantially all of said clamping interval.
12. The power converter as claimed in claim 11 wherein said clamping circuit is directly connected to said power transformer.
13. The power converter as claimed in claim 11 wherein said clamping circuit is coupled to a primary winding of said power transformer.
14. The power converter as claimed in claim 11 wherein said power transformer has a center-tapped secondary winding.
15. The power converter as claimed in claim 11 further comprising a power switch that connects a primary winding of said power transformer to an input of said power converter during a first cyclic interval of said power converter.
16. The power converter as claimed in claim 11 further comprising a further synchronous rectification device, coupled to said power transformer, that is active during a first cyclic interval of said power converter.
17. The power converter as claimed in claim 11 further comprising a rectification device, coupled to said power transformer, that is active during a first cyclic interval of said power converter.
18. The power converter as claimed in claim 11 wherein said clamping circuit comprises a switching device connected in series with a capacitor.
19. The power converter as claimed in claim 18 further comprising a control circuit that controls said switching device.
20. The power converter as claimed in claim 11 wherein said power converter operates in one of:
- a forward mode,
- a flyback mode, and
- a forward/flyback mode.
21. A power converter, comprising:
- a power transformer having a plurality of windings;
- a synchronous rectification device coupled to at least one of said plurality of windings and having a control terminal; and
- a clamping circuit, coupled to said power transformer, that limits a voltage applied to said control terminal such that said synchronous rectification device is active for substantially all of a clamping interval.

22. The power converter as claimed in claim 21 wherein said clamping circuit is directly connected to said power transformer.

23. The power converter as claimed in claim 21 wherein said clamping circuit is coupled to a primary winding of said power transformer.

24. The power converter as claimed in claim 21 wherein said power transformer has a center-tapped secondary winding.

25. The power converter as claimed in claim 21 further comprising a power switch that connects a primary winding of said power transformer to an input of said power converter during a first cyclic interval of said power converter.

26. The power converter as claimed in claim 21 further comprising a further synchronous rectification device, coupled to said power transformer, that is active during a first cyclic interval of said power converter.

27. The power converter as claimed in claim 21 further comprising a rectification device, coupled to said power transformer, that is active during a first cyclic interval of said power converter.

28. The power converter as claimed in claim 21 wherein said clamping circuit comprises a switching device connected in series with a capacitor.

29. The power converter as claimed in claim 28 further comprising a control circuit that controls said switching device.

30. The power converter as claimed in claim 21 wherein said power converter operates in one of:

- a forward mode,
- a flyback mode, and
- a forward/flyback mode.

31. A power converter, comprising:

- a power transformer having a plurality of windings;
- a synchronous rectification device having a control terminal and coupled to at least one of said plurality of windings; and
- a clamping circuit, coupled to said power transformer, that limits a voltage applied to said control terminal such that said synchronous rectification device conducts a load current for substantially all of a clamping interval.

32. The power converter as claimed in claim 31 wherein said clamping circuit is directly connected to said power transformer.

33. The power converter as claimed in claim 31 wherein said clamping circuit is coupled to a primary winding of said power transformer.

34. The power converter as claimed in claim 31 wherein said power transformer has a center-tapped secondary winding.

35. The power converter as claimed in claim 31 further comprising a power switch that connects a primary winding of said power transformer to an input of said power converter during a first cyclic interval of said power converter.

36. The power converter as claimed in claim 31 further comprising a further synchronous rectification device, coupled to said power transformer, that is active during a first cyclic interval of said power converter.

37. The power converter as claimed in claim 31 further comprising a rectification device, coupled to said power transformer, that is active during a first cyclic interval of said power converter.

38. The power converter as claimed in claim 31 wherein said clamping circuit comprises a switching device connected in series with a capacitor.

39. The power converter as claimed in claim 37 further comprising a control circuit that controls said switching device.

40. The power converter as claimed in claim 31 wherein said power converter operates in one of:

- a forward mode,
- a flyback mode, and
- a forward/flyback mode.

41. A power converter, comprising:

- a power transformer having a plurality of windings;
- a synchronous rectification device having a control terminal responsive to a drive signal and coupled to at least one of said plurality of windings; and
- a clamping circuit, coupled to said power transformer, that limits said drive signal applied to said control terminal such that said drive signal is continuous for substantially all of a clamping interval.

42. The power converter as claimed in claim 41 wherein said clamping circuit is directly connected to said power transformer.

43. The power converter as claimed in claim 41 wherein said clamping circuit is coupled to a primary winding of said power transformer.

44. The power converter as claimed in claim 41 wherein said power transformer has a center-tapped secondary winding.

45. The power converter as claimed in claim 41 further comprising a power switch that connects a primary winding of said power transformer to an input of said power converter during a first cyclic interval of said power converter.

46. The power converter as claimed in claim 41 further comprising a further synchronous rectification device, coupled to said power transformer, that is active during a first cyclic interval of said power converter.

47. The power converter as claimed in claim 41 further comprising a rectification device, coupled to said power transformer, that is active during a first cyclic interval of said power converter.

48. The power converter as claimed in claim 41 wherein said clamping circuit comprises a switching device connected in series with a capacitor.

49. The power converter as claimed in claim 48 further comprising a control circuit that controls said switching device.

50. The power converter as claimed in claim 41 wherein said power converter operates in one of:

- a forward mode,
- a flyback mode, and
- a forward/flyback mode.

51. A power converter, comprising:

- an input that accepts a DC voltage;
- an output that provides current to a load;
- a power transformer having at least one primary winding and at least one secondary winding;
- a power switch that periodically connects said input to said at least one primary winding during a first cyclic interval of said power converter;
- a clamping circuit that limits a voltage across said at least one secondary winding during a clamping interval of said power converter; and
- a synchronous rectification device having a control terminal responsive to a signal across said at least one secondary winding such that said synchronous rectification device is active for substantially all of said clamping interval.

52. The power converter as claimed in claim 51 wherein said clamping circuit is directly connected to said power transformer.

53. The power converter as claimed in claim 51 wherein said clamping circuit is coupled to said at least one primary winding of said power transformer.

54. The power converter as claimed in claim 51 wherein said at least one secondary winding has a center-tap.

55. The power converter as claimed in claim 51 further comprising a voltage limiting device coupled to said synchronous rectification device.

56. The power converter as claimed in claim 51 further comprising a further synchronous rectification device, coupled to said power transformer, that is active during a first cyclic interval of said power converter.

57. The power converter as claimed in claim 51 further comprising a rectification device, coupled to said power

transformer, that is active during a first cyclic interval of said power converter.

58. The power converter as claimed in claim 51 wherein said clamping circuit comprises a switching device connected in series with a capacitor.

59. The power converter as claimed in claim 58 further comprising a control circuit that controls said switching device.

60. The power converter as claimed in claim 51 wherein said power converter operates in one of:

- a forward mode,
- a flyback mode, and
- a forward/flyback mode.

* * * * *



US00RE36571C1

(12) **EX PARTE REEXAMINATION CERTIFICATE** (9481st)
United States Patent
Rozman

(10) **Number:** **US RE36,571 C1**
(45) **Certificate Issued:** ***Jan. 15, 2013**

(54) **LOW LOSS SYNCHRONOUS RECTIFIER FOR APPLICATION TO CLAMPED-MODE POWER CONVERTERS**

(75) Inventor: **Allen Frank Rozman**, Richardson, TX (US)

(73) Assignee: **Lineage Power Corporation**

Reexamination Request:

No. 90/010,671, Sep. 11, 2009

Reexamination Certificate for:

Patent No.: **Re. 36,571**
Issued: **Feb. 15, 2000**
Appl. No.: **09/039,106**
Filed: **Mar. 13, 1998**

(*) Notice: This patent is subject to a terminal disclaimer.

Related U.S. Patent Documents

Reissue of:

(64) Patent No.: **5,528,482**
Issued: **Jun. 18, 1996**
Appl. No.: **08/225,027**
Filed: **Apr. 8, 1994**

Related U.S. Application Data

(63) Continuation of application No. 08/054,918, filed on Apr. 29, 1993, now Pat. No. 5,303,138.

(51) **Int. Cl.**
H02M 3/335 (2006.01)
H02M 3/24 (2006.01)

(52) **U.S. Cl.** **363/21.06**; 363/20; 363/21.14; 363/89; 327/309

(58) **Field of Classification Search** None
See application file for complete search history.

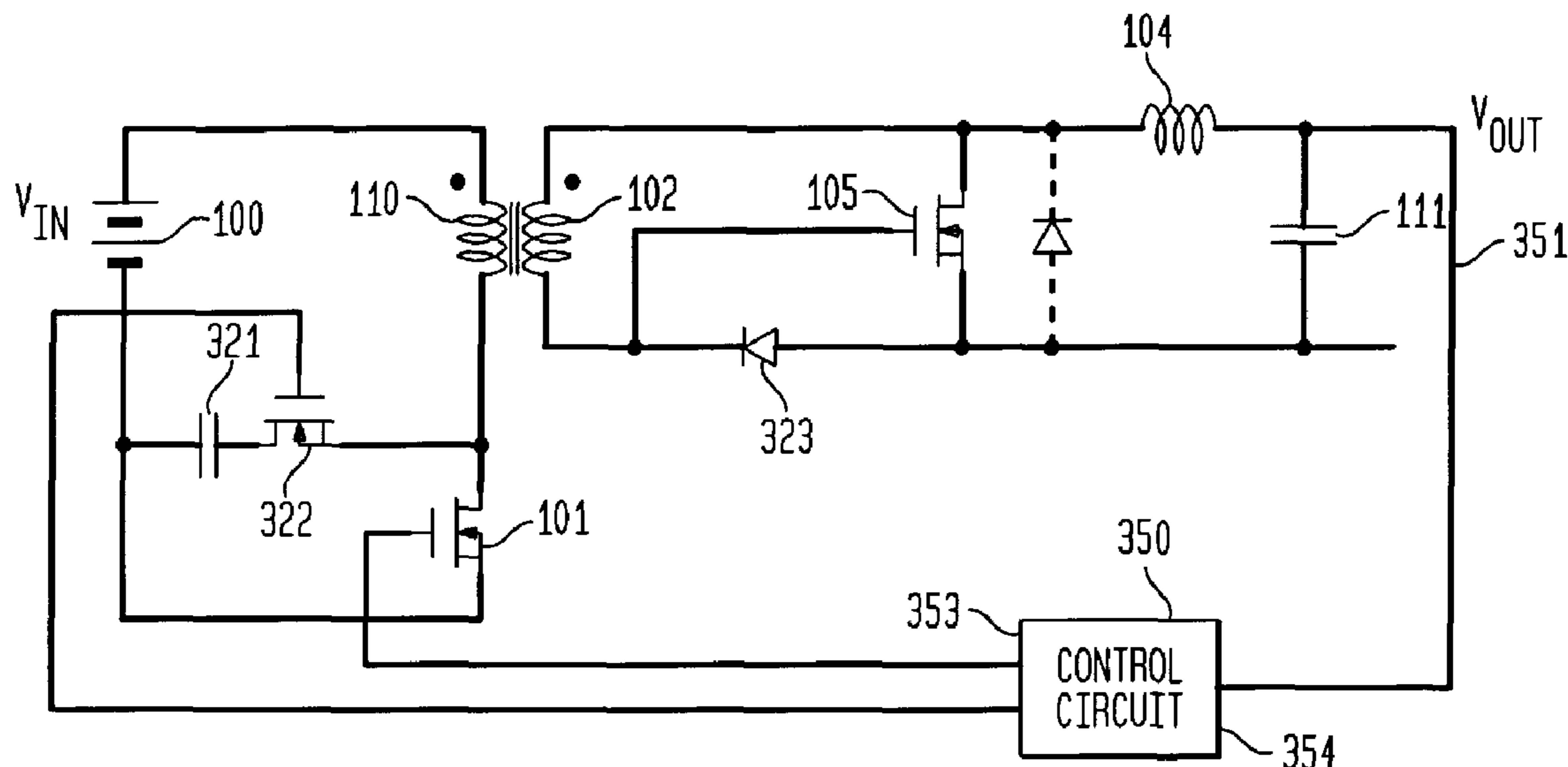
(56) **References Cited**

To view the complete listing of prior art documents cited during the proceeding for Reexamination Control Number 90/010,671, please refer to the USPTO's public Patent Application Information Retrieval (PAIR) system under the Display References tab.

Primary Examiner — John S Heyman

(57) **ABSTRACT**

A synchronous rectifier for use with a clamped-mode power converter uses in one embodiment a hybrid rectifier with a MOSFET rectifying device active in one first cyclic interval of the conduction/nonconduction sequence of the power switch and a second rectifying device embodied in one illustrative embodiment as a low voltage bipolar diode rectifying device active during an alternative interval to the first conduction/nonconduction interval. The gate drive to the MOSFET device is continuous at a constant level for substantially all of the second interval which enhances efficiency of the rectifier. The bipolar rectifier device may also be embodied as a MOSFET device. The subject rectifier may be used in both forward and flyback power converters.



1
EX PARTE
REEXAMINATION CERTIFICATE
ISSUED UNDER 35 U.S.C. 307

THE PATENT IS HEREBY AMENDED AS
INDICATED BELOW.

2
AS A RESULT OF REEXAMINATION, IT HAS BEEN
DETERMINED THAT:

Claims **1-60** are cancelled.

5

* * * * *