



US00RE36566E

United States Patent [19]
Pringle

[11] E

Patent Number: Re. 36,566

[45] **Reissued Date of Patent: Feb. 15, 2000**

[54] **SPOOLABLE COILED TUBING MANDREL AND GAS LIFT VALVES**

FOREIGN PATENT DOCUMENTS

[75] Inventor: **Ronald E. Pringle**, Houston, Tex.

2507673	5/1982	France .
2173843	10/1986	United Kingdom .
2239472	9/1993	United Kingdom .
2281329	3/1995	United Kingdom .
2281576	3/1995	United Kingdom .

[73] Assignee: **Camco International Inc.**, Houston, Tex.

OTHER PUBLICATIONS

[21] Appl. No.: **09/005,890**

Brochure entitled "The Spooler Series: New Coiled Tubing Production Equipment from BST Lift Systems", by BST Lift Systems, Inc.; Ventura, California; pp. 1-12; (undated).
 Findings of Fact and Conclusions of Law, Camco International Inc. v. BST Lift Systems, Inc., Civil Action No. 95-232, U.S. District Court for the Southern District of Texas, Oct. 30, 1996.
 Final Judgment, Camco International Inc. v. BST Lift Systems, Inc., Civil Action No. 95-232, U.S. District Court for the Southern District of Texas, Oct. 30, 1996.
 Judgment, Camco International Inc. v. BST Lift Systems, Inc., U.S. Court of Appeals for the Federal Circuit, No. 97-1144, Jul. 11, 1997.

[22] Filed: **Jan. 13, 1998**

Related U.S. Patent Documents

Reissue of:

[64] Patent No.: **5,483,988**
 Issued: **Jan. 16, 1996**
 Appl. No.: **08/241,256**
 Filed: **May 11, 1994**

[51] **Int. Cl.**⁷ **F04F 1/20**

[52] **U.S. Cl.** **137/155; 166/117.5; 166/320**

[58] **Field of Search** **137/155; 166/117.5, 166/320**

Primary Examiner—Gerald A. Michalsky
Attorney, Agent, or Firm—Williams, Morgan & Amerson

[56] **References Cited**

U.S. PATENT DOCUMENTS

Re. 29,870	12/1978	Moore et al.	166/117.5
1,919,233	7/1933	Lee	251/122 X
2,725,014	11/1955	Pryor	417/111
2,731,977	1/1956	McGowen, Jr.	137/155
2,790,395	4/1957	Garrett et al.	417/109
2,790,501	4/1957	Garrett et al.	417/109 X
3,208,398	9/1965	Douglas	103/232
3,741,299	6/1973	Terral	166/117.5
4,310,143	1/1982	Determan	137/625.64 X
5,170,815	12/1992	Going, III et al.	137/155
5,172,717	12/1992	Boyle et al.	137/155
5,176,164	1/1993	Boyle	137/155
5,782,261	7/1998	Becker	137/155

[57] **ABSTRACT**

A spoolable, flexible sidepocket mandrel positioned in a coiled tubing having an orienting sleeve, a sidepocket, and a deflector guide in which the pocket includes a plurality of separate pocket parts and the guide includes a plurality of separate guide parts, all secured to the inside of a housing for allowing the mandrel to be longitudinally flexible and spoolable. A retrievable longitudinally flexible, spoolable gas lift valve is adapted to be inserted into and retrieved from the sidepocket. The gas lift valve may be of various types including an adjustable flow gas lift valve.

24 Claims, 12 Drawing Sheets

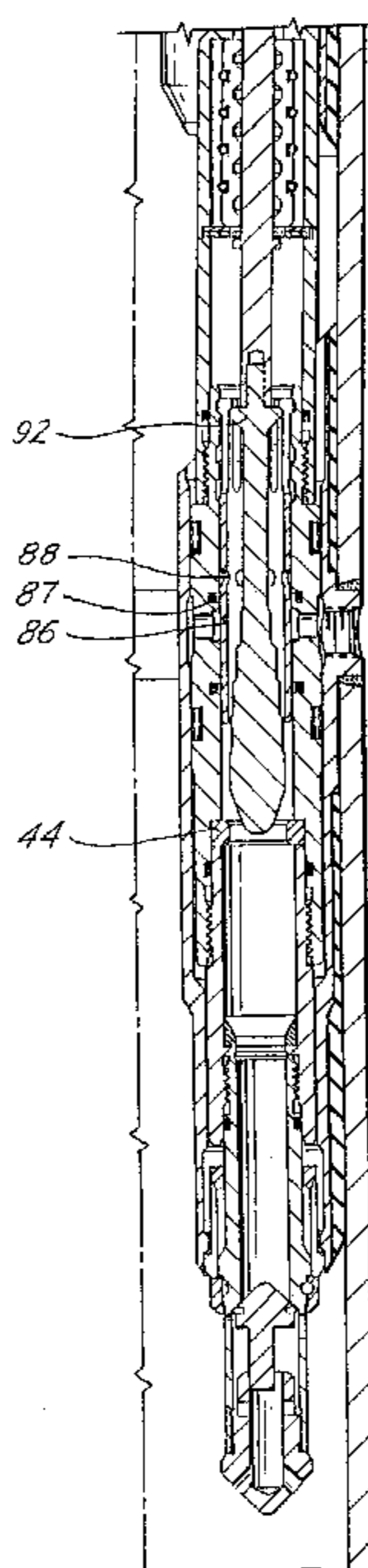


Fig. 1A

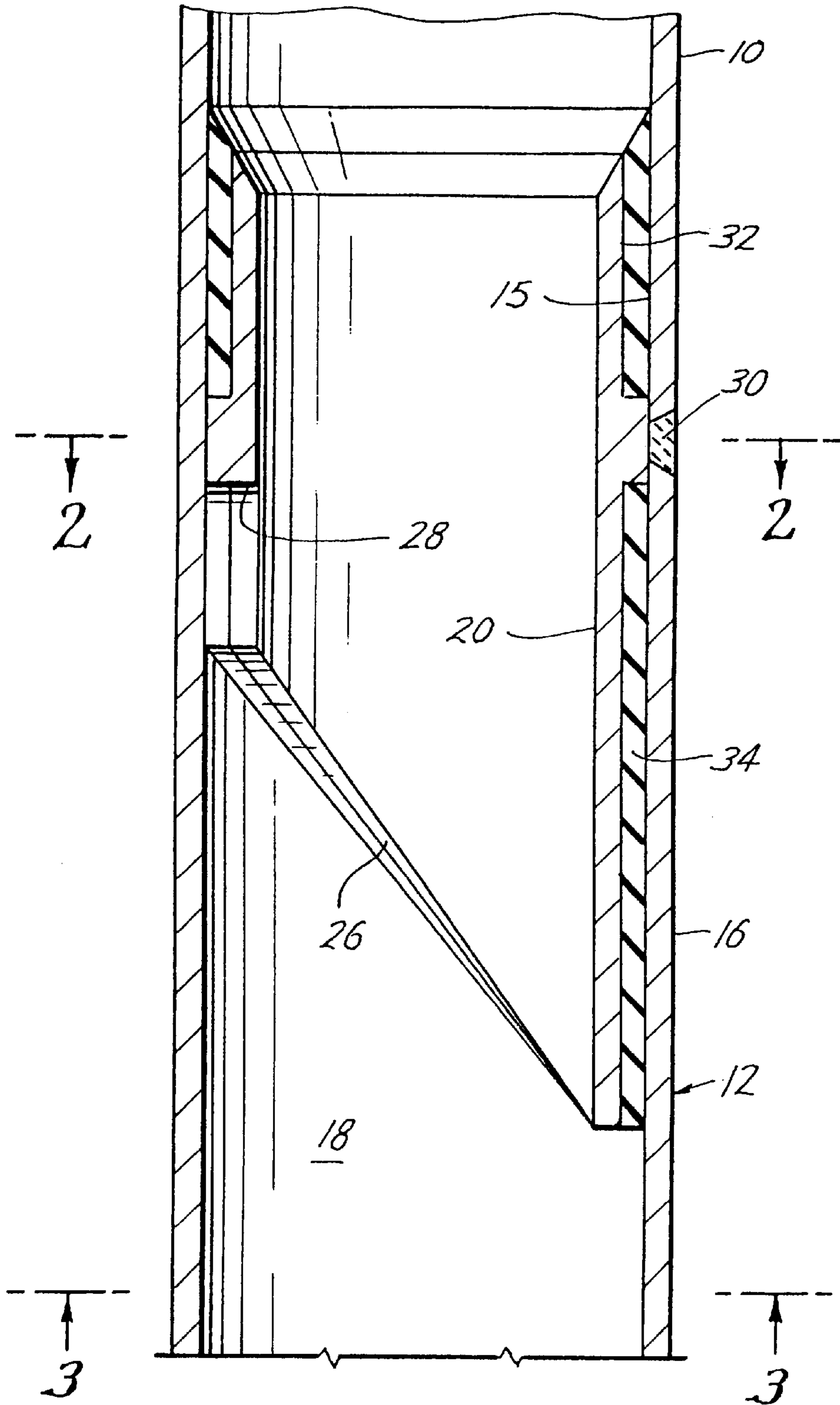


Fig. 1B

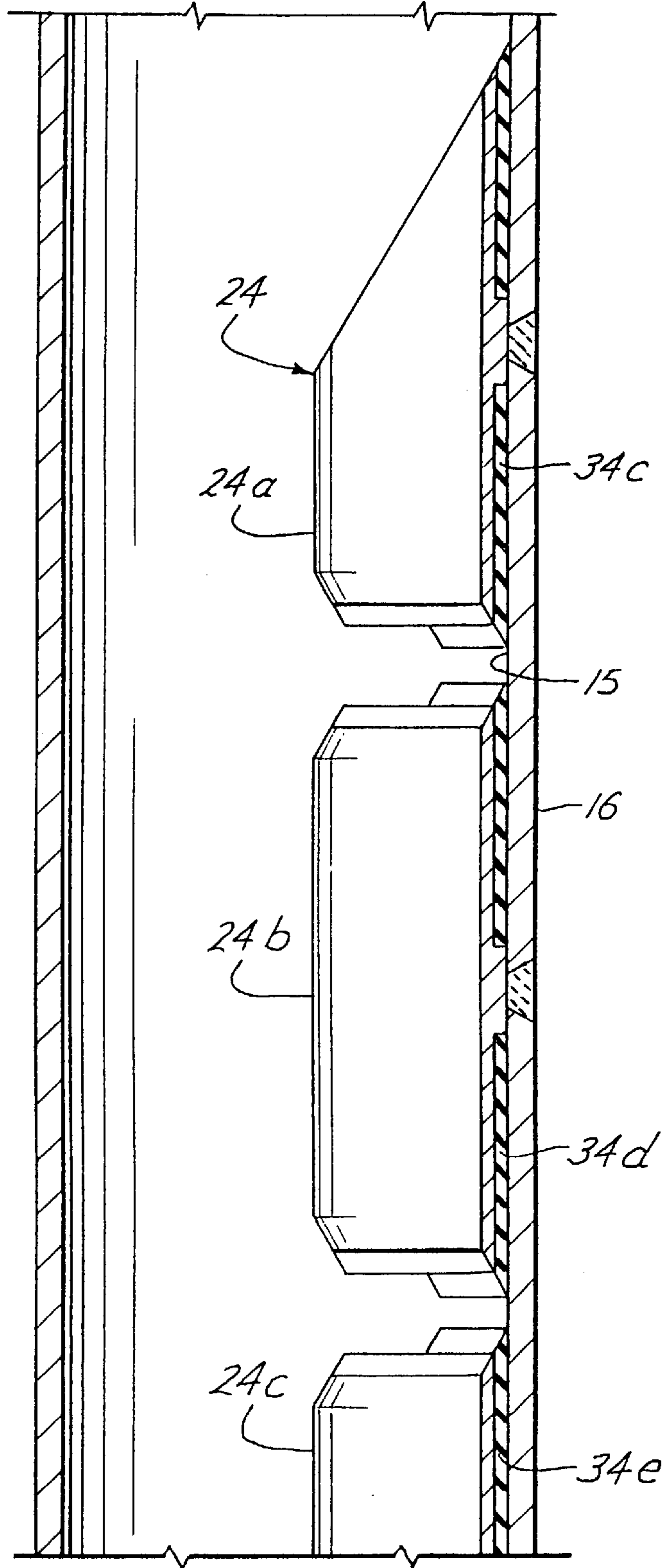


Fig. 1C

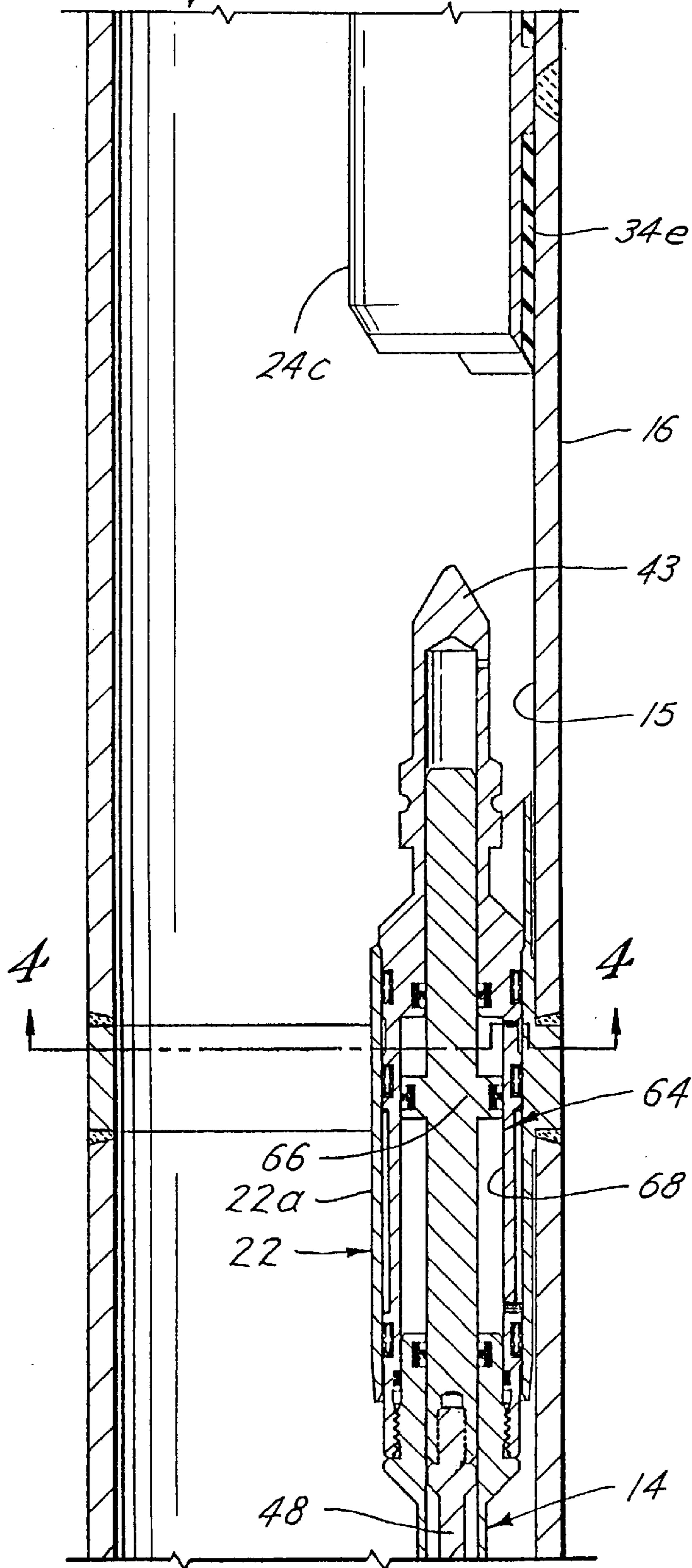


Fig. 1D

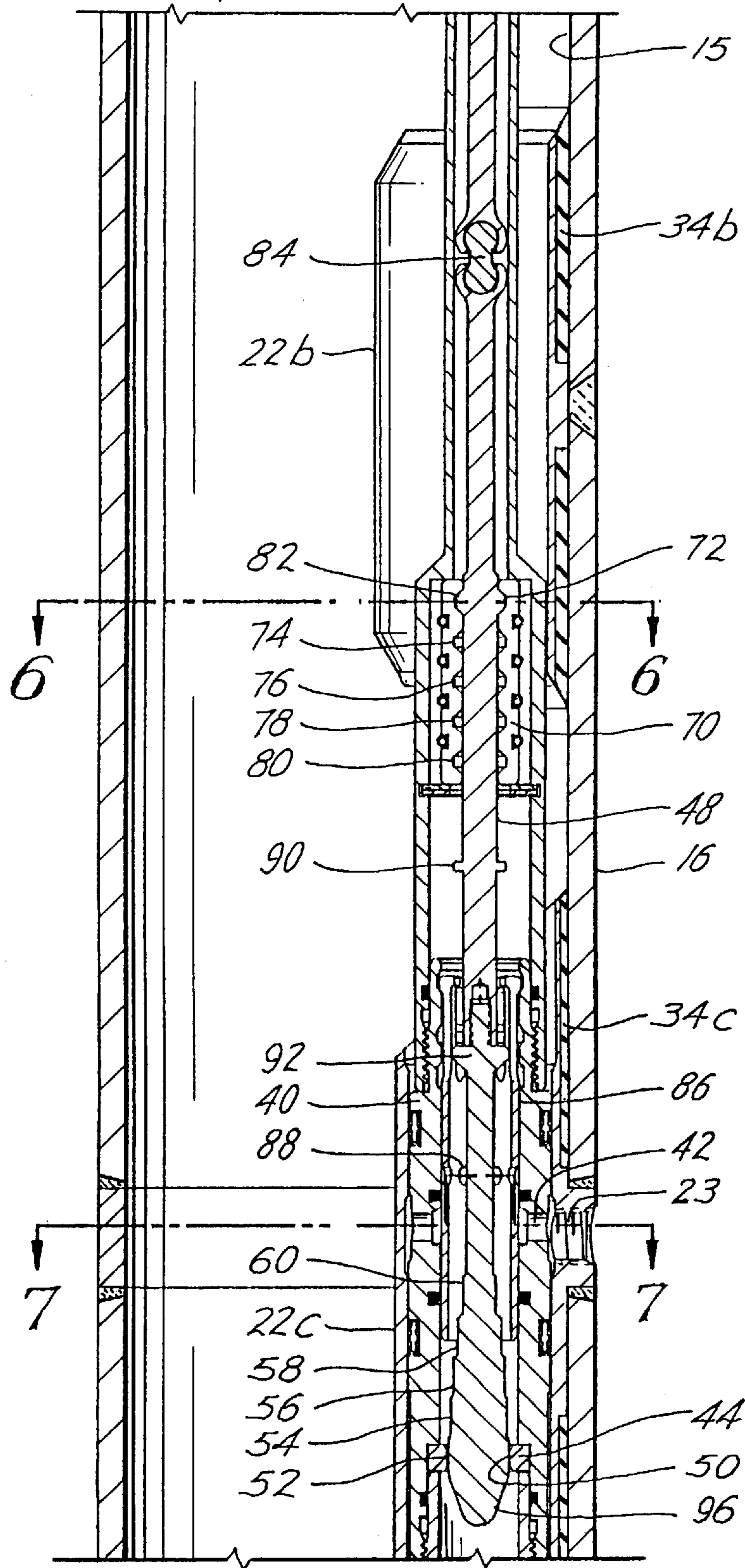


Fig. 1E

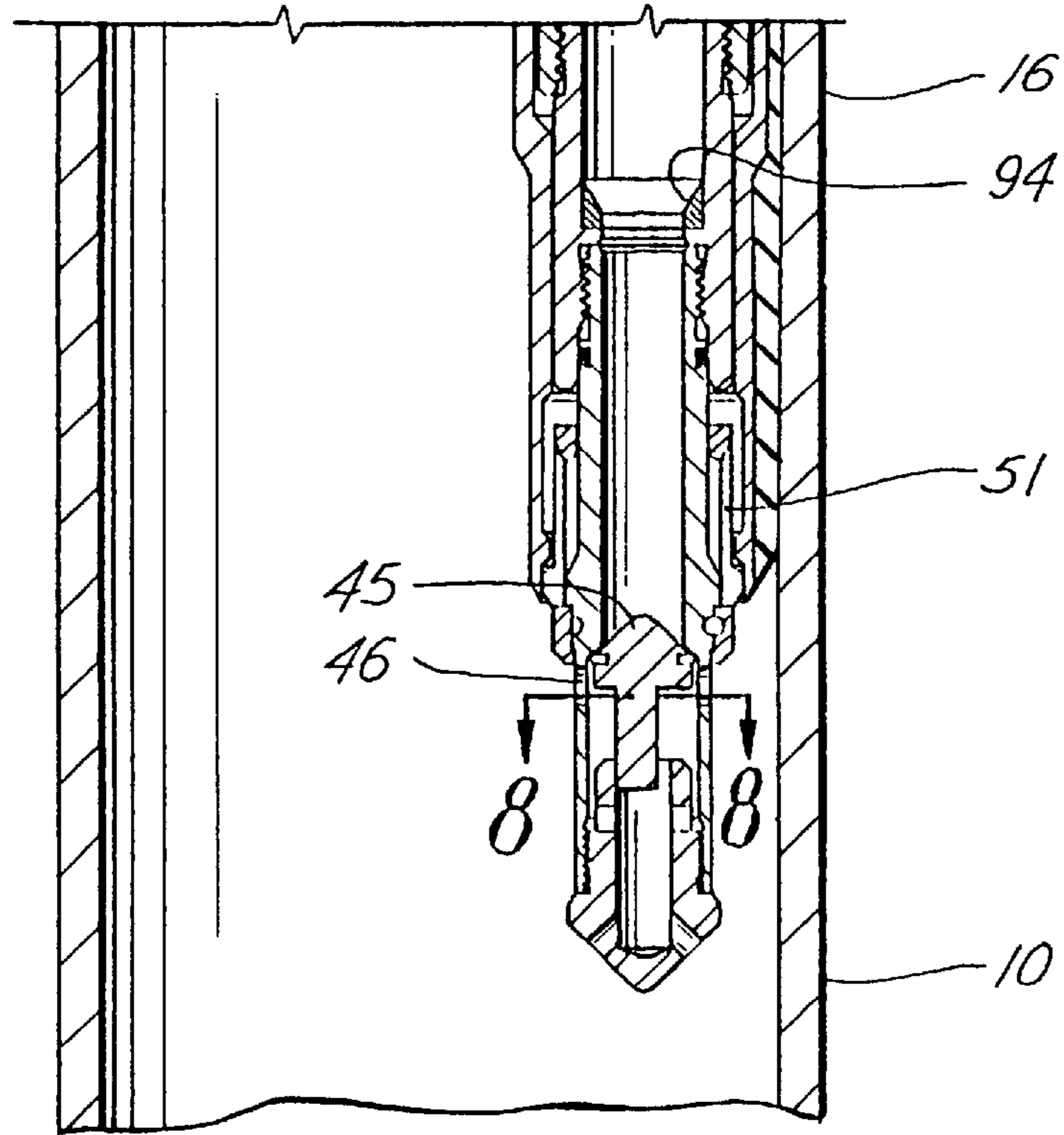


Fig. 2

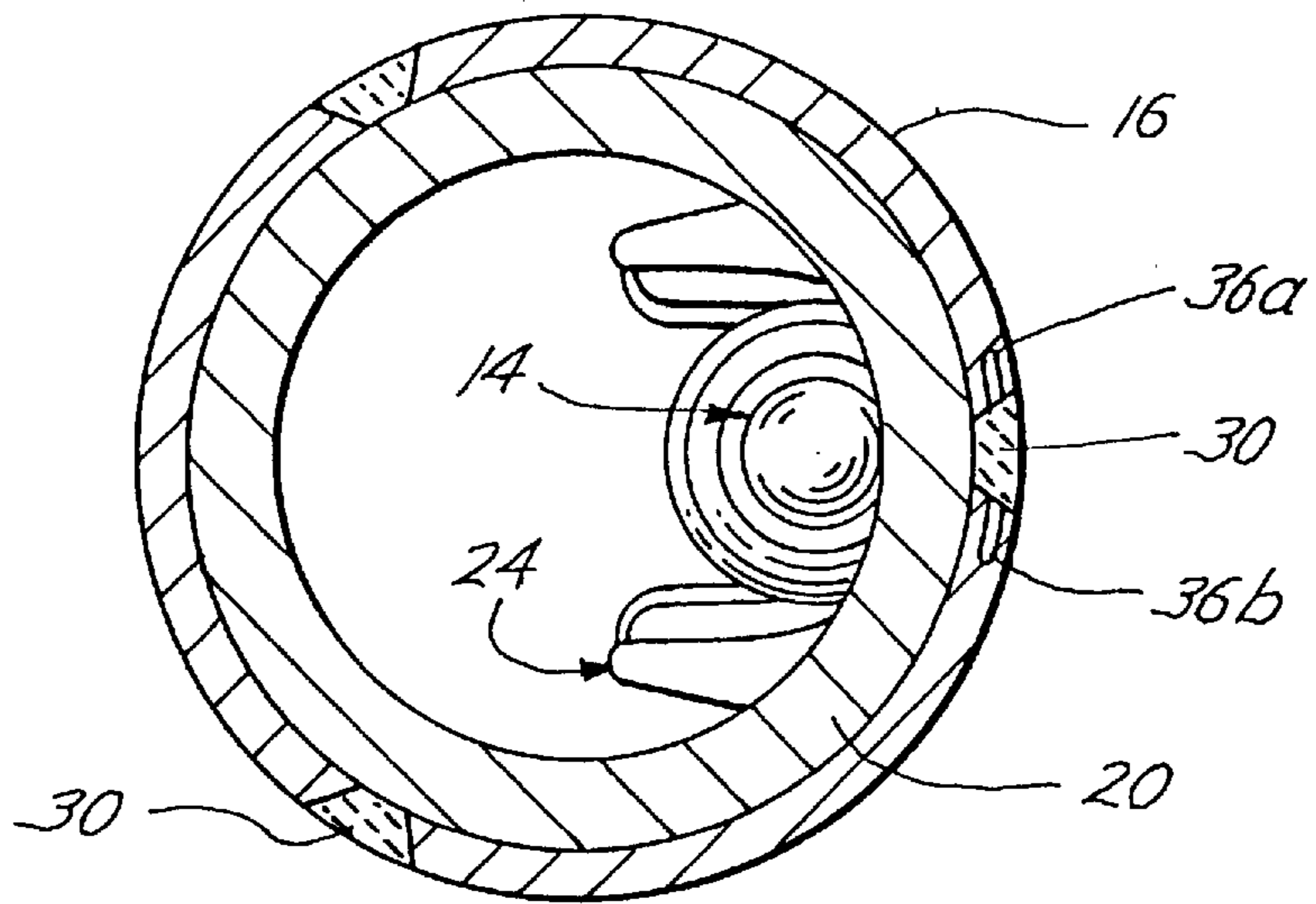


Fig. 3

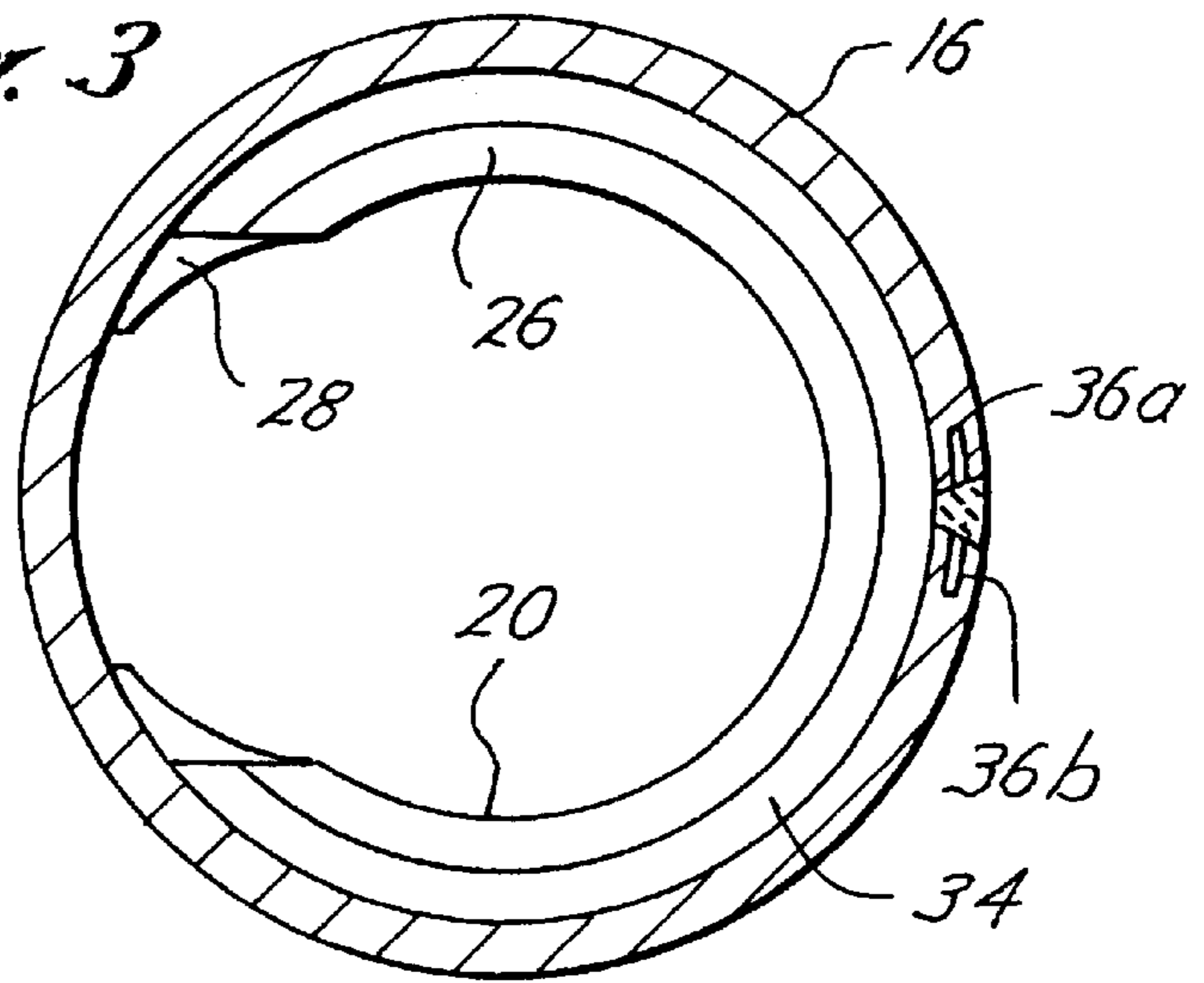


Fig. 4

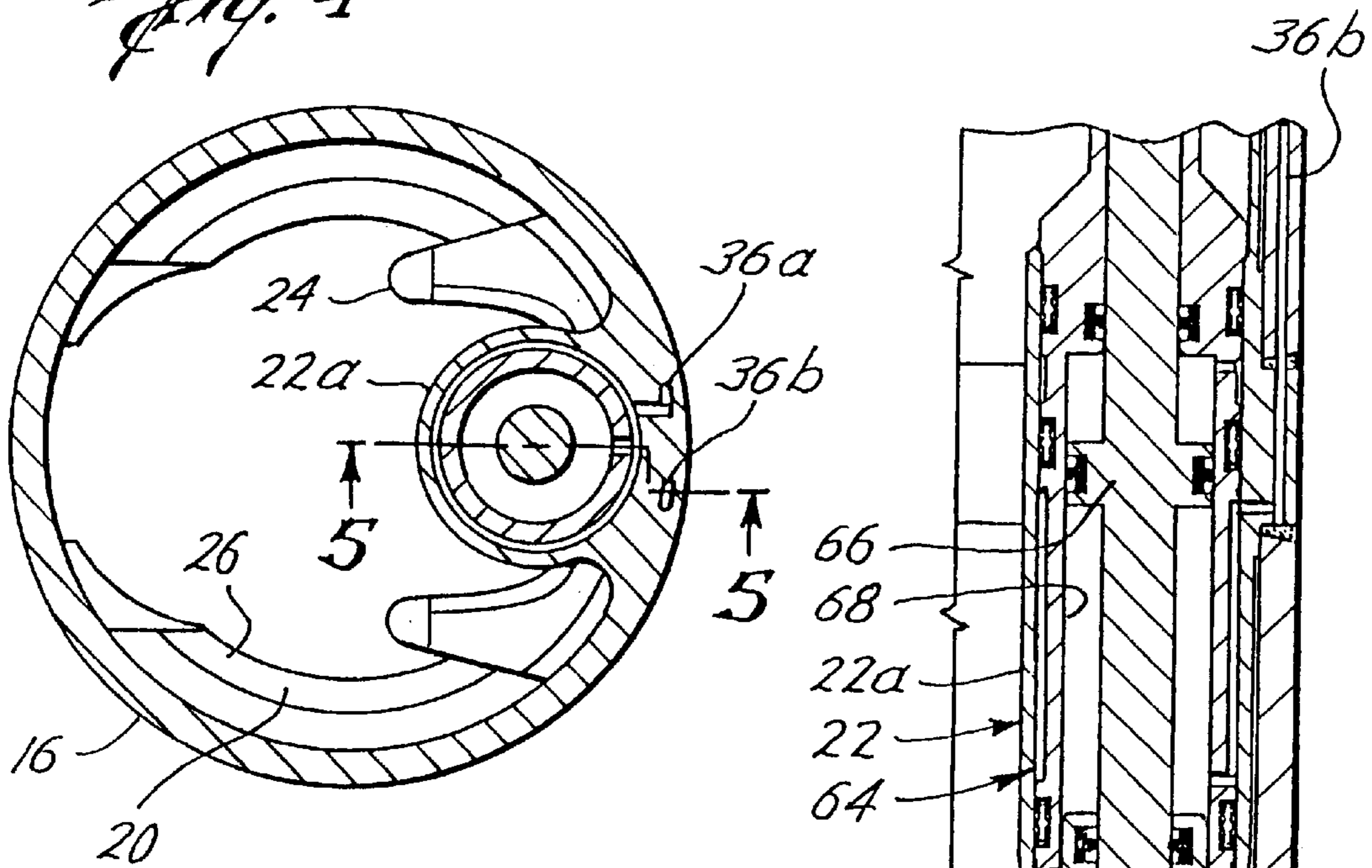


Fig. 5

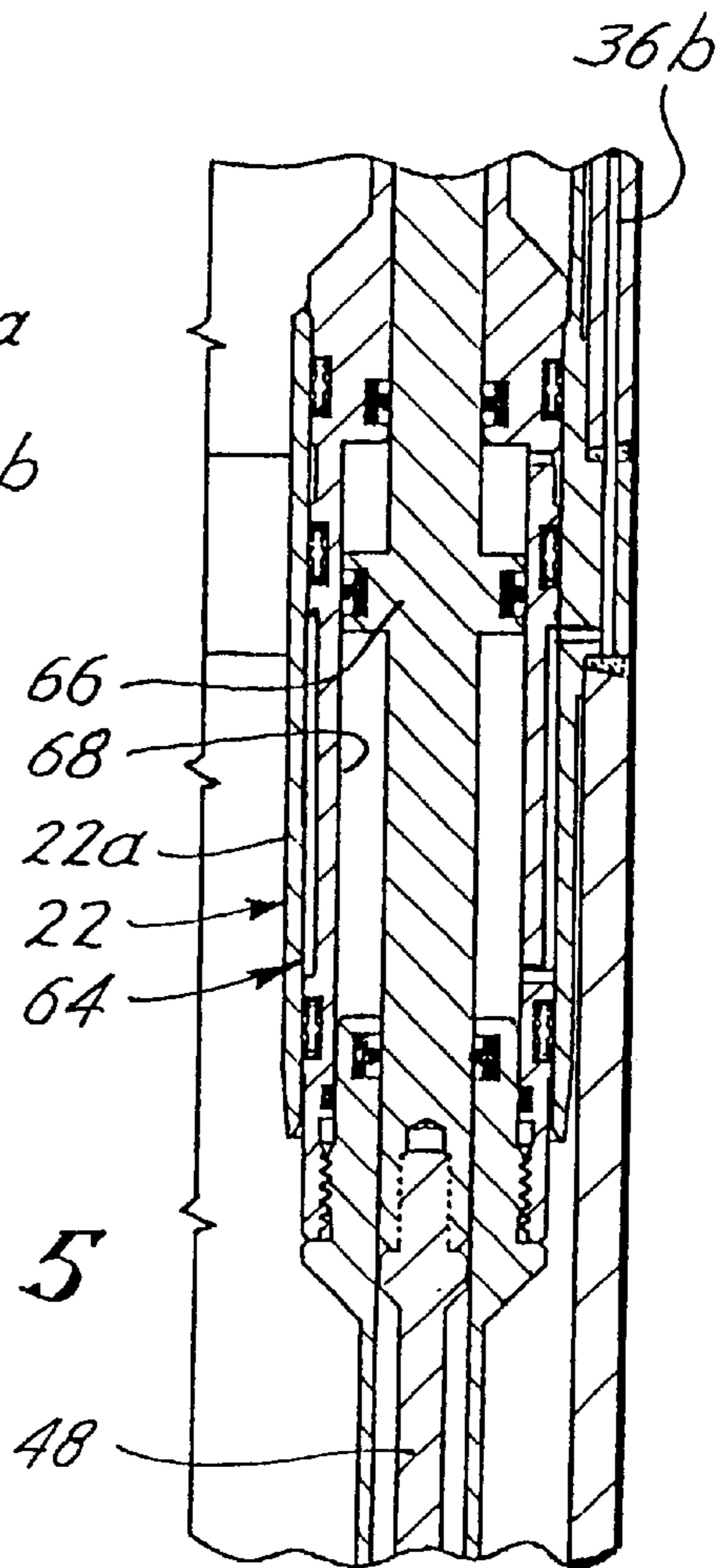


Fig. 6

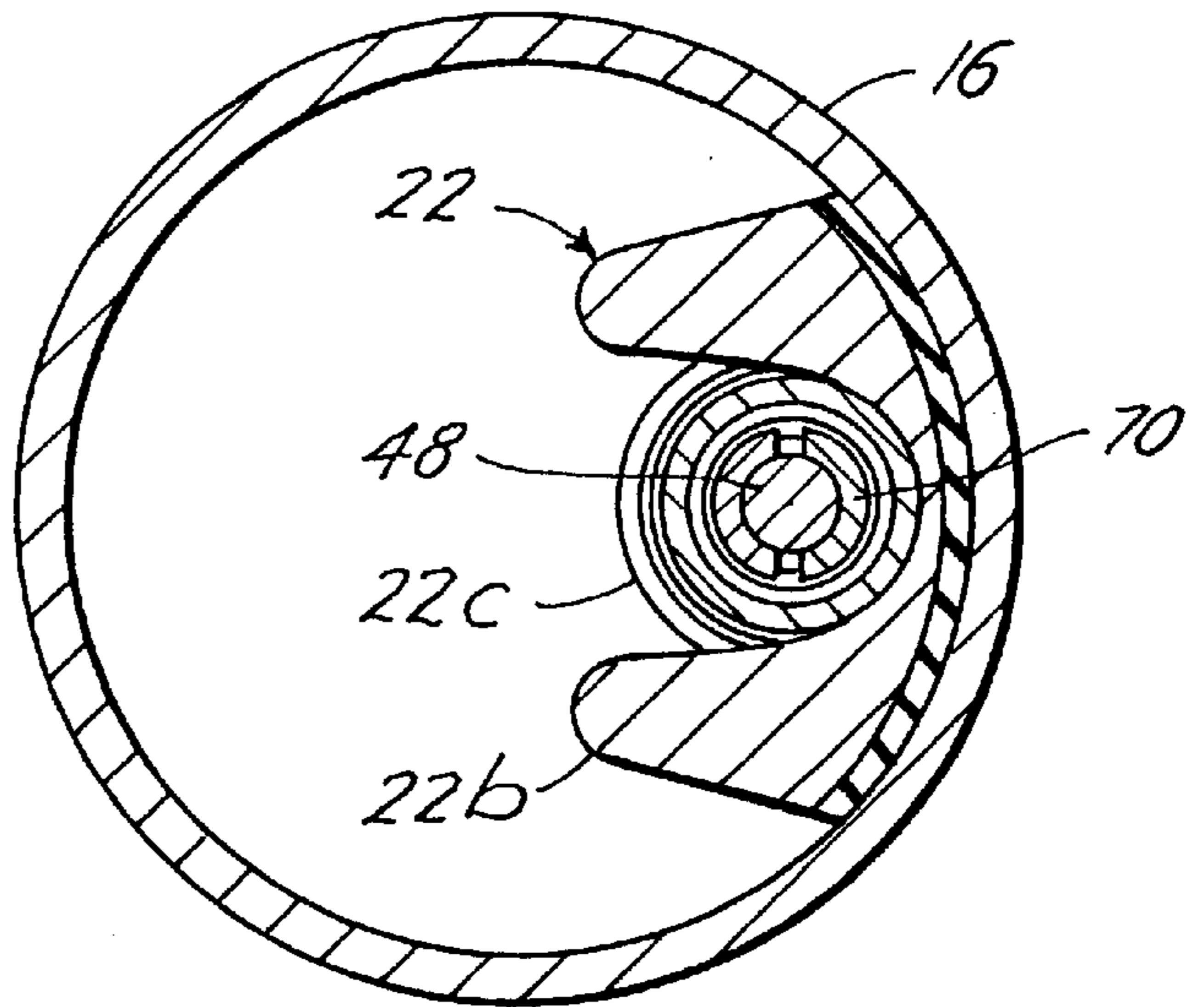


Fig. 7

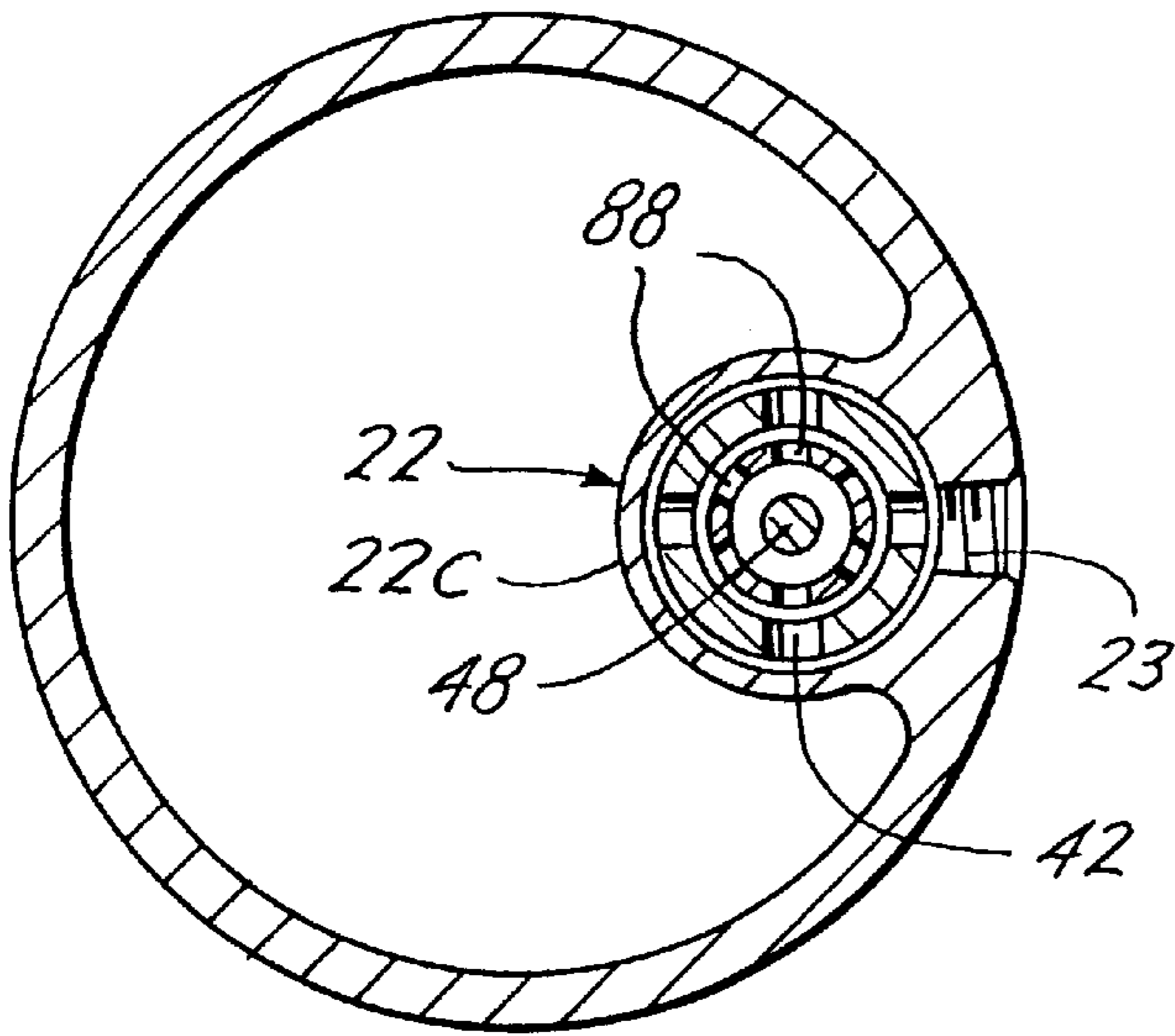


Fig. 8

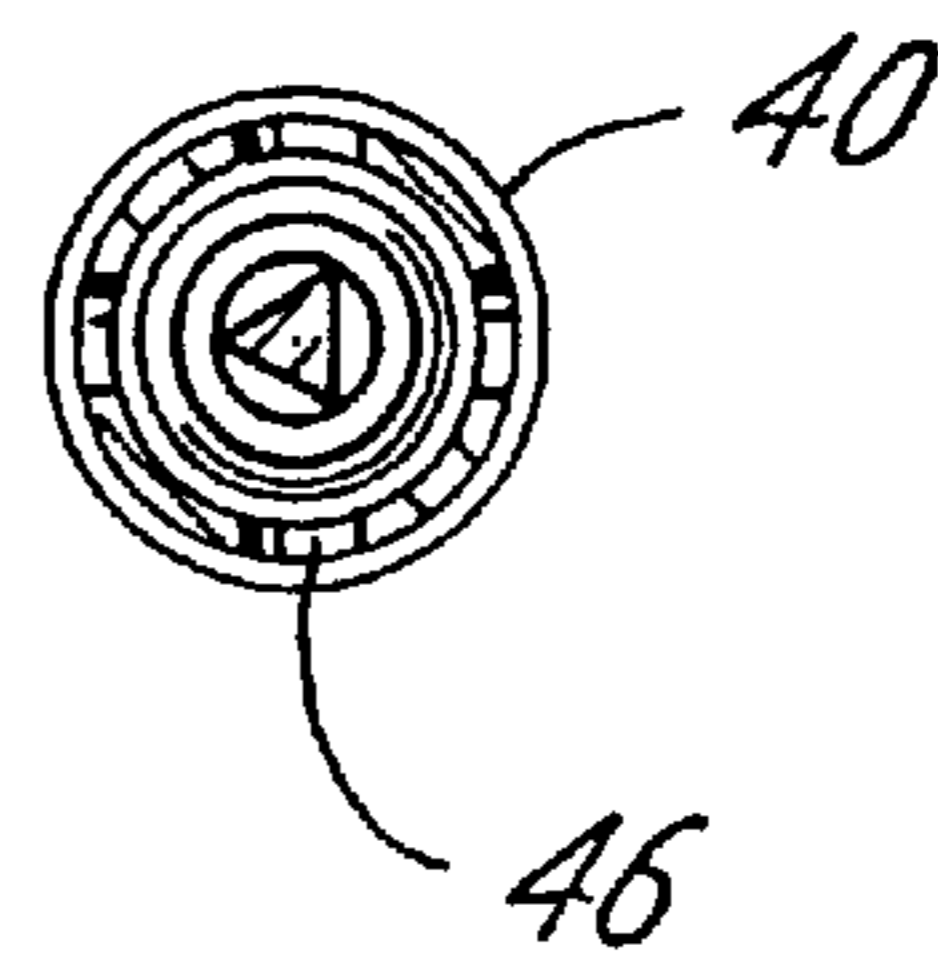


Fig. 9A

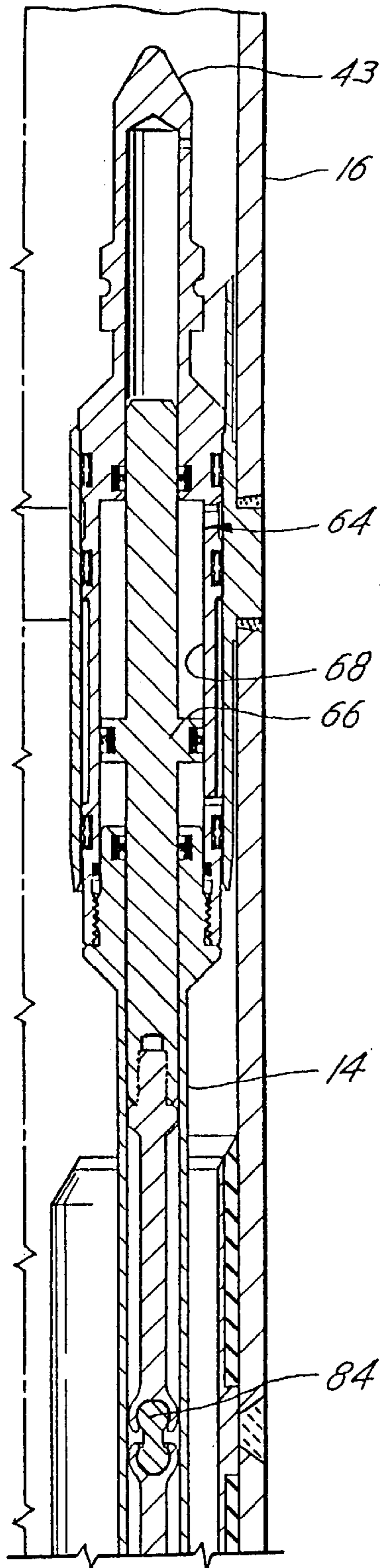


Fig. 9B

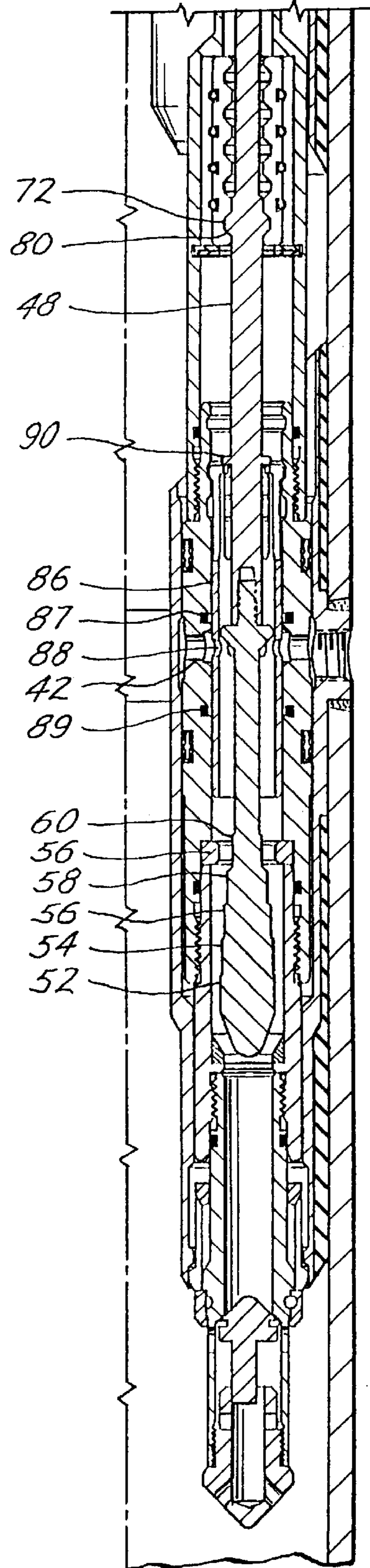


Fig. 10A

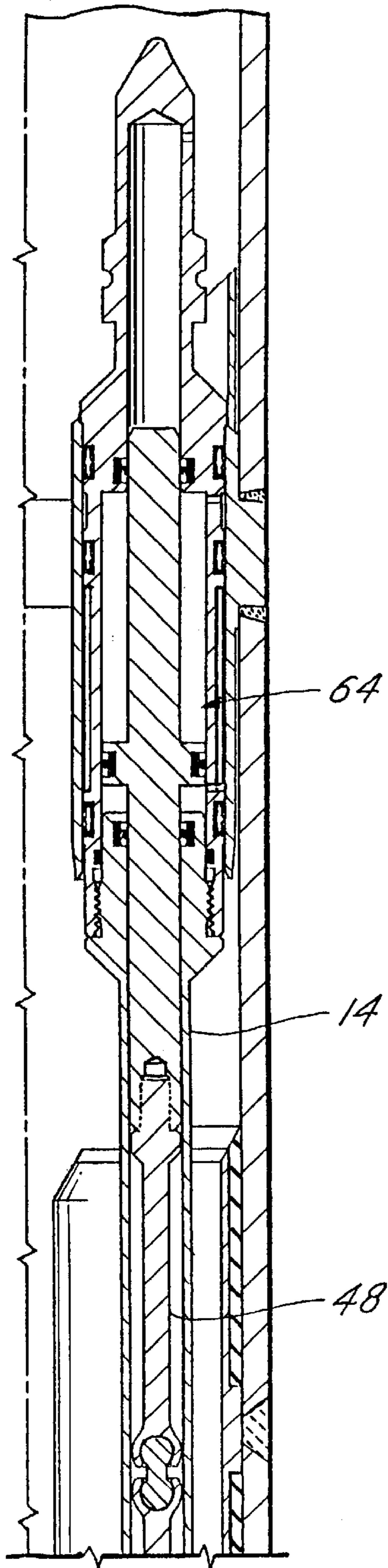


Fig. 10B

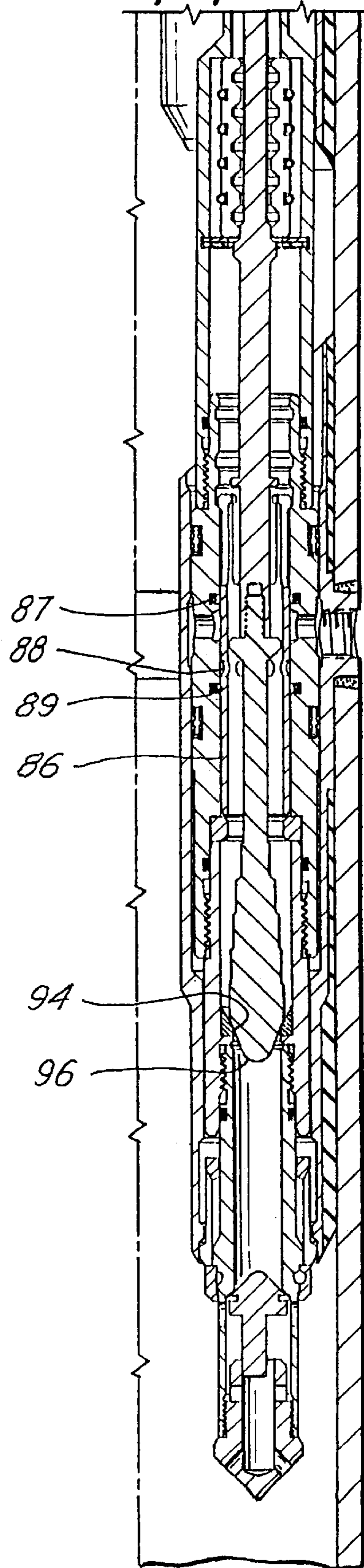


Fig. 11A

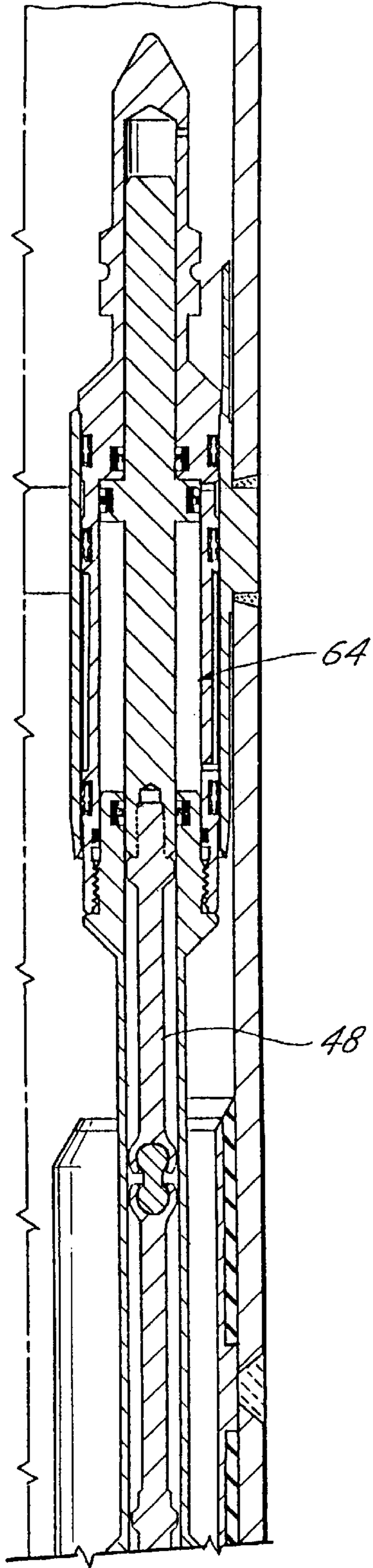
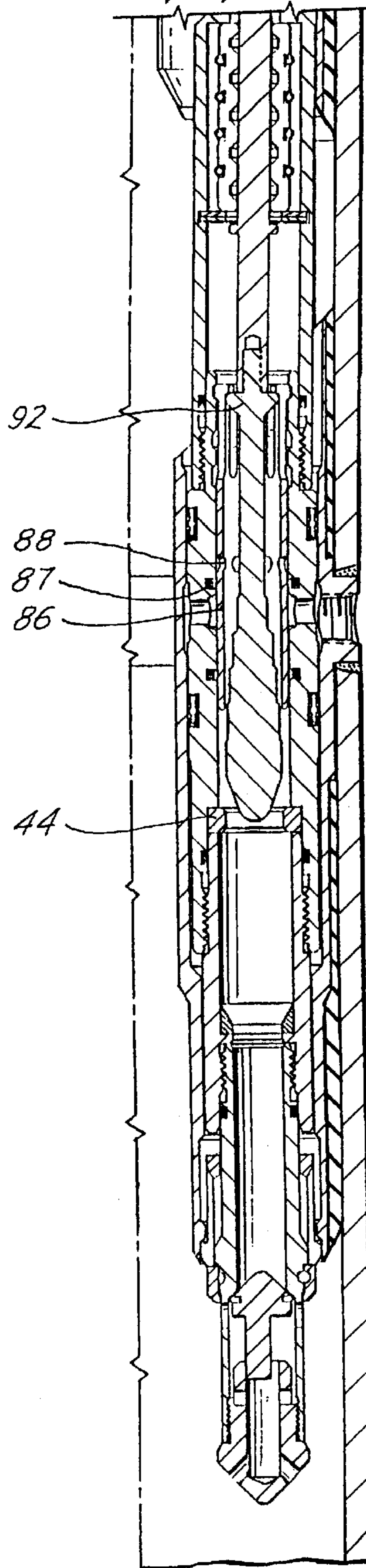


Fig. 11B



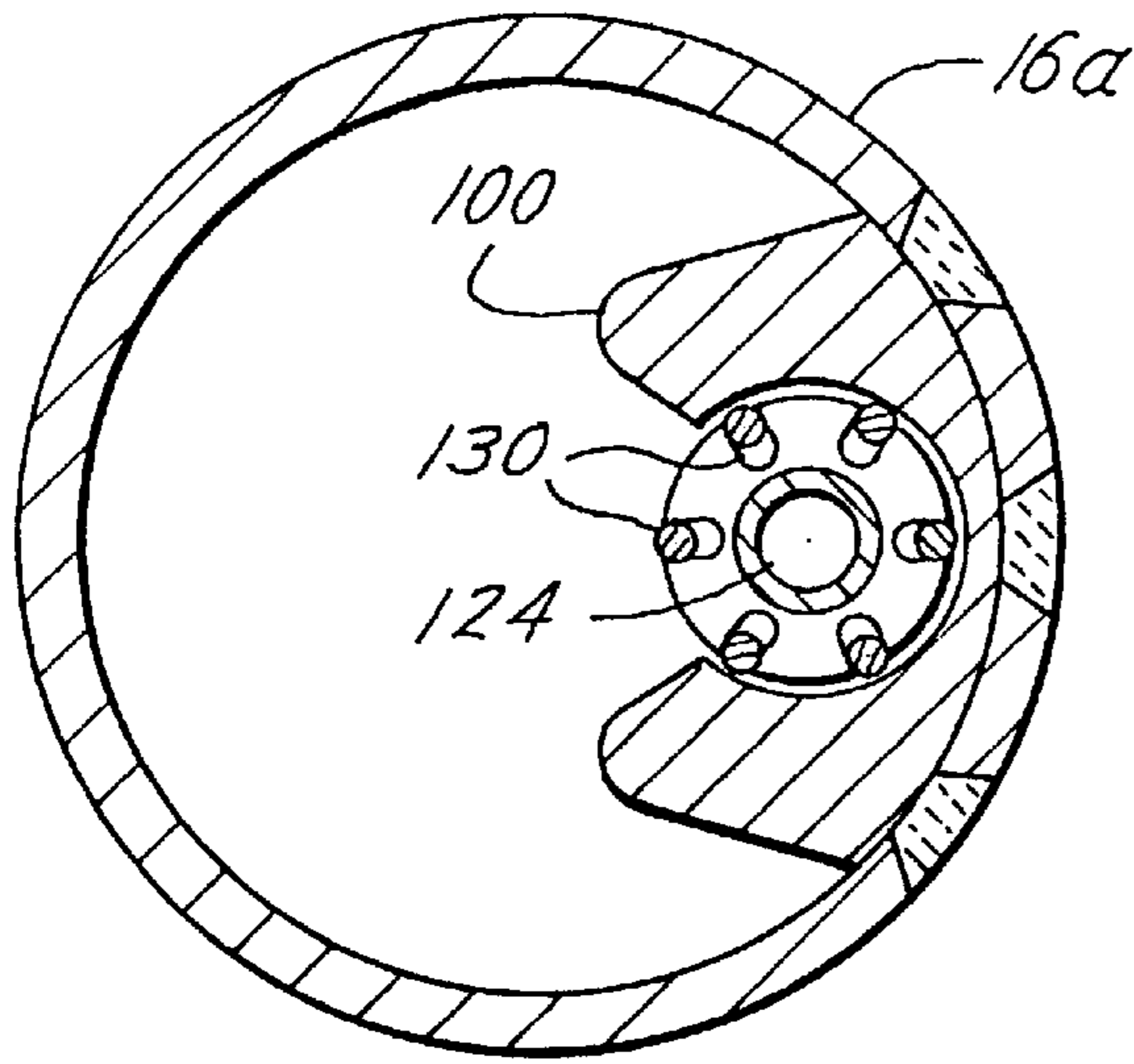


Fig. 12A

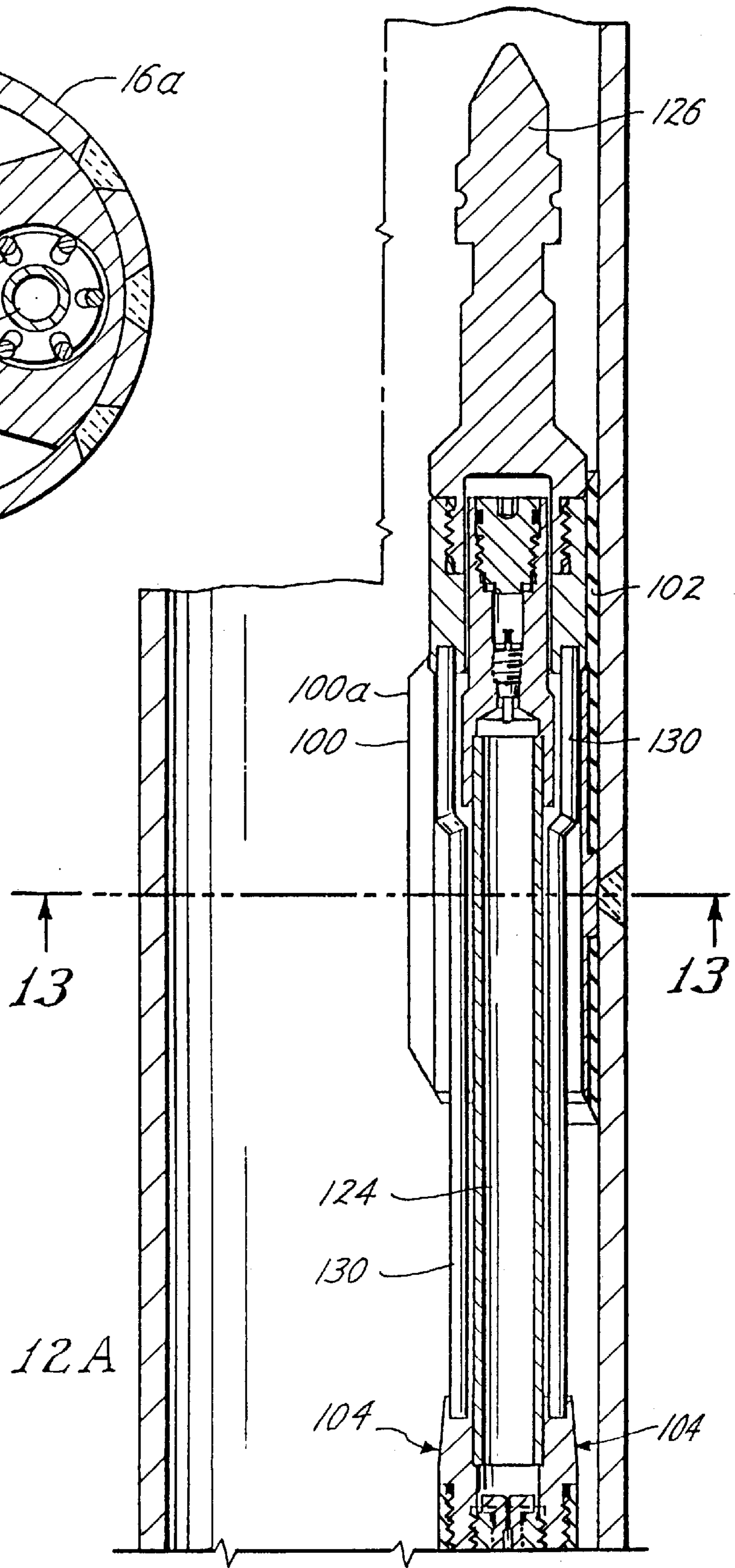


Fig. 12 B

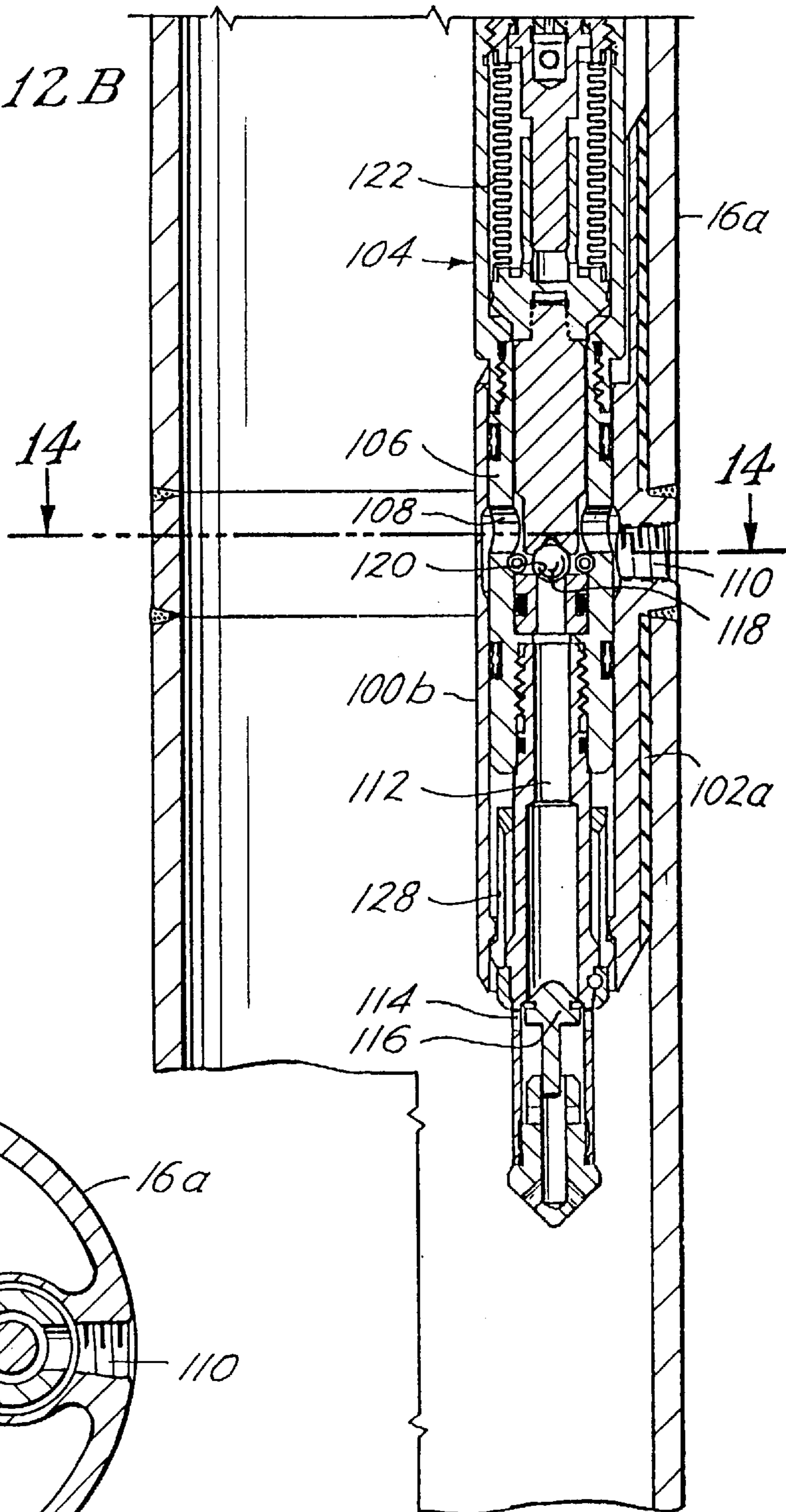
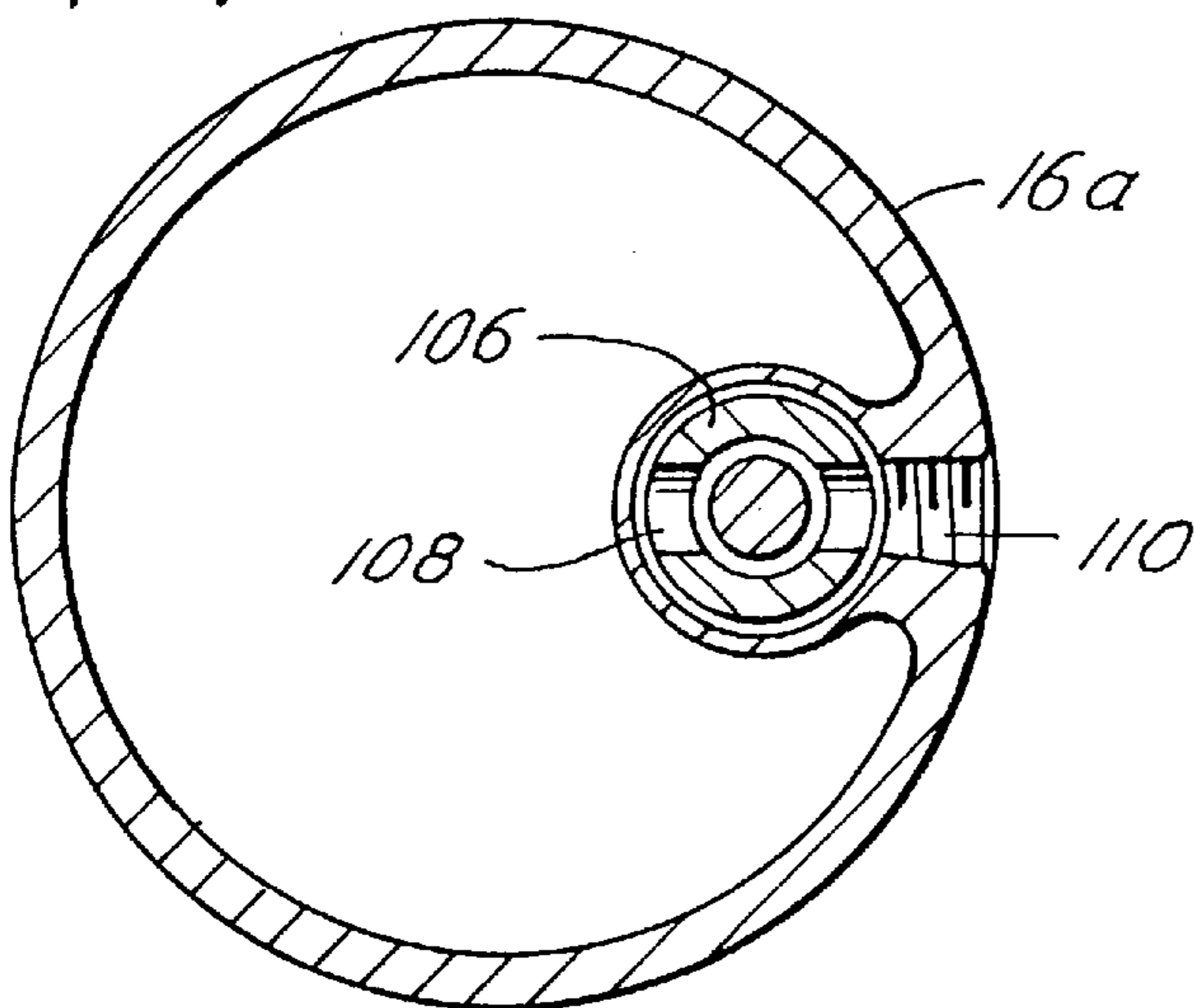


Fig. 14



SPOOLABLE COILED TUBING MANDREL AND GAS LIFT VALVES

Matter enclosed in heavy brackets [] appears in the original patent but forms no part of this reissue specification; matter printed in italics indicates the additions made by reissue.

BACKGROUND OF THE INVENTION

The present invention is directed to a spoolable coiled tubing mandrel that is positioned in a coiled tubing and is longitudinally flexible for spooling and gas lift valves that are wireline retrievable and longitudinally flexible and spoolable.

It is known, as disclosed in U.S. Pat. No. 5,170,815, to provide a longitudinally flexible and spoolable gas lift valve that is permanently mounted within the internal diameter of a coiled tubing. However, in order to repair or replace such valves, the coiled tubing string must be pulled in its entirety, and such permanently mounted valves prevent through tubing wireline work to be performed in the coiled tubing.

The present invention is directed to providing coiled tubing mandrels and gas lift valves that are not only longitudinally flexible for allowing their being spoolable on to the coiled tubing reel, but they have an external flush outside diameter of the same size as the coiled tubing, have an internal offset sidepocket which allows gas lift valves to be wireline inserted and retrieved from the mandrels, and the mandrels have a through bore for performing other wireline work without removing the gas lift valves. In addition, the gas lift valves may be of various types and are longitudinally flexible and spoolable and in one embodiment a gas lift valve is provided which may be opened, closed or provide any desired port size by control from the well surface.

SUMMARY

It is one object of the present invention to provide a spoolable flexible sidepocket mandrel positioned in a coiled tubing in which the mandrel includes a flexible spoolable circular housing having the same size and shape as the coiled tubing and forms a portion of the coiled tubing. A mandrel housing includes an open bore communicating with the coiled tubing. An orienting sleeve is secured to the inside of the housing for aligning a flow control device in the housing. A sidepocket is offset from the open bore for receiving a flow control device and the pocket includes a plurality of separate pocket parts, each of which is secured to the inside of the housing for providing longitudinal flexibility. A deflector guide is aligned with the sidepocket and the guide includes a plurality of separate guide parts each of which is secured to the inside of the housing for providing longitudinal flexibility.

Another object of the present invention is wherein the outside of the orienting sleeve, the pocket parts, and the guide parts are spaced from the inside of the housing and the orienting sleeve, the pocket parts and the guide parts are secured to the inside of the housing at a point intermediate to their respective ends. Such a structure provides for greater longitudinal flexibility of the mandrel.

A further object of the present invention is wherein the mandrel includes a flexible boot positioned between the orienting sleeve and the inside of the housing for allowing flexing of the sleeve relative to the housing and also preventing well tools from hanging up on the ends of the sleeve.

Still a further object is the provision of at least one hydraulic control line within the housing wall of the mandrel.

Still a further object is the provision of a flexible boot positioned between at least some of the guide parts and the inside of the housing and a flexible boot positioned between at least some of the pocket parts and the inside of the housing for providing longitudinal flexibility of the mandrel.

A still further object of the present invention is the provision of a retrievable, longitudinally flexible and spoolable gas lift valve adapted to be inserted into and retrieved from the sidepocket.

Yet a further object of the present invention is a provision of a retrievable, flexible and spoolable gas lift valve for use in a coiled tubing which includes a housing, the housing having an inlet, an outlet and a flow controlling valve operatively positioned between the inlet and the outlet. A gas charged bellows is connected to and controls the operation of the flow controlling valve and a gas containing compartment is in communication with the bellows. A setting and pulling head is connected to the body. The body includes a plurality of separated, longitudinally extending ribs connected to the head for providing longitudinal flexibility. Preferably, the ribs surround the gas containing compartment.

Still a further object of the present invention is the provision of an adjustable flow gas lift valve which includes a body having an inlet, a variable size passageway, and an outlet. An actuator is longitudinally movable in the body for varying the size of the passageway and a hydraulic piston and cylinder assembly is connected to the actuator for moving the actuator. Preferably, the piston and cylinder assembly is double acting. Sensing means are provided connected to the actuator for determining the position of the actuator. Preferably, the variable size passageway includes an orifice port and a plurality of different sized valve elements movable relative to the port. Preferably, the different sized valve elements are connected to the actuator.

A still further object is wherein the sensing means includes a series of collet grooves and a shoulder movable relative to the grooves.

Yet a still further object is wherein the adjustable gas lift valve includes a sleeve telescopically movable relative to the body for opening and closing the inlet. Preferably, first and second shoulders are provided on the actuator for engaging and moving the sleeve in opposite directions.

Still a further object is wherein the actuator includes a universal joint for allowing the valve to be longitudinally flexible and spoolable.

Yet a still further object of the present invention is wherein the valve includes a valve seat between the inlet and the outlet and one of the valve elements is sized to seat on the valve seat for opening and closing the valve seat on movement of the actuator.

Other and further objects, features and advantages will be apparent from the following description of presently preferred embodiments of the invention, given for the purpose of disclosure and taken in conjunction with the accompanying drawings.

BRIEF DESCRIPTION OF THE DRAWINGS

FIGS. 1A, 1B, 1C, 1D, and 1E are continuations of each other and form an elevational view, in cross section, of a flexible, spoolable mandrel of the present invention which includes one type of gas lift valve in the running position,

FIG. 2 is a cross-sectional view taken along the line 2—2 of FIG. 1A,

FIG. 3 is a cross-sectional view taken along the line 3—3 of FIG. 1A,

FIG. 4 is a cross-sectional view taken along the line 4—4 of FIG. 1C,

FIG. 5 is a cross-sectional view taken along the line 5—5 of FIG. 4,

FIG. 6 is a cross-sectional view taken along the line 6—6 of FIG. 1D,

FIG. 7 is a cross-sectional view taken along the line 7—7 of FIG. 1D,

FIG. 8 is a cross-sectional view taken along the line 8—8 of FIG. 1E,

FIGS. 9A and 9B are continuations of each other and form an elevational view, in cross section, of the gas lift valve shown in FIGS. 1C, 1D and 1E, but in the open position,

FIGS. 10A and 10B are continuations of each other and form an elevational view, in cross section, of the valve of FIGS. 9A and 9B but in the closed position by seating a valve element on a valve seat,

FIGS. 11A and 11B are continuations of each other and form an elevational view, in cross section, of the valve of FIGS. 9A and 9B, but in a closed position by having a sleeve retracted,

FIGS. 12A and 12B are continuations of each other and form an elevational view, in cross section, of another type gas lift valve which may be used with the mandrel of the present invention,

FIG. 13 is a cross-sectional view taken along the line 13—13 of FIG. 12A, and

FIG. 14 is a cross-sectional view taken along the line 14—14 of FIG. 12B.

DESCRIPTION OF THE PREFERRED EMBODIMENT

The present invention will be described, for purposes of illustration only, as a single spoolable, flexible sidepocket mandrel capable of holding various types of gas lift valves. However, it is to be understood that each coiled tubing may include one or more mandrels and gas lift valves of the present invention vertically connected in the coiled tubing and spaced from each other as is done in conventional gas lift systems. Furthermore, while various embodiments of gas lift valves are disclosed as being positioned in the sidepocket of a mandrel, it is to be understood that such gas lift valves may be utilized in other components in a coiled tubing.

Referring now to the drawings, and particularly to FIGS. 1A, 1B, 1C, 1D and 1E, the reference numeral 10 generally indicates a conventional coiled tubing, the reference numeral 12 generally indicates a spoolable, flexible sidepocket mandrel positioned in the coiled tubing 10 and the reference numeral 14 generally indicates a gas lift valve, here illustrated as an adjustable gas lift valve positioned in the mandrel 12.

The mandrel 12 generally includes a housing 16 having an open bore 18 therethrough in communication with the coiled tubing 10 and for allowing movement of various well tools, an orienting sleeve 20, a sidepocket 22 offset from the open bore for receiving a flow control device, and a deflector guide 24 aligned with the sidepocket 22. Such a sidepocket mandrel is generally described in U.S. Pat. No. 3,741,299.

However, the present mandrel 12 is longitudinally flexible for positioning in a coiled tubing and spoolable upon a coiled tubing reel. The housing 16 is a flexible, spoolable circular housing having the same size and shape as the coiled tubing 10 and forms a portion of the coiled tubing 10.

The orienting sleeve 20 includes an upwardly directed helical surface 26 for rotationally orienting a kickover tool

for properly aligning a flow control device such as the gas lift valve 14 for insertion into the sidepocket 22. The orienting sleeve also includes an actuating shoulder 28 for actuating a kickover tool such as shown in U.S. Reissue Patent No. RE 29,870, for installing or removing a flow control device from the sidepocket 22. Preferably, the orienting sleeve 20 is secured to the inside of the housing 16 such as by a weld 30 at a point between the top and bottom of the orienting sleeve 20 allowing the majority of the outside 32 of the orienting sleeve 20 to be spaced from the inside 15 of the housing 16 thereby allowing the orienting sleeve 20 to flex longitudinally relative to the housing 16 for allowing greater flexibility of the mandrel 12. Preferably, a flexible boot 34 is positioned between the outside of the orienting sleeve and the inside 15 of the housing 16, which, while allowing flexing of the orienting sleeve 20 relative to the housing 16, prevents well tools from catching between the orienting sleeve 20 and the housing 16. The flexible boot 34 may be of any suitable material, such as rubber or a suitable plastic.

Referring now to FIGS. 1C, 1D and 1E, the sidepocket 22 includes a plurality of separate pocket parts 22a, 22b and 22c each of which is secured to the inside of the housing 16, such as by welds intermediate the ends of the parts 22a, 22b and 22c. The separated sidepocket 22 thus allows the housing 16 to be longitudinally flexible and spoolable. A flexible boot is positioned between at least some of the pocket parts and the inside 15 of the housing 16. Thus, a flexible boot 34b is positioned between part 22b and the inside 15 of the housing 16 and flexible boot 34c is positioned between the inside of the pocket part 22 and the inside 15 of the housing 16. No boot is required between the pocket part 22a and the inside of the housing 16 as the space is sufficiently small to prevent the entrance of other well tools. Again, it is noted that the outside of the pocket parts 22a, 22b and 22c are spaced from the inside 15 of the housing 16 for allowing the housing 16 to be longitudinally flexible and spoolable.

Referring now to FIGS. 1B and 1C, the deflector guide 24 includes a plurality of separate guide parts 24a, 24b and 24c, each of which is secured to the inside 15 of the housing 16 such as by welds intermediate the ends of the parts 24a, 24b and 24c. And the outside of the parts 24a, 24b and 24c are spaced from the inside 15 of the housing 16 for allowing greater longitudinal flexibility of the housing 16. A flexible boot is positioned between at least some of the guide parts 24a, 24b and 24c and the inside 15 of the housing 16, such as flexible boots 34c, 34d, and 34e, respectively.

Therefore, the mandrel 12 of the present invention provides a mandrel which is flexible, is spoolable on a coiled tubing reel, provides an orienting sleeve and sidepocket for wireline inserting and retrieving flow control devices, such as gas lift valves 14 in the sidepocket 22, has an external flush outside diameter for mating with the coiled tubing 10, and includes a through bore 18 for wireline work in the coiled tubing 10 without removing the gas lift valve 14. In addition, the particular mandrel 10 may also include one or more hydraulic control lines 36a and 36b (FIGS. 2, 3, and FIG. 5), for actuating the particular type gas lift valve 14.

Referring now to FIGS. 1C, 1D and 1E, 4, 5, 6 and 7, the adjustable gas lift valve 14 positioned in the sidepocket 22 is best seen. The gas lift valve 14 includes a body 40 having an inlet 42, a variable sized passageway 44 and an outlet 46. The inlet 42 is in communication with port 23 in the mandrel body 16 for admitting gas, which flows through the variable sized passageway 44 which may be adjusted to control the flow therethrough and the gas then flows out the outlet 46. The body includes a setting and pulling head 43 and a bottom collet latch 51 and check valve 45.

An actuator **48** is longitudinally movable in the body **42** for varying the size of the passageway **44** for controlling the flow of gas through the valve **14**. It is noted that the actuator **48** includes a universal joint **84** for allowing the valve **14** to be longitudinally flexible. The variable sized passageway is provided by an orifice ring having a port **50** and a plurality of different sized valve elements, such as valve elements **52**, **54**, **58** and **60**, which are movable relative to the orifice port **50**. The different sized valve elements are connected to the actuator **48** which moves the desired sized valve element **52-60** into the orifice **50** for adjusting the size of the passageway **44** between the valve element and the orifice **50**. A hydraulic piston and cylinder assembly **64** includes a piston **66** and a cylinder **68**, one of which, such as the piston **66**, is connected to the actuator **48**. While the piston and cylinder assembly may be hydraulically actuated one way with a spring return, it is preferable that the assembly **64** be a double acting assembly and is controlled by the hydraulic control lines **36a** and **36b** leading to opposite sides of the piston **66** and controlled hydraulically from the well surface.

Sensing means are connected to the actuator **48** for determining the position of the actuator and thus the size of the variable sized passageway **44**. While any desirable sensing means, such as an electrical position transducer, could be used, the sensing means may include a spring-loaded collet **70** having a series of collet grooves **72**, **74**, **76**, **78** and **80** and a shoulder **82** connected to the actuator **48** movable relative to the grooves **72-80**. Thus, when the shoulder **82** is in the groove **72**, as best seen, the valve element **52** is positioned in the orifice **50**. Movement of the shoulder **82** through the ridges and grooves of the collet **72** will produce peaks and valleys in the hydraulic pressure exerted on the hydraulic piston and cylinder assembly **64** through lines **36a** and **36b** thereby sensing the position of the actuator and thus of the size of the variable passageway **44**.

The valve **14** is shown in FIGS. **1C-1E** in the run-in position, and includes a sleeve **86** which is telescopically movable in the body **40**. The sleeve **86** includes a plurality of openings **88** which, when aligned with the inlet **42**, opens communication with the interior of the body **40**, but in the position shown in FIG. **1D** is shown closing the inlet **42**. A first shoulder **90** and a second shoulder **92** are provided on the actuator **48** for engaging and moving the sleeve **86** in opposite directions as will be discussed hereinafter.

In addition, a valve seat **94** (FIG. **1E**) is shown between the inlet **42** and the outlet **46** and a valve element **96** connected to the actuator **48** is sized to seat on the valve seat **94** for opening and closing the valve seat on movement of the actuator **48**.

As discussed, the variable sized gas lift valve **14** is shown in the open position in FIGS. **1C**, **1D** and **1E** in which the sleeve **86** closes the inlet port **42** and the check valve **45** is in the closed position. When the valve **14** is ready to be moved to the open position, as best seen in FIGS. **9A** and **9B**, the hydraulic piston and cylinder assembly **64** is actuated to move the actuator **48** downwardly moving shoulder **90** against the top of the sleeve **86** thereby moving the ports **88** across seal **87** and adjacent inlet **42**. The valve **14** is now in the open position and since valve element **60** is positioned in the orifice **50**, the valve **14** is now adjusted for maximum flow position which is indicated by the shoulder **72** being positioned in the collet groove **80**. If it is now desired to place the valve **50** in less than the maximum flow position, the hydraulic piston and cylinder assembly **64** is actuated to bring one of the other valve elements **58**, **56**, **54**, or **52** into the orifice **50**.

Referring now to FIGS. **10A** and **10B**, the valve **14** is shown in the closed position without dragging the ports **88**

in the sleeve **86** across the seals **87** and **89** thereby protecting the life of the seals **87** and **89**. In this mode of operation, the hydraulic piston and cylinder assembly **64** is actuated to move the actuator **48** downwardly to seat the valve element **96** on the valve seat **94** and close off flow through the valve **14**. It is to be noted from FIGS. **9A**, **9B**, **10A** and **10B** that the size of the passageway **44** may be adjusted from fully opened to fully closed without operating the sleeve **86**.

However, as best seen in FIGS. **11A** and **11B**, the valve **14** may be placed in a closed position by retracting the sleeve **86** by retracting the hydraulic piston and cylinder assembly **64** thereby moving the actuator **48** to cause the shoulder **92** to engage and retract the sleeve **86** by placing its ports **88** above the seal ring **87**.

While the gas lift valve **14** disclosed hereinabove is of an adjustable type, other types of gas lift valves may be utilized with the mandrel **12** and, of course, the adjustable gas lift valve **14** may be used in other applications other than the mandrel **12**.

Another embodiment of a gas lift valve which is suitable for use in the mandrel **12** and is also suitable for use separate from the mandrel **12** is illustrated in FIGS. **12A**, **12B**, **13** and **14**.

The mandrel **12a** includes a body **16a** and further includes an orienting sleeve and deflector guide (not shown) similar to that previously disclosed and a sidepocket **100** consisting of pocket part **100a** and pocket part **100b** which are secured to the inside of the housing **16a** by welds intermediate their ends and each part has an outside spaced from the inside of the housing **16a** by a boot **102** and **102a**, respectively. The valve, generally indicated by the reference numeral **104**, includes a body **106** having an inlet **108** which is adapted to be in communication with a port **110** in the mandrel housing **16a** a passageway **112**, an outlet **114**, a check valve **116**. A valve consisting of a valve element **118** and seat **120** controls flow of gas through the passageway **110** and is in turn controlled by a gas charged bellows **122** which is connected to and controls the operation of the flow controlling valve **118** and **120**. A gas containing compartment **124** is in communication with the bellows **122**. A setting and pulling head **126** is connected to the body **106** and a collet lock **128** is connected to the body **106** for locking the body in the pocket **100**. The gas lift valve **104** is longitudinally flexible as the gas compartment **124** which may be thin metal or plastic is longitudinally flexible similar to the valve illustrated in U.S. Pat. No. 5,170,815. However, the gas compartment **124** is normally neither stiff enough nor strong enough to withstand the jarring forces necessary to either set or retrieve the valve **104**. Therefore, a plurality of separated longitudinally extending ribs **130** are connected to the head **126** and preferably surrounding the gas containing compartment **124** for providing longitudinal flexibility and longitudinal strength. While the particular valve **104** has been shown, for purposes of illustration, with a bottom latch **128**, a top latch similar to a Camco BK latch may be used instead if desired. In any event, the gas lift valve **104** is longitudinally flexible, spoolable and may be wireline inserted and retrieved in the sidepocket mandrel **12a**.

The present invention, therefore, is well adapted to carry out the objects and attain the ends and advantages mentioned as well as others inherent therein. While presently preferred embodiments of the invention have been given for the purpose of disclosure, numerous changes in the details of construction and arrangement of parts, will readily suggest themselves to those skill in the art, and which are encompassed within the spirit of the invention and the scope of the appended claims.

What is claimed is:

1. A spoolable flexible sidepocket mandrel positioned in a coiled tubing comprising,
 - a flexible spoolable circular housing [having the same size and shape as the coiled tubing and] forming a portion of the coiled tubing, said housing including an open bore communicating with the coiled tubing,
 - an orienting sleeve secured to the inside of the housing for aligning a flow control device in the housing, *and*
 - a sidepocket offset from the open bore for receiving a flow control device[, said pocket including a plurality of separate pocket parts each of which is secured to the inside of the housing, and
 - a deflector guide aligned with the sidepocket, said guide including a plurality of separate guide parts each of which is secured to the inside of the housing].
2. The mandrel of claim 1 including a flexible boot positioned between the orienting sleeve and the inside of the housing.
3. The mandrel of claim 1 including,
 - at least one hydraulic control line within the housing wall.
4. The mandrel of claim [1] 23 including a flexible boot positioned between at least some of the guide parts and the inside of the housing.
5. The mandrel of claim [1] 22 including,
 - a flexible boot positioned between at least some of the pocket parts and the inside of the housing.
6. The mandrel of claim 1 wherein the orienting sleeve has an outside and ends and the outside of the orienting sleeve is spaced from the inside of the housing and the orienting sleeve is secured to the inside of the housing intermediate the ends of the orienting sleeve.
7. The mandrel of claim [1] 22 wherein the pocket parts each have an outside and ends and the outside of the pocket parts is spaced from the inside of the housing and [the] each pocket part is secured to the inside of the housing intermediate the ends of each respective pocket part.
8. The mandrel of claim [1] 23 wherein the guide parts each have an outside and ends and the outside of the guide parts is spaced from the inside of the housing and each guide part is secured to the inside of the housing intermediate the ends of each respective guide part.
9. The flexible sidepocket mandrel of claim 1 including a retrievable, longitudinally flexible, spoolable gas lift valve adapted to be inserted into and retrieved from the sidepocket.
10. The apparatus of claim 9 wherein the gas lift valve comprises,
 - a housing, said housing having an inlet, an outlet, and a flow controlling valve operatively positioned between the inlet and the outlet,
 - a gas charged bellows connected to and controlling the operation of the flow controlling valve,
 - a gas containing compartment in communication with the bellows,

- a setting and pulling head connected to the body, and said body including a plurality of separated longitudinally extending ribs connected to the head for providing longitudinal flexibility and strength.
11. The apparatus of claim 10 wherein the ribs surround the gas containing compartment.
 12. The apparatus of claim 9 wherein the gas lift valve is an adjustable gas lift valve comprising,
 - a body having an inlet, a variable size passageway, and an outlet,
 - an actuator longitudinally movable in the body for varying the size of the passageway,
 - a hydraulic piston and cylinder assembly connected to the actuator for moving the actuator, and
 - sensing means connected to the actuator for determining the position of the actuator.
 13. The valve of claim 12 wherein the variable size passageway includes an orifice port and a plurality of different sized valve elements movable relative to the port.
 14. The valve of claim 13 wherein the different sized valve elements are connected to the actuator.
 15. The valve of claim 14 including,
 - a valve seat between the inlet and the outlet, and
 - one of the valve elements is sized to seat on the valve seat for opening and closing the valve seat on movement of the actuator.
 16. The valve of claim 12 wherein the piston and cylinder assembly is double acting.
 17. The valve of claim 12 wherein the sensing means includes a series of collet grooves and a shoulder movable relative to the grooves.
 18. The valve of claim 12 including a sleeve telescopically movable relative to the body for opening and closing the inlet.
 19. The valve of claim 18 including,
 - first and second shoulders on the actuator for engaging and moving the sleeve in opposite directions.
 20. The valve of claim 12 wherein the actuator includes a universal joint for allowing the valve to be longitudinally flexible.
 21. *The mandrel of claim 1, wherein said flexible spoolable housing has substantially the same size and shape as the coiled tubing.*
 22. *The mandrel of claim 1, wherein said side pocket includes a plurality of separate pocket parts each of which is secured to the inside of the housing.*
 23. *The mandrel of claim 1, further comprising a deflector guide aligned with the sidepocket, said guide including a plurality of separate guide parts each of which is secured to the inside of the housing.*
 24. *The mandrel of claim 22, further comprising a deflector guide aligned with the sidepocket, said guide including a plurality of separate guide parts each of which is secured to the inside of the housing.*

* * * * *