



US00RE35569E

# United States Patent [19]

[11] E

Patent Number: **Re. 35,569**

Willis et al.

[45] **Reissued** Date of Patent: **Jul. 29, 1997**

[54] **MAIL BOX**

2,578,692	12/1951	Gieseler	232/19
2,578,693	12/1951	Gieseler	232/19
2,873,062	2/1959	Cornell	232/17
3,602,423	8/1971	Corkery	232/17

[75] Inventors: **Tucker Willis; John T. Coursey**, both of Dallas, Tex.

[73] Assignee: **Chaenomeles, Inc.**, Dallas, Tex.

*Primary Examiner*—Doris V. Coles  
*Attorney, Agent, or Firm*—Jenkins & Gilchrist, a Professional Corporation

[21] Appl. No.: **51,312**

### [57] CLAIM

[22] Filed: **Nov. 30, 1995**

The ornamental design for the mail box, as shown and described.

### Related U.S. Patent Documents

### DESCRIPTION

Reissue of:

[64] Patent No.: **Des. 354,828**  
Issued: **Jan. 24, 1995**  
Appl. No.: **15,051**  
Filed: **Nov. 4, 1993**

FIG. 1 is a perspective view of the mail box;  
FIG. 2 is a front elevational view of the mail box;  
FIG. 3 is a side elevational view taken from the right side of the mail box which is [identical to the] *a mirror image of a side elevational view taken from the left side of the mail box*;  
FIG. 4 is a rear elevational view of the mail box;  
FIG. 5 is a top plan view of the mail box; and,  
FIG. 6 is a bottom plan view of the mail box.

- [51] LOC (6) Cl. .... **99-00**
- [52] U.S. Cl. .... **D99/33**
- [58] Field of Search ..... D99/32, 33, 34;  
232/34, 35, 37, 17, 24

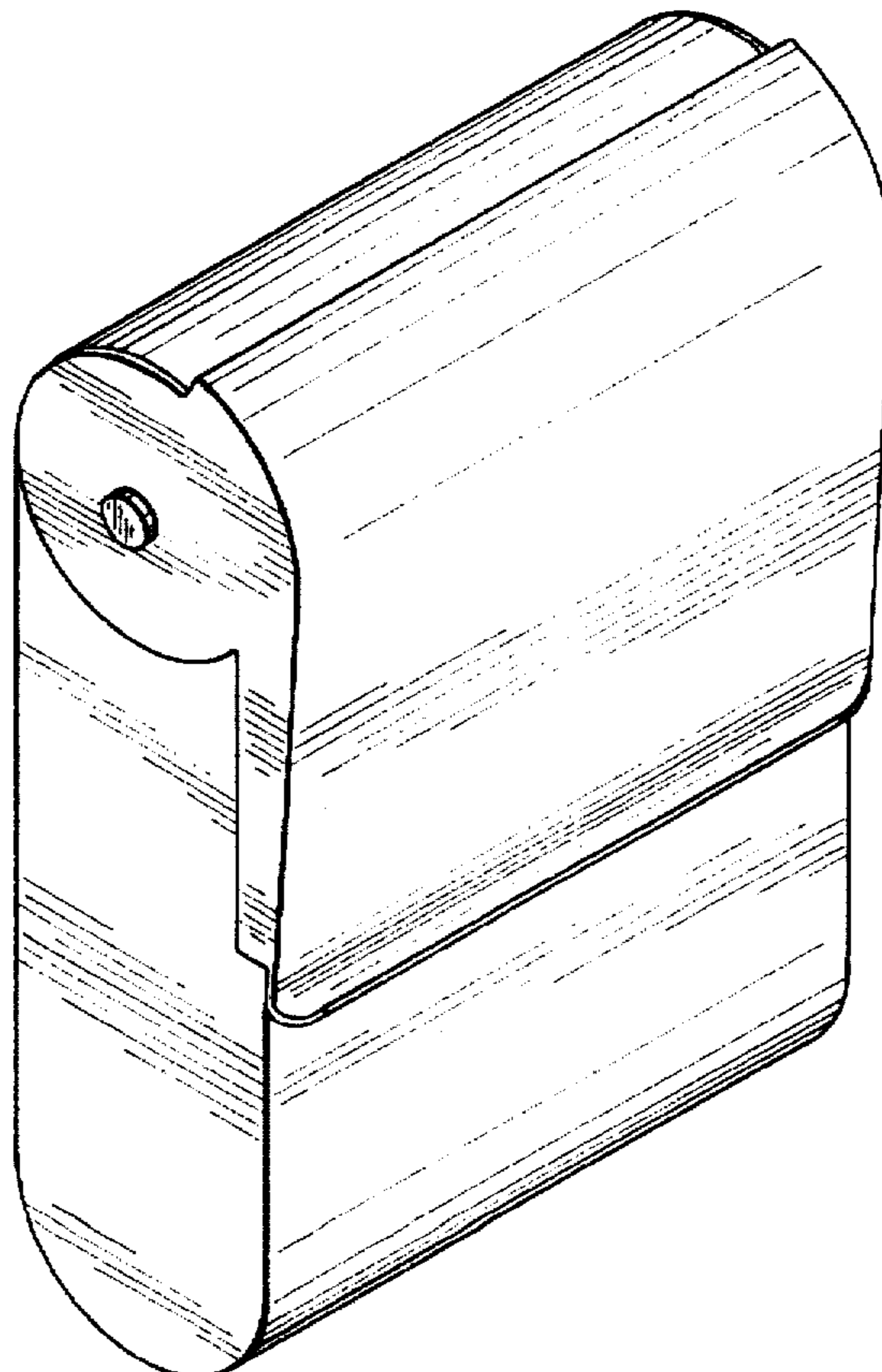
### [56] References Cited

**1 Claim, 2 Drawing Sheets**

#### U.S. PATENT DOCUMENTS

D. 166,748	5/1952	Gosweiler	D99/33
D. 176,539	1/1956	Levine	D99/33
724,092	3/1903	Forney	
743,104	11/1903	Roesch	D99/32
2,578,691	12/1951	Gieseler	232/17

**Matter enclosed in heavy brackets [ ] appears in the original patent, but forms no part of this reissue; matter printed in italics indicates the additions made by reissue.**



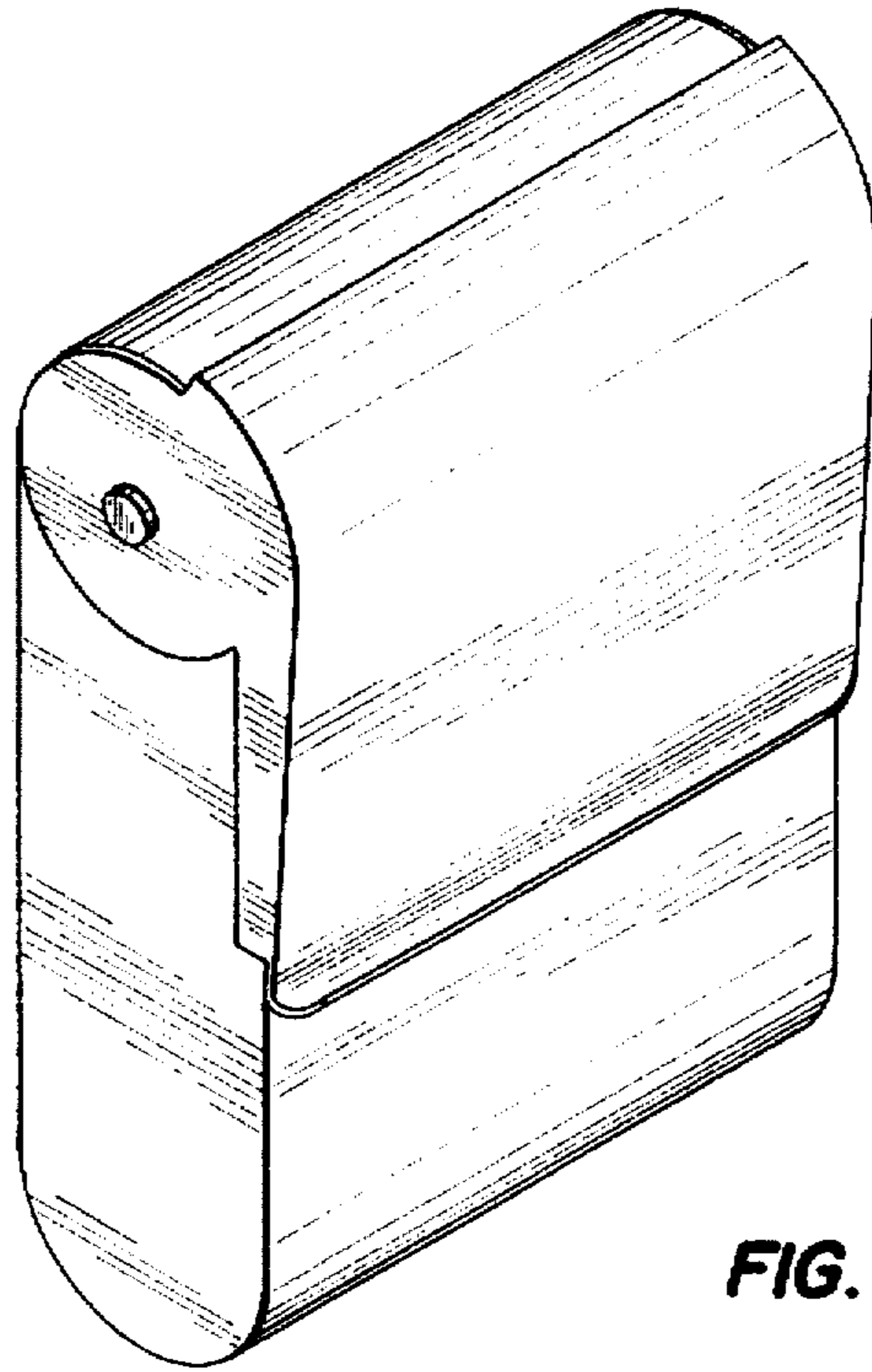


FIG. 1

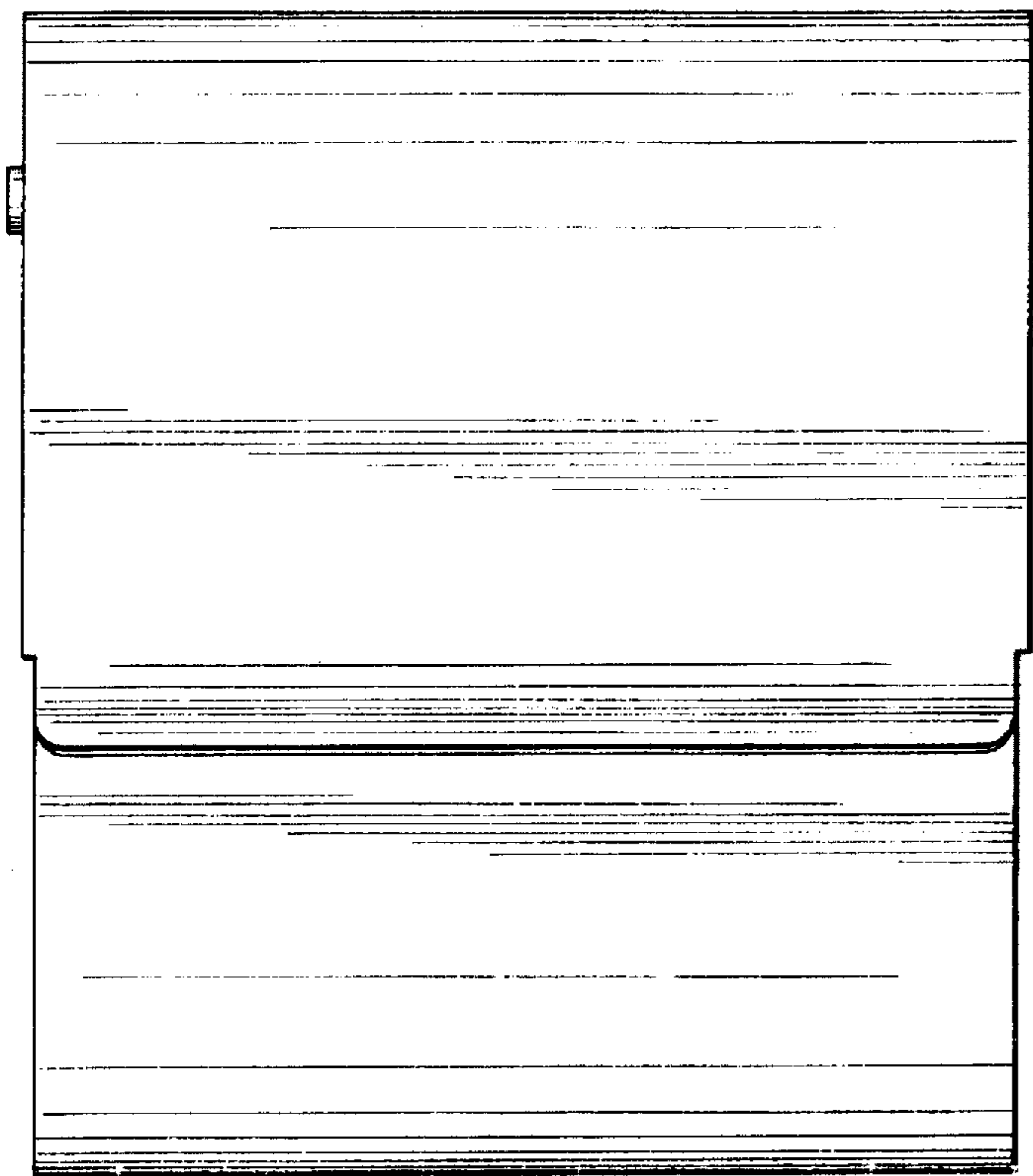


FIG. 2

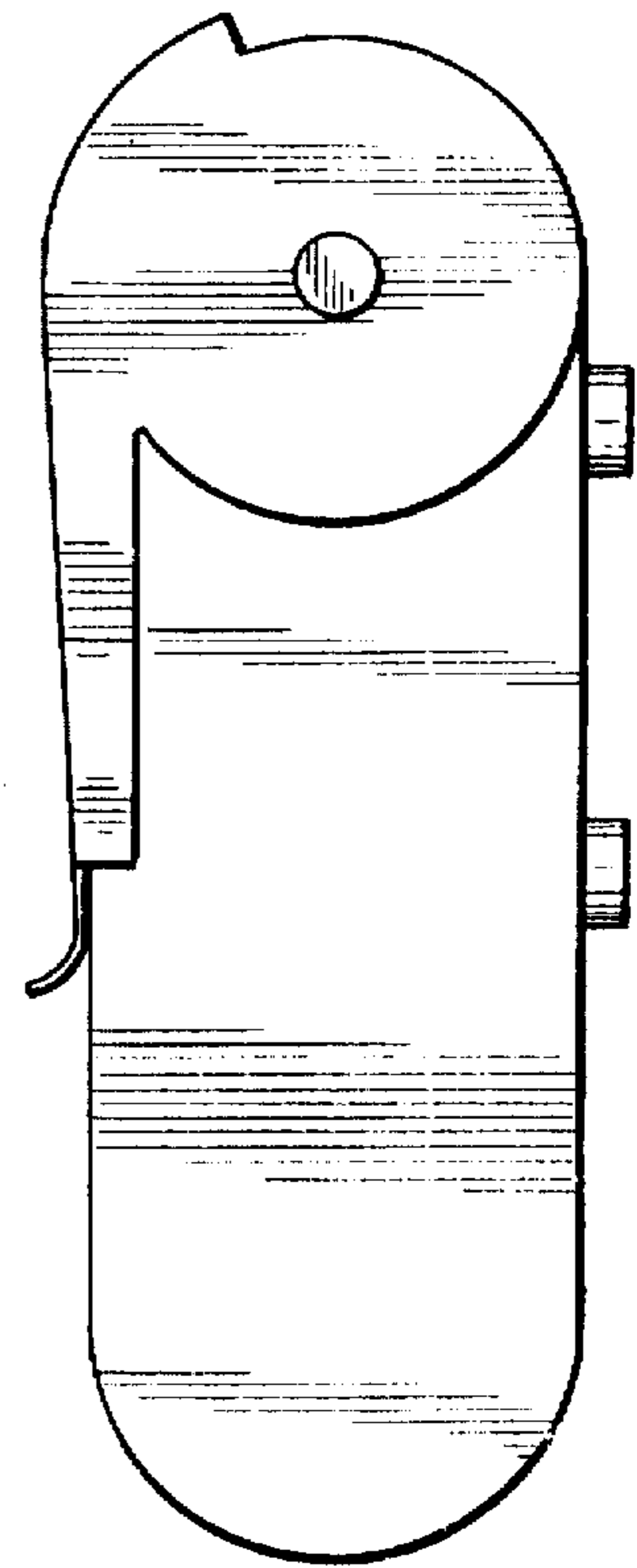
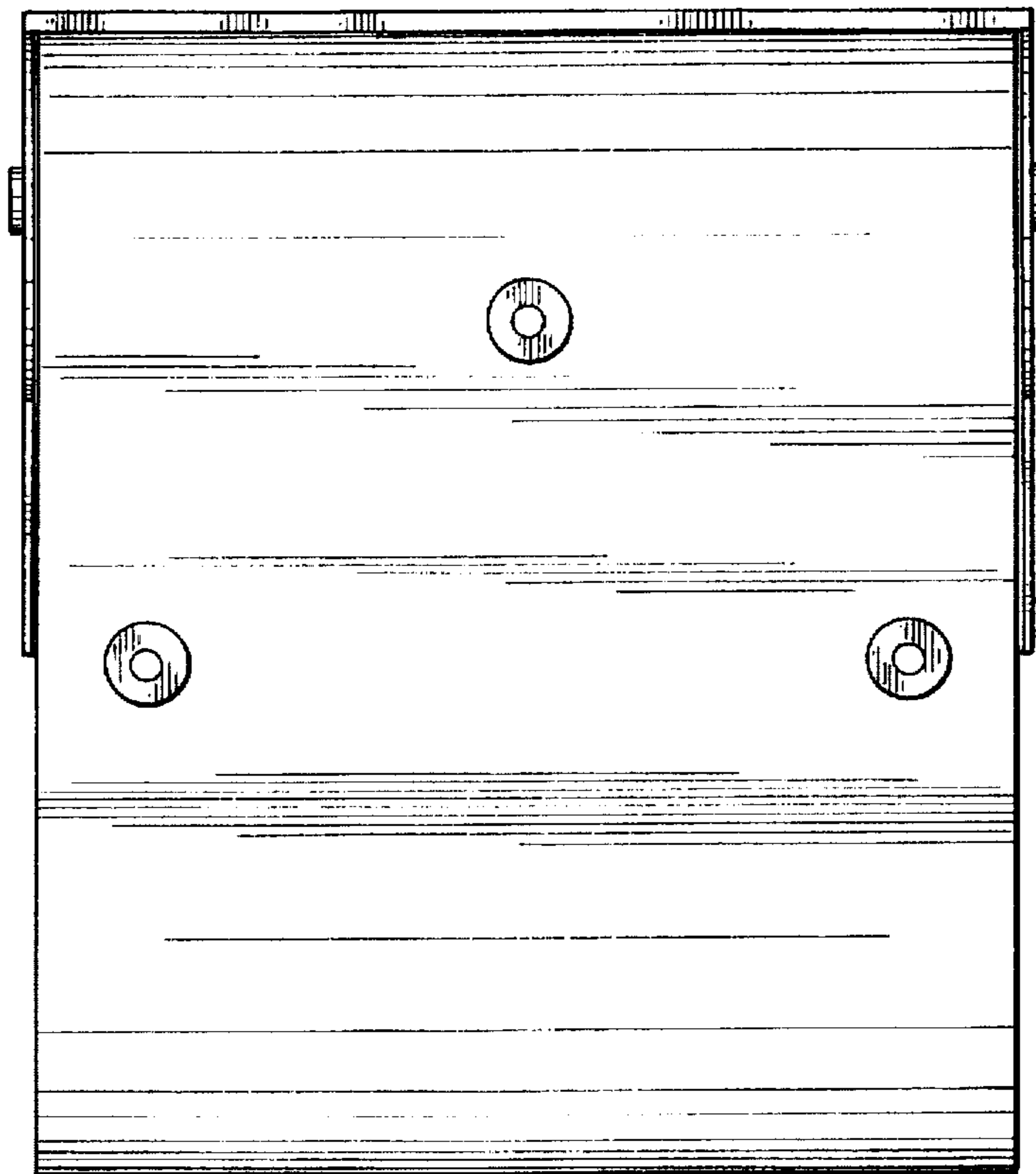
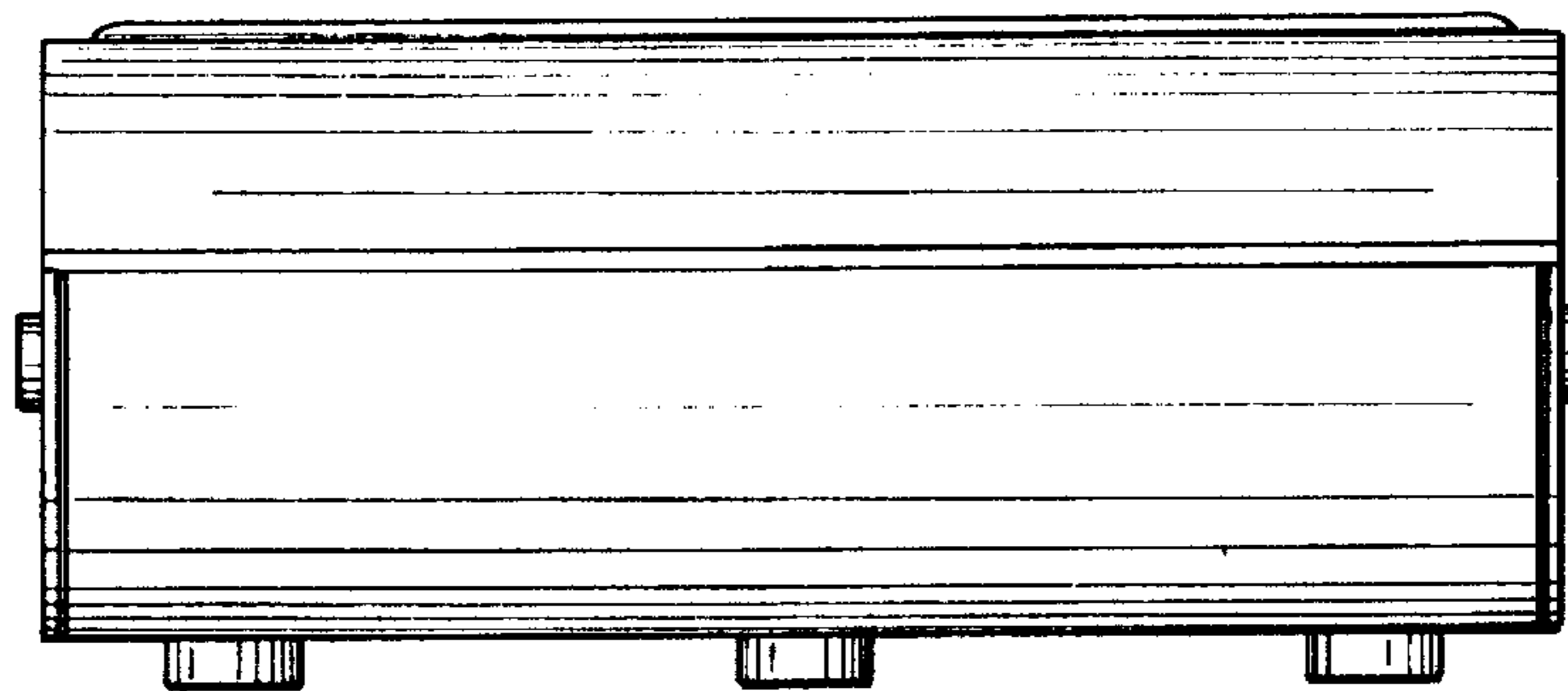


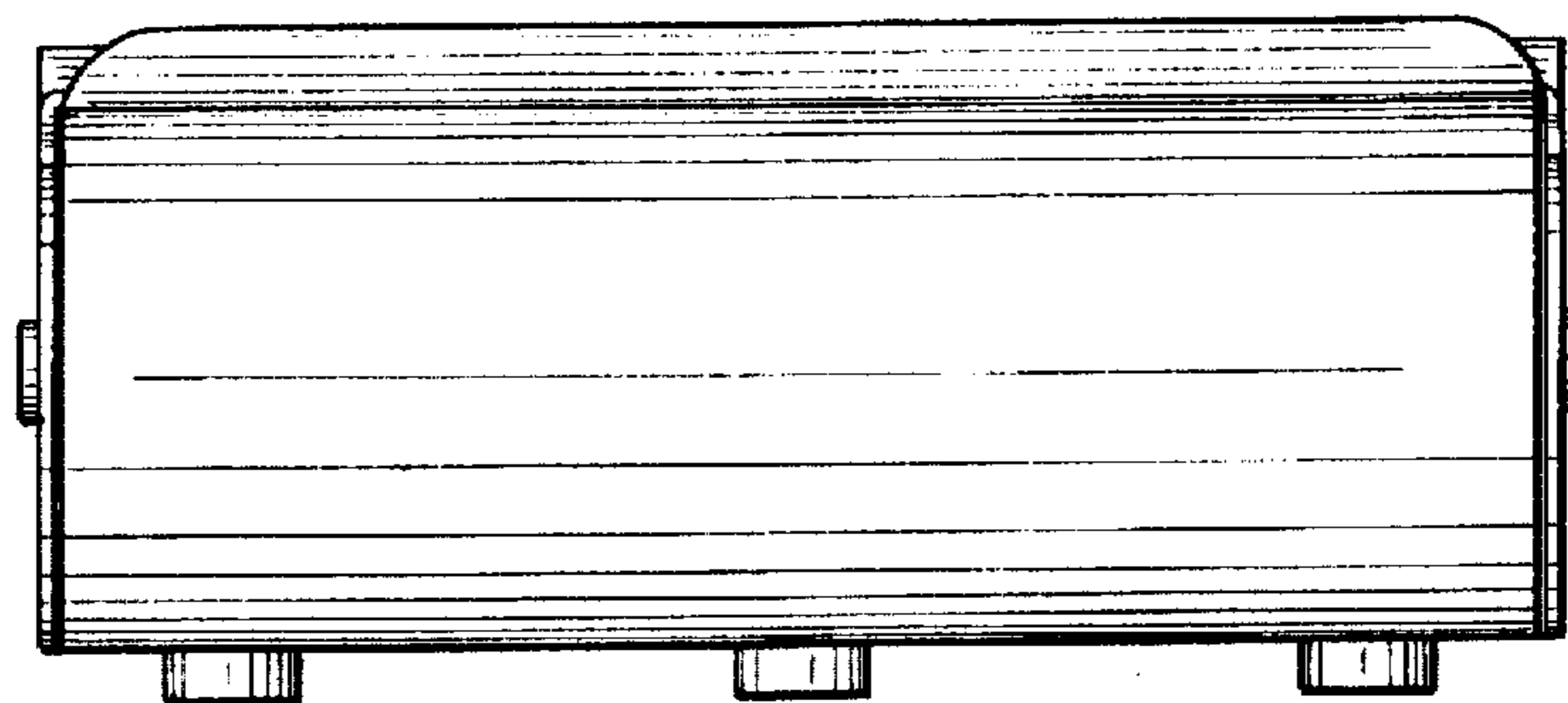
FIG. 3



**FIG. 4**



**FIG. 5**



**FIG. 6**