



US00RE35099E

United States Patent [19] Hill

[11] E

Patent Number: Re. 35,099

[45] Reissued Date of Patent: Nov. 28, 1995

[54] FLUID FRACTIONATOR

[75] Inventor: Charles C. Hill, Del Mar, Calif.
[73] Assignee: SeQual Technologies, Inc., San Diego, Calif.
[21] Appl. No.: 131,761
[22] Filed: Oct. 1, 1993

Table of references with columns for patent number, date, inventor, and classification code.

Related U.S. Patent Documents

Reissue of:
[64] Patent No.: 5,112,367
Issued: May 12, 1992
Appl. No.: 660,177
Filed: Feb. 25, 1991

U.S. Applications:
[63] Continuation of Ser. No. 438,786, Nov. 20, 1989, abandoned.

[51] Int. Cl. B01D 53/04
[52] U.S. Cl. 95/98; 95/130; 96/124; 96/130
[58] Field of Search 95/95-105, 117, 95/121, 122, 130, 148; 96/121, 124, 130, 133, 143, 144

[56] References Cited

U.S. PATENT DOCUMENTS

Table of U.S. Patent Documents with columns for patent number, date, inventor, and classification code.

FOREIGN PATENT DOCUMENTS

Table of Foreign Patent Documents with columns for number, date, country, and classification code.

OTHER PUBLICATIONS

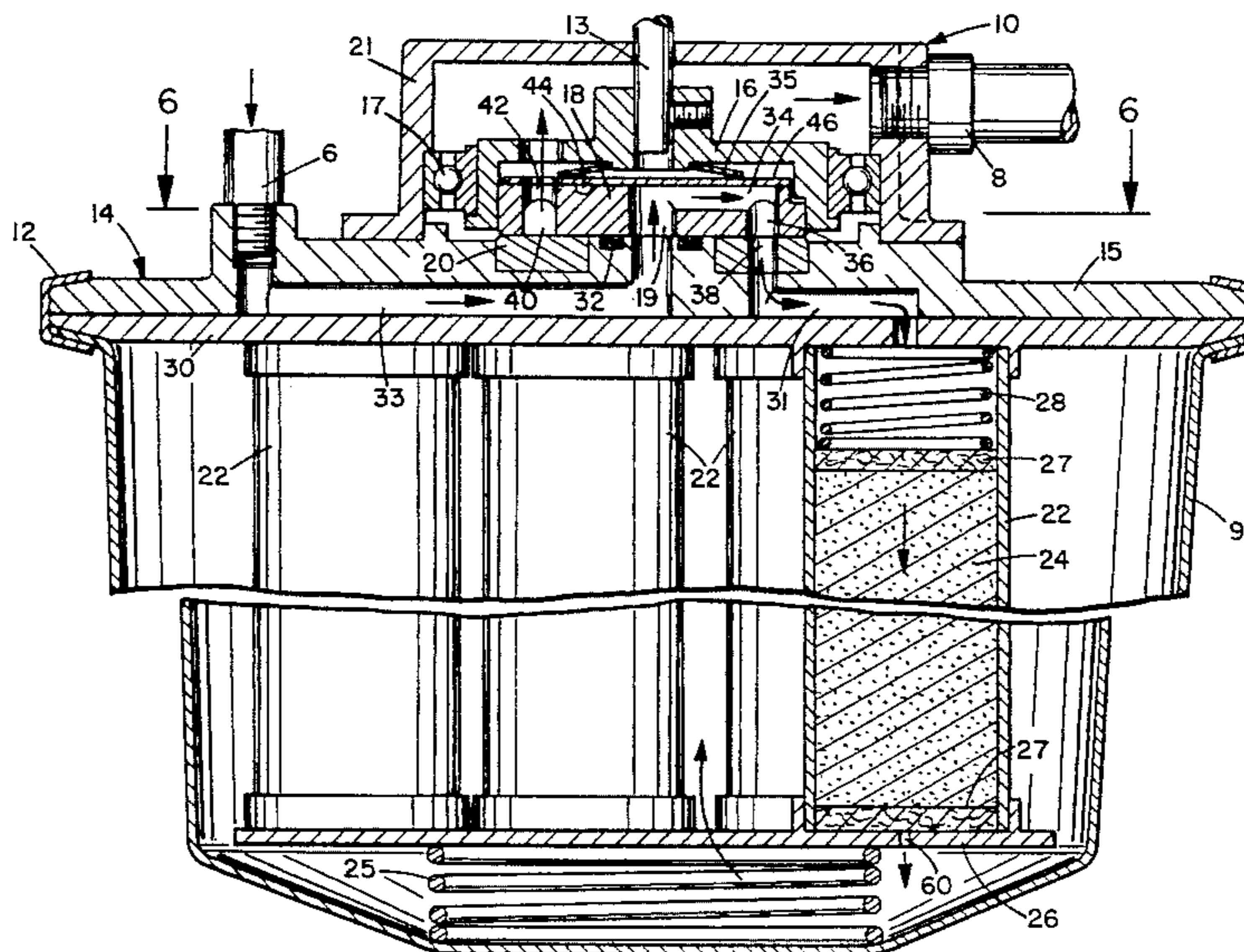
Nemmers, Compressed Air, pp. 11-14 (Sep. 1959).
Breck et al., Chem. Engrg. Prog., pp. 43-53 (Oct. 1977).
Lukchis, "Adsorption Systems", Linde Bulletin F-4164; reprinted from Chem. Engrg. (Jul. 11; Jul. 9 and Aug. 6, 1973).

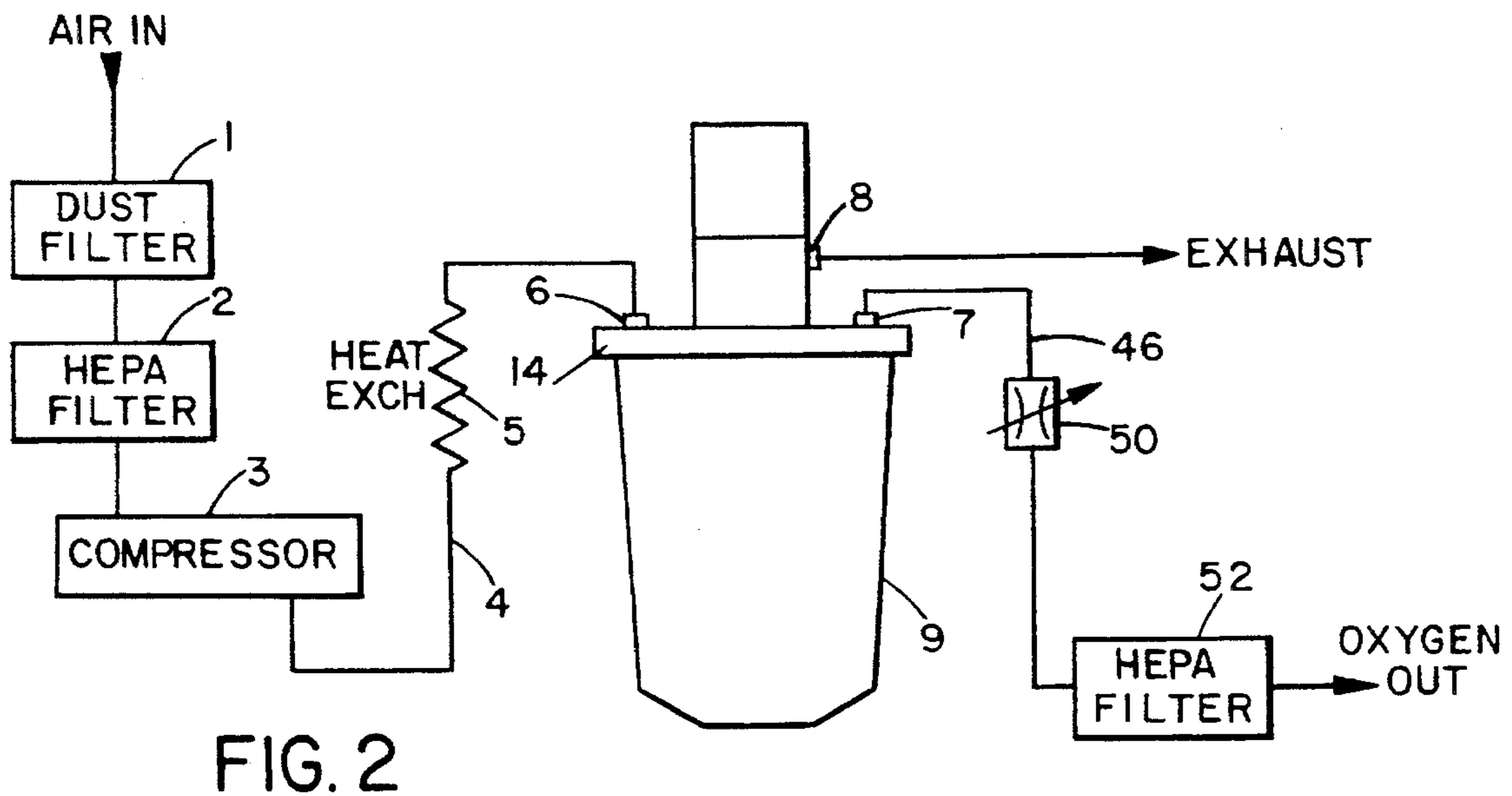
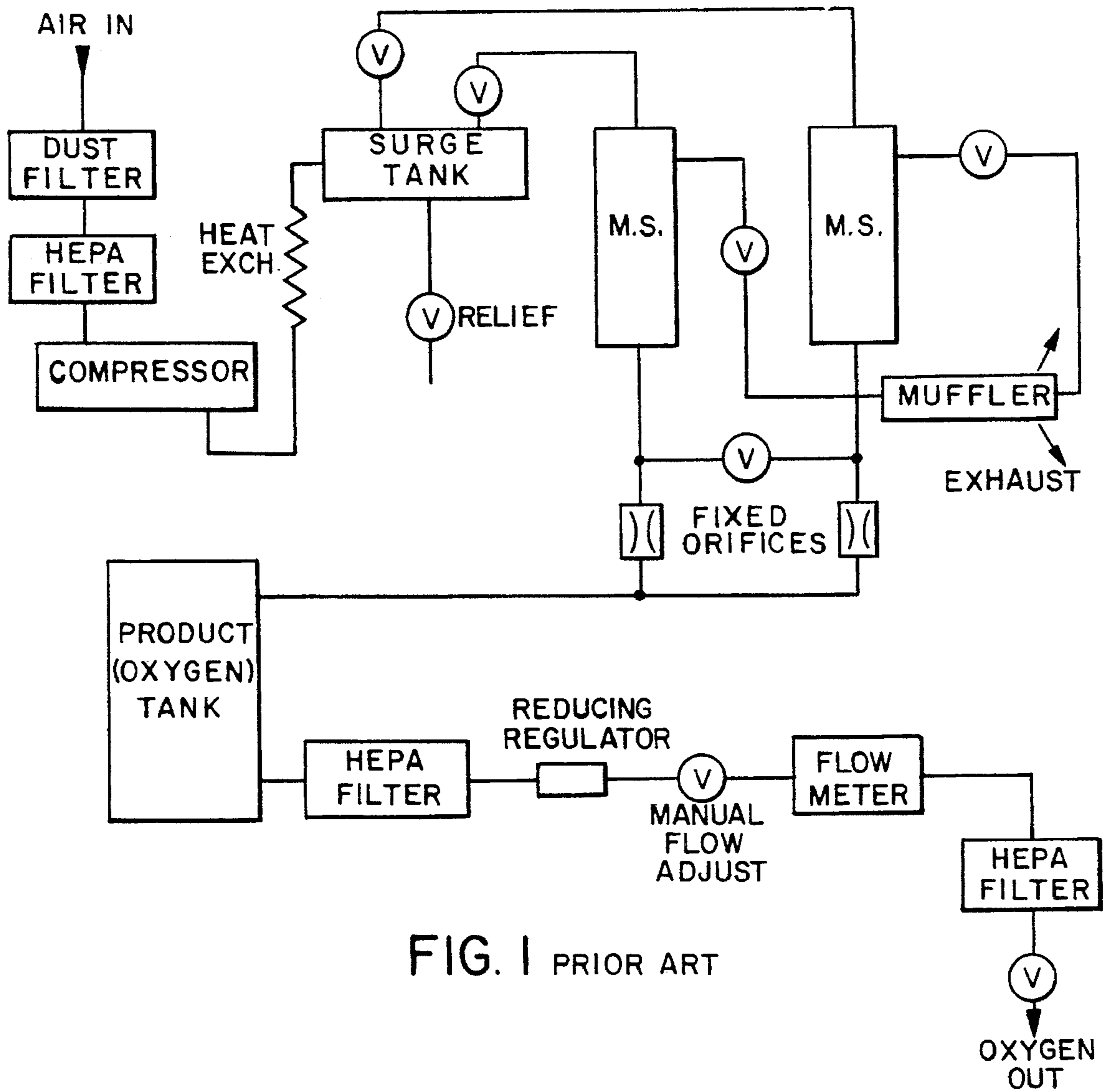
Primary Examiner—Robert Spitzer
Attorney, Agent, or Firm—Ellsworth R. Roston; Charles H. Schwartz

[57] ABSTRACT

An improved apparatus for fractionating fluid mixtures by pressure swing molecular adsorption employing a rotary distributor valve and an array of adsorber columns. The columns are contained within a product holding tank. The valve sequences to provide a quasi steady-state flow, allowing optimization of adsorption/desorption cycles, and eliminating most of the valves, switches and plumbing usually required.

38 Claims, 4 Drawing Sheets





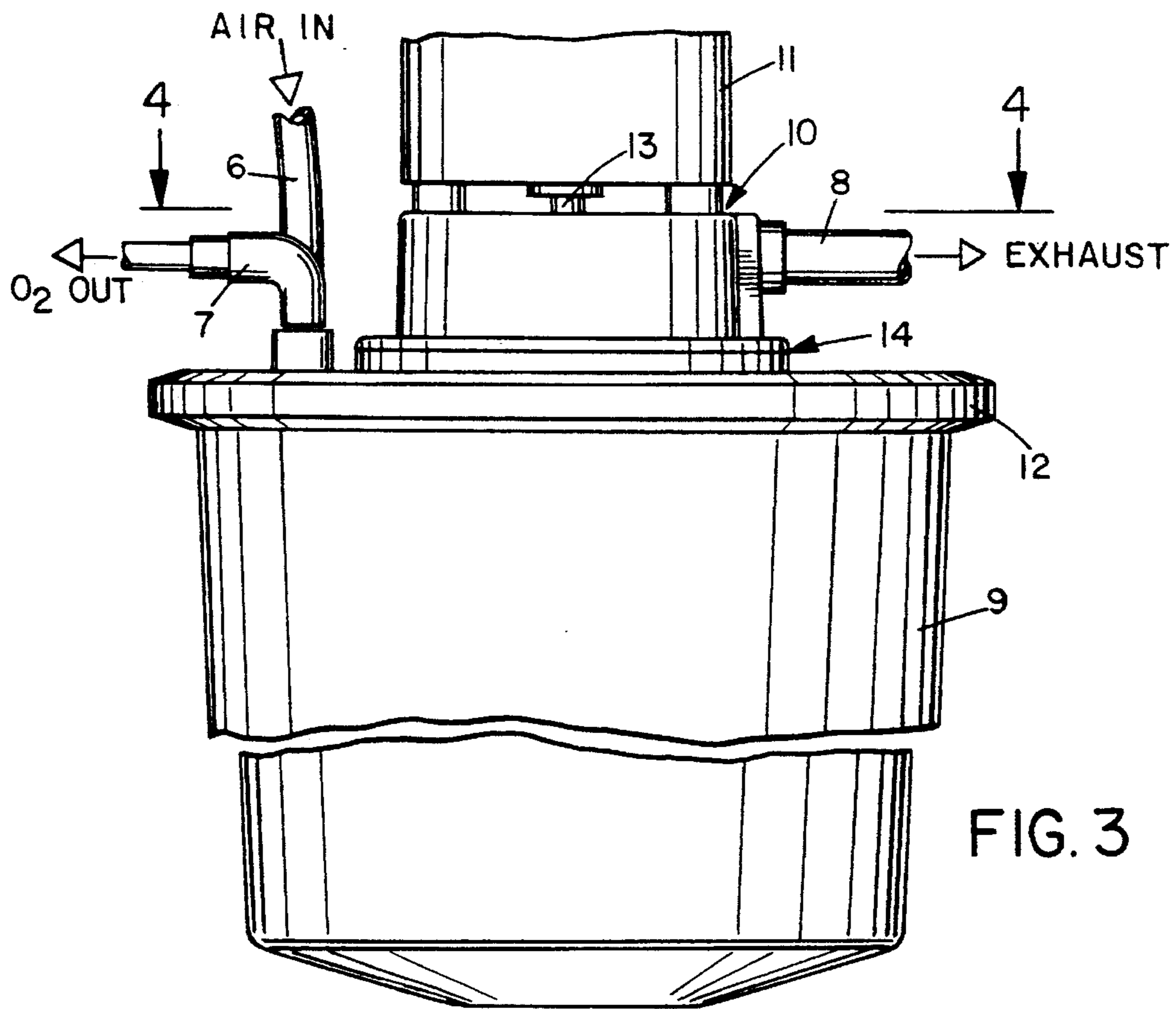


FIG. 3

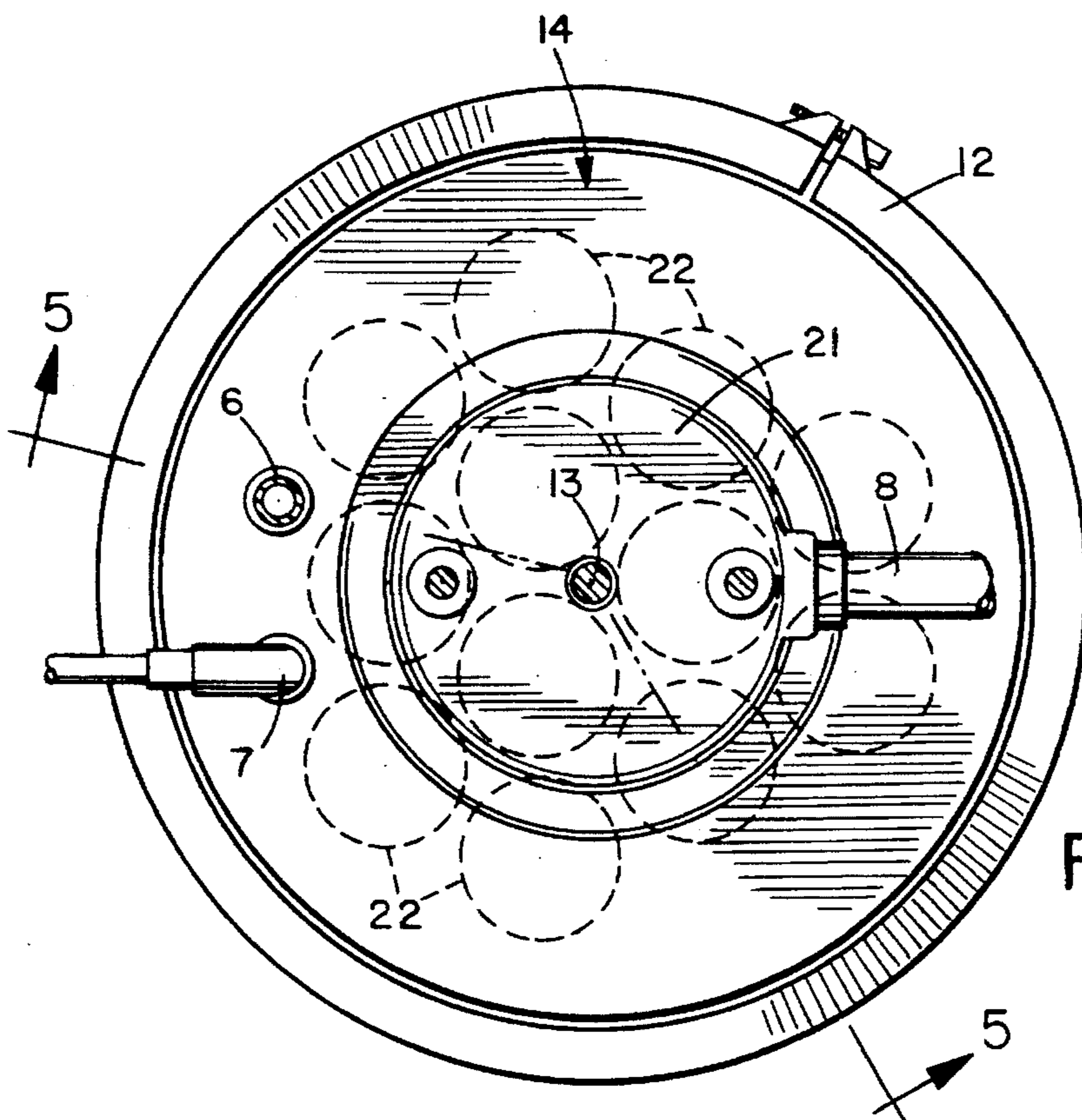


FIG. 4

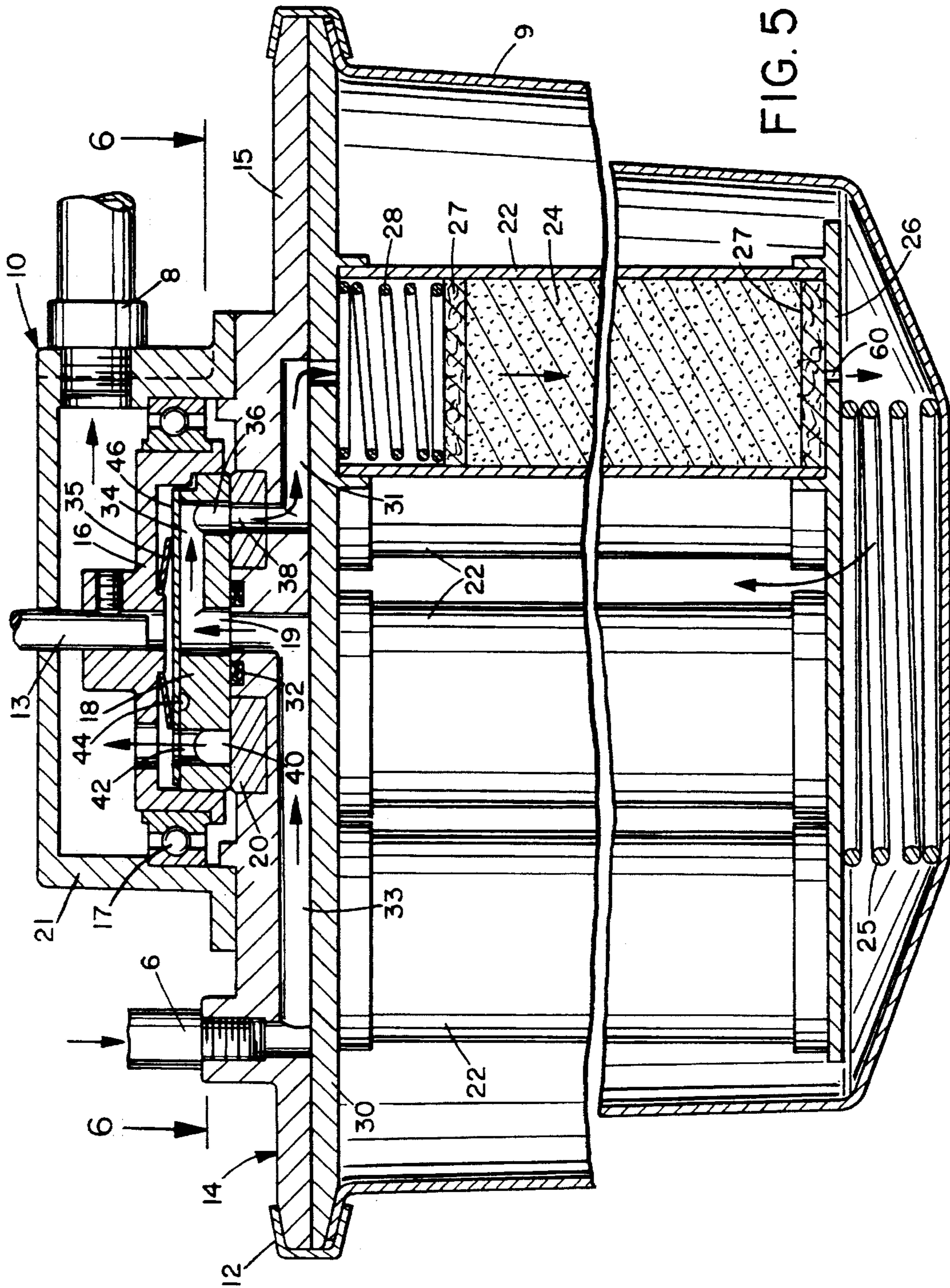


FIG. 5

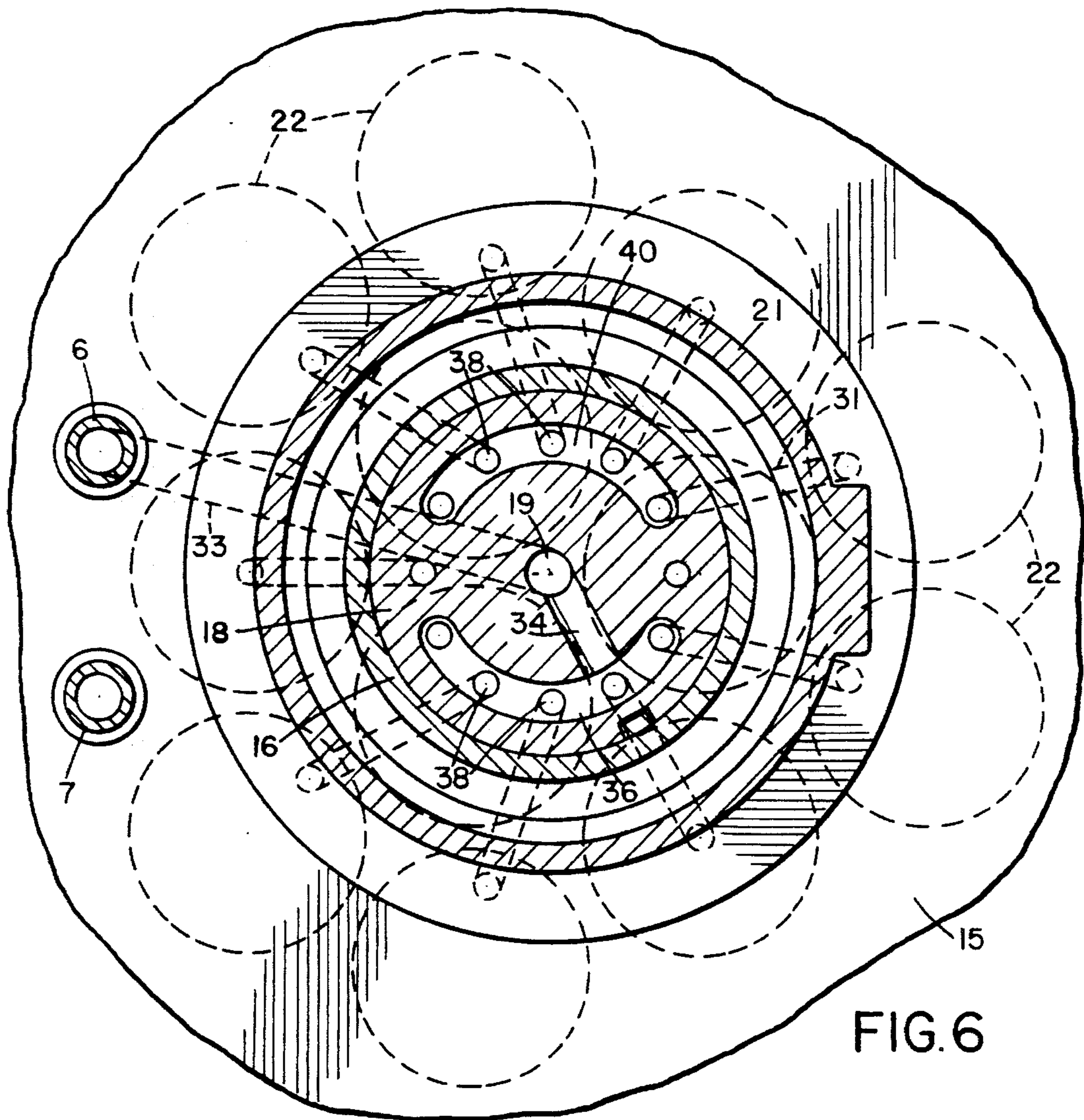


FIG. 6

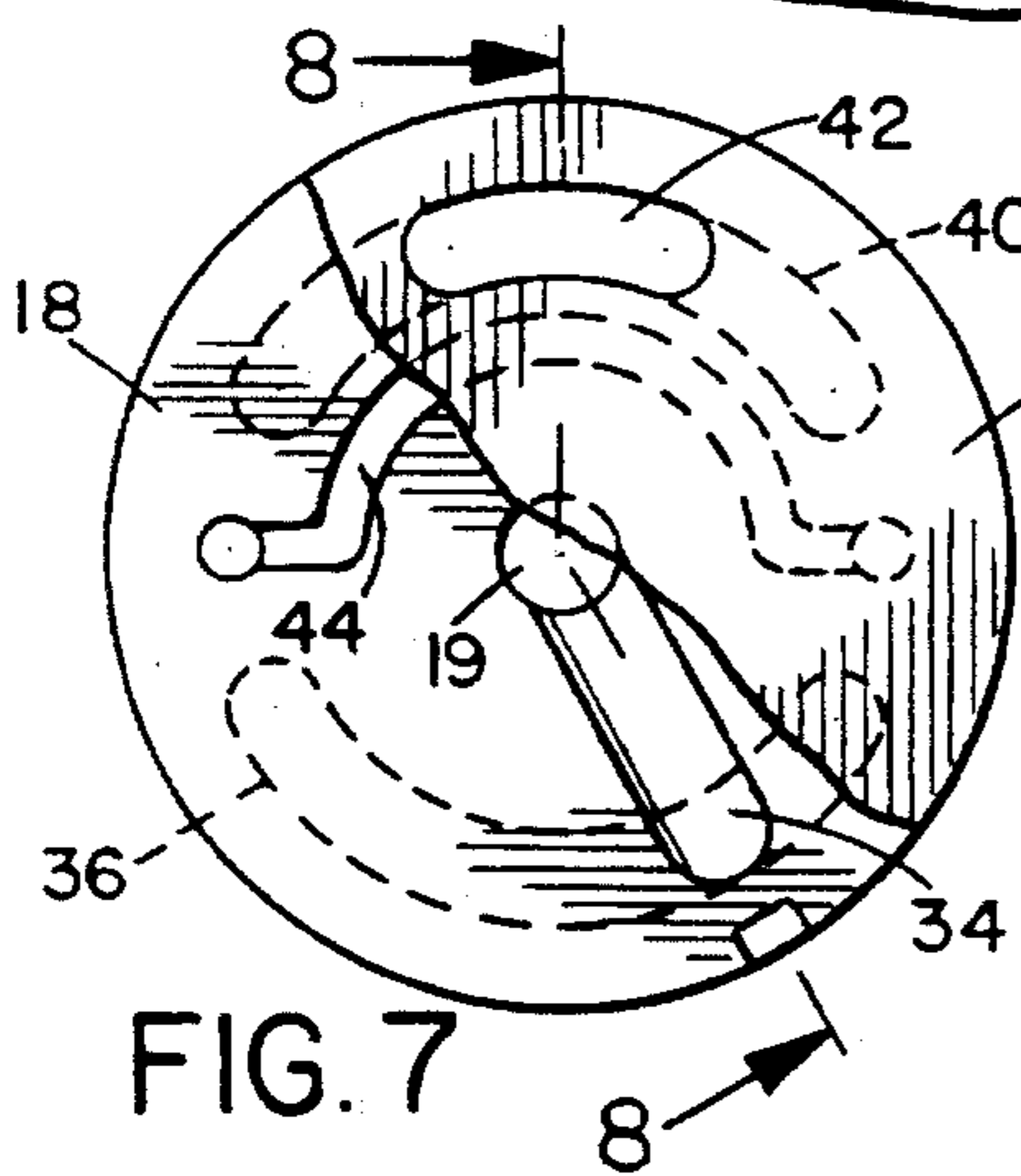


FIG. 7

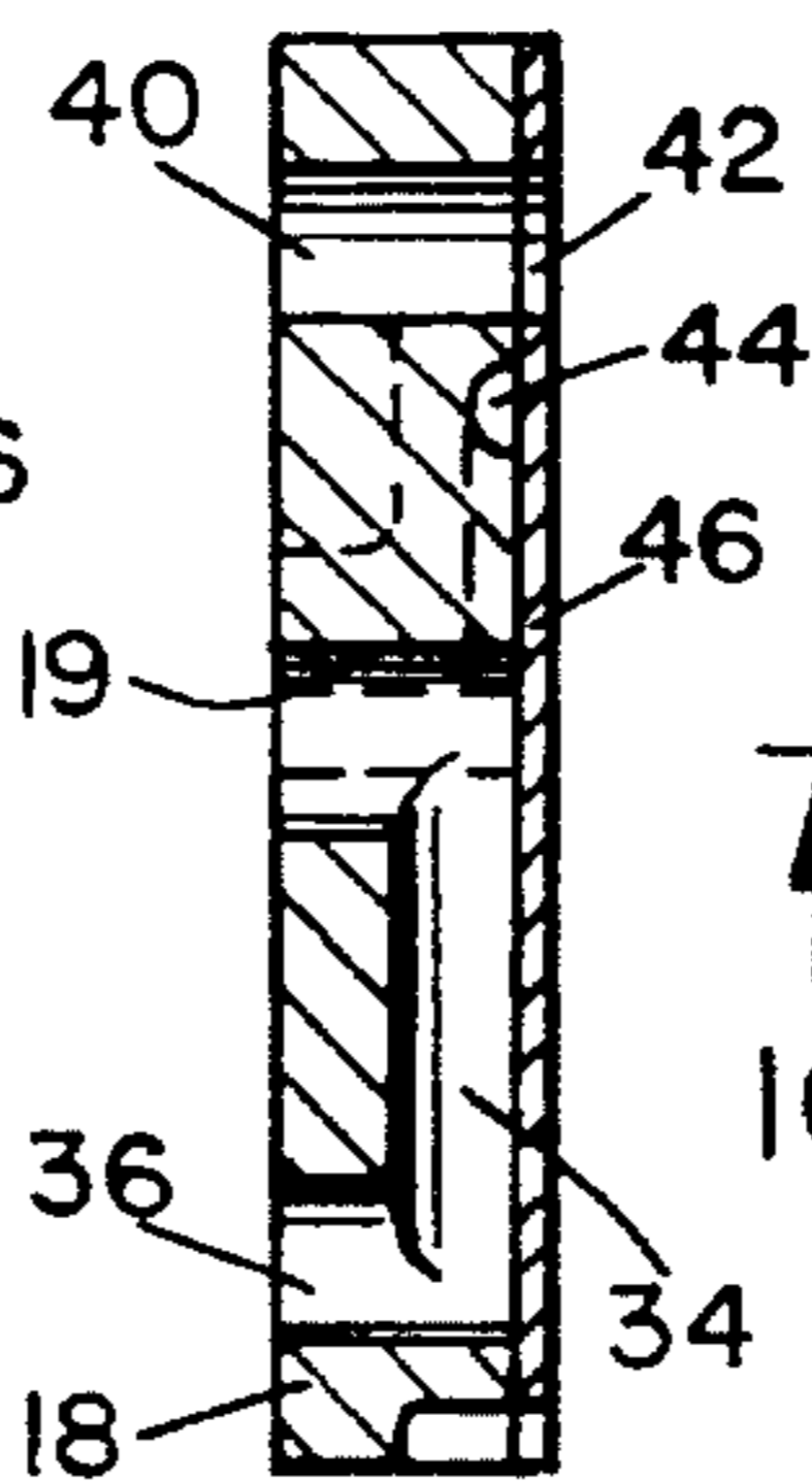


FIG. 8

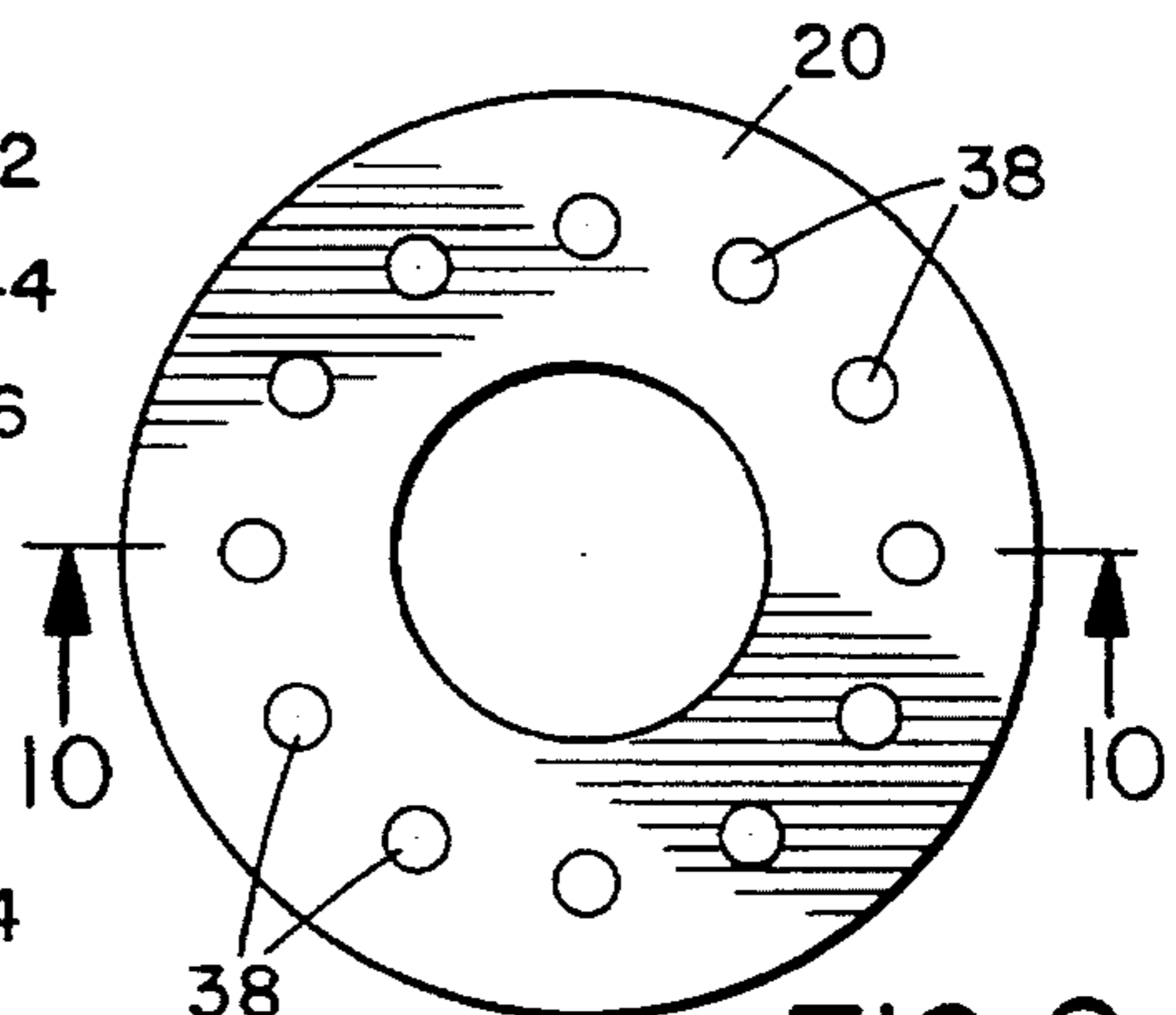


FIG. 9

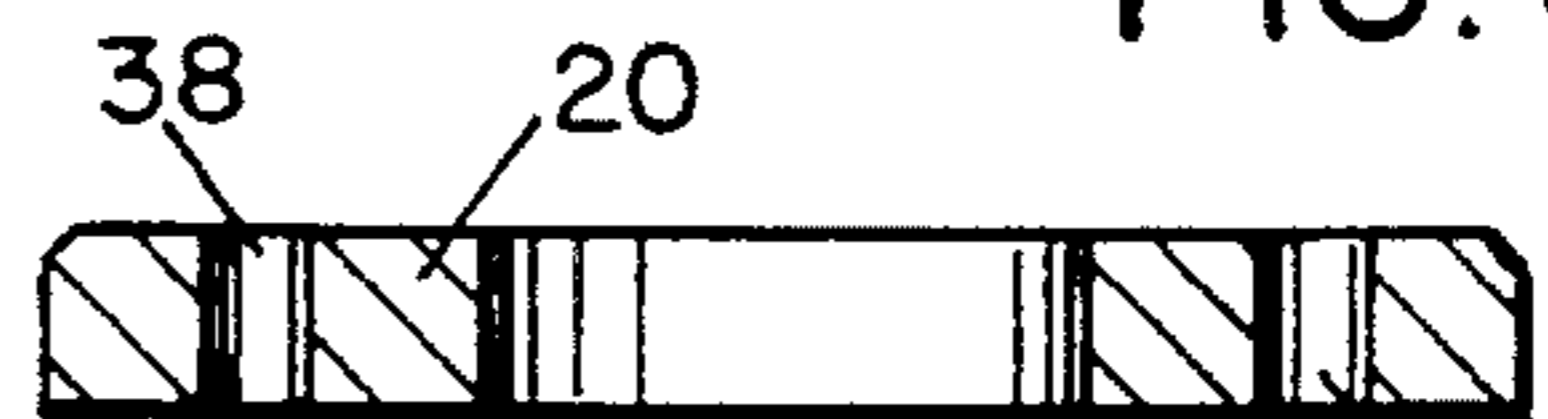


FIG. 10

## FLUID FRACTIONATOR

Matter enclosed in heavy brackets [ ] appears in the original patent but forms no part of this reissue specification; matter printed in italics indicates the additions made by reissue.

This is a continuation of application Ser. No. 07/438,786 filed Nov. 20, 1989, now abandoned.

## BACKGROUND OF THE INVENTION

## 1. Field of the Invention

This invention relates to an improved apparatus and method for purifying a fluid product by removing certain components of a fluid mixture or contaminants from a source of a single fluid. Since this invention is effective in separation of gases and liquids, depending on circumstances, the term fluid will be used as much as possible. It is understood that the term includes gases and liquids. Although focus is directed to the medical use as a respiratory support in the present embodiment, this invention is also useful in other situations where zeolites and sieve materials are employed, for example oil refinery, procedures.

## 2. Description of the Related Art

The use of selectively adsorbent molecular sieve materials having uniform pore sizes in separation of fluid components has been in practice since about 1948, with the first industrial research efforts occurring at Union Carbide Corporation. Based on the first experimental observations of the adsorption of gases on naturally occurring zeolites and the behavior of the latter as molecular sieves by Barrer in 1945 (J. Soc. Chem. Ind., 64:130), Milton and coworkers at Union Carbide synthesized the first industrial zeolite molecular sieves in 1948 (R. M. Milton, *Molecular Sieves*, Soc. Chem. Ind., London, 1968, p. 199), and they were test marketed in 1954.

Most separations of fluid mixtures by adsorption require regeneration of the adsorbent after saturation with the adsorbate. Since most separations are performed on fixed-bed columns, complex mechanisms involving intricate networks of interconnected and interoperating valves and switches have been devised to implement adsorption and desorption cycles in order to facilitate regeneration.

Costly and elaborate equipment like that described above is suitable for large scale commercial operations where the equipment is constantly monitored by competent technicians. However, in dealing with the problem of supplying relatively small quantities of oxygen to patients, especially at home, size, ease of operation and, even more importantly, reliability are the primary concerns.

The use of synthetic molecular sieves in a two-bed, pressure swing adsorber for separation of oxygen from air for medical and industrial applications became commercially practical in the early 1970's and many manufacturers now build such equipment.

The components in a typical two column system currently available are:

Air compressor  
Heat exchanger  
Air receiver or surge tank  
Two molecular sieve chambers  
Two pressure dropping orifices  
Product tank (oxygen receiver)  
Four or five two-way solenoid operated directional flow control valves (or, alternatively, one 4-way valve and one 2-way valve)

Electrical or electronic sequencing timer control for the valves

Pressure reducing regulator for oxygen product flow

Intake and exhaust silencers

5 Intake and product filters

Adjustable flow control valve for oxygen product flow

Connecting tubing and fittings to conduct fluid flows into and out of components

10 The above list of components clearly indicates the complexity of a typical medical oxygen concentrator (or respiratory support system), requiring a network of interconnected parts acting in concert. This complexity can give rise to the prospect of decreased reliability, and the chance that some component will malfunction, or a connection leak will develop, rendering the entire apparatus incapable of performing its life-support function.

The compressor discharge profile in a two column system, when plotted against time manifests a "sawtooth" pattern which is responsible for shortening compressor valve and bearing life, requiring an air receiver or surge tank to limit such fluctuation. This cyclic flow in the two column adsorber also produces large pressure variations in product gas flow, requiring the use of a pressure reducing regulator in the dispensing conduit. The abrupt, large pressure changes also require extensive silencing.

25 Furthermore, to provide an ambulatory patient with acceptable mobility and quality of life, a supplementary oxygen supply system must be reliable, economical, compact, portable and light in weight. The instant invention provides a system which addresses all these parameters.

## SUMMARY OF THE INVENTION

This invention encompasses an improved apparatus for fractionating a fluid mixture by pressure swing molecular adsorption. This apparatus contains a plurality of adsorber columns and a chamber functioning as a purified product holding tank.

40 The heart of the apparatus is a unique, rotary distributor valve assembly for sequentially pressurizing and exhausting each column. This allows pressurization of one of the columns while simultaneously purging the adsorbent medium in another of such columns.

45 This invention further encompasses an improved process for removing fluid components by selective adsorption of particular fluids from a stream of a mixture of fluids or a contaminating fluid component from a stream of a single fluid.

50 An incoming stream of a pressurized fluid mixture is sequentially distributed by means of a rotating member of the rotary distributor valve into a plurality of columns packed with an adsorbent which is selective for the fluid or the contaminant fluids to be removed. The contaminants are retained by the adsorbent and the desired product fluid is allowed to pass through. By simultaneously refluxing product fluid under low pressure, through columns other than columns being pressurized, the contaminant is desorbed and exits the system.

60 The ability to manipulate the adsorption/desorption profile by selecting the relative size of pressurizing and exhaust channels in the rotor shoe of the distributor valve is a unique feature not found in existing oxygen concentrator systems.

A novel, smaller, smoother in operation, simpler and more reliable apparatus for providing supplementary oxygen to patients is presented below as an exemplary embodiment of the instant invention. An improved method of fractionating

fluid mixtures, which arises out of judicious use of the described apparatus is also presented.

### BRIEF DESCRIPTION OF THE DRAWINGS

FIG. 1 depicts schematically a typical two-column adsorbent fractionating prior art system commercially available.

FIG. 2 is a schematic representation of the entire fluid fractionator respiratory support system of the instant invention.

FIG. 3 is a side elevation view of the apparatus which is the subject of this invention

FIG. 4 is a view taken on line 4—4 of FIG. 3.

FIG. 5 is an enlarged sectional view taken on line 5—5 of FIG. 4.

FIG. 6 is a sectional view taken on line 6—6 of FIG. 5.

FIG. 7 is a top plan view, partially cut away, of the rotor shoe;

FIG. 8 is a sectional view taken on line 8—8 of FIG. 7;

FIG. 9 is a top plan view of the port plate; and

FIG. 10 is a sectional view taken on line 10—10 of FIG. 9.

### DESCRIPTION OF THE PREFERRED EMBODIMENT

FIG. 1 depicts schematically a typical small two-column oxygen concentrator commercially available for patient use. It can readily be seen from the schematic diagram that a typical medical oxygen concentrator is a complex machine, with a multitude of interconnected and interacting parts. Attendant with this manifold complexity is the prospect of decreased reliability, or the increased chance that some component will fail, rendering the entire apparatus incapable of performing its life-supporting function.

The apparatus of this invention, with its unique design which requires far fewer parts, will be described by following a volume of mixed fluids (air in this case) as it moves through the fractionation procedure. In FIG. 2, ambient air is drawn in through a pair of filters, one dust 1 and one high efficiency particle arrestor (HEPA) 2 connected in series, by a compressor 3. The air is compressed and forced within a conduit 4 into a heat exchanger 5. The heat exchanger removes most of the heat of compression before the air is fed into the inlet port 6 of the fluid fractionator. The cooling air in the exchanger is provided by a fan mounted on the compressor shaft, thereby, obviating the requirement of an additional motor and energy source. After most of the nitrogen is removed by the adsorber columns of the fractionator, an oxygen-rich fraction is tapped off through an outlet port 7 to the dispensing conduit, while the desorbed nitrogen is purged by the balance of the oxygen-rich product flow and leaves through an exhaust port 8.

The fluid fractionator, in FIG. 3, comprises a product holding tank 9 containing a cluster or array of adsorber columns within its holding, a rotary valve distributor 10 and a gear motor 11.

FIG. 4, a view taken on line 4—4 of FIG. 3, shows the arrangement of an array of columns 22 within the holding tank relative to the inlet 6, outlet 7 and exhaust 8 ports of the rotary distributor valve assembly, which is affixed to the holding tank by means of a clamp band 12. Twelve columns are shown in this case but there could be any number of two or more.

The rotary distributor valve depicted in FIG. 5, which is an enlarged sectional view taken on line 5—5 of FIG. 4, comprises a ported and channeled two-piece manifold 14 and a rotor 16 with a ported rotor shoe 18 and a cover plate 46, the rotor 16 being driven by a gear motor 11 (FIG. 3) at about two revolutions per minute with the rotor 16 turning in circumferential ball bearing unit 17. Conical disk or Belleville spring 35 urges cover plate 46 and rotor shoe 18 downward to secure them in position. The rotor 16 and its associated components are enclosed by cover 21, which is attached to manifold 14.

Following the arrows indicating fluid flow direction, the two-piece manifold 14 contains a top section 15 which is ported and channeled to take in a stream of fluid through the inlet port 6 and channel it through an air feed passage 33 into a centrally located inlet port 19 in the rotor shoe 18, and subsequently to channel the fluid mixture exiting the rotor shoe radially from a circular array of inlet ports located in the port plate 20 towards each column 22 of an array of columns arranged about the center of the manifold. Each of these columns contains a bed of adsorbent material 24 (zeolite in this case) which is selective for a particular molecular species of fluid or contaminant. The packed bed is held in place by a plate 26 at the bottom and perforated plates 27 at top and bottom with a spring 28 at the top. The bottom plate has a pressure-dropping means such as a small orifice 60, the diameter of which is empirically determined, at the center of each column.

The bottom half of the manifold, which is also an upper column header plate 30, affixed to the top half of the manifold by means of a clamp band 12, acts as a cover for the channels and has the array of columns attached to its underside. The channels in the manifold are sealed by a gasket or sealing compound.

Recessed into the top of the manifold, coaxial to the exit port of the air feed channel 33, sealed and immobilized by means of a slot and key, is the port plate 20 which contains a number of holes in an equally spaced circular pattern, equal in number and aligned with the circular distribution of entry ports of channels to individual columns in the manifold. The manifold has a groove machined into its upper surface, just inside the port plate, which contains an air inlet rotary seal 32. The port plate is made from ceramic or hardened stainless steel.

The other major component of the rotary distributor valve is a gear motor-driven rotor 16 containing a ported rotor shoe 18, which slides over the rotor plate (FIG. 5, 6, 7, and 8 all depict various aspects of the rotor/shoe). The rotor shoe is made from graphite or material with equal properties, and is held in position over the rotor plate by spring-loaded or pressure compensated means. Shown is a conical or Belleville pressure compensating spring to counteract supply pressure. An arrangement of small coil springs can also be utilized for this purpose.

In the rotor shoe, there are three channels. One channel is a pressurizing channel or air feed passage 34 originating at the central fluid inlet port 19, and radiating into an arcuate slot 36 to simultaneously serve as a conduit into several of the circularly positioned ports in the port plate. As the rotor shoe turns, each new port appearing in the slot is pressurized, and the port at the other end of the slot passes out of the slot and is depressurized. Full system pressure is maintained at all intermediate ports. FIG. 6, a sectional view taken on line 6—6 of FIG. 5, shows the relationship of the arcuate air feed port or slot 36 of the rotor shoe 18 and the receiving ports 38 in the port plate, as well as the air feed

channels 31 to each of the columns 22.

In another channel, the wide exhaust port 40 collects refluxed fluid impurities desorbing and exiting from the columns, and channels them out through an exhaust outlet 8 (FIG. 5), through a "silencer" and into the atmosphere

FIG. 7 is a top plan view, partially cut away, of the rotor shoe. Several other features come into view here. The desorbed columns are vented upward through the exhaust slot 40, through a vent 42 in the rotor shoe cover plate 46, into the rotor void space, and out through the exhaust port 8 (FIG. 5).

The third channel is a cross-port channel 44 which serves as a conduit between two columns which are in transition between the pressurizing and desorbing phases of a cycle. Its purpose is to quickly equalize pressure in columns transitioning between the adsorbing and desorbing cycles. This feature enhances product concentration at high product flow rates.

The purge flow rate is the rate at which the purging fluid flows countercurrent to adsorption during regeneration of the columns. There is an optimal purge rate for maximal removal of nitrogen during regeneration. A very high purge rate causes the pressure within a bed to be greater than atmospheric, resulting in reduced desorption efficiency. The cross-porting channel in the rotor shoe allows a pressure drop in the column bed before it enters the desorption cycle. This prevents a very rapid decompression and thus excessively high initial purge flow. This effect is easily measurable by simple instrumentation; however, its basis at the molecular level is not understood

FIG. 8 is a sectional view taken on line 8—8 of FIG. 7, showing the routing of the pressurizing 34, cross-porting 44 and exhausting 40 channels in the rotor shoe 18.

FIG. 9 is a top plan view of the port plate showing the circular location of ports of channels leading to each of the array of columns, and FIG. 10 is a sectional view taken on line 10—10 of FIG. 9.

The preferred method of fractionating air to provide an oxygen-rich air supply to a patient is described below.

#### Fractionation Method

At this point it is reiterated that although air fractionation is described, the method is effective in fractionating other fluids.

With reference again to FIG. 6, compressed air enters the inlet port 6 of the manifold and is channeled through the air passage in the manifold 33 communicating with the rotor shoe 18 and then into the arcuate pressurizing slot 36 to enter sequentially into several ports 38 in the port plate as the rotor shoe 18 turns. As these ports become pressurized, the gas mixture enters, pressurizes and flows through each attached column 22 where the separation takes place.

Referring now to FIG. 5, the desired gas, oxygen in this case, is free to move through the zeolite adsorbent bed 24 (e.g. Linde 5A), while the undesired gases and vapor (nitrogen plus CO<sub>2</sub>, CO, H<sub>2</sub>O) are retained, because of their molecular size and the relatively high pressure and low temperature, in the matrix of the adsorbent bed.

The purified desired gas product (oxygen) moves out of the column through a pressure-dropping means such as a small orifice 60 or a fluid porous plug, or other means known to those skilled in the art, in the bottom of the column and into the circumscribed product tank 9. From the product tank, a relatively small portion of the oxygen is tapped off

by the distribution system conduit at the outlet port 7 (FIG. 6) for use by the patient, and another, relatively large, portion enters the columns in the opposite bank, which are under nearly atmospheric pressure, through a corresponding the small pressure dropping/flow restricting orifices in the bottom to reflux through the bed in a direction opposite to gas flow during pressurization. The amount of product used to purge versus the amount delivered by the distribution system can vary, depending on the degree of product purity desired. This backwash of product gas at pressure lower than the adsorbing cycle removes the contaminant embedded in the zeolite matrix, in this case nitrogen, and flushes it out through the top of each column into the manifold 14, the port plate 20 and through the rotor shoe 18 and exhaust outlet 8 into the atmosphere via a silencer or muffler.

Referring back to FIG. 2, the tapped oxygen-rich product gas then moves within a dispensing conduit 46 through a manually controlled valve 50 with a flow meter, through a final filter (HEPA) 52 and to the dispensing terminus.

When the motor is operated at 2 revolutions per minute, and the arcuate pressure and exhaust slots in the rotor shoe are equal in size, the cycle profile is such that each column is pressurized for approximately 12.5 seconds, equilibrated for 2.5 seconds, and desorbed for 12.5 seconds and re-equilibrated. This profile of the cycle is obtainable only when the arcuate intake and exhaust slots in the rotor shoe are equal in size, and service an equal number of columns. The profile can be altered as desired by varying the size of the respective arcuate slots. This is a desirable feature which cannot be put into effect in any of the prior mechanisms.

As the rotor rotates over the rotor plate, this cycle is sequentially and continuously established for each column. This mode of operation produces a relatively constant flow of product, improving with a greater number of columns, eliminating the need for a pressure reducing regulator.

The product outlet pressure is nearly constant and about twice as high as that provided in the prior art. The pressure difference across the adsorber column chamber walls, because of their location in the pressurized product tank, is about one half of that found in a typical prior art apparatus. This feature allows column walls of lighter construction.

Some other advantages of the present invention are outlined hereunder. Because of the large number of small adsorber columns, the column length may be short, even with a large length:diameter ratio which is essential for effective adsorption separation. The large number of columns and the rotary distributor valve result in a quasi steady-state gas flow through the compressor and other components which produces a number of advantages and system simplifications.

The invention permits optimization of the adsorption cycle by providing the possibility of employing unequal times for the adsorption and desorption phases of the cycle. Prior art two chamber systems are inherently bound to equal times.

Another notable advantage of the invention is the elimination of many components which are necessary in the prior art, thereby, reducing size, weight and the amount of maintenance, concomitantly increasing reliability and maneuverability for the ambulatory patient. These eliminated components include:

- Air receiver or surge tank
- Four or five solenoid valves (or a 4-way valve and one 2-way solenoid valve)
- Electric or electronic sequencing control for the solenoid valves



Pressure reducing regulator

Almost all connecting tubing and fittings

The elimination of almost all "plumbing" decreases size and weight, the potential for system leaks and reduces manufacturing costs.

Although the adsorbent material utilized in this embodiment is a synthetic zeolite, there are many other useful adsorbents available; therefore, this invention should not be construed as restricted to its use. It is understood by those well versed in the art that many other configurations are possible while employing the rotary distributor concept, which are within the spirit and scope of this invention.

I claim,

1. An improved process for removing a fluid component of a particular fluid from a stream of a mixture of fluids or a contaminating component from a stream of a single fluid through pressure swing adsorption having a pressurizing phase and a desorbing phase comprising the steps of:

- a. admitting a pressurized fluid mixture into a rotary valve distributor;
- b. said rotary valve distributor comprising:
  - i. a fluid manifold for receiving said fluid mixture and purging said contaminating component;
  - ii. an immobile port plate having a first and second plurality of openings in fluid communication with a first and second plurality of columns; said port plate further having an integral inlet channel for a substantially continuous flow of fluid; and
  - iii. rotatable distributor means in fluid communication with said manifold, said means comprising a rotor and rotor shoe having an arcuate distribution port which sequentially pressurizes said first plurality of columns as said rotor shoe rotates said distribution port over said first plurality of openings in said port plate; an arcuate exhaust port which sequentially and simultaneously exhausts fluid carrying the contaminating component and emanating from each of said second plurality of columns as said rotor rotates said exhaust port over said second plurality of openings in said port plate; a cross-porting channel with two ports, each situated between the two arcuate ports, for connecting two columns, which are in transition between the pressurizing and desorbing phases, allowing rapid pressure equalization; said rotor shoe further having an integral exhaust channel for a substantially continuous exhaust of fluid carrying the contaminating component; and

c. sequentially distributing said compressed fluid mixture, by means of a rotating member of said rotary valve distributor, into one or more of said first plurality of columns packed with an adsorbent material selective for the fluid or contaminant to be removed, where said fluid or contaminant is retained and desired product fluid is allowed to pass through; and

d. simultaneously refluxing, under low pressure, a portion of product fluid through one or more of said second plurality of columns, each fluid entering through an orifice at one end of each said column and exiting through the opposite end and into the atmosphere; and

e. simultaneously withdrawing purified product fluid as required.

2. An improved process for removing a fluid component of a particular fluid from a stream of a mixture of fluids or a contaminating component from a stream of a single fluid as recited in claim 1 wherein said adsorbent in step c is a zeolite.

3. An improved process for removing a fluid component of a particular fluid from a stream of a mixture of fluids or a contaminating component from a stream of a single fluid as recited in claim 1 wherein each of said pluralities of columns contains two or more columns.

4. An apparatus for fractionating a fluid mixture by pressure swing molecular adsorption having a pressurizing phase and a desorbing phase which comprises:

- a. a first and second plurality of adsorber columns, each containing molecular adsorption medium for fractionation of a mixture of fluids passed thereto by separation of said mixture into a purified portion which passes through said first and second pluralities of columns and exits therefrom during said pressurizing phase and a retained portion which is retained by said medium during said desorbing phase;
- b. chamber means containing said columns, means for receiving and storing said purified portion and a fluid exit port for removal of a first part of said purified portion from said chamber;
- c. a distributor valve assembly comprising
  - i. a fluid manifold for receiving said fluid mixture and purging said retained portion;
  - ii. an immobile port plate having a first and second plurality of openings in fluid communication with said columns; said port plate further having an integral inlet channel for a substantially continuous flow of fluid; and
  - iii. rotatable distributor means in fluid communication with said manifold, said means comprising a rotor and rotor shoe having an arcuate distribution port which sequentially pressurizes said first plurality of columns as said rotor shoe rotates said distribution port over said, first plurality of openings in said port plate; an arcuate exhaust port which sequentially and simultaneously exhausts fluid carrying the retained portion and emanating from each of said second plurality of columns as said rotor rotates said exhaust port over said second plurality of openings in said port plate; a cross-porting channel with two ports, each situated between the two arcuate ports, for connecting two columns, which are in transition between the pressurizing and desorbing phases, allowing rapid pressure equalization; said rotor shoe further having an integral exhaust channel for a substantially continuous exhaust of fluid carrying the retained portion; and

means for rotating said rotatable distributor means.

5. An apparatus for fractionating a fluid mixture as described in claim 4, wherein said each of said pluralities of adsorber columns contains two or more columns.

6. An apparatus for fractionating a fluid mixture as described in claim 5, wherein said columns have a high length to diameter ratio.

7. An apparatus for fractionating a fluid mixture as described in claim 6, wherein said columns contain means to reduce reflux pressure.

8. An apparatus for fractionating a fluid mixture as described in claim [4] 7, wherein said means to reduce reflux pressure comprises a small orifice at the end of each column opposite said connection to said distributor valve manifold.

9. An apparatus for fractionating a fluid mixture as described in claim [4] 8, wherein said columns are sealed by a mechanical sealing means at the end opposite to the orifice.

10. An apparatus for fractionating a fluid mixture as described in claim 9, wherein said columns contain spring means to keep the medium compacted.

11. An apparatus for fractionating a fluid mixture as described in claim 4, wherein said fluid mixture is nitrogen and trace amounts of other fluids.

12. An apparatus for fractionating a fluid mixture as described in claim 4, wherein said chamber means is closed at one end and sealed by said distributor valve assembly at the other end.

13. An apparatus for fractionating a fluid mixture as described in claim 4, wherein said chamber has said fluid exit port for removal of said purified portion located in said fluid manifold.

14. In combination in a fluid fractionator,

first means for providing a plurality, more than two (2), of columns each including second means for passing a particular component of the fluid and for adsorbing other components of the fluid,

third means for providing the fluid under pressure to the columns in the plurality,

distributor means for sequentially selecting first successive ones of the columns in the plurality on a cyclic basis to receive the pressurized fluid for the passage of the particular component of the fluid through such columns and for the adsorption of the other components of the fluid and for selecting second successive ones of the columns in the plurality on the cyclic basis to release the adsorbed fluid components from the columns after the passage of the particular component of the fluid through the columns,

there being third successive ones of the columns in the plurality other than the first and second successive ones of the columns in the plurality, and

fourth means for equalizing the pressures in the third successive ones of the columns in the plurality on the cyclic basis.

15. In a combination as set forth in claim 14, the columns in the plurality being disposed in a rotary arrangement,

the distributor means being operative on the cyclic basis to select the first, second and third successive ones of the columns on the cyclic basis.

16. In a combination as set forth in claim 14,

fifth means for storing the particular fluid component passing through the first successive ones of the columns in the plurality on the cyclic basis, and

sixth means for exhausting the fluids from the second successive ones of the columns in the plurality on the cyclic basis.

17. In a combination as set forth in claim 14,

the distributor means being rotary and including first port means for communicating the first successive ones of the columns in the plurality with the third means on the cyclic basis and including second port means for communicating the second successive ones of the columns in the plurality with the atmosphere on the cyclic basis and including third port means for communicating the third successive ones of the columns in the plurality with each other on the cyclic basis.

18. In a combination as set forth in claim 14, the fluid being air and the particular fluid component including oxygen and the other components including nitrogen,

fifth means for storing the oxygen passing through the first successive ones of the columns in the plurality on the cyclic basis,

sixth means for exhausting to the atmosphere the

adsorbed fluid components including nitrogen from the second successive ones of the columns in the plurality on the cyclic basis, and

seventh means for providing an outlet for the oxygen stored in the fifth means.

19. In combination in a fluid fractionator,

first means for providing a plurality, more than two (2), of columns each including second means for passing a particular component of the fluid and for adsorbing other components of the fluid,

third means for providing the fluid under pressure to the columns in the plurality,

distributor means for selecting first successive ones of the columns on a cyclic basis to receive the pressurized fluid for the passage of the particular component of the fluid through such columns on the cyclic basis and for the adsorption of the other components of the fluid on the cyclic basis and for selecting second successive ones of the columns on the cyclic basis to release the adsorbed components from such columns on the cyclic basis after the passage of the particular component of the fluid through such columns,

the distributor means including a member movable on the cyclic basis and constructed to select sequentially on the cyclic basis the first and second successive ones of the columns in the plurality in accordance with such movement,

the movable member being the only member movable in the combination.

20. In a combination as set forth in claim 19,

the movable member including a first channel in communication with the third means for providing the pressurized fluid and a second channel for releasing the pressurized fluid, the distributor means including ports for communicating with the first and second channels and the columns in the plurality to establish the first successive ones of the columns in the plurality in communication with the first channel on the cyclic basis and the second successive ones of the columns in the plurality in communication with the second channel on the cyclic basis.

21. In a combination as set forth in claim 20,

fourth means for providing a communication of the second channel with the atmosphere, and

fifth means for collecting the particular fluid passing through the first successive ones of the columns in the plurality.

22. In a combination as set forth in claim 21,

the fluid constituting air and the particular component constituting oxygen, and

means for providing for a controlled passage of oxygen from the collecting means.

23. In a combination as set forth in claim 22,

there being third successive ones of the columns in the plurality other than the first and second successive ones of the columns in the plurality,

the movable member in the distributor means including a third channel for equalizing the pressure in the third successive ones of the columns in the plurality on the cyclic basis.

24. In combination in a fluid fractionator,

means for defining a plurality, more than two (2), of columns,

means in each of the columns in the plurality for passing

a particular component of the fluid and for adsorbing other components of the fluid,  
 means for providing the fluid under pressure to the columns in the plurality,  
 means for selecting the columns in the plurality on a sequential and cyclic basis to introduce the fluid under pressure to first successive ones of the columns in the plurality for the passage of the particular fluid component through the first successive ones of the columns in the plurality on the sequential and cyclic basis and to adsorb the other fluid components in the first successive ones of the columns in the plurality on the sequential and cyclic basis and to desorb the other fluid components in second successive ones of the columns in the plurality on the sequential and cyclic basis,  
 means for collecting the particular fluid component passing through the first successive ones of the columns in the plurality on the sequential and cyclic basis,  
 the number of the first successive ones of the columns in the plurality on the sequential and cyclic basis being greater than one to produce a substantially constant pressure of the particular fluid component in the collecting means and the number of the second successive ones of the columns in the plurality on the sequential and cyclic basis being greater than one.

25. In a combination as set forth in claim 24,  
 each of the columns in the plurality having a reduced length than would exist in such columns if the number of the first ones of the columns in the plurality on the sequential and cyclic basis was only one.

26. In a combination as set forth in claim 24,  
 there being third columns in the plurality in transition between adsorbing the other fluid components and desorbing the other fluid components, and  
 means for equalizing the pressure in the third columns in the plurality.

27. In a combination as set forth in claim 24,  
 the selecting means including a movable member having a first channel communicating with the fluid pressure means and the first successive ones of the columns in the plurality on the sequential and cyclic basis in accordance with the movement of the member and having a second channel communicating with the second successive ones of the columns in the plurality on the sequential and cyclic basis in accordance with the movement of the member,  
 the movable member being the only movable member in the combination.

28. In a combination as set forth in claim 27,  
 the fluid constituting air, the particular fluid component including oxygen and the adsorbed fluid components including nitrogen, and  
 means operatively coupled to the collecting means for providing a controlled flow of oxygen.

29. In combination in a fluid fractionator,  
 a product tank,  
 a plurality, more than two (2), of columns disposed in the product tank for introducing a particular component of the fluid into the product tank,  
 means disposed in each of the columns in the plurality for passing the particular fluid component into the product tank and for adsorbing other components in the fluid,  
 a manifold defining one boundary of the product tank,  
 means for providing the fluid under pressure to the

manifold, and  
 valve means operatively coupled to the manifold and defining a unitary structure with the manifold and the product tank for providing in a sequence on a cyclic basis for the introduction of the fluid under pressure into first particular ones of the columns in the plurality for the passage of the particular fluid component through the first particular ones of the columns in the plurality into the product tank and for providing in the sequence on the cyclic basis for the exhausting of the other fluid components from second particular ones of the columns in the plurality.

30. In a combination as set forth in claim 29,  
 the valve means including a movable member having a first channel for communicating in the sequence with the first particular ones of the columns in the plurality on the cyclic basis and having a second channel for communicating in the sequence with the second particular ones of the columns in the plurality on the cyclic basis.

31. In a combination as set forth in the claim 30,  
 there being third particular ones of the columns in the plurality in the sequence on the cyclic basis other than the first and second particular ones of the columns in the plurality, and  
 the valve means including a third channel for communicating in the sequence with the third particular ones of the columns in the plurality on the cyclic basis to neutralize the pressure of the fluid in the third particular ones of the columns in the plurality.

32. In a combination as set forth in claim 30,  
 the movable member being a rotary member,  
 the rotary member being the only movable member in the combination.

33. In combination in a fluid fractionator,  
 means for providing a fluid under pressure,  
 a plurality, more than two (2), of columns each including means for passing a particular component of the fluid through the columns and for adsorbing other components of the fluid in the columns,  
 a product tank disposed in enveloping relationship to the columns in the plurality and constructed to hold the columns in the plurality,  
 means disposed in the product tank and operatively coupled to the columns in the plurality for providing for the passage of the particular fluid component through the columns in the plurality into the product tank,  
 valve means movable on a cyclic basis and including a first channel for receiving the fluid under pressure and including a second channel for communicating with the atmosphere, and  
 manifold means operatively coupled to the valve means for introducing the fluid under pressure to the first channel for passage sequentially to first successive ones of the columns in the plurality on the cyclic basis and for passing the adsorbed components of the fluid sequentially from second successive ones of the columns in the plurality to the second channel on the cyclic basis.

34. In a combination as set forth in claim 33,  
 the valve means being disposed on the manifold means, and  
 means disposed on the valve means for covering the valve means.

35. In a combination as set forth in claim 34,

13

*the valve means including a third channel,  
there being third successive ones of the columns in the  
plurality other than the first and second successive ones  
of the columns in the plurality, the third successive ones  
of the columns in the plurality being disposed between  
the first successive ones of the columns in the plurality and  
the second successive ones of the columns in the  
plurality on the cyclic basis,  
the third channel in the valve means communicating on  
the cyclic basis with the third successive ones of the  
columns in the plurality to equalize the pressures in the  
third successive ones of the columns in the plurality on  
the cyclic basis.*

36. *In a combination as set forth in claim 35,  
the valve means being the only movable means in the  
combination.*

14

37. *In a combination as set forth in claim 35,  
the fluid constituting air and the particular component  
constituting oxygen, and  
means for providing a controlled passage of oxygen from  
the product tank.*

38. *In a combination as set forth in claim 33,  
means disposed at a first end of the columns in the  
plurality for providing for a controlled passage of the  
particular fluid component from the first successive  
ones of the columns in the plurality into the product  
tank of the cyclic basis,  
the manifold means partially defining the product tank at  
a second end of the columns in the plurality opposite  
the first end.*

\* \* \* \* \*