

[54] **SPRING-LOADED HINGE ASSEMBLY FOR VEHICLE ACCESSORIES**

[75] Inventors: **Mark Lobanoff, Bloomfield Hills; James A. Gavagan, Centerline, both of Mich.**

[73] Assignee: **Takata Inc., Auburn Hills, Mich.**

[21] Appl. No.: **458,186**

[22] Filed: **Dec. 28, 1989**

**Related U.S. Patent Documents**

Reissue of:

[64] Patent No.: **4,715,644**  
 Issued: **Dec. 29, 1987**  
 Appl. No.: **910,129**  
 Filed: **Sep. 22, 1986**

[51] Int. Cl.<sup>5</sup> ..... **B60J 3/00**

[52] U.S. Cl. .... **296/97.5; 16/267; 16/341**

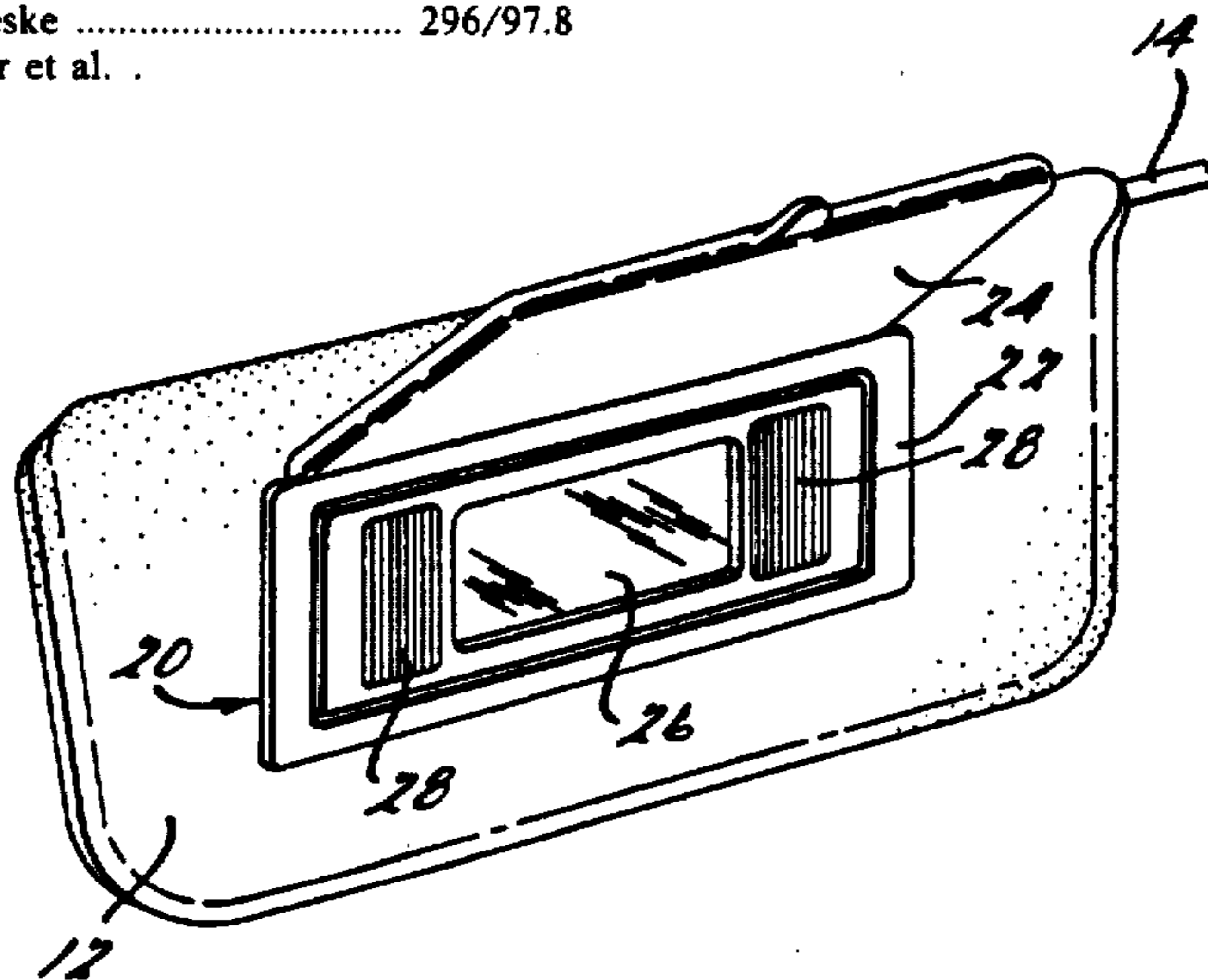
[58] Field of Search ..... **296/97.1, 97.5, 97.12, 296/97.8, 97.9, 97.11, 97.13; 362/137; 16/267, 277, 225, 341, 293, 296, 297, 343; 297/191, 410**

[56] **References Cited**

**U.S. PATENT DOCUMENTS**

325,006	8/1885	Neeley	297/185
876,039	1/1908	Burrell	.
1,026,706	5/1912	Sears	297/185
1,530,162	3/1925	Foreman	.
1,573,272	2/1926	Phillips	296/97 R
1,576,793	3/1926	Sadler	.
1,893,458	1/1933	Tatum	297/191
1,894,233	1/1933	Ellis	296/97.1
1,905,868	4/1933	Hein	350/283
2,118,198	5/1938	Hathaway	296/97.8
2,123,319	7/1938	Thompson	296/97 H
2,148,557	2/1939	Hook	.
2,231,641	2/1941	Schwab	296/97.8
2,268,189	12/1941	Colbert	.
2,466,454	4/1949	Logan	.
2,506,689	5/1950	Simpson et al.	.
2,547,101	4/1951	Uttz	296/97 G
2,640,909	6/1953	Montgomery	.
2,818,298	12/1957	Goeske	296/97.8
2,844,200	7/1958	Herr et al.	.

3,159,421	12/1964	Samuelson	296/97.8
3,193,323	7/1965	Herr et al.	296/97 K
3,211,903	10/1965	McElreath	240/4.2
3,305,679	2/1967	Barcita-Peruchena	240/6.45
3,375,364	3/1968	Marcus	296/97 H
3,429,610	2/1969	Bornefeld	296/97 K
3,449,011	6/1969	Edwards et al.	297/391
3,542,416	11/1970	Nelson	296/97 H
3,543,416	11/1970	Nelson et al.	296/97.1
3,550,187	12/1970	Swartz	16/180
3,576,409	4/1971	Fiddler	200/61.62
3,605,175	9/1971	Wilson	16/184
3,610,680	10/1971	Brady	296/97 H
3,641,334	2/1972	Kipping	240/6.45
3,751,106	8/1973	Mahler et al.	296/97 H
3,794,828	2/1974	Arpino	240/4.2
3,795,422	3/1974	Robinson et al.	297/191
3,842,463	10/1974	Wehner	16/142
3,853,370	12/1974	Barnhart	296/97 G
3,871,703	3/1975	Accatino	296/97 H
3,926,470	12/1975	Marcus	296/97.1
4,000,404	12/1976	Marcus	296/97.1
4,070,054	1/1978	Cziptschirsch	296/97.11
4,075,468	2/1978	Marcus	296/97.1
4,173,035	12/1979	Cziptschirsch	296/97 R
4,174,864	11/1979	Viertel et al.	296/97.1
4,178,035	12/1979	Cziptschirsch	296/97.1
4,203,149	5/1980	Viertel et al.	296/97.1
4,205,873	6/1980	Viertel et al.	296/97 G
4,213,169	7/1980	Kempkers	362/74
4,272,118	6/1981	Viertel et al.	296/97 R
4,280,730	7/1981	Turner	296/97.8
4,352,519	10/1982	Aro	296/97.8
4,363,511	12/1982	Viertel et al.	296/97 K
4,363,512	12/1982	Marcus	296/97.11
4,364,598	12/1982	Viertel	296/97 K
4,378,129	3/1983	Kaiser et al.	296/97.11
4,417,761	11/1983	Cziptschirsch et al.	296/97.11
4,421,355	12/1983	Marcus	296/97.1
4,428,612	1/1984	Viertel et al.	296/97 K
4,451,076	5/1984	Viertel et al.	296/97 K
4,469,367	9/1984	Kuttler et al.	296/97.11
4,479,172	10/1984	Connor	362/135
4,512,605	4/1985	Aschermann et al.	296/97 G
4,541,663	9/1985	Schwanitz et al.	296/97.1
4,564,234	1/1986	Kaiser et al.	296/97 H
4,582,356	4/1986	Kaiser et al.	296/97 K
4,591,956	5/1986	Majchrzak	362/144



FOREIGN PATENT DOCUMENTS

53663	1/1981	European Pat. Off. ....	296/97.1
61622	3/1982	European Pat. Off. ....	296/97.1
1032112	6/1958	Fed. Rep. of Germany ....	296/97.1
2027386	12/1971	Fed. Rep. of Germany ....	296/97.1
0053663	1/1981	Fed. Rep. of Germany .	
3118267	6/1982	Fed. Rep. of Germany ....	296/97.1
1143365	10/1957	France .....	296/97.1
443964	2/1968	Switzerland .....	296/97.1
817159	7/1959	United Kingdom .....	296/97.1
854938	11/1960	United Kingdom .....	296/97.1
999331	7/1965	United Kingdom .....	296/97.1
1043087	9/1966	United Kingdom .....	296/97.1
1214327	12/1970	United Kingdom .....	296/97.1

Primary Examiner—Robert R. Song  
Attorney, Agent, or Firm—Harness, Dickey & Pierce

[57] ABSTRACT

A hinge assembly is disclosed which is particularly well suited for vehicle accessory applications, such as for pivotally interconnecting vanity doors with vanity

housing structures for example. The hinge assembly, which is also applicable for other applications, includes a pivot pivotally interconnecting first and second members for relative rotational movement about a longitudinal axis, with a cam on the first member protruding in a generally lateral direction to engage a resilient biasing springs on the second member. The resilient biasing springs, which is preferably a leaf spring, is slidably engaged and resiliently deflected by the cam on the first member and exerts a resilient biasing force on the cam in a generally lateral direction, generally toward the pivot axis. The cam preferably includes one or more dwell portions such that the spring or other resilient biasing springs tends to resiliently and releasably maintain the first and second members in one or more predetermined relative rotational orientations when engaged by the dwell portions on the cam.

24 Claims, 4 Drawing Sheets

FIG. 1.

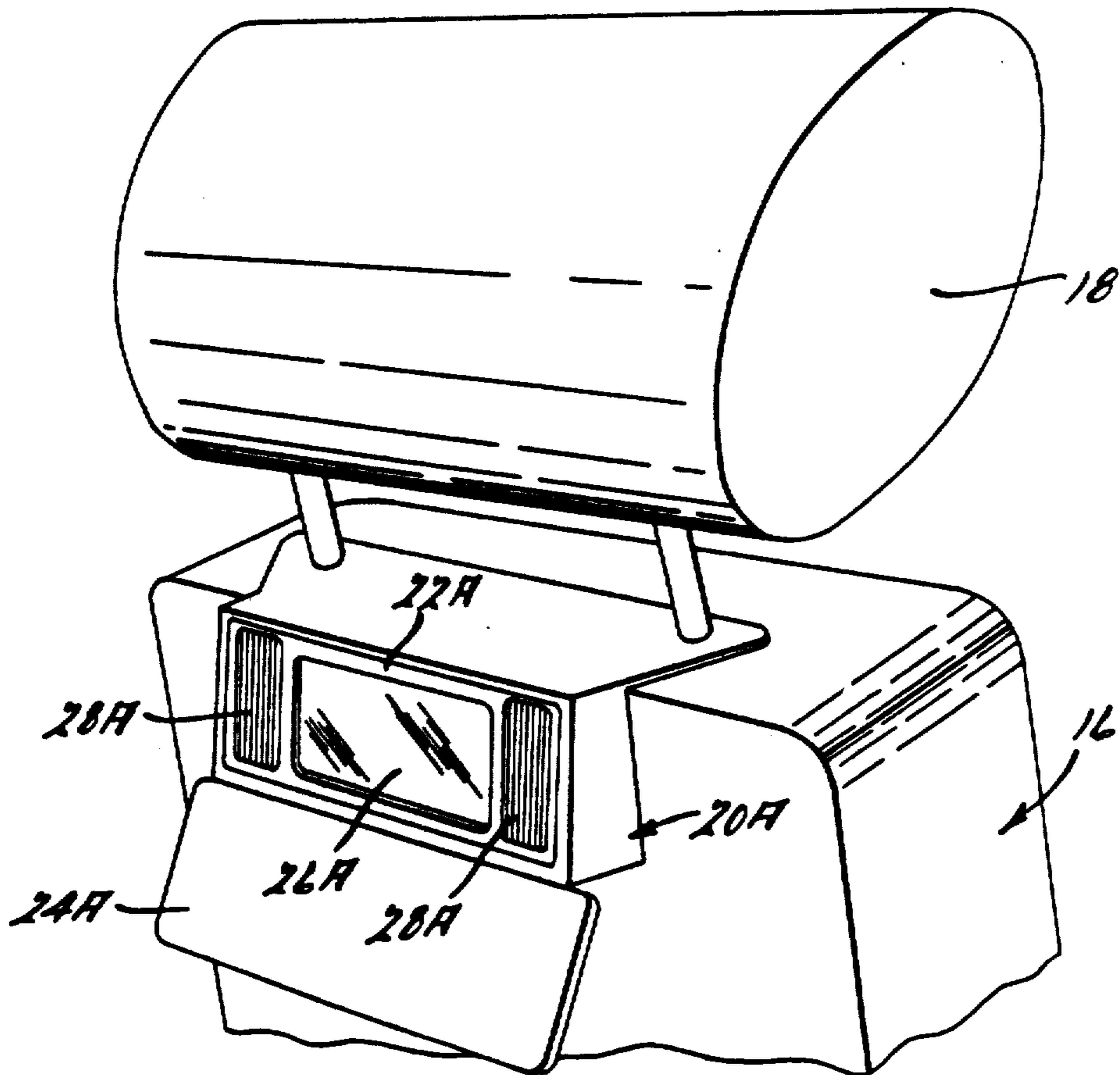
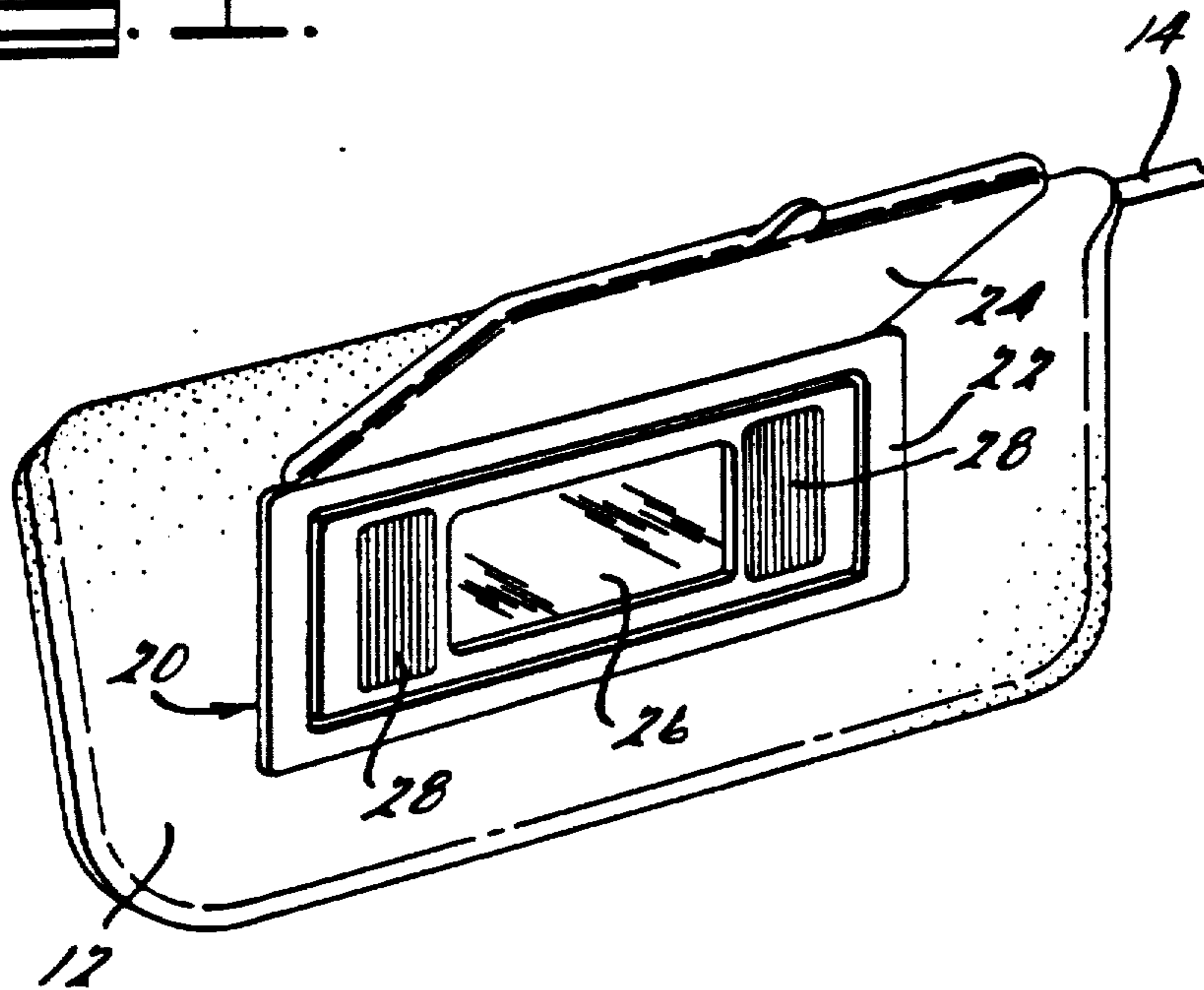
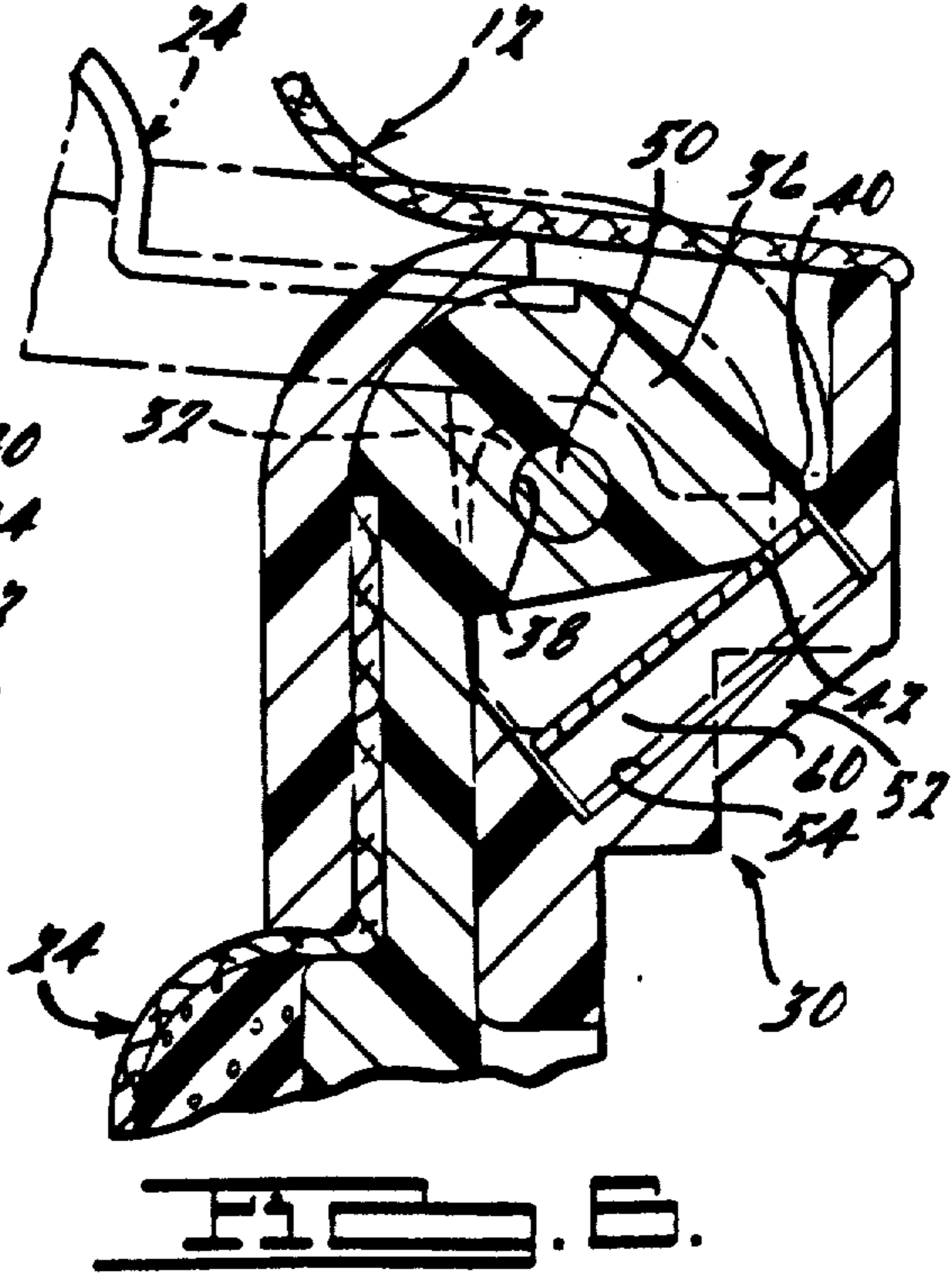
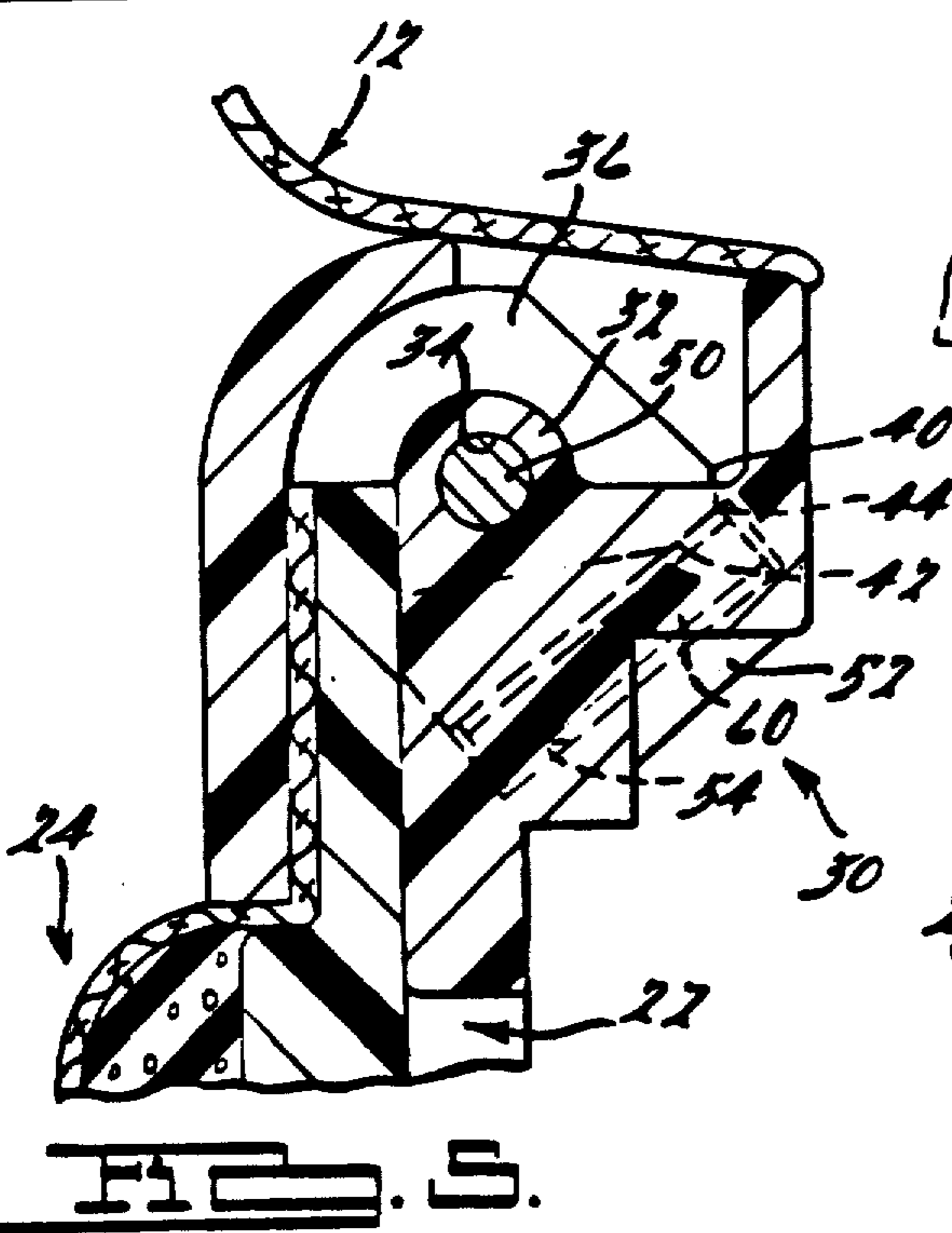
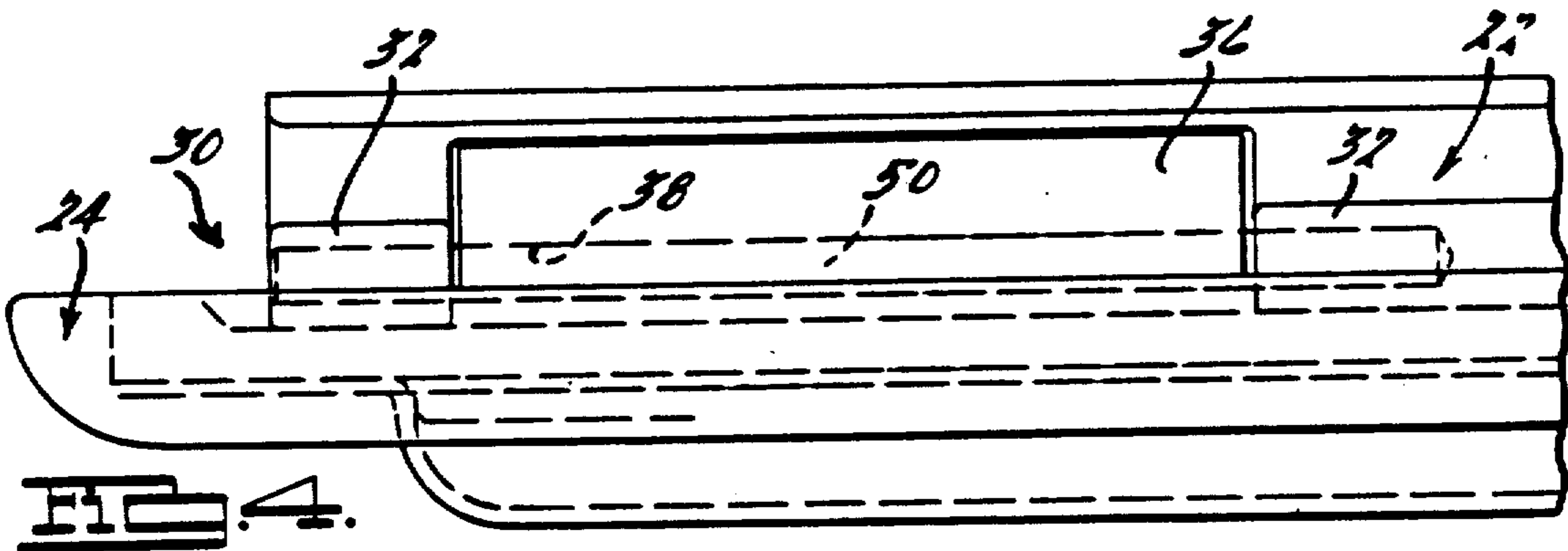
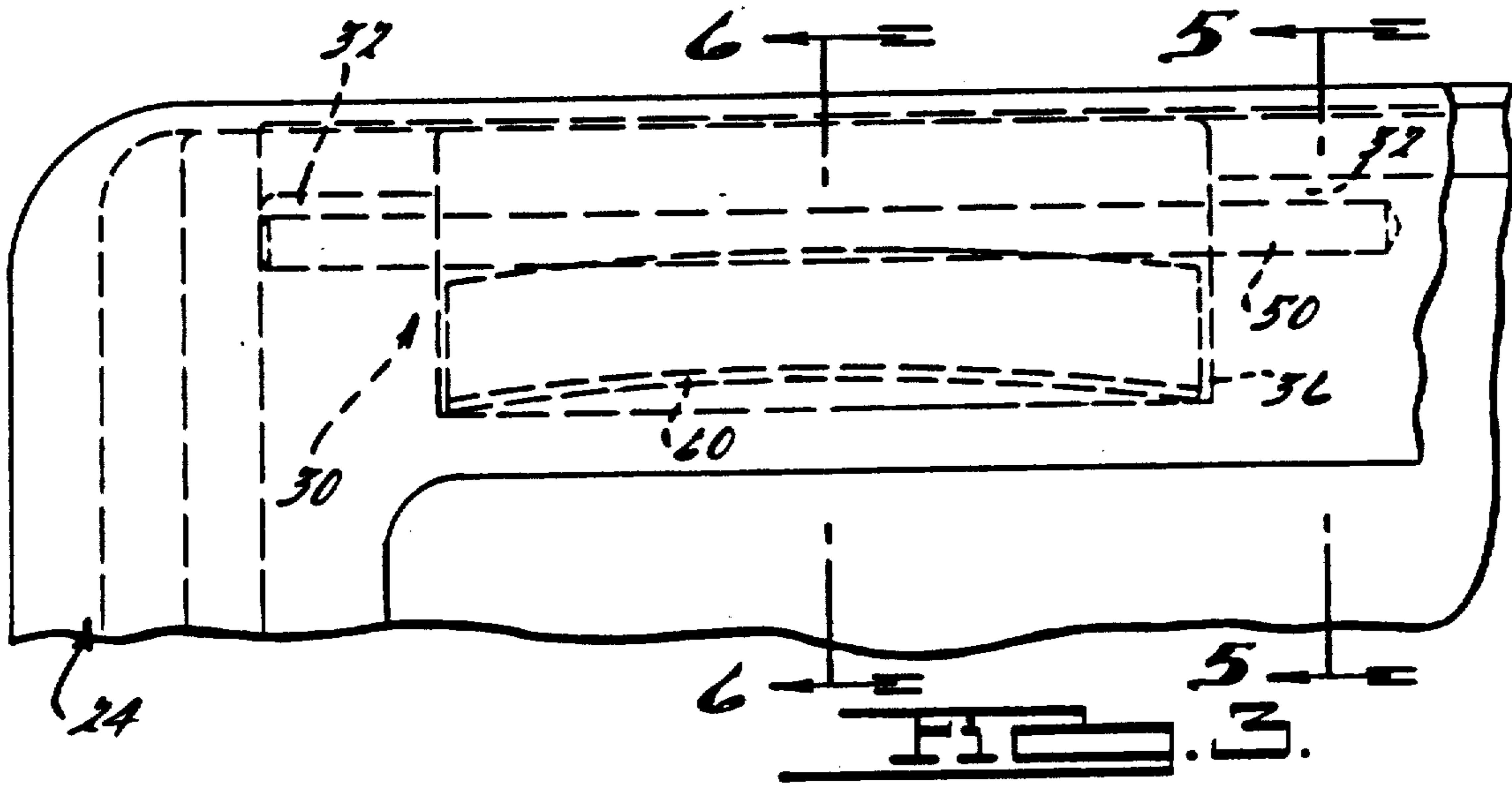


FIG. 2.



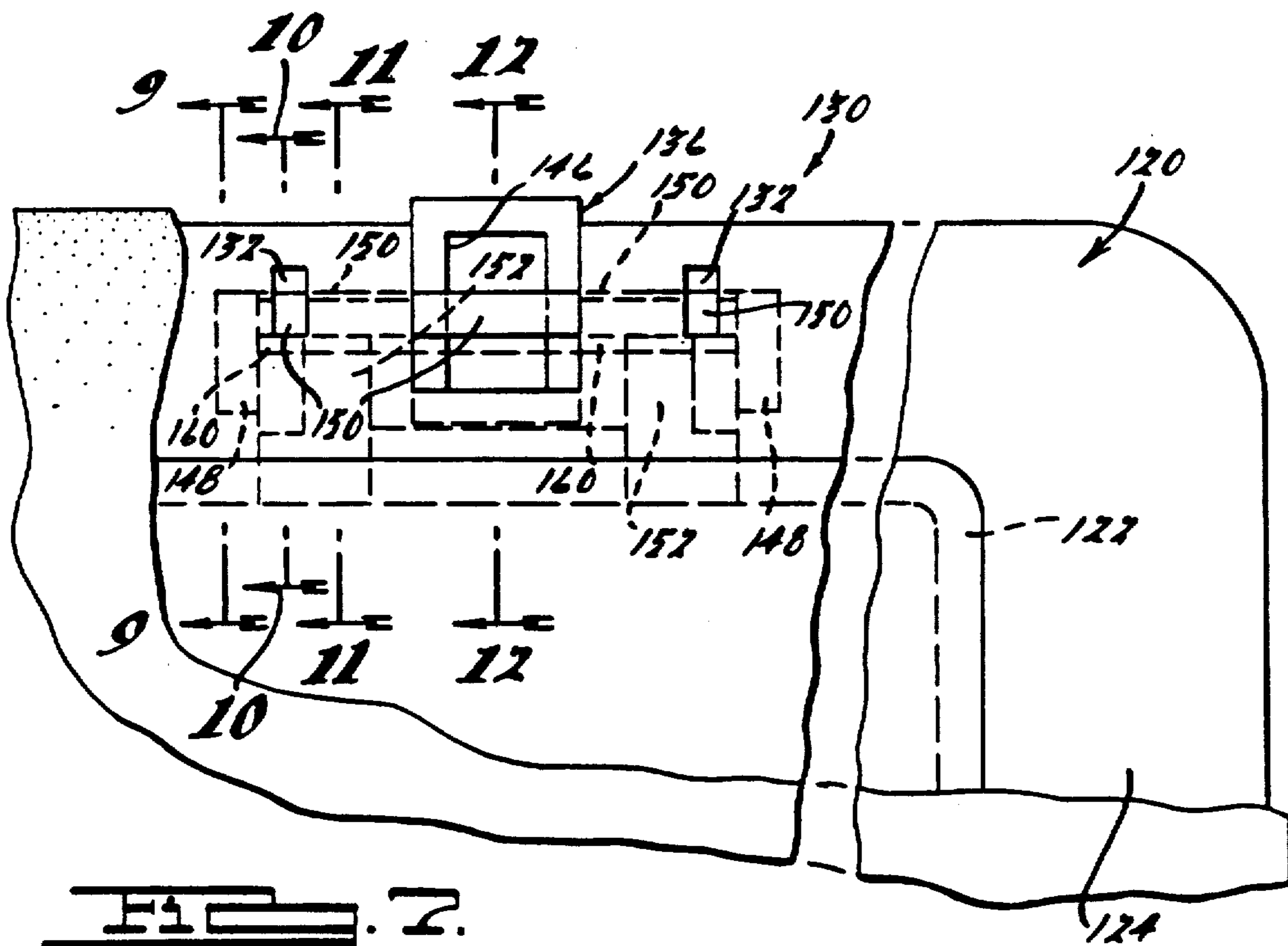
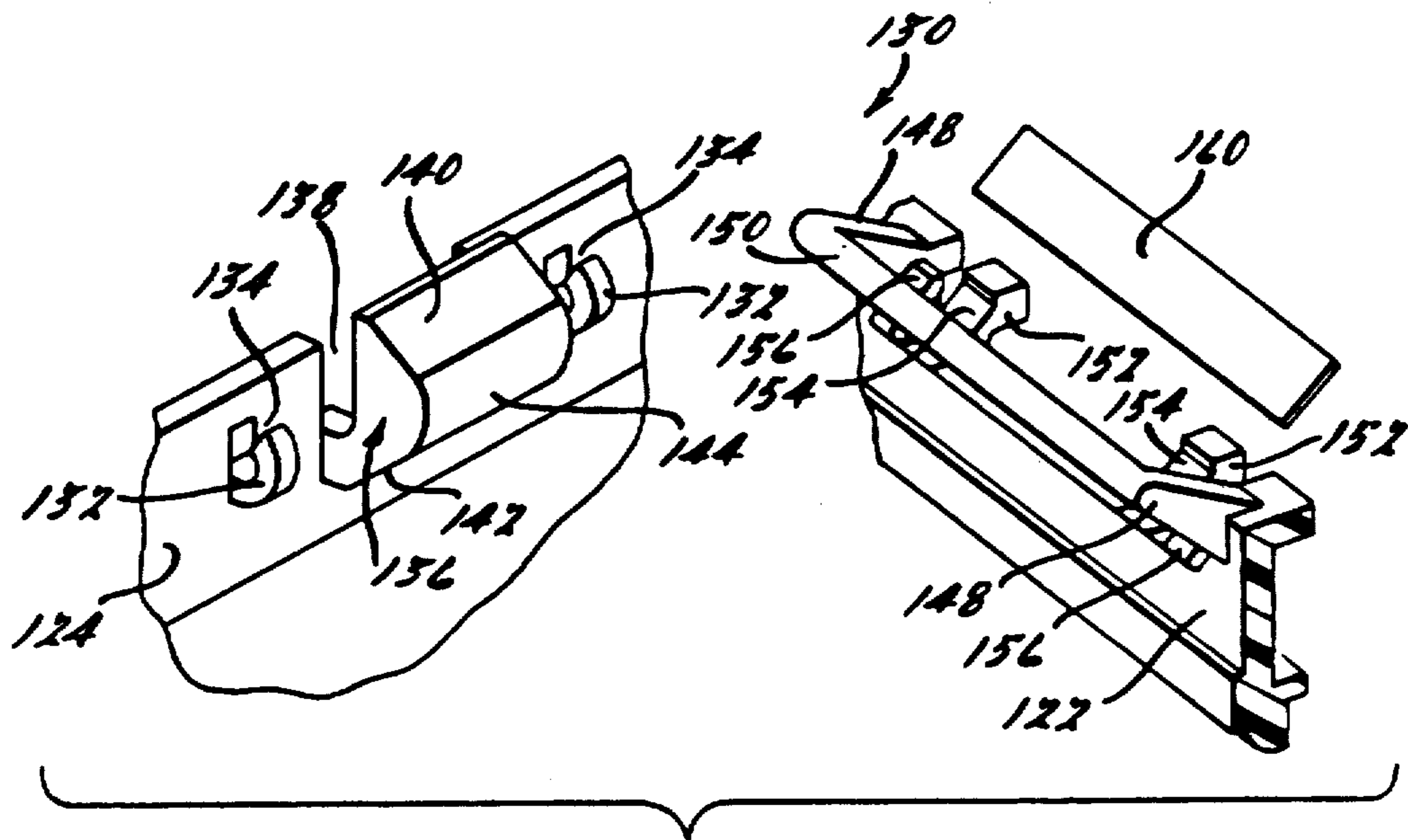


FIG. 9.

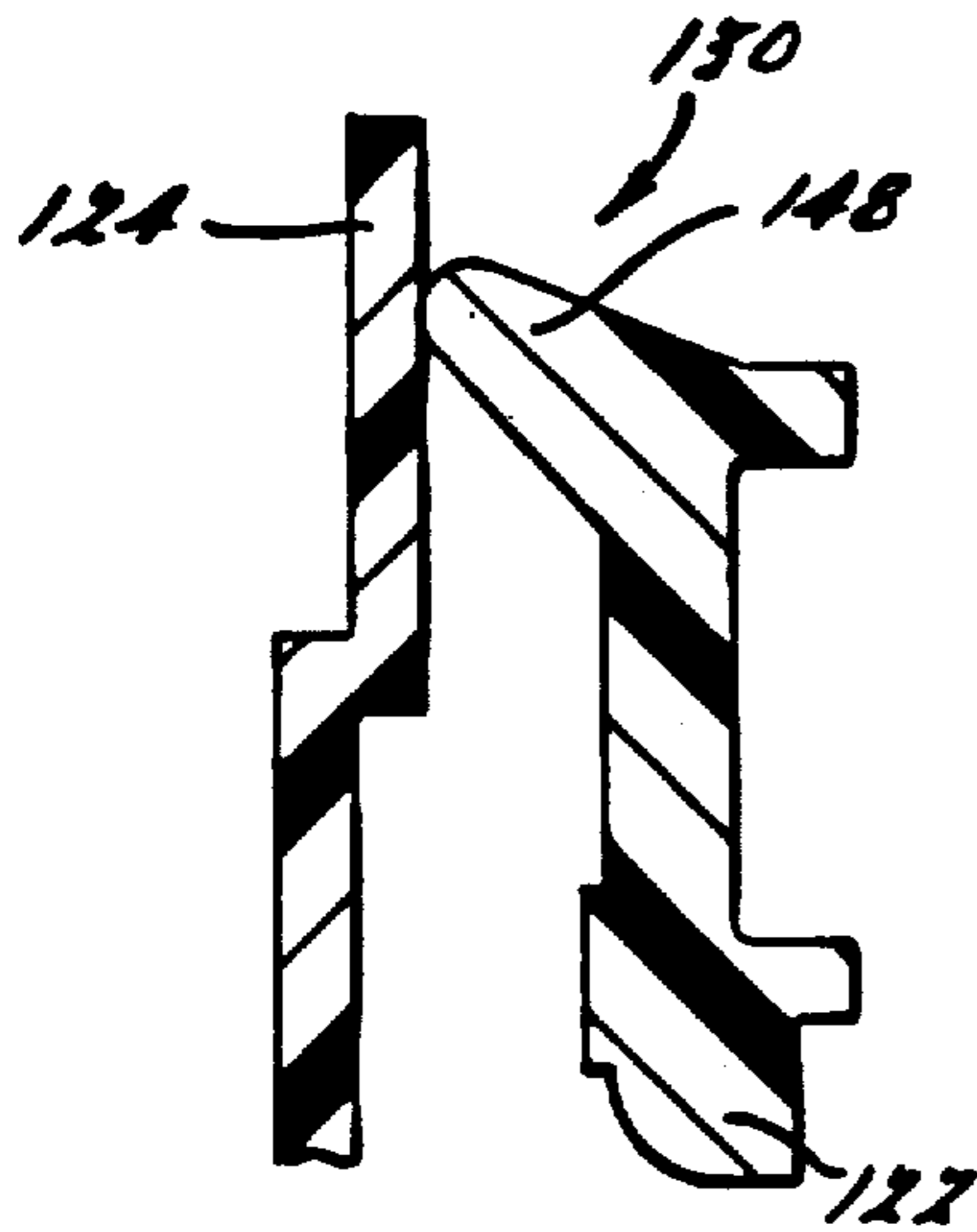


FIG. 10.

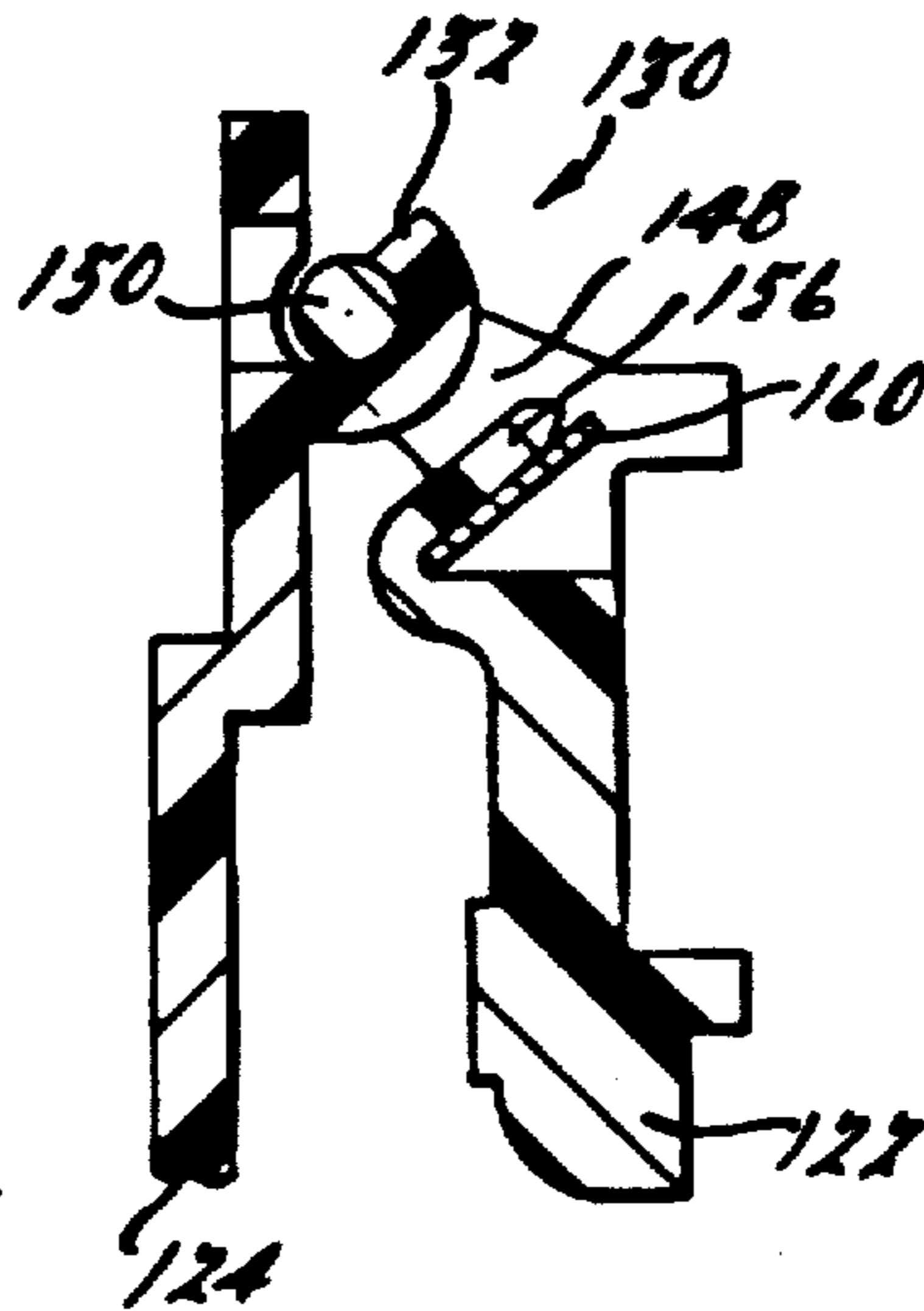


FIG. 11.

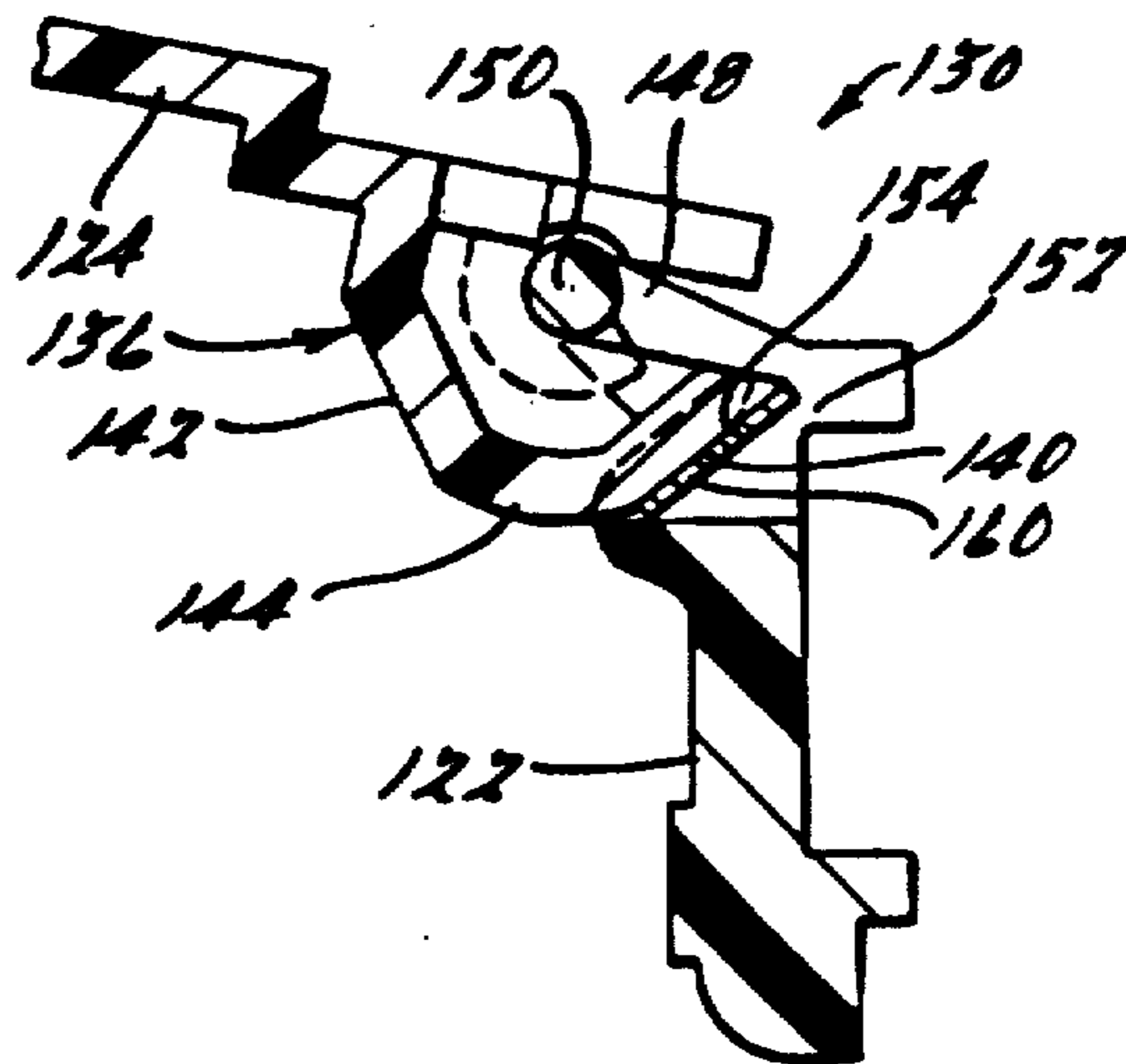
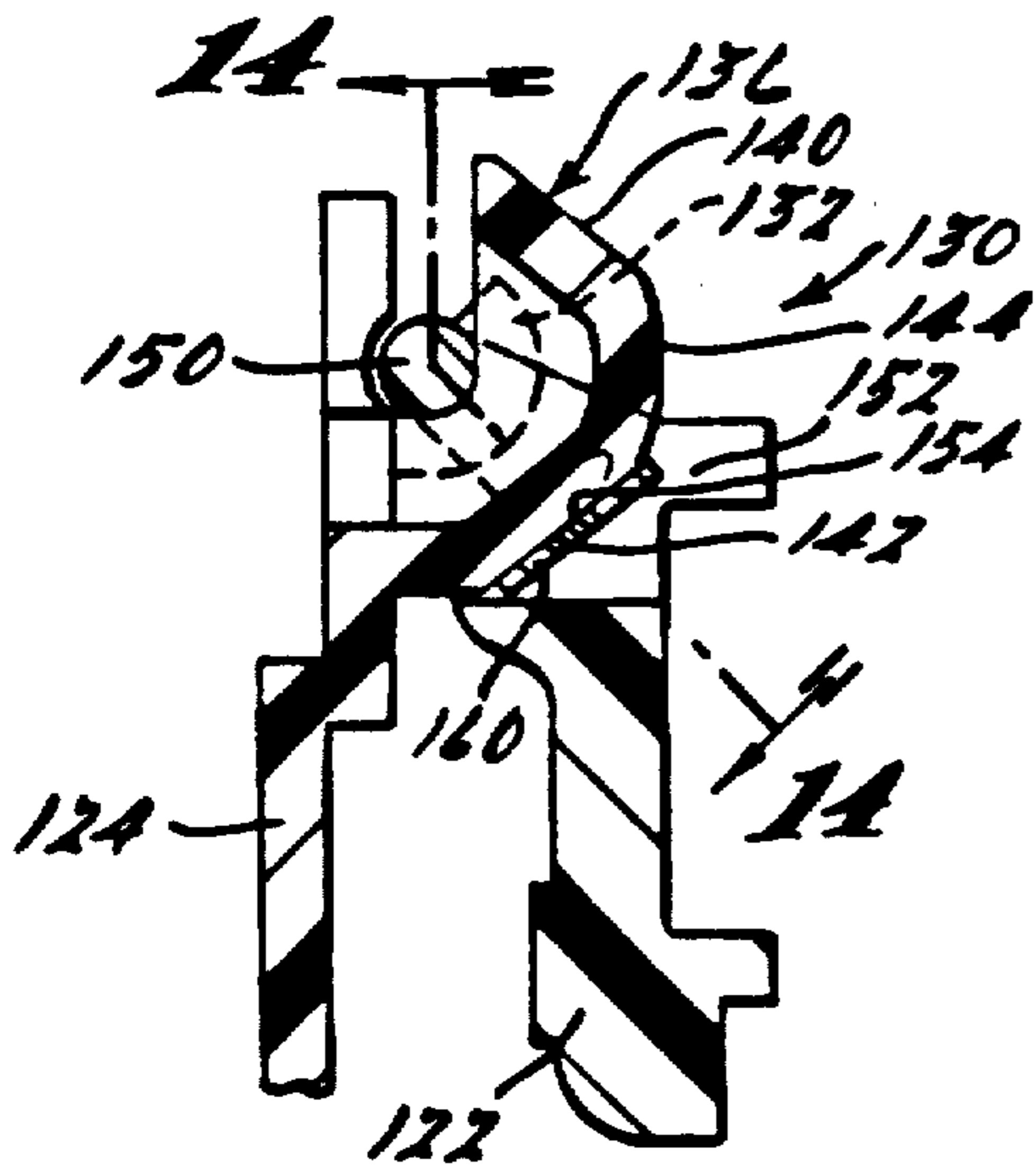
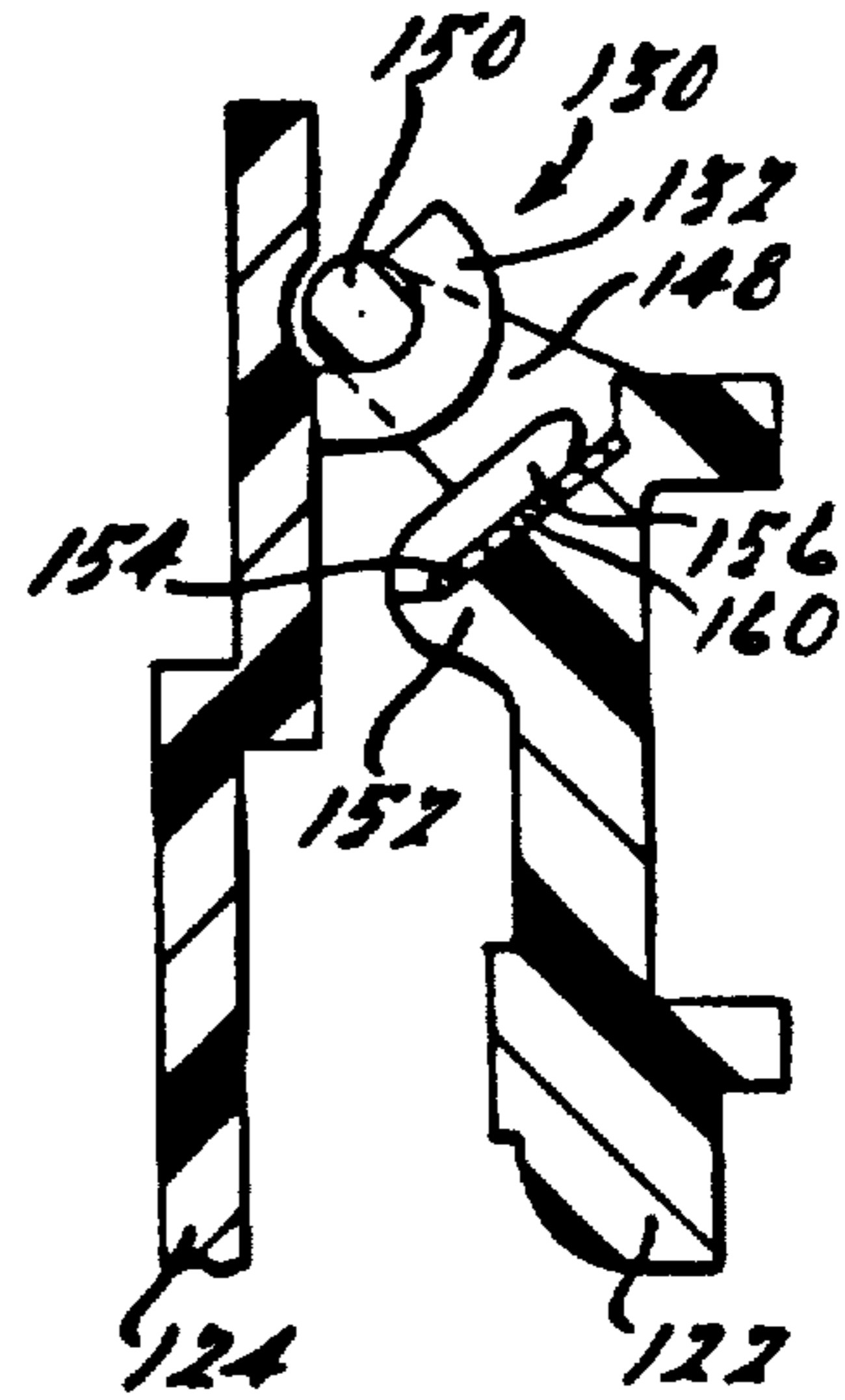


FIG. 12.

FIG. 13.

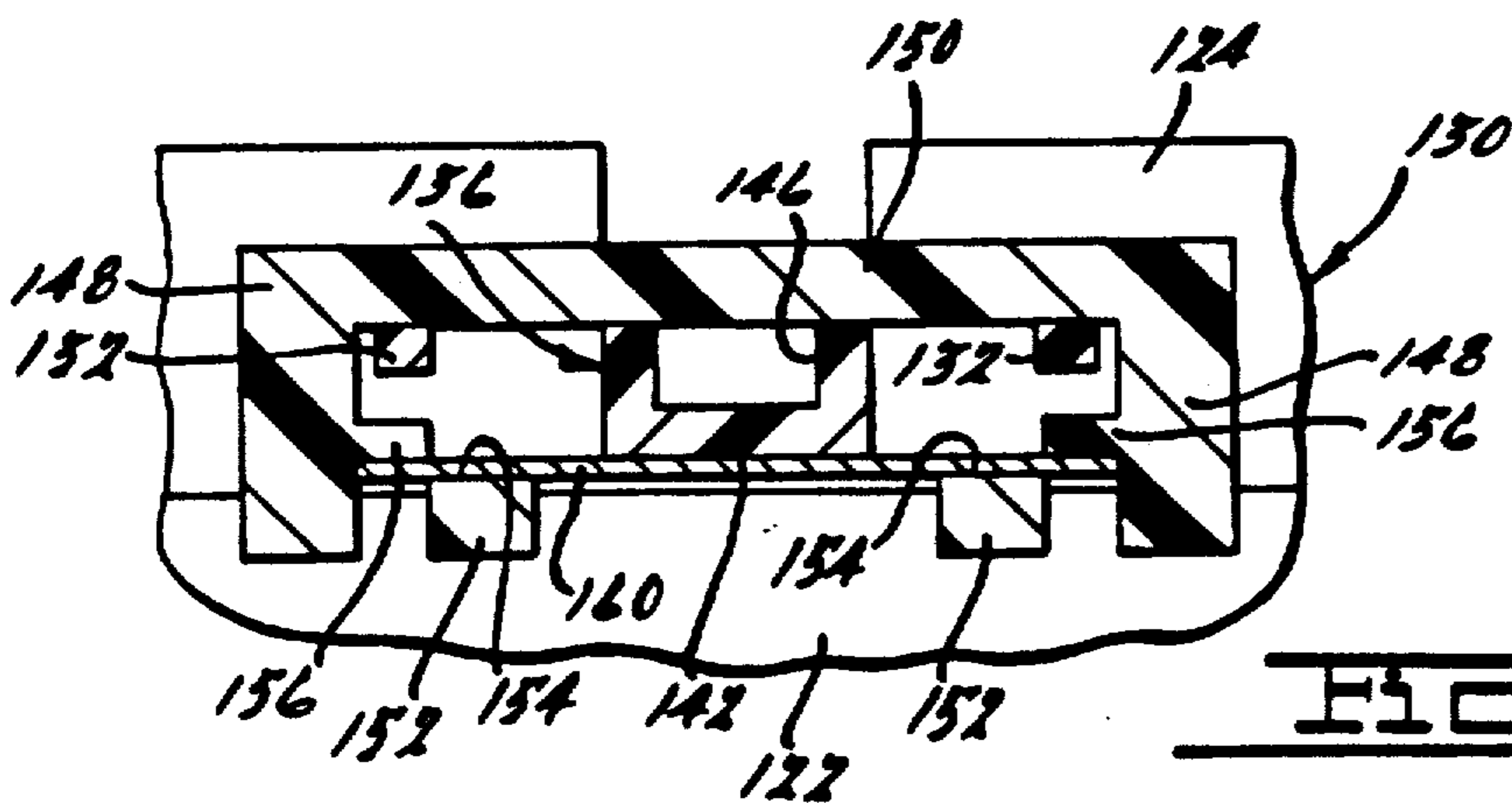


FIG. 14.

## SPRING-LOADED HINGE ASSEMBLY FOR VEHICLE ACCESSORIES

Matter enclosed in heavy brackets [ ] appears in the original patent but forms no part of this reissue specification; matter printed in italics indicates the additions made by reissue.

### BACKGROUND AND SUMMARY OF THE INVENTION

The present invention relates generally to hinge assemblies for hinged or pivotally interconnected members, and more particularly to such hinge assemblies especially adapted for pivotally interconnecting a vehicle accessory door with a vehicle accessory housing structure or other portion of the interior of a vehicle. Such vehicle accessory doors include vanity doors, storage compartment doors or other accessory covers. Hinge assemblies according to the present invention can also be employed for various non-vehicular uses, as will be readily appreciated by one skilled in the art from the following discussion.

The typical vehicle includes a wide variety of hinged or pivotally mounted vehicle accessories or accessory covers in the interior, luggage storage areas, engine compartment, or other areas. In the past, however, many hinge assemblies for such vehicular applications, as well as those for various non-vehicular applications, either have not been sufficiently durable or have been relatively expensive to produce and install. Furthermore, many of such prior hinge assemblies have been found to be inordinately bulky, unsightly, or ill-fitting, all of which detract from the user's perception of quality with regard to the vehicle or other device in which such hinge assemblies are included.

In addition to the above disadvantages, many prior hinge assemblies have not provided the user with relatively rotated or pivoted positions in which the hinged members can be held and maintained, especially after extended use and wear of the hinge components. One example of the prior art wherein such a feature has been provided, however, is an over-center, spring-and-lever arrangement, such as that shown in U.S. Pat. Nos. 4,491,899; 4,227,242; and 4,000,404. Another example is an arrangement having a coil spring with its opposite ends interconnected with opposite hinged members in order to bias the two hinge members toward one another in a mutual sliding arrangement. This hinge arrangement does not have a pivot pin or other member pivotally interconnecting the hinged members and thus the spring functions both as a resilient biasing member for resiliently biasing the hinged members toward one another and as a "fastener" for securing the hinged members together. These arrangements have been found to have various disadvantages in terms of durability, performance, complexity, or expense of manufacture. The need has therefore arisen for a hinge assembly of the type described herein, which is simple and inexpensive to produce, assemble and install, that is highly durable, and that is capable of maintaining the hinged member in one or more relative rotational or pivotal orientations, such as in open and closed positions, for example.

According to the present invention, a spring-loaded hinge assembly is provided for interconnecting first and second relatively rotatable members in a hinged relationship with respect to one another. Such a hinge as-

sembly includes a pivot pin or other pivot means for pivotally interconnecting the first and second members for relative rotational movement about a generally longitudinally-extending axis and a cam protruding in a generally lateral direction from one of the first or second members for rotational relative movement therewith. A spring or other resilient biasing means on the other of the first or second members is slidably engaged and resiliently deflected by the cam in order to exert a resilient biasing force on the cam in a generally lateral direction generally toward the longitudinal axis, thus tending to bias the hinged members generally in opposite directions away from one another. Preferably, the resilient biasing means includes a leaf spring secured to one of the first or second members, with the leaf spring being laterally and resiliently deflected by the cam on the other member during at least a portion of the rotational movement of the member.

Preferably, the above-mentioned cam has at least one dwell portion thereon for engaging the leaf spring or other resilient biasing means at a corresponding predetermined, relative rotational orientation of the first and second members with respect to one another. In such an arrangement, the resilient biasing means tends to resiliently and releasably maintain the first and second members in the predetermined relative rotational orientation when engaged by the dwell portion of the cam.

In still another preferred hinge arrangement according to the present invention, the cam can have at least a pair of the dwell portions thereon, with a laterally-enlarged lobe portion disposed between the dwell portions. In this arrangement, the dwell portions engage the resilient biasing means at a corresponding pair of predetermined relative rotational orientations of the first and second members, such as in preselected open and closed orientations for example, in order to resiliently and releasably maintain the first and second members in each of the predetermined orientations. Preferably the resilient biasing means is resiliently and laterally deflected by the cam to a greater extent when engaged by the laterally-enlarged lobe portion of the cam than when engaged by either of the dwell portions of the cam, and the laterally-enlarged lobe portion of the cam has a rounded configuration. This preferred arrangement causes the resilient biasing means to tend to forcibly urge or "self-propel" the first and second members into one of the predetermined relative rotational orientations when the resilient biasing means is engaged by the rounded and laterally-enlarged lobe portion of the cam.

In specific applications of the hinge assembly described above, the cam can be disposed on an accessory door for rotational movement therewith relative to an accessory housing structure. In such an arrangement, the leaf spring or other resilient biasing means is disposed on the housing structure for engagement with the cam on the door, as explained above. Alternately, the cam can be disposed on the housing structure, and the leaf spring or other resilient biasing means can be disposed on the accessory door for rotational movement therewith relative to the housing structure. In any of the embodiments discussed above, a first movable member is hinged or pivotally interconnected with a fixed or movable speed member and is preferably resiliently urged and substantially self-propelled into one of the above-mentioned predetermined rotational orientations relative to the second member whenever the hinged

components are moved to relative rotational orientations in close proximity with one of the predetermined relative rotational orientations at which the cam dwell portion or portions engage the leaf spring or other resilient biasing means.

Additional objects, advantages and features of the present invention will become apparent from the following description and appended claims, taken in conjunction with the accompanying drawings.

### BRIEF DESCRIPTION OF THE DRAWINGS

FIG. 1 is a perspective view of an exemplary visor assembly for the interior of a vehicle, with the visor having a vanity assembly and a hinge assembly according to the present invention for pivotally interconnecting the vanity door with the vanity housing structure.

FIG. 2 is a partial perspective view of an exemplary vehicle seat having a vanity assembly on the rear side thereof, with a hinge assembly according to the present invention pivotally interconnecting the vanity door with the vanity housing structure.

FIG. 3 is a partial view of a preferred vanity assembly of FIG. 1, in a closed position, showing the hinge assembly in hidden lines.

FIG. 4 is a partial top view of the assembly of FIG. 3.

FIG. 5 is a cross-sectional view taken generally along line 5—5 of FIG. 3.

FIG. 6 is a cross-sectional view taken generally along line 6—6 of FIG. 3.

FIG. 7 is a partial view of an alternate vanity assembly, similar to that of FIG. 1, in a closed position with portions broken away to reveal the components of an alternate hinge assembly.

FIG. 8 is a partial exploded perspective view of the hinge portion of the vanity assembly of FIG. 7.

FIG. 9 is a cross-sectional view taken generally along line 9—9 of FIG. 7.

FIG. 10 is a cross-sectional view taken generally along line 10—10 of FIG. 7.

FIG. 11 is a cross-sectional view taken generally along line 11—11 of FIG. 7.

FIG. 12 is a cross-sectional view taken generally along line 12—12 of FIG. 7, with the vanity door shown in a closed position.

FIG. 13 is a cross-sectional view similar to FIG. 12, but showing the vanity door rotated to an open position.

FIG. 14 is a cross-sectional view taken generally along line 14—14 of FIG. 12.

### DETAILED DESCRIPTION OF THE PREFERRED EMBODIMENTS

FIGS. 1 through 14 illustrate various embodiments of hinge assemblies according to the present invention, which are shown incorporated in an exemplary application for a vanity door of a vanity assembly on one side of a vehicle sun visor, as well as illustrating a similar vanity assembly for the rear side of a vehicle seat. One skilled in the art will readily recognize from the discussion, claims and drawings herein, however, that the principles of the present invention are equally applicable to hinge assemblies other than those shown in FIGS. 1 through 14, as well as in other vehicular or non-vehicular applications.

FIG. 1 illustrates an exemplary sun visor 12 pivotally interconnected with a pivot rod 14 adapted for mounting in the interior of a vehicle (not shown). A vanity assembly 20 is mounted on one side of the sun visor 12

and includes a vanity housing 22 and a hinged vanity door 24 for enclosing a mirror 26 and illumination lights 28, for example.

In FIG. 2, a vehicle seat 16 includes a head restraint 18 interconnected therewith, with a vanity assembly 20A mounted on the rear side of the vehicle seat 16. The exemplary vanity assembly 20A includes a vanity housing 22A and a hinged vanity door 24A for enclosing a mirror 26A and illumination lights 28A, or other such vehicular accessories. The vanity assemblies 20 and 20A shown in FIGS. 1 and 2, respectively, are merely illustrative examples of suitable applications for one or more hinge assemblies according to the present invention for hingedly or pivotally interconnecting the vanity doors 24 and 24A with the vanity housings 22 and 22A, respectively. One preferred embodiment of such a hinge assembly according to the present invention is shown in FIGS. 3 through 6 and is described in more detail below.

FIGS. 3 through 6 illustrate various detailed views of hinge assembly 30 for hinged or pivotal interconnection of the vanity door 24 with the vanity housing 22, of FIG. 1. It should be noted that one or more of the hinge assemblies 30 can also be used for hinged or pivotal interconnection of the vanity door 24A with the vanity housing 22A in FIG. 2, as well as in the other vehicular or non-vehicular applications.

The exemplary hinge assembly 30 includes one or more pivot bearing members 32 interconnected or integrally formed with the vanity door 24 and having open portions 34 for insertion of a pivot rod or pin 50. A cam member 36 is also interconnected or integrally formed with the vanity door 24 and includes an open portion 38 for receiving the pivot rod or pin 50 extending longitudinally between the pivot bearing members 32. The cam member 36 preferably includes one or more dwell portions 40 and 42 and a lobe portion 44. The pivot pin 50, which extends in a generally longitudinal direction, is received within the open portions 34 and 38 of the pivot bearing members 32 and the cam member 36, respectively, in order to hingedly and pivotally interconnect the vanity door 24 with the vanity housing 22. Although the exemplary hinge assembly 30 is preferably composed of a molded synthetic or plastic material, it should be noted that the various components of the hinge assembly 30 can alternately be composed of other suitable materials, and can be constructed by other methods, as will be appreciated by one skilled in the art.

It should be noted that the single pivot pin 50 shown in the exemplary embodiments of the hinge assembly 30 depicted in the drawings can be replaced by two or more pivot pins, each of which being received in one of the bearing members 32. In such an arrangement, wherein a pair of pivot pins are disposed on opposite sides of the cam member 36 in lieu of the single pivot pin 50 shown in the drawings, the open portion 38 of the cam member 36 can be eliminated if desired.

The vanity housing 22 of the preferred exemplary hinge assembly 30 also includes a spring support portion 52, having a spring seat 54 thereon, for receiving and retaining a leaf spring 60 extending in a generally longitudinal direction. In the hinge assembly 30 depicted in the drawings, the leaf spring 60 is generally unsupported in a medial portion between the associated spring seats 54 at opposite ends of the leaf spring 60. Thus, when the hinge assembly 30 is assembled, the leaf spring 60 is slidably engaged and resiliently deflected by the cam member 36 during pivotal rotational movement



of the vanity door 24 relative to the vanity housing 22. The deflected leaf spring 60 exerts a resilient biasing force on the cam member 36 in a generally lateral direction, generally toward the longitudinal axis of rotation extending through the pivot pin 50, and thus also tends to resiliently bias the vanity door 24 and the vanity housing 22 in generally opposite directions away from one another.

The leaf spring 60 functions to resiliently but releasably maintain the vanity door 24 in predetermined rotational orientations relative to the vanity housing 22 when the leaf spring 60 is engaged by the dwell portions 40 and 42 of the cam member 36. The laterally-enlarged lobe portion 44 of the cam member 36 preferably has either the narrow intersection of the dwell portions 40 and 42 shown in FIGS. 5 and 6, or an optional rounded or arcuate shape, confronting the leaf spring 60. Thus, the resilient biasing force of the leaf spring 60 tends to resiliently and forcibly urge or self-propel the vanity door 20 toward or into one of such predetermined rotational orientations relative to the vanity housing 22 when the leaf spring 60 is engaged by the laterally-enlarged lobe portion 44. This effect results primarily from the fact that the leaf spring 60 is preferably resiliently deflected in a lateral direction to a greater extent when engaged by the lobe portion 44 than when engaged by either of the dwell portions 40 or 42.

As a result of the arrangement discussed above, when the vanity door 24 is manually rotated to rotational orientations in relatively close proximity to the predetermined relative rotational orientations corresponding to the positions of the dwell portions 40 and 42, the resilient biasing force of the leaf spring 60 tends to self-propel the vanity door portion into such predetermined relative rotational orientations. Although such relative rotational orientations correspond to open and closed positions of the vanity door 24 in the hinge assembly 30 depicted in the drawings, one skilled in the art will readily appreciate that the dwell portions of the cam member in any given application can be preselected to result in any number of other predetermined relative rotational orientations.

In addition to the above, it should also be noted that although the exemplary hinge assembly 30 depicted in the drawings includes the cam member 36 and the pivot bearing members 32 on the vanity door 24, with the pivot pin 50, the leaf spring 60, and the related supporting components on the vanity housing 22, one skilled in the art will readily appreciate that this arrangement can alternately be reversed. In such a reversed arrangement, the cam member 36 and the pivot bearing members 32 would be disposed on the vanity housing 22, while the pivot pin 50, the leaf spring 60, and related supporting components would then be disposed on the vanity door 24. For purposes of convenient reference and simplicity of the drawing figures, such reversed arrangement has not been explicitly shown in the drawings, but the configuration of the hinge components would be substantially identical to that shown in the drawings in connection with the exemplary hinge assembly 30.

FIGS. 7 through 14 illustrate various detailed views of an alternate exemplary hinge assembly 130 for hinged or pivotal interconnection of a vanity door 124 with a vanity housing 122, similar to that shown in FIG. 1. It should be noted that one or more of the hinge assemblies 130 can be used for hinged or pivotal interconnection of a vanity door with a vanity housing similar to

that shown in FIG. 2, as well as in other vehicular or non-vehicular applications.

The hinge assembly 130 includes one or more pivot bearing members 132 interconnected with the vanity door 124 and having open portions 134 for insertion of a pivot rod or pin (described below). A cam member 136 is also interconnected or integrally formed with the vanity door 124 and includes an open portion 138 for receiving a pivot rod or pin extending longitudinally between the pivot bearing members 132. The cam member 136 preferably includes one or more dwell portions 140 and 142 and a lobe portion 144. As perhaps best seen in FIGS. 9 through 14, the exemplary hinge assembly 130 is preferably composed of a molded synthetic or plastic material, and thus the cam member 136 can optionally be molded with a hollowed configuration, indicated by reference numeral 146. It should be noted that the various components of the hinge assembly 130 can alternately be composed of other suitable materials, and can be constructed by other methods, as will be appreciated by one skilled in the art.

The vanity housing 122 includes one or more stanchions 148 protruding in a generally lateral direction to support a pivot pin 150, which extends in a generally longitudinal direction. The pivot pin 150 is received within the open portions 134 and 138 of the pivot bearing members 132 and the cam member 136, respectively, in order to hingedly and pivotally interconnect the vanity door 124 with the vanity housing 122.

Preferably, especially where the various components of the hinge assembly 130 are composed of molded plastic or other synthetic materials, the pivot pin 150 may be laterally urged and "snapped" into place in a pivotal engagement with the pivot bearing members 132. Alternately, as will now be appreciated by one skilled in the art, other suitable retaining arrangements can be employed to retain the pivot pin in place in a pivotal engagement with the pivot bearing members 132. In this regard, it should further be noted that the single pivot pin 150 shown in the exemplary embodiments of the hinge assembly 130 depicted in the drawings can be replaced by two or more pivot pins, each of which being supported by one or more of the stanchions 148 or other similar pin support arrangements. Where a pair of pivot pins are disposed on opposite sides of the cam member 136 in lieu of the single pivot pin 150 shown in the drawings, the open portion 138 of the cam member 136 can be eliminated if desired.

The vanity housing 122 of the exemplary hinge assembly 130 also includes a pair of spring support members 152, each of which includes a spring seat 154, and a pair of spring retainers 156 laterally spaced away from the spring seats 154 for receiving and retaining a leaf spring 160 extending generally longitudinally therebetween. In the hinge assembly 130 depicted in the drawings, the leaf spring 160 is generally unsupported in a medial portion between the associated spring support members 152 and spring retainer members 156 at opposite ends of the leaf springs 160. Thus, when the hinge assembly 130 is assembled, the leaf spring 160 is slidably engaged and resiliently deflected by the cam member 136 during pivotal rotational movement of the vanity door 124 relative to the vanity housing 122. The deflected leaf spring 160 exerts a resilient biasing force on the cam member 136 in a generally lateral direction, generally toward the longitudinal axis of rotation extending through the pivot pin 150.

As perhaps best seen in FIGS. 12 and 13, the leaf spring 160 tends to resiliently but releasably maintain the vanity door 124 in predetermined rotational orientations relative to the vanity housing 122 when the leaf spring 160 is engaged by the dwell portions 140 and 142 of the cam member 136. Conversely, because the laterally-enlarged lobe portion 144 of the cam member 136 has a generally rounded configuration confronting the leaf spring 160, the resilient biasing force of the leaf spring 160 tends to resiliently and forcibly urge or self-propel the vanity door 124 into one of such predetermined rotational orientations relative to the vanity housing 122 when the leaf spring 160 is engaged by the laterally-enlarged lobe portion. This effect results from the above-mentioned rounded configuration of the lobe portion 144 and from the fact that the leaf spring 160 is preferably resiliently deflected to a greater lateral extent when engaged by the lobe portion 144 than when engaged by either of the dwell portions 140 or 142.

As a result of the arrangement discussed above, when the vanity door 124 is manually rotated to rotational orientations in relatively close proximity to the predetermined relative rotational orientations corresponding to the positions of the dwell portions 140 and 142, the resilient biasing force of the leaf spring 160 tends to self-propel the vanity door portion into such predetermined relative rotational orientations. Although such relative rotational orientations correspond to open and closed positions of the vanity door 124 in the hinge assembly 130 depicted in the drawings, one skilled in the art will readily appreciate that the dwell portions of the cam member in any given application can be preselected to result in any number of other predetermined relative rotational orientations.

In addition to the above, it should also be noted that although the exemplary hinge assembly 130 depicted in the drawings includes the cam member 136 and the pivot bearing members 132 on the vanity door 124, with the pivot pin 150, the leaf spring 160, and their related supporting components on the vanity housing 122, one skilled in the art will readily appreciate that this arrangement can alternately be reversed. In such a reversed arrangement, the cam member 136 and the pivot bearing members 132 would be disposed on the vanity housing 122, while the pivot pin 150, the leaf spring 160, and their related components would then be disposed on the vanity door 124. For purposes of convenient reference and simplicity of the drawing figures, such reversed arrangement has not been explicitly shown in the drawings, but the configuration of the hinge components would be substantially identical to that shown in the drawings in connection with the exemplary hinge assembly 130.

The foregoing discussion discloses and describes exemplary embodiments of the present invention. One skilled in the art will readily recognize from such discussion and from the accompanying drawings and claims, that various changes, modifications, and variations may be made therein without departing from the spirit and scope of the invention as defined in the following claims.

I claim:

1. A spring-loaded hinge assembly for interconnecting an accessory door with an accessory housing structure for a vehicle, said hinge assembly comprising: pivot means pivotally interconnecting the door with the housing structure for rotational movement of the door relative to the housing structure about a longitudinally-

extending axis; a cam member protruding in a generally lateral direction from the door for rotational movement therewith; said cam member having at least one dwell portion thereon; leaf spring means on the housing structure and slidably and resiliently deflectably engageable by said cam member for exerting a resilient biasing force on said cam member; and support means interconnected with the housing structure for supporting said leaf spring means in a direction generally opposite the direction of said engagement of said leaf spring means by said cam member, said support means supporting said leaf spring means at least at two spaced-apart support locations thereon, said cam member deflectably engaging said leaf spring means at a medial location thereon between said spaced-apart support locations, said leaf spring means tending to maintain the door in a predetermined rotational orientation relative to the housing structure when engaged by said dwell portion of said cam member.

2. A hinge assembly according to claim 1, wherein said leaf spring means is secured to the housing structure, said leaf spring means being laterally and resiliently deflected by said cam member during at least a portion of said rotational movement of said cam member and the door relative to the housing structure.

3. A hinge assembly according to claim 1, wherein said cam member includes a laterally-enlarged lobe portion disposed generally adjacent said dwell portion, said leaf spring means being resiliently and generally laterally deflected by said cam member to a greater extent when engaged by said laterally-enlarged lobe portion of said cam member than when engaged by said dwell portion of said cam member.

4. A hinge assembly according to claim 3, wherein said cam member includes at least a pair of said dwell portions, and said laterally-enlarged lobe portion of said cam member is disposed generally at the intersection of said dwell portions in order to cause said leaf spring means to tend to forcibly urge the door into said predetermined relative rotational orientation relative to the housing structure when said leaf spring means is engaged by said laterally-enlarged lobe portion.

5. A hinge assembly according to claim 3, wherein said cam member includes at least a pair of said dwell portions thereon, said laterally-enlarged lobe portion being disposed between said dwell portions, said dwell portions engaging said leaf spring means at a corresponding pair of said predetermined relative rotational orientations of the door and the housing structure, said leaf spring means tending to resiliently and releasably maintain the door and the housing structure in each of said predetermined relative rotational orientations when engaged by the corresponding dwell portion of said cam member.

6. A hinge assembly according to claim 5, wherein said leaf spring means is secured to the housing structure, said leaf spring being laterally and resiliently deflected by said cam member during at least a portion of said rotational movement of said cam member and the door relative to the housing structure.

7. A hinge assembly according to claim 5, wherein the accessory housing structure is a vehicle window visor adapted for housing a vanity assembly, the door being pivotally interconnected to said visor for rotational movement between an open position exposing said vanity assembly and a closed position covering said vanity assembly, said predetermined relative rotational

orientations of the door relative to the visor corresponding to said open and closed door positions.

8. A hinge assembly according to claim 5, wherein the accessory housing structure is a vehicle head restraint adapted for housing a vanity assembly, the door being pivotally interconnected to said head restraint for rotational movement between an open position exposing said vanity assembly and a closed position covering said vanity assembly, said predetermined relative rotational orientations of the door relative to the head restraint corresponding to said open and closed door positions.

9. A spring-loaded hinge assembly for interconnecting an accessory door with an accessory housing structure for a vehicle, said hinge assembly comprising: pivot means pivotally interconnecting the door with the housing structure for rotational movement of the door relative to the housing structure about a longitudinally-extending axis; a cam member protruding in a generally lateral direction from the housing structure; said cam member having at least one dwell portion thereon; leaf spring means disposed on the door for rotational movement therewith, said leaf spring means being slidably and resiliently deflectably engageable by said cam member for exerting a resilient biasing force on said cam member; and support means interconnected with the door for supporting said leaf spring means in a direction generally opposite the direction of said engagement of said leaf spring means by said cam member, said support means supporting said leaf spring means at least at two spaced-apart support locations thereon, said cam member deflectably engaging said leaf spring means at a medial location thereon between said spaced-apart support locations, said leaf spring means tending to maintain the door in a predetermined rotational orientation relative to the housing structure when engaged by said dwell portion of said cam member.

10. A hinge assembly according to claim 9, wherein said leaf spring means is secured to the door, said leaf spring means being laterally and resiliently deflected by said cam member during at least a portion of said rotational movement of said cam member and the door relative to the housing structure.

11. A hinge assembly according to claim 9, wherein said cam member includes a laterally-enlarged lobe portion disposed generally adjacent said dwell portion, said leaf spring means being resiliently and generally laterally deflected by said cam member to a greater extent when engaged by said laterally-enlarged lobe portion of said cam member than when engaged by said dwell portion of said cam member.

12. A hinge assembly according to claim 11, wherein said cam member includes at least a pair of said dwell portions, and said laterally-enlarged lobe portion of said cam member is disposed generally at the intersection of said dwell portions in order to cause said leaf spring means to tend to forcibly urge the door into said predetermined relative rotational orientation relative to the housing structure when said leaf spring means is engaged by said laterally-enlarged lobe portion.

13. A hinge assembly according to claim 11, wherein said cam member includes at least a pair of said dwell portions thereon, said laterally-enlarged lobe portion being disposed between said dwell portions, said dwell portions engaging said leaf spring means at a corresponding pair of said predetermined relative rotational orientations of the door and the housing structure, said leaf spring means tending to resiliently and releasably

maintain the door and the housing structure in each of said predetermined relative rotational orientations when engaged by the corresponding dwell portion of said cam member.

14. A hinge assembly according to claim 13, wherein said leaf spring means is secured to the door, said leaf spring means being laterally and resiliently deflected by said cam member during at least a portion of said rotational movement of said cam member and the door relative to the housing structure.

15. A hinge assembly according to claim 13, wherein the accessory housing structure is a vehicle window visor adapted for housing a vanity assembly, the door being pivotally interconnected to said visor for rotational movement between an open position exposing said vanity assembly and a closed position covering said vanity assembly, said predetermined relative rotational orientations of the door relative to the visor corresponding to said open and closed door positions.

16. A hinge assembly according to claim 13, wherein the accessory housing structure is a vehicle head restraint adapted for housing a vanity assembly, the door being pivotally interconnected to said head restraint for rotational movement between an open position exposing said vanity assembly and a closed position covering said vanity assembly, said predetermined relative rotational orientations of the door relative to the head restraint corresponding to said open and closed door positions.

17. *A spring-loaded hinge assembly for interconnecting an accessory door with an accessory housing structure for a vehicle, said hinge assembly comprising: pivot means pivotally interconnecting the door with the housing structure for relative rotational movement of the door and the housing structure with respect to one another about a longitudinally-extending axis; a cam member protruding in a generally lateral direction from one of the door or the housing structure for relative rotational movement therewith; said cam member having at least one dwell portion thereon; leaf spring means on the other of the door or the housing structure, said leaf spring means being resiliently deflectably engageable by said cam member for exerting a resilient biasing force on said cam member; and support means interconnected with one of the door or the housing structure for supporting said leaf spring means in a direction generally opposite the direction of said engagement of said leaf spring means by said cam member, said support means supporting said leaf spring means at least at two spaced-apart support locations thereon, said cam member deflectably engaging said leaf spring means at a medial location thereon between said spaced-apart support locations during at least a portion of said relative rotational movement of the door and the housing structure, said leaf spring means tending to maintain the door and the housing structure in a predetermined relative rotational orientation with respect to one another when engaged by said dwell portion of said cam member.*

18. *A hinge assembly according to claim 17, wherein said leaf spring means is secured to one of the door or the housing structure, said leaf spring means being laterally and resiliently deflected by said cam member during at least a portion of said relative rotational movement of the door and the housing structure.*

19. *A hinge assembly according to claim 17, wherein said cam member includes a laterally-enlarged lobe portion disposed generally adjacent said dwell portion, said leaf spring means being resiliently and generally laterally deflected by said cam member to a greater extent when*

engaged by said laterally-enlarged lobe portion of said cam member than when engaged by said dwell portion of said cam member.

20. A hinge assembly according to claim 19, wherein said cam member includes at least a pair of said dwell portions, and said laterally-enlarged lobe portion of said cam member is disposed generally at the intersection of said dwell portion in order to cause said leaf spring means to tend to forcibly urge the door and the housing structure into said predetermined relative rotational orientation when said leaf spring means is engaged by said laterally-enlarged lobe portion.

21. A hinge assembly according to claim 19, wherein said cam member includes at least a pair of said dwell portions thereon, said laterally-enlarged lobe portion being disposed between said dwell portions, said dwell portions engaging said leaf spring means at a corresponding pair of said predetermined relative rotational orientations of the door and the housing structure, said leaf spring means tending to resiliently and releasably maintain the door and the housing structure in each of said predetermined relative rotational orientations when engaged by the corresponding dwell portion of said cam member.

22. A hinge assembly according to claim 21, wherein said leaf spring means is secured to one of the door or the housing structure, said leaf spring means being laterally and resiliently deflected by said cam member during at least a portion of said relative rotational movement of the door and the housing structure.

23. A hinge assembly according to claim 21, wherein the housing structure is a vehicle window visor adapted for housing a vanity assembly, the door being pivotally interconnected to said visor for said relative rotational movement between an open position exposing said vanity assembly and a closed position covering said vanity assembly, said predetermined relative rotational orientations of the door and the visor corresponding to said open and closed door positions.

24. A hinge assembly according to claim 21, wherein the accessory housing structure is a vehicle head restraint adapted for housing a vanity assembly, the door being pivotally interconnected to said head restraint for said relative rotational movement between an open position exposing said vanity assembly and a closed position covering said vanity assembly, said predetermined relative rotational orientations of the door and the head restraint corresponding to said open and closed door positions.

\* \* \* \* \*

30

35

40

45

50

55

60

65

UNITED STATES PATENT AND TRADEMARK OFFICE  
**CERTIFICATE OF CORRECTION**

PATENT NO. : RE. 33,610  
DATED : June 11, 1991  
INVENTOR(S) : Lobanoff, et al

It is certified that error appears in the above-identified patent and that said Letters Patent is hereby corrected as shown below:

Column 2, line 65, "speed" should be --second--.  
Column 4, line 64, "medical" should be --medial--.  
Column 4, line 64, after "portion" insert --based--.  
Column 6, line 60, "springs" should be --spring--.  
Column 9, line 49, Claim 11, "extend" should be --extent--.  
Column 11, line 8, Claim 20, "portion" should be --portions--.

Signed and Sealed this  
Twenty-seventh Day of October, 1992

*Attest:*

DOUGLAS B. COMER

*Attesting Officer*

*Acting Commissioner of Patents and Trademarks*