

[54] METHOD AND APPARATUS FOR RECYCLING ASPHALT-AGGREGATE COMPOSITIONS

4,025,057	5/1977	Shearer	366/25
4,177,080	12/1979	Mendenhall	366/25
4,182,631	1/1980	Mendenhall	106/281
4,211,490	7/1980	Brock	366/1
4,215,941	8/1980	Mendenhall	366/25

[76] Inventor: Robert L. Mendenhall, 1770 Industrial Rd., Las Vegas, Nev. 89102

[*] Notice: The portion of the term of this patent subsequent to Dec. 28, 1993 has been disclaimed.

[21] Appl. No.: 340,086

[22] Filed: Jan. 18, 1982

FOREIGN PATENT DOCUMENTS

844863 12/1976 Belgium

OTHER PUBLICATIONS

"Hot-Mix Recycling of Asphalt Pavement", by Charles R. Foster, Jun. 1975, *Napa News*.

"Hot-Mix Recycling of Asphalt Pavement", by Charles R. Foster, Aug. 1975.

Napa "Recycling Report", vol. 1, No. 1, May 27, 1977.

"The Asphalt Handbook" The Asphalt Institute, Jul. 1962 Edition Manual Series No. 4(MS-4).

1960 Barber-Greene Brochure, "Dryer Principles", pp. 1-15.

Hot Mix Recycling Project is Nation's First Using Conventional Equipment", Maplewood Project *Napa News*, vol. 1-No. 30.

Primary Examiner—Robert W. Jenkins

Attorney, Agent, or Firm—Jerry R. Seiler

Related U.S. Patent Documents

Reissue of:

[64] Patent No.: 4,215,941
 Issued: Aug. 5, 1980
 Appl. No.: 12,657
 Filed: Feb. 16, 1979

U.S. Applications:

[60] Division of Ser. No. 864,673, Dec. 27, 1977, Pat. No. 4,177,080, which is a continuation-in-part of Ser. No. 718,063, Aug. 26, 1976, Pat. No. 4,182,631, which is a continuation-in-part of Ser. No. 603,357, Aug. 11, 1975, Pat. No. 3,999,743.

[51] Int. Cl.³ B28C 5/46

[52] U.S. Cl. 366/25

[58] Field of Search 366/4, 7, 22, 23, 24, 366/25, 144, 147, 54, 30, 33, 35; 106/273 R, 273 N, 277, 276, 285

[56] References Cited

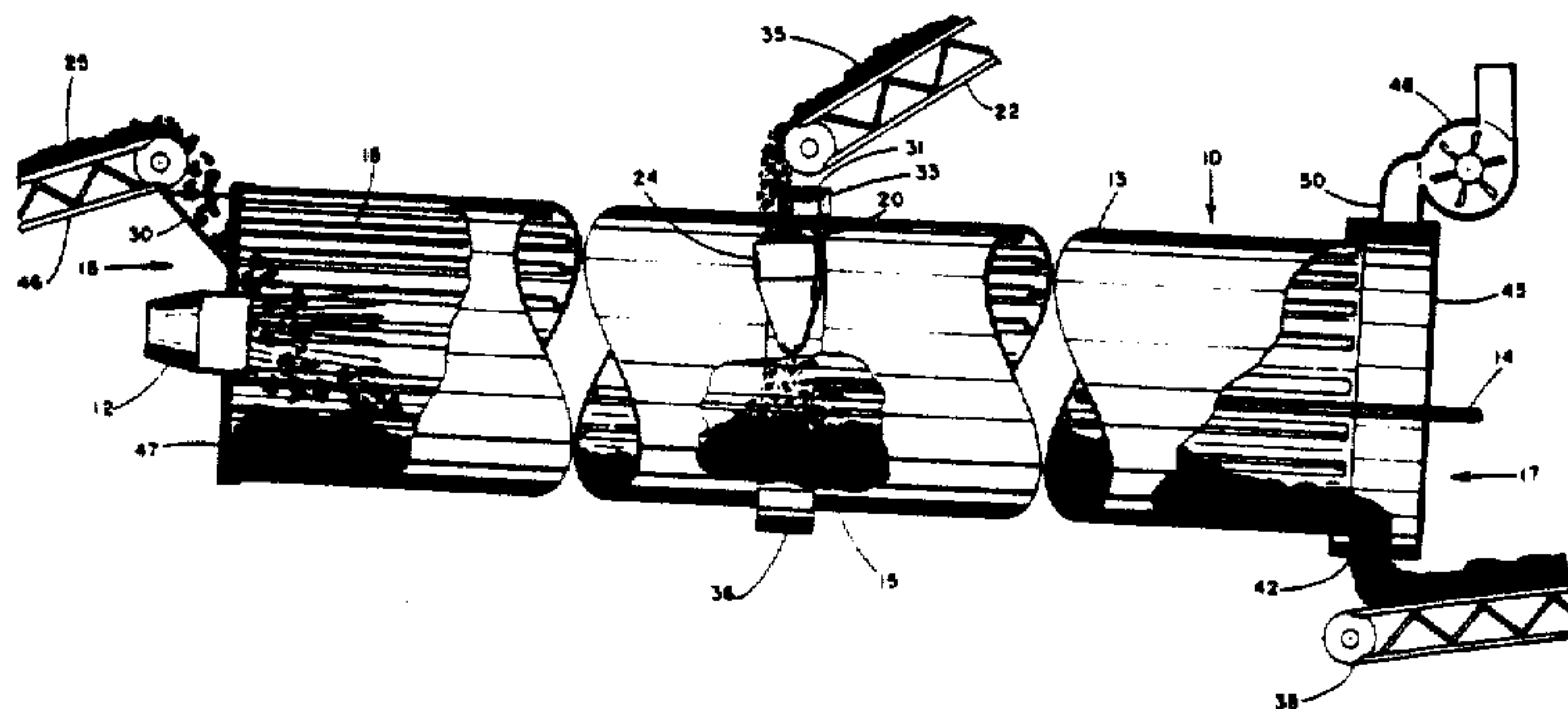
U.S. PATENT DOCUMENTS

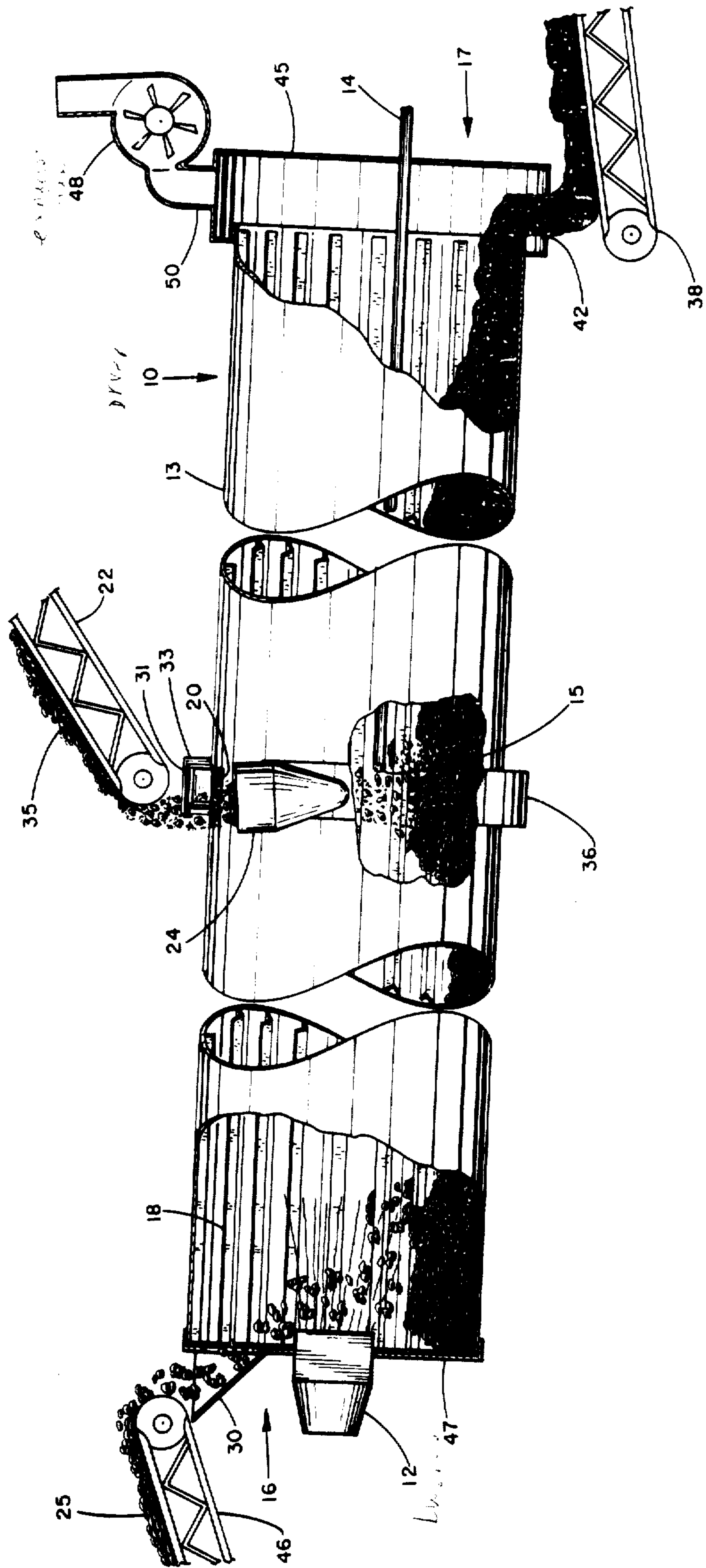
1,774,649	9/1930	Hepburn	366/7
2,305,938	12/1942	Turnbull	366/25
2,421,345	5/1947	McConaughay	366/25
2,701,213	2/1955	Neville	106/278
2,923,538	2/1960	Schoonover	366/154
3,423,222	1/1969	McConaughay	106/278
3,614,071	10/1971	Brock	366/25
3,845,941	11/1974	Mendenhall	366/24
3,866,888	2/1975	Dydyk	366/25
3,975,002	8/1976	Mendenhall	366/24
3,999,743	12/1976	Mendenhall	366/4

[57] ABSTRACT

In a process for producing asphalt-aggregate composition in which used asphaltic concrete is recycled by being heated and mixed in a rotatable drum into which flame and hot gases of combustion are directed, the improvement comprises introducing virgin aggregate in a hot zone of the drum and directly exposing the aggregate to the flame and/or hot gases of combustion, and introducing particles of asphalt-aggregate composition downstream from the hot drum input end, away from direct exposure to the flame and extremely hot gases, in a cooler temperature zone. An improved apparatus includes means for introducing the aggregate at the input drum end for direct exposure to the flame or hottest gases, and means for introducing the used and recycled asphalt-aggregate composition in a cooler drum zone.

13 Claims, 1 Drawing Figure





METHOD AND APPARATUS FOR RECYCLING ASPHALT-AGGREGATE COMPOSITIONS

Matter enclosed in heavy brackets [] appears in the original patent but forms no part of this reissue specification; matter printed in italics indicates the additions made by reissue.

This is a Reissue of U.S. Pat. No. 4,215,941, which is a division of application Ser. No. 864,673, filed Dec. 27, 1977, now U.S. Pat. No. 4,177,080 and which is a continuation-in-part of applicant's copending application Ser. No. 718,063, filed Aug. 26, 1976 now U.S. Pat. No. 4,182,631, which is a continuation-in-part of application Ser. No. 603,357, filed Aug. 11, 1975, now U.S. Pat. No. 3,999,743.

BACKGROUND OF THE INVENTION

In my U.S. Pat. No. 3,999,743, there is described a process and apparatus for recycling used asphalt-aggregate composition in which the composition is crushed and sized into different particle size ranges, and introduced into a rotatable drum in which the composition is exposed directly to the flame and hot gases of combustion. The specific process includes the introduction of coarse and fine asphalt-aggregate composition particles into separate and distinctive heating zones in the drum. Because fine or smaller asphalt containing composition particles will become more easily heated as compared to coarse particles, the smaller particles are introduced into the drum in a cooler zone in order to prevent burning and degradation of the asphalt should it become too hot, thereby resulting in significant smoke and other undesirable pollutants.

SUMMARY OF THE INVENTION

The present invention is directed to a process for further improving the reduction of atmospheric pollutants given off when heating asphalt-aggregate compositions during recycle processing. The invention comprises introducing non-asphalt containing aggregate particles in a hot zone of a rotating drum whereby the aggregate is exposed directly to flame and/or hot gases of combustion, and introducing the asphalt-aggregate composition being recycled in one or more cooler zones of the drum, whereby overheating of the asphalt of the recycle material is avoided.

BRIEF DESCRIPTION OF THE DRAWING

The drawing illustrates the apparatus of the invention, partially in section and partially cut away, showing the improved features of the modified apparatus, as well as illustrating the process according to the invention.

DETAILED DESCRIPTION OF THE INVENTION

Observing the drawing, there is illustrated a rotatable dryer-type drum 10 having an outer cylindrical cover or surface 13, a stationary input end wall 47, and a stationary output end cover 45, enclosing the hollow interior drum chamber. Secured on the interior drum surface are a plurality of elongated lifters or flights 18 extending substantially the length of the drum interior. The purpose of the lifters is to assist in mixing the aggregate and asphalt containing composition by lifting it as the drum rotates. The materials then cascade from the rising lifters and fall gravitationally to the bottom of the

rotating drum during the mixing and heating operation. The drum is preferably inclined, as shown, so that aggregate introduced at input end 16 will be drawn gradually gravitationally toward output drum end 17. Thus, the input end is elevated relative to the output end. The degree of tilt may be varied to change the rate at which the material flows through the drum.

The apparatus includes means for rotating the drum, not shown, for example, a sprocket extending around the drum surface 13 to which is secured a chain also meshing with gears and a motor or other drive means. The drum may be supported on rollers and a suitable frame. Specific means for rotating and supporting the drum are not a part of the invention and will be understood by those skilled in the art. In the apparatus, hot gases of combustion produced by burner 12 are directed into the drum interior. The stationary output end cover 45 may have a port 42 at the bottom thereof through which heated and mixed composition is recovered. The final composition simply falls through the port onto a conveyor 38. Other equivalent product recovery means may be used and that shown is by way of example only. Both the input end wall and output end cover are separated at least slightly from their respective drum end surfaces to avoid interference with drum rotation. On or near the top of the output end cover is a gas vent stack 50 which cooperates with an exhaust fan 48 to draw the hot gases from burner 12 through the drum into the stack for venting and discharge into the atmosphere. Alternatiely, the gases and entrained dust may be directed to a dust collector or knock out box with cooperating ducts. Other characteristics of the apparatus may be found in my aforesaid co-pending application, the pertinent portions thereof being incorporated herein by reference.

The significant improvement of the process and apparatus of the present invention is the manner in which the aggregate and recycle asphaltic concrete particles are introduced into the heating and mixing drum and the improved and advantageous result therefrom. It has been found that by introducing the asphalt containing recycled particles in a cooler zone in the apparatus as compared to the hot zone in which the aggregate particles are introduced, heating efficiency is improved, asphalt degradation is substantially decreased, if not eliminated, improved product is achieved, and air pollution problems due to smoke, unburned hydrocarbons, noxious gases, and fumes being vented into the atmosphere are obviated.

As shown in the drawing, aggregate particles 25, normally virgin aggregate, are directed into drum 10 at the input end 16, just inside end wall 47, and are directly exposed to hot gases from burner 12 in a first and hottest drum zone. The aggregate is heated by the flame, including both luminous and nonluminous portions, radiant energy and hot gases of combustion from burner 12, of any suitable conventional oil or gas burning type, which will produce flame and hot gases and which are directed into the drum interior through an orifice funnel or opening suitably located in the input end wall 47. In this hot zone of the drum the environmental temperatures may be, for example, between about 1,000° and about 3,000° F., and higher, depending on the size and output of the burner as well as the dispersion of flame and hot gases. The aggregate particles are lifted along the drum interior surface and fall or cascade and tumble through the hot gas while they gradually are heated and drawn forwardly toward the output drum end.

As also shown, the recycled asphalt-aggregate particles 35 are introduced at some distance forwardly, downstream or toward the output end of the apparatus from the input end, in a second and cooler zone. The specific temperature of the cooler zone will depend on the distance from the burner at which the asphalt containing particles are introduced as well as the output or capacity of the burner used in the apparatus. Not only is the second zone cooler because of its distance from burner 12, but a veil of cascading aggregate particles in the hot zone forms a heat sink to significantly lower the hot gas temperature and further shields the asphalt containing particles from the [radiant] radiant energy of the flame. Although the second zone is cooler than the hot zone at the input end, the asphalt-aggregate particles will become heated sufficiently by exposure to the high temperature gases passing through that zone and by being mixed with the heated aggregate. As the drum rotates, the asphalt containing particles are lifted and cascade and mix with the heated aggregated particles passing from the hot zone.

The preferred temperature in the cooler second zone will be below about 800° F. Higher temperatures are preferably avoided, to prevent burning of the more easily heated fines, which usually contain significant amounts of asphalt. Such fines are the smaller asphalt containing particles in the crushed asphaltic concrete material being recycled, which will pass a No. 8 U.S. Series sieve, and often comprise between about 20 and 60%, by weight, of the recycle composition. Where substantial amounts of fines are present, and especially where fine particle sizes are quite small, it may be desirable to introduce the asphalt containing particles in the cooler zone at temperatures below even 600° F. Thus, the specific cooler zone temperature will depend on the size and quantity of fines present.

Although one cooler zone is shown in the drawing, two or more separate zones may be used for introducing the recycled asphalt containing composition particles, each one being cooler than the next adjacent zone nearer the input end. Thus, it will be understood that any number of a plurality of zones or positions at which asphalt-aggregate composition particles are introduced may be used, depending on the practical considerations of apparatus design, and separations and handling of different particle sizes desired. Although one cool zone may be sufficient, two cooler zones may be used, a first one for coarse asphalt-aggregate particles, and a second even cooler zone for introducing the finer particles. Such a plurality of cooler zones as well as separation of different asphalt containing particle size ranges is described in my aforesaid U.S. Pat. No. 3,999,743. Moreover, if the apparatus is provided with means for introducing composition into more than two zones, only two zones need actually be used. Because the specific distance between zones is dependent on burner capacity, particle sizes, and the like, the distance between input end wall 47 and the second zone fed by chute 24, as shown in the drawing, is only for the purpose of illustration and is not limiting. Thus, the distance between zones may be selected to achieve the desired temperature in the respective zones.

The amount of aggregate added in the recycling process will depend on a number of variables. Normally, any amount, for example, up to about 50% by weight or more, if desired, of aggregate, may be used, understanding that the final product will usually have between about 80 and about 95% by weight aggregate, depend-

ing on paving or surface job specifications and requirements. Since the combining of the virgin aggregate and asphalt in the process achieves a product having a higher percentage of virgin mix, the amount of aggregate used will normally depend on the amount of recycled composition available, its age and condition, aggregate sizes available, cost requirements, and atmospheric pollution restrictions at the job or plant site.

The aggregate or recycled asphalt-aggregate particles may be introduced in any suitable manner, for example, a chute or hopper. A funnel chute 30 is conveniently used at the stationary input end wall with aggregate particles 25 introduced via conveyor 46. The particles will pass through an opening in the end wall 47 so as to drop through the hot flame and combustion gases of burner 12. Alternatively, for introducing aggregate, and/or for introducing asphalt-aggregate particles in the cooler drum zone, a scoop means, secured to the drum exterior and cooperating with a trough into which composition is placed, is illustrated in the drawing. As shown, a trough 36 is stationarily positioned around the rotating cylindrical drum 10. A plurality of spaced ports 20 are located around the drum surface, which ports open into the drum interior and communicate exteriorly thereof. A scoop 31 is secured to the drum exterior overlying each port 20, the scoops having a cavity which communicates with the port, and an edge providing a surface for engaging composition as the drum rotates. Trough 36 extends around the drum covering the scoops and forms a cavity in which the scoops are disposed and pass as the drum rotates. A chute 24 communicates with trough 36, so that composition particles introduced through the chute and into the trough are then picked up by the scoops and fall gravitationally through ports 20 into the drum interior. The size and shape of the trough should be such as to allow scoops to pass without resistance therethrough, and to pick up the composition particles introduced into the trough cavity. The trough sides will preferably have edges which follow the general shape of the drum exterior around which they extend but which side edges are spaced at least slightly from the drum surface to avoid contact since the drum rotates while the trough is maintained in a stationary position. Means for introducing particles into the trough, for example, via chute 24, is not especially critical and any convenient means may be used. For example, a conveyor system 22 as shown may bring composition particles up to chute 24 and which then passes into the hopper and trough.

The size and shape of the scoops and trough are not particularly critical but are preferably such that the outer edge along the scoops are of the same shape but slightly smaller than the interior wall of the trough. The scoops are also preferably sloped so that particles will fall easily along the scoop interior and into the ports gravitationally. More specific details of the scoops, ports, and troughs used for the cooler zones may be found in applicant's U.S. Pat. No. 4,034,968, which description is incorporated herein by reference. However, any means may be used for introducing the particles in the different zones, even including one or more conveyors extending into the drum from the output end, for example, through output end cover 45. Thus, the means are not critical and those shown being for the purpose of illustration.

The apparatus may incorporate one or more pipes 14, having one or more openings 15, or similar means, for directing asphalt into the drum. The asphalt is prefera-

bly added hot to have a more liquid consistency for delivery through such a pipe, where it may be sprayed on the particles in the drum to achieve the desired asphalt-aggregate product characteristics. The asphalt is preferably added to the heated particulate mixture toward the forward, output apparatus end away from burner 12, to avoid possible burning or degradation of the asphalt. However asphalt should be introduced far enough into the drum to allow sufficient mixing with the aggregate and recycled asphalt-aggregate composition mixture gradually being drawn to the output end, as it cascades and tumbles in the rotating, tilted drum. This distance, as well as the asphalt quantities, will be readily determined by skilled artisans. Of course, the quantity of asphalt added will depend on the ratio of aggregate to recycled asphalt containing material being mixed, with greater aggregate quantities requiring more asphalt. Preferably the pipe and asphalt delivery orifice 15 will extend into the drum to discharge the liquid asphalt near the location at which the asphalt containing particles are introduced and as shown in the drawing. Again, asphalt is preferably added as far into the drum as practical to give adequate mixing prior to composition recovery at the output end. The pipe 14 may be extendable to different lengths to provide flexibility in discharging liquid asphalt at different selected locations.

The resulting composition recovered will have a preferred temperature of at least about 200° F. and preferably above 225° F. or more. The desired temperature can be achieved by varying the pitch or tilt of the drum, its rate of rotation, burner heat, and material input rates. If additional temperature control in the cooler zone in which the asphalt containing material is added is desired, a barrier plate as described in my co-pending application Ser. No. 754,315, filed Dec. 27, 1976, may be used, the description of which is incorporated herein by reference. If such a plate is used, recycled composition will be added on the cool side of the plate. Moreover, if desired, aromatic hydrocarbon softening agent may also be used in the final [produce] product, as described in my U.S. Pat. No. 4,000,000. This flexibility of the process and apparatus as well as other modifications and advantages thereof within the purview of the invention will be evident to those skilled in the art.

I claim:

1. Apparatus for heating and mixing asphalt-aggregate composition comprising

- (a) an elongated rotatable drum having an input end and an opposite output end,
- (b) means for supplying hot gases of combustion at said input end and for directing said hot gases substantially along the length of said drum between said input and said output ends whereby said composition is gradually heated therebetween,
- (c) first means for supplying aggregate particles into said drum at a hot zone whereby said aggregate is directly exposed to said hot gases,
- (d) second means for introducing asphaltic concrete particles comprising a mixture of asphalt and aggregate to said drum in a cooler zone whereby said asphaltic concrete is directly exposed to said hot gases in said cooler zone, and
- (e) means for recovering heated and mixed composition at said output end.

2. Apparatus of claim 1 including means for introducing liquid asphalt in said cooler zone of said drum.

3. Apparatus of claim 1 wherein said second means includes a radial port on said drum.

4. Apparatus of claim 1 wherein said second means comprises a plurality of input ports extending around the drum exterior and communicating with the drum interior.

5. Apparatus of claim 4 including a plurality of scoops each secured to the drum exterior and overlying one of said ports, and a trough extending around a portion of said drum exterior for receiving said asphaltic concrete particles, and whereby said scoops pass along said trough for picking up said particles and introducing them into said drum through said ports.

6. A heating and mixing apparatus for producing asphalt-aggregate composition comprising:

- (a) an elongated rotatable mixing drum and means for rotating said drum;
- (b) means for supplying hot gases of combustion at an input end of said drum and for directing said hot gases substantially along the length of said drum to an opposite output end;
- (c) means [for] capable of introducing up to about 50% or more, by weight, of said asphalt-aggregate composition first solid particles into said drum at said input end in a hot zone whereby said first solid particles are directly exposed to said hot gases and are gradually heated as they pass toward said output drum end;
- (d) means [for] capable of introducing about 50% or more, by weight, of said asphalt-aggregate composition second solid particles into said drum in a cooler zone spaced from said input end whereby said solid particles are directly exposed to said hot gases in said cooler zone and are gradually heated as they pass toward said output drum end;
- (e) means for mixing said first and second solid particles as they pass toward said drum output end; and
- (f) means for recovering heated and mixed composition at said output end of said drum.

7. Apparatus of claim 6 including means for introducing liquid asphalt in said cooler zone of said drum.

8. Apparatus of claim 6 wherein said means for introducing said second solid particles includes a radial port on said drum.

9. Apparatus of claim 6 wherein said means for introducing said second solid particles comprises a plurality of input ports extending around the drum exterior and communicating with the drum interior.

10. Apparatus of claim 9 including a plurality of scoops each secured to the drum exterior and overlying one of said ports, and a trough extending around a portion of the drum exterior for receiving said second solid particles, and whereby said scoops pass along said trough for picking up said second solid particles and introducing them into said drum through said ports.

11. Apparatus of claim 1 wherein said first means comprises means capable of supplying up to about 50% or more, by weight, of the asphalt-aggregate composition, and said second means comprises means capable of introducing about 50%, or more, by weight, of the asphalt-aggregate composition.

12. Apparatus for continuously heating and mixing asphalt-aggregate composition comprising

- (a) an elongated rotatable drum having an input end and an opposite output end,
- (b) means for supplying hot gases of combustion at said input end and for directing said hot gases substantially along the length of said drum between said input

7

and said output ends whereby said composition is gradually heated therebetween.

(c) first means for continuously supplying aggregate particles into said drum at a hot zone whereby said aggregate is directly exposed to said hot gases,

(d) second means for continuously introducing asphaltic concrete particles comprising a mixture of asphalt and aggregate to said drum in a cooler zone having a temperature of at least about 200° F. whereby said

5

10

15

20

25

30

35

40

45

50

55

60

65

8

asphaltic concrete is directly exposed to said hot gases in said cooler zone. and

(e) means for recovering heated and mixed composition at said output end.

13. The apparatus of claims 6 or 12 wherein the temperature of said cooler zone is between about 200° and about 800° F.

* * * * *