

[54] COMBINATION FLYER-JUMPER ASSOCIATED WITH A GEOPHYSICAL DATA ACQUISITION SYSTEM AND METHOD OF MANUFACTURE

[75] Inventor: Reid F. Carter, Houston, Tex.
 [73] Assignee: Chevron Research Company, San Francisco, Calif.
 [21] Appl. No.: 225,930
 [22] Filed: Jan. 19, 1981

4,052,694 10/1977 Fredriksson .
 4,166,963 9/1979 Walker et al. 339/49 R
 4,249,788 2/1981 McNeel 339/49 R

FOREIGN PATENT DOCUMENTS

2806496 8/1978 Fed. Rep. of Germany 339/47 R

Primary Examiner—Howard A. Birmiel
 Attorney, Agent, or Firm—Edward J. Keeling; H. D. Messner

Related U.S. Patent Documents

Reissue of:

[64] Patent No.: 4,146,872
 Issued: Mar. 27, 1979
 Appl. No.: 819,317
 Filed: Jul. 27, 1977

U.S. Applications:

[63] Continuation of Ser. No. 700,689, Jun. 28, 1976.
 [51] Int. Cl.³ G01V 1/22; H01R 25/00
 [52] U.S. Cl. 367/76; 174/74 R;
 174/114 S; 339/49 R
 [58] Field of Search 367/15, 20, 58, 76-80;
 174/101.5, 70 R, 71 R, 74 R, 114 S; 339/49 R,
 94 R

References Cited

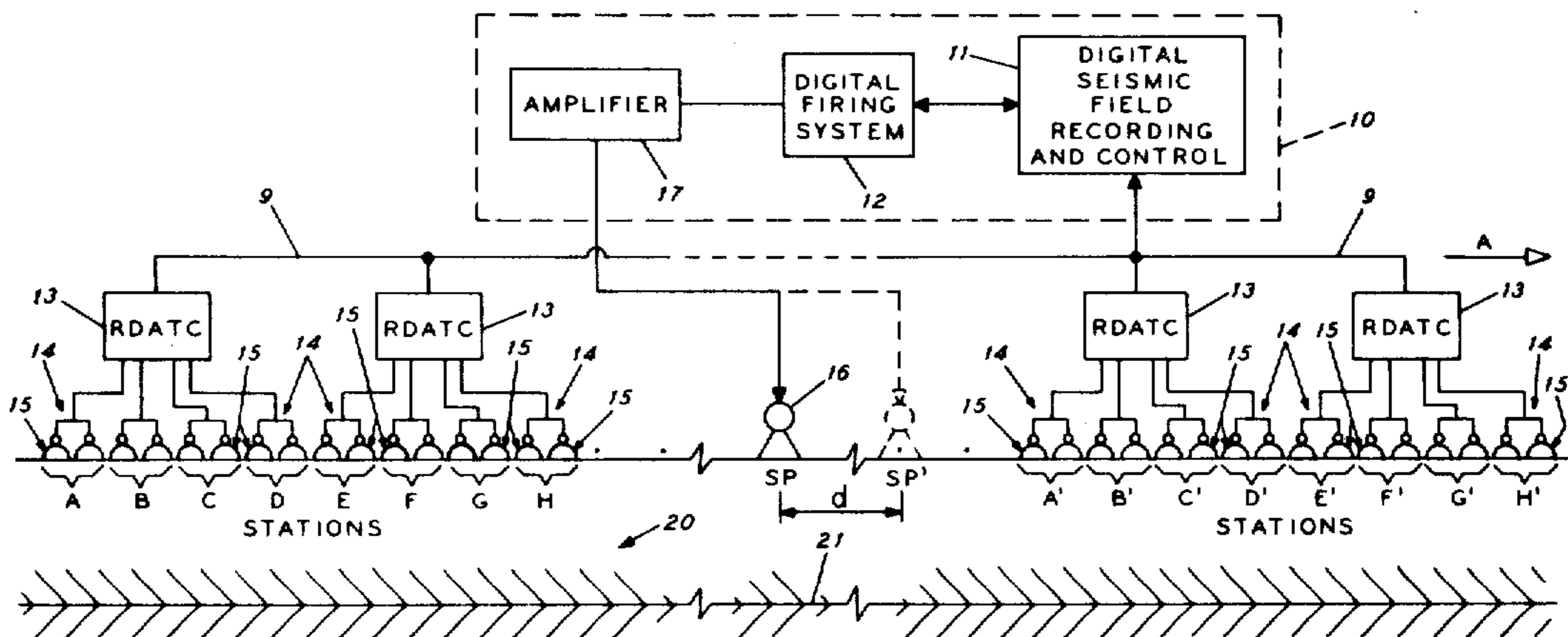
U.S. PATENT DOCUMENTS

3,212,599 10/1965 Johnsen .
 3,376,948 4/1968 Morrow .
 3,445,805 5/1969 McLoad 339/94 R
 3,725,845 4/1973 Moulin 339/49 R
 3,812,455 5/1974 Pearson .
 3,855,566 12/1974 Richardson 339/49 R
 3,866,162 2/1975 Florian .
 3,883,725 12/1975 Fort et al. .
 3,914,014 10/1975 James 339/104
 3,923,121 12/1975 Kruppenbach et al. .
 3,930,145 12/1975 Fort et al. .
 3,956,575 5/1976 Sutherland .
 3,986,008 10/1976 Fort et al. .

[57] ABSTRACT

The method and apparatus of the present invention are described in which connection (and disconnection) of a plurality of geophones associated with a digital seismic data acquisition system is greatly simplified without sacrificing flexibility as to the number of geophone flyers per station or the interval spacing per station and also without the addition of separate subcabling in the internal linkage of the flyers to the field digitizing equipment. The apparatus includes a multiple-phone flyer-jumper connected to each channel of a remote data acquisition and telemetering circuit (RDATC). Each RDATC acts in combination with a group of geophone flyers, say four, to store, amplify, filter, gain control and digitize analog data from the flyers and then telemeter the data to recording circuitry in the field truck. In accordance with the present invention, each jumper-flyer includes a central multi-conductor cable segment terminating at each of its ends in the central leg of a multi-armed connector. A plurality of series/parallel connected geophones, say 9 in number are used in combination with the central segment. At the end of the arms of each multi-armed connector pass another conductor cable segment (similar to the central segment, but called the "branch cable segment") in which only two of the cables are actively connected to the selected conductor pairs of the central segment. At the other end of each branch cable is a two pin-two receptacle hermaphroditic connector.

14 Claims, 8 Drawing Figures



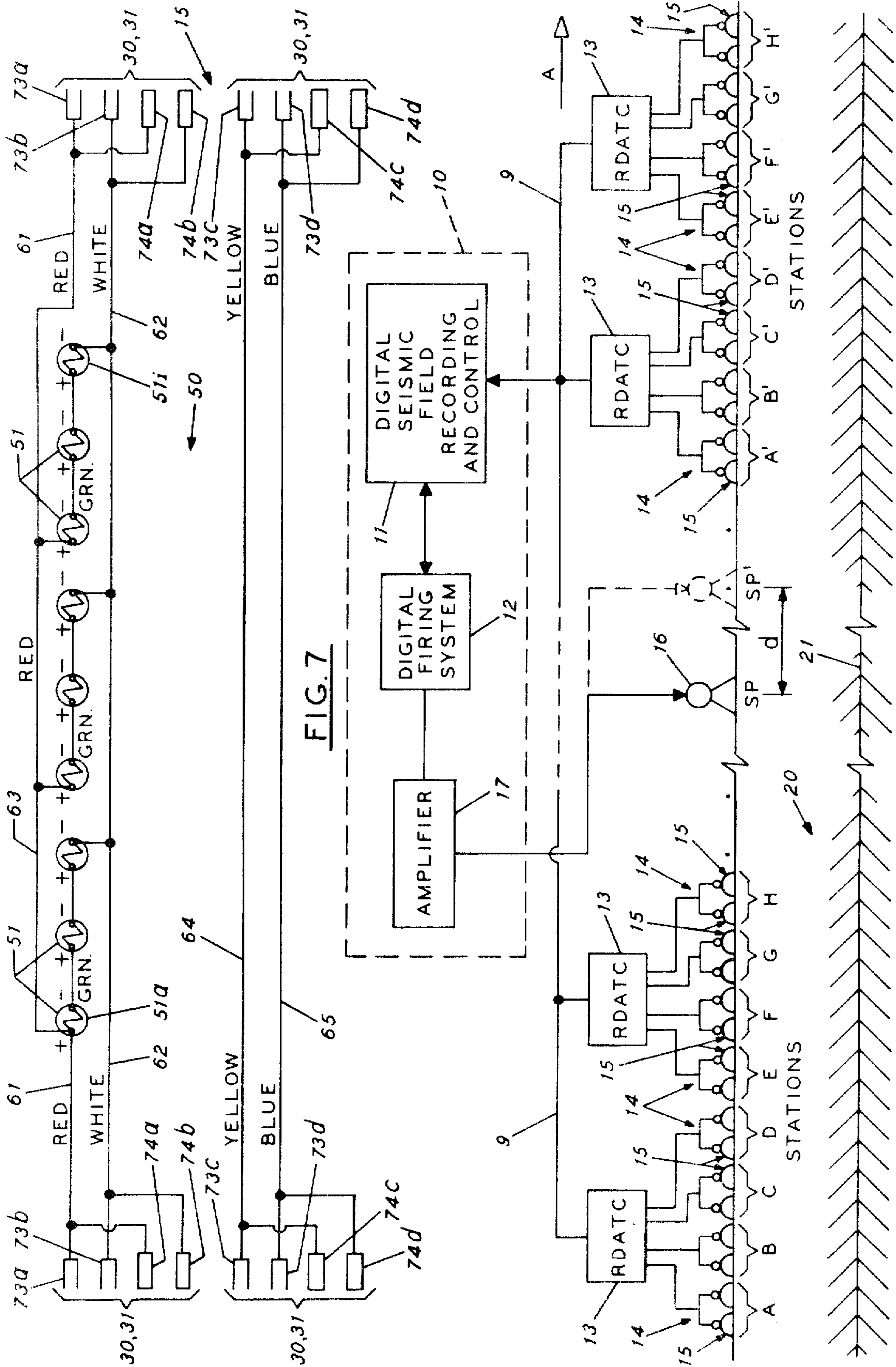


FIG. 7

FIG. 1

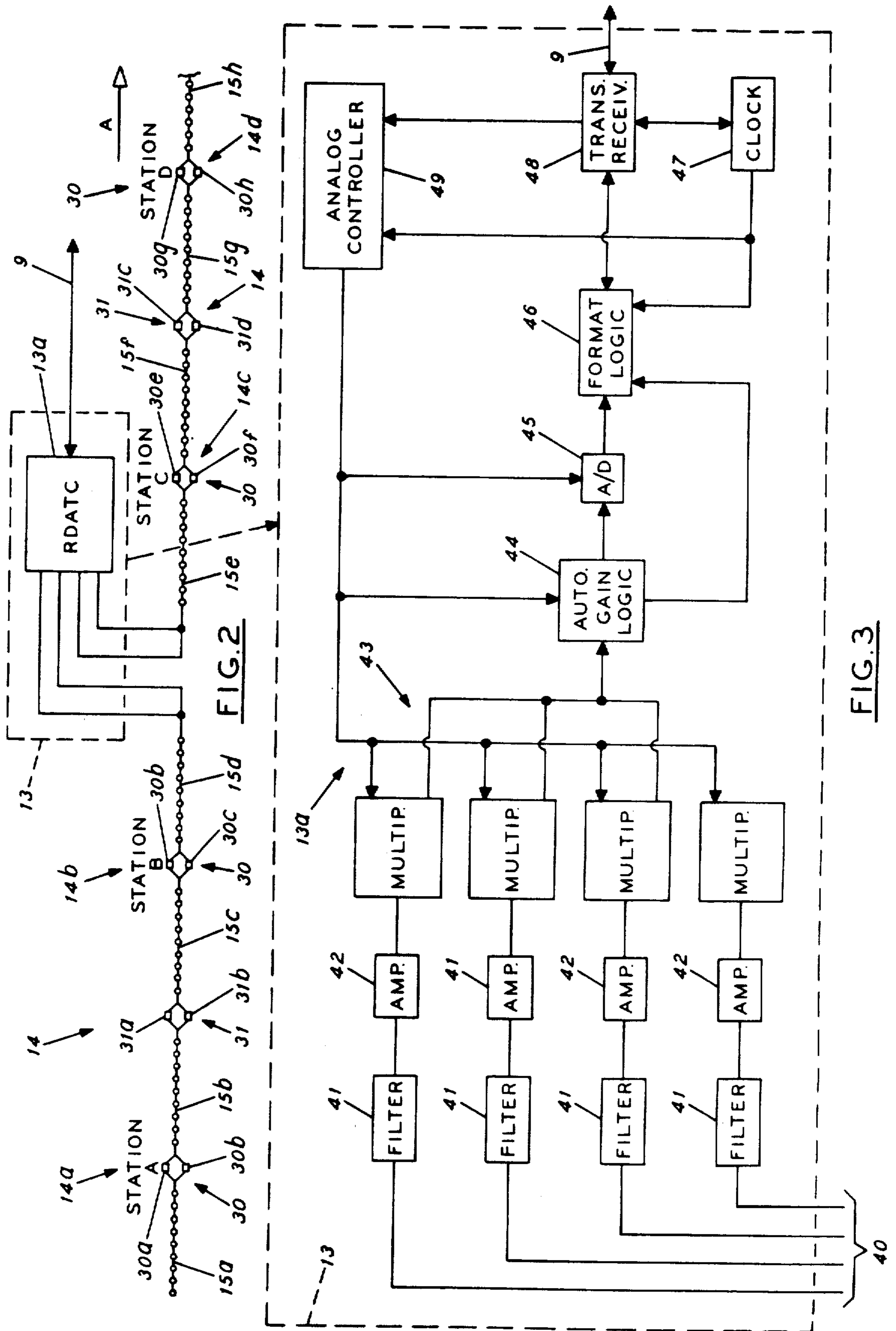


FIG. 3

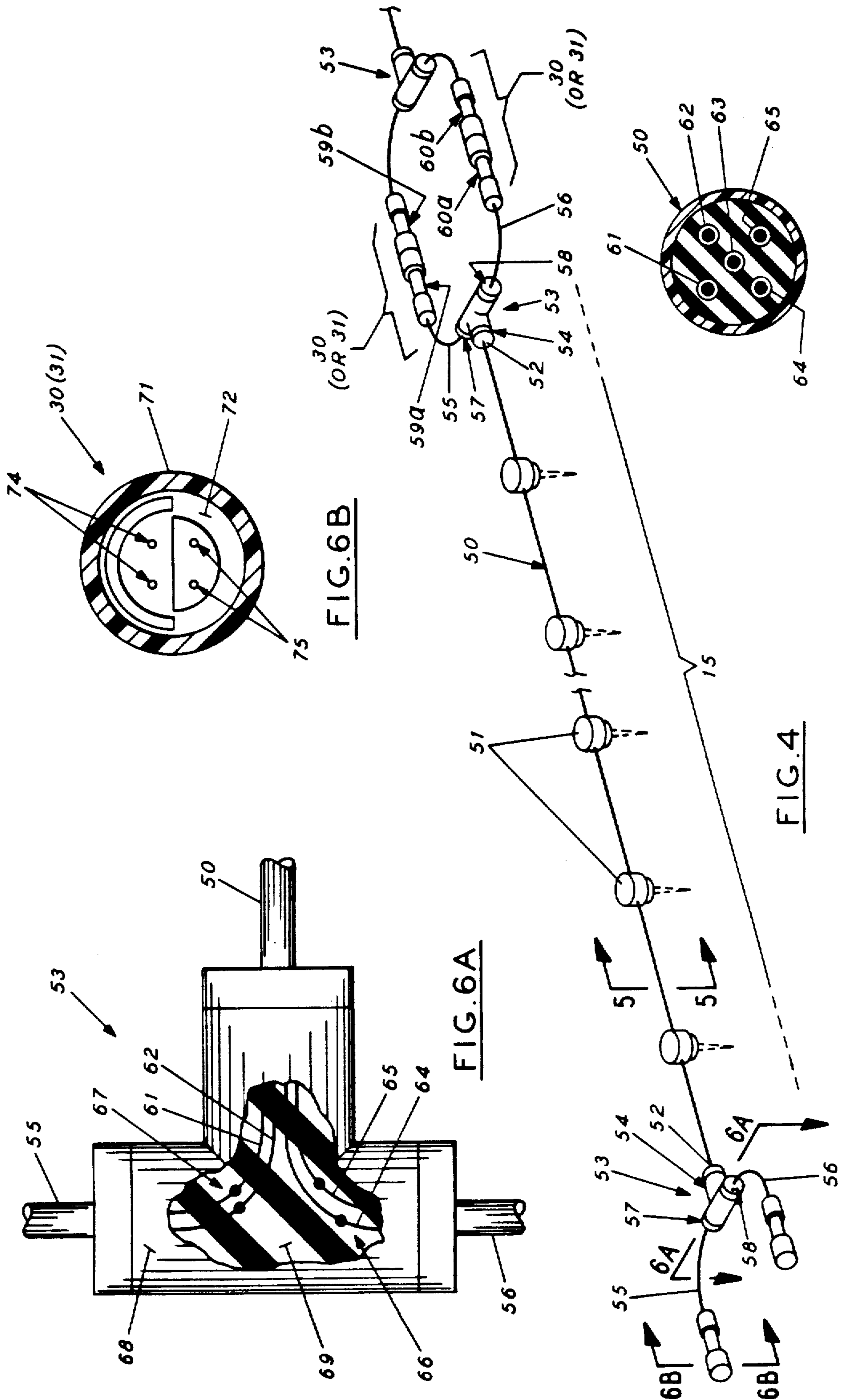


FIG. 6B

FIG. 6A

FIG. 4

FIG. 5

COMBINATION FLYER-JUMPER ASSOCIATED WITH A GEOPHYSICAL DATA ACQUISITION SYSTEM AND METHOD OF MANUFACTURE

Matter enclosed in heavy brackets [] appears in the original patent but forms no part of this reissue specification; matter printed in italics indicates the additions made by reissue.

This is a continuation of application Ser. No. 700,689, filed June 28, 1976.

RELATED APPLICATION AND PATENTS INCORPORATED HEREIN BY REFERENCE

"Method of Providing a Series of Flyer Groups Connected to a Remote Digital Acquisition and Telemetry Circuit (RDATC) of a Field Seismic Data Acquisition System," R. F. Carter, filed July 27, 1977.

FIELD OF THE INVENTION

In one aspect, this invention is directed to a combination flyer-jumper for field use with remote digital acquisition and telemetering circuits (RDATC's) of more modern geophysical data acquisition systems. In another aspect, the invention relates to a method of manufacture for the aforementioned combination flyer-jumper. The flyer-jumper is capable of providing greatly simplified connection (and disconnection) of the plurality of geophones which make up each flyer in a variety of field settings, yet permit flexibility as to the number of phones per station permitted and allow changes in interval spacing per station with minimum helper mix-ups, as required.

SUMMARY OF THE INVENTION

The method and apparatus of the present invention are described in which connection (and disconnection) of a plurality of geophones associated with a digital seismic data acquisition system is greatly simplified without sacrificing flexibility as to the number of geophone flyers per station or the interval spacing per station and also without the addition of separate subcabling in the internal linkage of the flyers to the field digitizing equipment. The apparatus includes a multiphase flyer-jumper connected to one channel of a remote data acquisition and telemetering circuit (RDATC); the latter in turn is linked to a central control and recording station usually located in a truck. Each RDATC acts in combination with a group of geophone flyers, say four, to store, amplify, filter, gain control and digitize analog data from the flyers and then telemeter the data to recording circuitry in the field truck. In accordance with the present invention, each flyer-jumper includes a central multi-conductor cable segment of say $N+1$ conductors where N is any even positive number greater than two, such as 4, 6, etc., terminating at each of its ends in the central leg of a multi-armed connector. A plurality of series/parallel connected geophones, say 9 in number are used in combination with the central segment. At the end of the arms of each multi-armed connector pass another conductor cable segment (similar to the central segment, but called the "branch cable segment") in which only two of the cables are actively connected to the selected conductor pairs of the central segment. At the other end of each branch cable is a two pin-two receptacle hermaphroditic connector. Each connector allows either

(i) three geophone conductors of the central cable segment or (ii) the remaining conductor pair, to be flexibly connected to outside circuits including the RDATC to actively transfer data from the internally based geophones, or from more remotely located geophones located adjacent to the flyers of interest, respectively.

BACKGROUND OF THE INVENTION

In seismic exploration, generated acoustic waves are transmitted downward into the earth. At the transition zones between various types of rock strata, reflections of the acoustic waves occur; as attenuated parts of the wave are returned to the earth's surface they are detected by groups of planted geophones. Each geophone group provides a composite signal that is associated with a particular geographic station on the earth's surface. The signal can be the result of summing the outputs of any number of geophones. Usually, for ease of field use, a minimum number of geophones, say nine, are semi-permanently fastening together to form a basic field group module. It is that module that is called a "flyer" or fly. Members of the field crew transport literally hundreds of these flyers into the field. At each of the stations, a member of the crew can electrically connect two or more of the flyers together to form a single channel of output data, that data being associated with a given geographical location in a patterned alignment with neighboring stations. After the acoustic source has been activated, the composite reflected signal from each of these stations say 48, is fed to electrical circuitry for recording and processing; this is called the basic 48 channel recording technique.

Several types of geophysical data acquisition systems for accomplishing the above are now available; for example, in a conventional system, the signal of each geophone group (station responses) is fed by a pair of conductors (along with signals on neighboring pairs of conductors) to the recording truck. Because the multiplicity of pair conductors within the seismic cable may stretch for miles with at least 48 pairs not being uncommon, likelihood of breakdown can be rather high; also cable impedance is also rather high; and signal response from individual geophone groups can likewise suffer in ways not easily detected at the recording truck, distortion being an example.

In another more modern system, to overcome the overuse of ultra-long conductor pairs within the seismic cable, a series of remote data acquisition and telemetering circuits (RDATC's) are positioned along the traverse of the geophone spread; these RDATC's gather data from a limited number of geophone flyers, then store, amplify, filter, gain control and digitize the analog data to a compatible digital format; the data bits remain stored until commands release them for transmission (telemetering) back to the central recording truck. That is, since each RDATC is capable of storing the digital information interrogation and transmission to the central recording truck of that data can be in a series format. While RDATC's simplifies the recording of seismic data in a field to a substantial degree, nevertheless, in order to implement electrical connection of the multiplicity of geophone flyers to each RDATC, there may be a requirement of subcabling between both ends of the flyers and the input of the RDATC's.

Since each flyer can be relatively long, say 200 feet, the need for over 200-400 feet of subcabling per channel or 900 feet or more of subcabling per RDATC defeats one of the major field advantages of the use of

intermediate RDATE's within a field system; simplification of the field set-up which links all RDATE's and the central recording truck. Also the use of many different geophone flyers connected by subcabling can lead to foul-ups revolving around the miselectrical connection of the RDATE's and the flyers by the field crew. E.g., the use of large numbers of subcables can lead to some flyers being connected in loops to each other and not to a RDATE. While some helper mix ups are detectable at the central recording truck some are not; the ones that are, still require communication back from the truck to the jug handlers for correction prior to actual recording the seismic data. Hence, loss in crew efficiency occurs. Still yet, each RDATE include amplifiers whose response can be different dependent on input characteristics. Hence systematic handling of each input channel of data would be desirable.

OBJECT OF THE INVENTION

An object of the present invention is a provision of a novel combination flyer-jumper for use with RDATE's of a digital seismic telemetry data acquisition system and method for manufacturing same in which the combination flyer-jumper provides connection of the geophones in a greatly simplified manner without sacrificing flexibility in field set-up to generate the required seismic data or haphazardly affect RDATE response.

Further objects, features and attributes of the present invention become apparent to those skilled in the art from a detailed reading of the following descriptions of preferred embodiments of the invention to be taken in conjunction with the accompanying drawings.

DESCRIPTION OF THE DRAWINGS

FIG. 1 is a functional block diagram illustrating the systematic digital collection and recordation of seismic field data in which a combination flyer-jumper of the present invention is effectively used, such flyer-jumper being employed with like flyers in combination with a plurality of remote digital acquisition telemetering circuits (RDATE's) to pass digitized data in a series format after collection to a central recording truck;

FIG. 2 is a schematic representation of the field collection and telemetry system of FIG. 1 in which eight (8) seismic flyer-jumpers of the present invention are seen to be attached to a four-channel RDATE which in turn is connected to the central recording truck in which there is housed a digital seismic field collection and control circuit;

FIG. 3 is a block diagram of the RDATE of FIG. 2 in which elements of the RDATE are illustrated in detail;

FIG. 4 is a isometric perspective of the flyer-jumper of FIG. 2;

FIGS. 5, 6a and 6b are sections taken along lines 5-5, 6a-6a and 6b-6b respectively of the flyer-jumper of FIG. 4; and

FIG. 7 is a schematic diagram of the flyer-jumper of FIG. 4.

DETAILED DESCRIPTION OF SPECIFIC EMBODIMENTS

Attention should now be directed to FIG. 1 illustrating method and apparatus aspects of the present invention.

As shown, a digital field system is schematically indicated at 10. It is associated with a seismic data-gathering truck (not shown), the latter being movable in the direc-

tion of survey, say in the direction of arrow A. The field system 10 includes a digital field recording and control system 11 interconnected between a digital firing system 12 and a series of remote digital acquisition and telemetering circuits 13 called "RDATE's." Each RDATE 13, in turn, is connected to several geophone flyer groups 14, say at least four per RDATE, each flyer group 14 being composed of two or more geophone flyers 15. The flyer groups 14 form a geophone spread which is usually two or more miles in length.

Digital firing system 12 controls a vibrator (or 16 or dynamite or any energy source) located at the earth's surface or therebelow.

If a vibrator is used, it is preferably a hydraulic-type vibrator, such as provided in a Vibroseis system, a trademark of Continental Oil Company, and provides for the initiation of a control seismic energy signal through amplifier 17 for transference into an earth formation 20 below the RDATE's 13 and flyer groups 14, say at a source point (SP). The acoustic wave imparted into the earth's formation 20 is in accordance with the predetermined variation (amplitude versus time) of a pilot signal obtained from digital firing system 12 in a conventional manner.

After the vibrator 16 (or other energy source) has been initiated, a collection cycle occurs; during the first cycle, reflections of the seismic energy such as from discontinuity 21 are detected by the geophone spread, viz by geophone flyer groups 14 associated with geographic stations A, B, C, D, E, etc. The analogue output of each geophone flyer groups 14 (and hence stations A, B, C, D, E, etc.) is fed in turn to one of a series of RDATE's 13. Since the output of each flyer groups 14 is a single combined electrical signal, a separate channel of each RDATE 13 is used to receive the data.

Within the RDATE 13, each channel of data undergoes a series of operations, including digitization, formatization and storage until the time is ripe for the bits of information to be transmitted (telemetered) back to the recording truck, i.e. to control system 11. Since the data from all RDATE's 13 is storable, the information can be fed—on command—say along a single two-conductor cable 9 in a series format to the digital field recording and control system 11 where finalized recording on magnetic tape occurs. Of course, instead of cable 9, other means could be used to transfer the data from each RDATE to the recording and control system 11, say via a radio link, if desired.

After the vibrator 16 (or other source) has operated at source point (SP), the vibrator 16 as well as portions of the geophone spread, i.e., flyer groups 14 associated with say station A may be displaced in new positions in the direction of arrow A.

Assume the vibrator 16 is located in new source point (SP') displaced in the direction of arrow A an inline distance (d) from its previous locations (SP). The geophone spread can be advanced the same inline distance (d), say where d is equal to the total length of a flyer group that comprise a given station. At that time, a new collection cycle begins in the manner previously described.

Of course, the geophone spread of FIG. 1 can comprise a great number of geophone flyer groups 14 depending inter alia, on the number of active RDATE's that are used in the field as well as on the sampling rate used at each RDATE. Since the channel capacities of the RDATE's is additive, as many as 384 channels of information can be recorded at the digital field record-

ing and control system 11. But conventionally about 28 RDATE's are used in one field arrangement; assuming a sampling rate of roughly 4 milliseconds allows about 112 channels of data to be easily processable; but only about 96 are selected for seismic recording; the remainder, about 16 channels are usually used for documentary purposes.

For 48 channel recording, the number of RDATE's required is proportionately lower as is the length of the spread, viz, 14 RDATE's at a sampling rate of 4 milliseconds provide 56 channels of data, with 8 such channels being used for documentation of the operation. If each station comprising geophone flyer group 14 is composed of two flyers 15 of 200 feet length each, then the spread length per collection cycle would be about two and one-half miles. Using roll along techniques, as previously mentioned, the "break up" of seismic flyers associated with a particular station can occur electrically so as to allow the spread to be moved in the direction of the arrow A. Hence how effectively the flyer 15 can be connected (and disconnected) is important to efficient field operations.

FIG. 2 illustrates flyer groups 14 in more detail, and in particular, in connection with stations A, B, C and D and RDATE 13a.

As shown, station A is seen to be associated with flyer group 14a viz, flyers 15a and 15b. Similarly, station B is associated with the flyer group 14b composed of flyer pair 15c and 15d; while station C is associated with flyer group 14c comprising flyers 15c and 15f. Finally, station D is associated with flyer group 14d consisting of flyer pair 15g and 15h.

Flyers of each pair, i.e. flyers 15a, 15b; . . . 15g, 15h are electrically joined at a series of central connectors 30 between them; i.e. each of the connectors 30 includes separate pairs of connectors 30a, 30b, 30c, 30d, 30e, 30f, 30g and 30h formed at the point of electrical connection of each of the flyer pairs. Note also that each central connector 30 is coincidentally located with the composite geographical position associated with each respective station A, B, C, D, E . . . etc., depicted in FIG. 2.

Additionally, between each adjacent pairs of stations, i.e. between stations A, B and C, D is a second series of electrical connectors 31 for the flyers, viz, paired connectors 31a, 31b and 31c, 31d.

Although mechanically, connectors 30 and 31 are similar, electrically each is independent of the other. That is to say, the main function of connector 30 is to sum the electrical signal output of each flyer pair of each geophone group 14a, 14b . . . 14d of FIG. 2, while the other connectors 31 main function is to isolate the signal outputs from adjacent flyer groups but still allows the output signal from the more remote flyer groups i.e. flyer groups 14a and 14d to gain entry to the more near flyer groups 14b and 14c, respectively for eventually feeding to the RDATE 13a.

FIG. 3 illustrates RDATE 13a in still more detail.

As shown, RDATE 13a includes a series of input channels 40. Each of the channel 40 discretely connects to an output of flyer groups 14a, 14b . . . 14d. The signal output from the above-mentioned flyer groups first passes from a channel 40 through filter 41, amplifier 42 to multiplexer network 43. Within the multiplexer network 43, the seismic data received at each flyer groups almost instantaneously is multiplexed and passes through gain logic circuit 44 to A/D convertor 45. The function of the former is to make sure the data at A/D convertor 45 is within its processing capability. Within

the A/D converter 45, the analogue information is converted to a digital value after which it passes to format logic circuit 46.

Note that format logic circuit 46 is controlled through a master clock circuit 47. The latter receives a control signal from the digital seismic recording and control system 11 of FIG. 1; such signal passes through transmit/receive circuit 48 to the circuit 47 to either start/stop operations as well as pace the operations of the associated circuits. In regard to the latter, note that clock circuit 47 is also associated with operation of analogue control circuit 49 connected to not only A/D convertor 45 but also to gain logic circuit 44 and multiplexer network 43. In this way, data passing through multiplexer network 43, gain logic circuit 44 and A/D convertor 45 does so on a controlled pace basis so that the data length at format logic circuit 46 is correct.

The format logic circuit 46 includes a series of registers, not shown. Within these registers, the seismic information associated with each of the stations A, B . . . D is stored. But such data is subject to being called—on command—to the digital recording and control system 11 of FIG. 1, as previously mentioned. All such signals are exact multiples of the signals at clock circuit 47. So read-out of the data within format logic circuit 46 is accomplished at specific intervals of time that are exact multiples of the clock pulse, once a start/send signal has been received at the RDATE 13a.

Note in FIG. 3 that the combination output/input of transmit/receive circuit 48 is the single two-conductor cable 9 of FIGS. 1 and 2. Each flyer group 14 comprising the flyer groups 14a, 14b, 14c and 14d, must be properly connected in both mechanical and electrical senses to insure proper flyer and system operation. Hence mechanical and electrical construction of each flyer 15 is of importance.

FIG. 4 illustrates the mechanical and electrical aspects of the combination flyer-jumper 15 of the present invention in detail.

As shown, each flyer-jumper 15 includes a central cable segment 50 which electrically connect to selected number of geophones 51, which as previously mentioned is usually nine (9) in number. At end 52 of the cable segment 50 is a T-junction 53. The mechanical construction of the T-junction 53 is clear: it has a T-junction housing formed of plastic material for protection of separate soldered joints (not shown) therewithin from the outside environment. It includes a base leg 54 into which the control cable segment 50 projects for juncture with branch cable segments 55 and 56 which enter through diametrically opposed arms 57 and 58, respectively.

At the ends of the branch cable segments 55 and 56 are half-connectors 59a, 60a which engage like constructed pairs 59b, 60b (at least at one end) to form the connectors 30 (or 31) to connect the flyers 15 to outside circuits or to each other when paralleling flyers. Of primary importance of course is the signal output provided by the geophones 51 connected within the cable segment 50. That signal should be maximized, if possible, and the electrical connection of the geophone 51 within the central segment 50 may be of interest.

FIGS. 5 and 7 illustrate the electrical connection of geophones of a flyer 15. In this regard note that the central segment 50 includes five conductors divided into two separate sets:

Group I includes conductors 61, 62 and 63 for connection of the geophones 51 while Group II includes

conductors 64, 65 which are used to conduct data from the adjacent flyer group to one of the channels of the RDATC 13 of FIG. 1 as explained in more detail below.

Returning to the conductors 61, 62 and 63, note that purpose of the conductors is to provide a signal output of maximum amplitude from the geophones 51. For this purpose the geophones 51 are connected in a rather unique way: three sets of geophones are first formed as indicated in FIG. 7, these sets being connected in parallel; but within each group are formed of three separate geophones in series with each other. Hence there is a need to have at least the 61, 62 and 63 conductors within the central segment 50, although it should be noted that beyond the lead and lag geophones 51(a) and 51(i), respectively, only two conductors 61 and 62 are "active" in conduction of the signal generated by the geophones 51(a) . . . 51(i), to outside circuits through the T-junction terminals 53 and the outside connectors 30, 31 of FIGS. 2 and 4.

FIGS. 6a and 6b illustrate the T-terminal 53 and connectors 30 (or 31) in still more detail.

As shown in FIG. 6a, four separate soldered joints are formed within T-connector 53; one pair of joints 66 connects branch cabling segment 56 to the conductors 64 and 65; the other pair of joints 67 connects the "active" conductors 61 and 62 internally associated with the geophones 51(a) . . . 51(i) to the branch cabling segment 55. Since the T-junction connector 53 includes both a hard plastic exterior 68 and a pliable rubber installation interior housing 69, the pairs of joints 66 and 67 are protected from external damage.

As shown in FIG. 4, a far end of the branch cable segments 55 and 56 terminate in hermaphroditic connector pairs 30 (or 31) of the non-polarized type. Note that the connectors 30 (or 31) are the same electrically and almost mechanically with respect to each other, except for color; the housings of half-connector pair 59a, 59b, for example, associated with the "active" conductors 61, 62 to form a connector pair 30 are colored alike (orange); the housings of half-connector pair 60a, 60b for by-passing data on conductors 64, 65, are likewise colored alike, say white. But when the half-connector pairs form a connector pair 31, each of the latter is bi-colored ($\frac{1}{2}$ orange- $\frac{1}{2}$ white).

Note that each of the half-connector pairs 59a, 59b, 60a and 60b of FIG. 4 has a common construction as shown in FIG. 6b. Each includes a permanent housing 71, an insulated base 72, female receptacles 73, and male prongs 74. The latter elements are connected to conductors 61, 62 or 64, 65 in the manner previously mentioned with reference to FIG. 7. But since there is a formed male-female combination of connecting elements, i.e. electrically connected in parallel, the above conductors 61, 62, 64 or 65 can be easily connected in separate operating modes. That is, e.g., in FIG. 7, conductor 61 can be connected via tube 73a or prong 74a; conductor 62 can be connected via tube 73b or prong 74b; conductor 64 can be connected via tube 73c or prong 74c; and finally, conductor 65 can be connected via tube 73d or prong 74d. The result: each connector 30, 31 has greater flexibility as to its manner of connection yet mix ups in field operation are avoided.

For example, returning to FIG. 2, station A relates to the employment of flyers 15a and 15b which combine the signals of their geophones into a single output. For such operation, the connector 30a is electrically associated with the separate flyers 15a and 15b. Since the connector 30a always relates to combining of geophone

signals, the housings of the connector 30a are of a like color, say orange, as shown in FIG. 7. (Of course, the remaining connector 30b carries no signal and need not be connected but for purposes of avoiding crew error, they always are.) In that way, the output of the flyers 15a and 15b, of the group 14a would be combined so that a summed signal response would appear at connector 31a mid-way between stations A and B. Although mechanically connector 31a looks just like connector 30a, it has a bi-colored arrangement in its connected arrangement; i.e. one housing of each connector pair, is one color (orange) and the other a different color (white). The remaining connector 31b has a similar color designation, since it is also associated with the by-pass mode of operation, i.e. with the conductors 64, 65 of FIG. 6a. Thus, the output of flyer groups 14a, i.e. flyers 15a and 15b, can be fed through the more -near flyer group 14b eventually to RDATC 13a. Of course, a like pattern of connection occurs between and among flyer groups 14c and 14d in the like manner previously described.

It should be further realized that if each RDATC had six channels rather than four, that the number of conductors comprising the central cable segment 50 of FIG. 4 could be increased, that is say to a value of seven conductors; also instead of two bi-color terminals there would be three color coded connector pairs 30 (or 31) at each end of each flyer 15 of FIG. 2. But of course, three separate seismic receiving stations, say stations A, B, C, and D, E and F would be positioned on each side of each RDATC would be used, the criteria being that the same color code combination would be used to combine signal output or to pass data on-through more near flyer groups.

It should be also evident that the cable segment 50 of FIG. 4 as well branch cable segments 55 and 56 can be composed of 5-conductors. Of course, each conductor would have an outer sheath color coded in accordance with a set form, such as shown in FIG. 7; hence assembly and interconnection of the geophones and connectors 30, 31 as well as T-connector terminals 53 would be simplified with little likelihood of mix up. And even though the branch cabling segments 55, 56 require only two conductors, a 5-conductor cable is often used to simplify purchasing and assembly requirements.

MANUFACTURING TECHNIQUE

In manufacturing the flyer-jumper 15 of the present invention, FIGS. 3 and 7 may be relevant.

Central cable segment 50 of FIGS. 4 and 7 as well as the branch segments 55, 56 are formed of 5-conductor cable in which the conductor sheaths are color coded as follows: red I, white, red II, yellow, and blue. Since each of the conductors carry its unique color code throughout the flyer, it is quite easy to cut portions to form the individual connector links, e.g. between the geophones, and wire them correctly within the central segment 50; the individual connector links are about 20 feet and are wired at their ends as shown in FIG. 7. At each end of the segment 50, the T-junction connector 53 is provided within which branch cable segments 55, 56 are correctly connected as previously described. Then the hermaphroditic half-connectors 59a, 59b, 60a and 60b are correctly connected at the ends of the branch segments 55, 56 so that (i) "active" conductors have a like color code (orange) and (ii) "by-pass" conductors also have a like and common color code to themselves through the system but not to (i), above, say white. The

half-connectors have been internally soldered so that a pair of male-female elements are connected in parallel. Such an arrangement allows either end of the flyer-jumper 15 of the present invention to be connected to any other end to form connector pairs 30, 31 so as to provide straight through connection or provide for signal summation, as required.

All specific embodiments of the invention have been described in detail, and it should be understood that the invention is not limited thereto as many variations will be readily apparent to those skilled in the art. E.g. assume each RDATEC accepts a plurality of channels of information. Each central cable segment 50 would contain $N+1$ conductors, where N is any even positive number greater than two, such as 4, 6, etc., and terminal 53 at each end of the central segment 50 would contain $N/2$ output arms (but only a single input leg); a similar number of branch cable segments, i.e. $N/2$ would exit from each terminal 53 and connect with a like number of connectors 30, 31 having $N/2$ -color codes per end. Thus, the invention is to be given the broadest possible interpretation within the terms of the following claims.

What is claimed is:

1. A geophone flyer-jumper for use in conjunction with a remote digital acquisition and telemetering circuit (RDATEC) equipped to receive several channels of information simultaneously, comprising:

a central geophone cable segment including a plurality of conductors and a multiplicity of interconnected geophones therein connected to said plurality of conductors;

a plurality of $N/2$ branch cable segments connected at each end of certain of said plurality of conductors of said central cable segment; where N is any positive even number greater than two; and

a series of $N/2$ hermaphroditic connectors connected to said plurality of $N/2$ branch cable segments, each of said hermaphroditic connectors having an outer housing but matched at the opposite end to a like identification coded and similarly electrically connected connector, whereby at least one paired, like coded set of connectors is electrically connected to said geophones and at least another pair of like coded set of connectors is electrically connected to certain of said plurality of conductors but electrically isolated from said geophones, said at least another set of connectors having a like identification code that is distinct from that of said one set of connectors.

2. The flyer-jumper of claim 1 in which N is equal to 4.

3. The flyer-jumper of claim 1 in which said plurality of conductors of said central cable segment terminate at each end within a multi-armed terminal and are joined to conductors within said $N/2$ branch cable segments extending from and connected to said series $N/2$ hermaphroditic connectors.

4. The flyer-jumper of claim 1 in which N is equal to 6.

5. In the manufacture of the flyer-jumper for use in conjunction with a remote digital acquisition unit equipped to receive several channels of information simultaneously, the steps of:

(a) cutting a conductor cable having a plurality of conductors into a series of cut segments;

(b) electrically connecting said series of cut segments between geophones of a set of geophones of pre-

lected number to form a central cable/geophone segment;

(c) connecting $N/2$ branch cable segments to certain of said plurality of conductors of said central segment at $N/2$ electrical joints; where N is any even, positive number greater than two; and

(d) connecting a nonpolarized hermaphroditic connector to each of said $N/2$ branch cable segments to form said flyer-jumper.

6. The method of claim 5 in which step (d) is further characterized by said hermaphroditic connector having an outer housing of a color selected from $N/2$ possible color codes.

7. The method of claim 6 in which said connector of step (d) is electrically connected at an opposite end to a like-colored connector whereby at least one paired like color-coded set of connectors is electrically connected to said geophones and at least another set of like-colored set of connectors electrically connected together through selected members of said plurality of conductors but electrically isolated from said geophones.

8. The method of claim 7 in which step (d) is still further characterized by said at least another set of connectors having a color code distinct from said one set of connectors.

9. A geophone flyer-jumper for use in conjunction with a remote digital acquisition and telemetering circuit (RDATEC) equipped to receive several channels of information simultaneously, comprising:

a central geophone cable segment including a plurality of conductors and a multiplicity of interconnected geophones therein connected to certain of said plurality of conductors;

a plurality of $N/2$ branch cable segments connected to said plurality of conductors of said central cable segment; where N is any positive even number greater than two; and

a series of $N/2$ hermaphroditic connectors connected to said plurality of $N/2$ branch cable segments, each of said hermaphroditic connectors having an outer housing but matched at the opposite end to a like identification coded and similarly electrically connected connector, whereby at least one paired, like coded set of connector pins is electrically connected to said geophones and at least another pair of like coded set of connector pins is electrically connected to certain other of said plurality of conductors but electrically isolated from said geophones, said at least another set of connector pins having a like identification code that is distinct from that of said one set of connector pins.

10. The flyer-jumper of claim 9 in which N is equal to 4.

11. The flyer-jumper of claim 9 in which said plurality of conductors of said central cable segment terminate within multi-armed terminals and are joined to conductors within said $N/2$ branch cable segments extending from and connected to said series $N/2$ hermaphroditic connectors.

12. A geophone flyer-jumper for use in conjunction with a remote digital acquisition and telemetering circuit (RDATEC) equipped to receive several channels of information simultaneously, comprising:

a central geophone cable segment including a plurality of conductors and a multiplicity of interconnected geophones therein connected to certain of said plurality of conductors; and

a series of $N/2$ hermaphroditic connectors connected to said plurality of conductors each of said hermaphroditic connectors having an outer housing but matched at the opposite end to a like identification coded and

11

similarly electrically connected connector, whereby at least one paired, like coded set of connector pins is electrically connected to said geophones and at least another pair of like coded set of connector pins is electrically connected to certain other of said plurality

12

of conductors but electrically isolated from said geophones.

13. The flyer-jumper of claim 12 in which N is equal to 4.

14. The flyer-jumper of claim 12 in which said at least another set of connector pins has an identification code distinct from that of said one set of connector pins.

* * * * *

10

15

20

25

30

35

40

45

50

55

60

65