

US00D999999S

(12) **United States Design Patent**  
**Crawford**

(10) **Patent No.:** **US D999,999 S**

(45) **Date of Patent:** **\*\* Sep. 26, 2023**

(54) **MOUTHGUARD WITH ZIPPER COVER**

FOREIGN PATENT DOCUMENTS

(71) Applicant: **Alfatir Crawford**, Macon, NC (US)

CA 187871 \* 11/2020

(72) Inventor: **Alfatir Crawford**, Macon, NC (US)

OTHER PUBLICATIONS

(\*\*) Term: **15 Years**

Under Armour Air Lip Guard, available in Amazon.ca, date first available Jun. 5, 2019 [online], [site visited Mar. 31, 2023], Available from the internet URL: <https://www.amazon.ca/Armour-Air-Lip-Guard-BLU-OSFA/dp/B07SGH36Z2?th=1> (Year: 2019).\*  
Football Mouth Guard Lip Guard, <https://www.amazon.com/Under-Armour-Football-Mouth-Guard/dp/B07Y1SC9ZD>.  
Shock Doctor Max Airflow 2.0 Lip Guard, <https://www.als.com/shock-lip-guard-max-airflow-20/p>.

(21) Appl. No.: **29/796,291**

(22) Filed: **Jun. 23, 2021**

(51) **LOC (14) Cl.** ..... **29-02**

(52) **U.S. Cl.**  
USPC ..... **D29/108**

(58) **Field of Classification Search**  
USPC ..... D24/110.5, 176, 181, 180, 194;  
D29/100, 105, 106, 108, 122  
CPC ..... A61C 7/08; A61C 19/066; A61C 9/00;  
A61M 16/0488; A63B 71/085; A63B  
2071/088; A63B 2071/086; A63B 23/032  
See application file for complete search history.

\* cited by examiner

*Primary Examiner* — Vy N Koenig  
*Assistant Examiner* — Elizabeth Anne Glassberg

(57) **CLAIM**

The ornamental design for a mouthguard with zipper cover, as shown and described.

**DESCRIPTION**

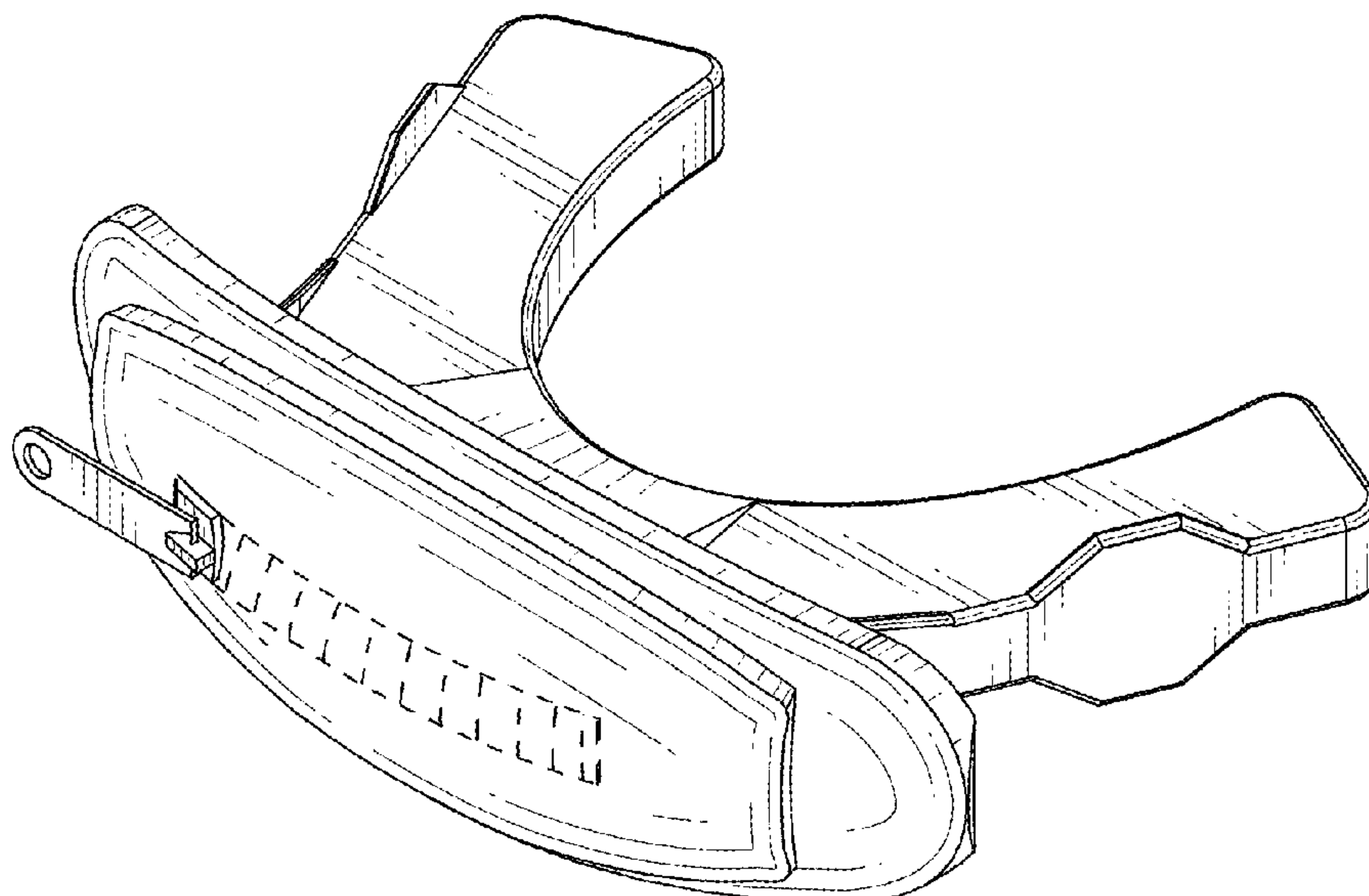
FIG. 1 is a top-front-right perspective view of a mouthguard with zipper cover, showing my new design;  
FIG. 2 is a bottom-rear-left perspective view thereof;  
FIG. 3 is a front elevational view thereof;  
FIG. 4 is a rear elevational view thereof;  
FIG. 5 is a right-side view thereof;  
FIG. 6 is a left-side view thereof;  
FIG. 7 is a top view thereof;  
FIG. 8 is a bottom view thereof;  
FIG. 9 is a top-front-right perspective view of the mouthguard with zipper cover with the zipper cover unattached; and,  
FIG. 10 is a bottom-rear-left perspective view of the mouthguard with zipper cover unattached.  
The broken lines in the figures illustrate portions of the mouthguard with zipper cover that form no part of the claimed design.

(56) **References Cited**

U.S. PATENT DOCUMENTS

D215,685 S *	10/1969	Helmer	.....	D24/176
7,293,334 B2	11/2007	Metzger		
D636,074 S *	4/2011	Levine	.....	D29/108
D644,791 S *	9/2011	Petrocelli	.....	D29/108
D650,133 S *	12/2011	Rascoe, III	.....	D29/108
8,742,555 B2	6/2014	Wen		
D727,570 S *	4/2015	Brett	.....	D29/108
D734,556 S *	7/2015	Brett	.....	D29/108
9,375,289 B1 *	6/2016	Walls	.....	A61C 7/08
D841,257 S *	2/2019	Turkbas	.....	D29/108
D869,774 S *	12/2019	Turkbas	.....	D29/108
D876,728 S *	2/2020	Evans	.....	D29/108
D885,583 S *	5/2020	Haiola	.....	D24/181
D928,966 S *	8/2021	Lehtonen	.....	D24/181
2015/0209645 A1 *	7/2015	Zents	.....	A63B 71/085
				128/861

**1 Claim, 10 Drawing Sheets**



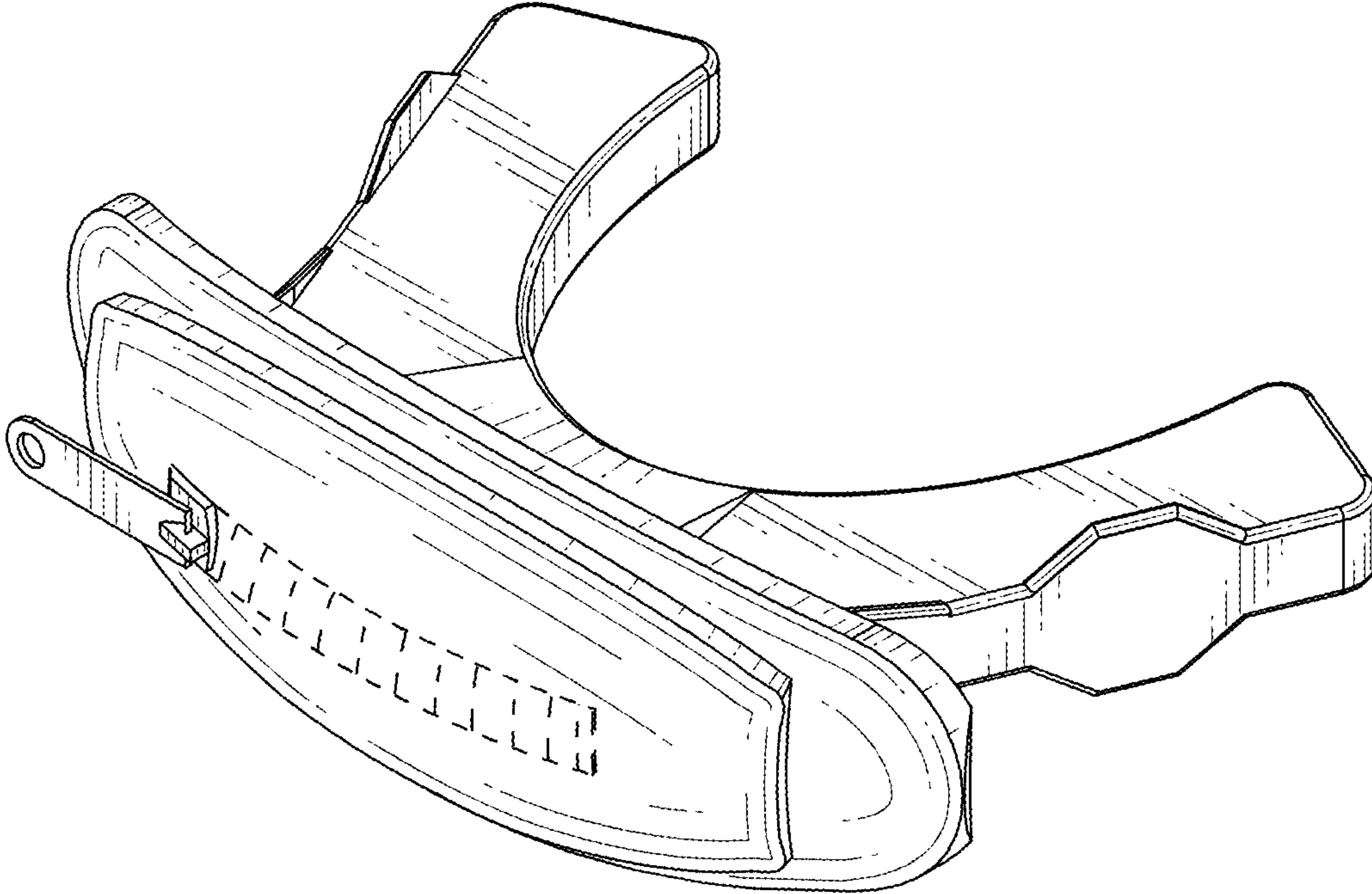


FIG. 1

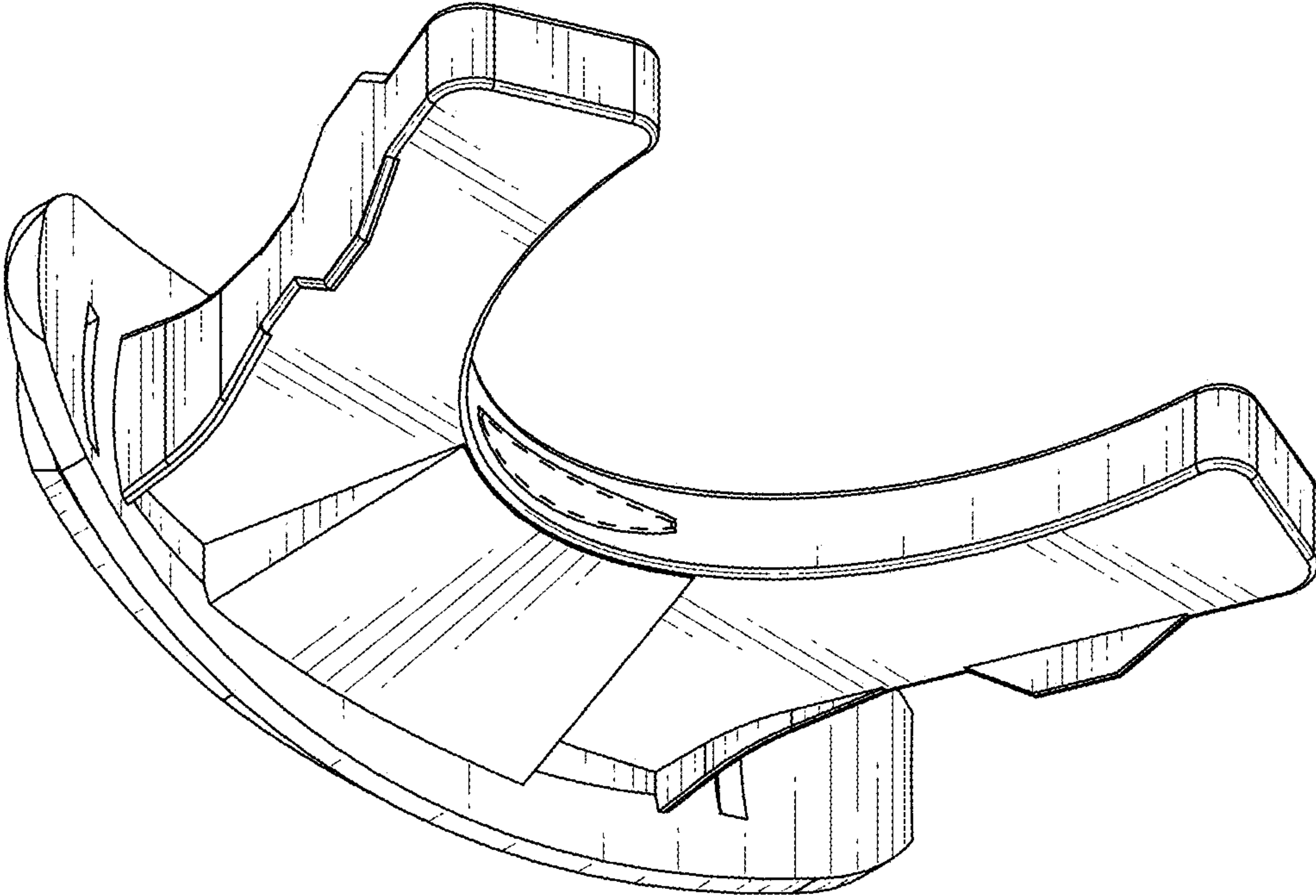


FIG. 2

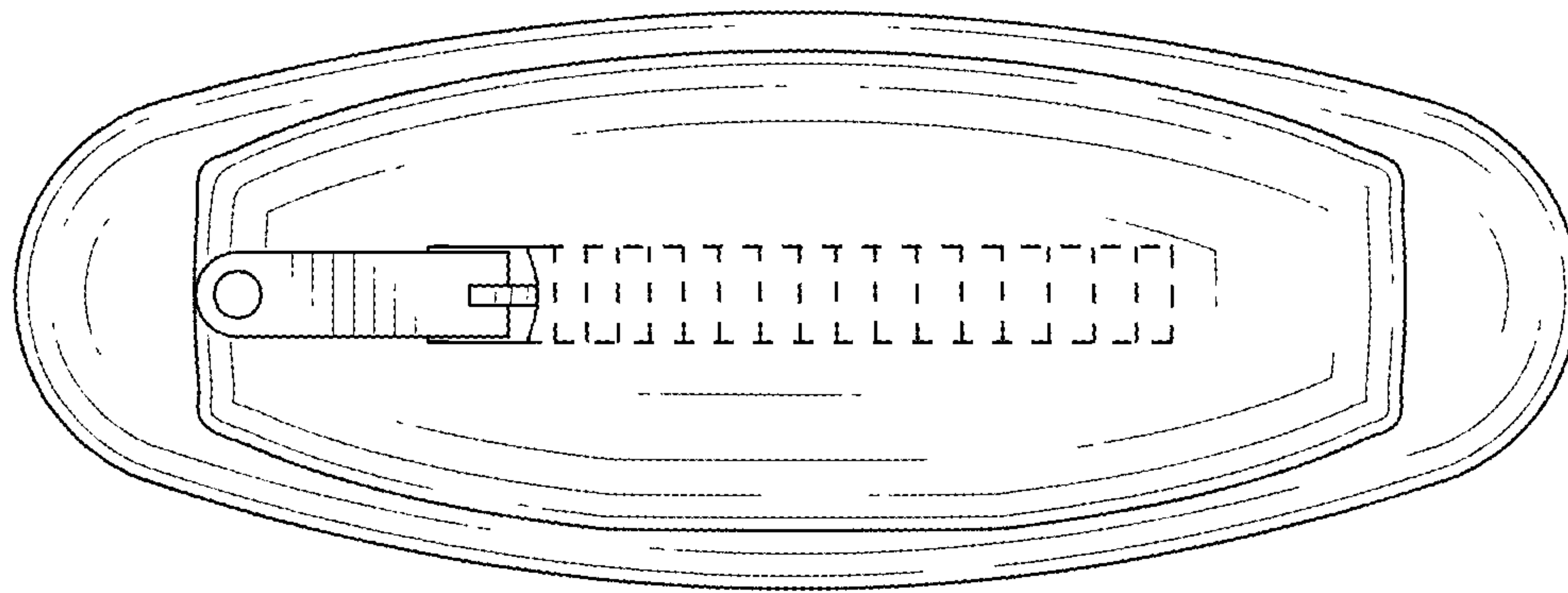


FIG. 3

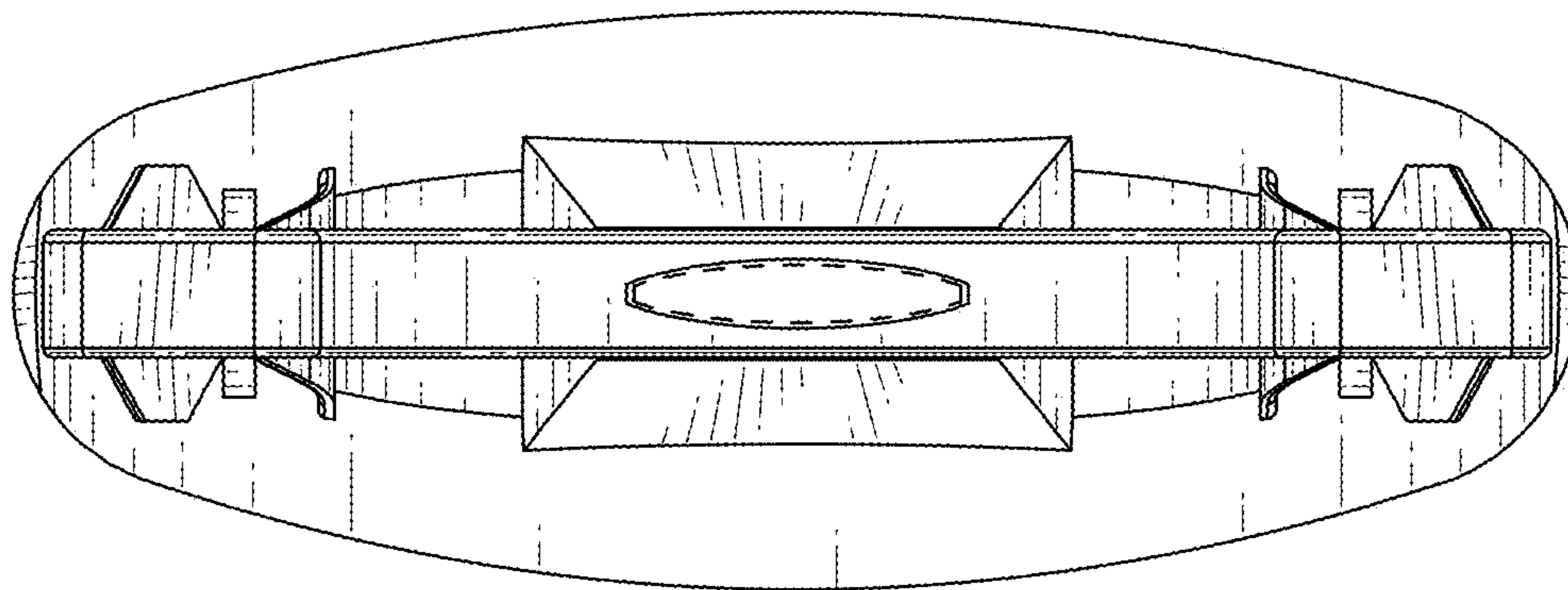


FIG. 4



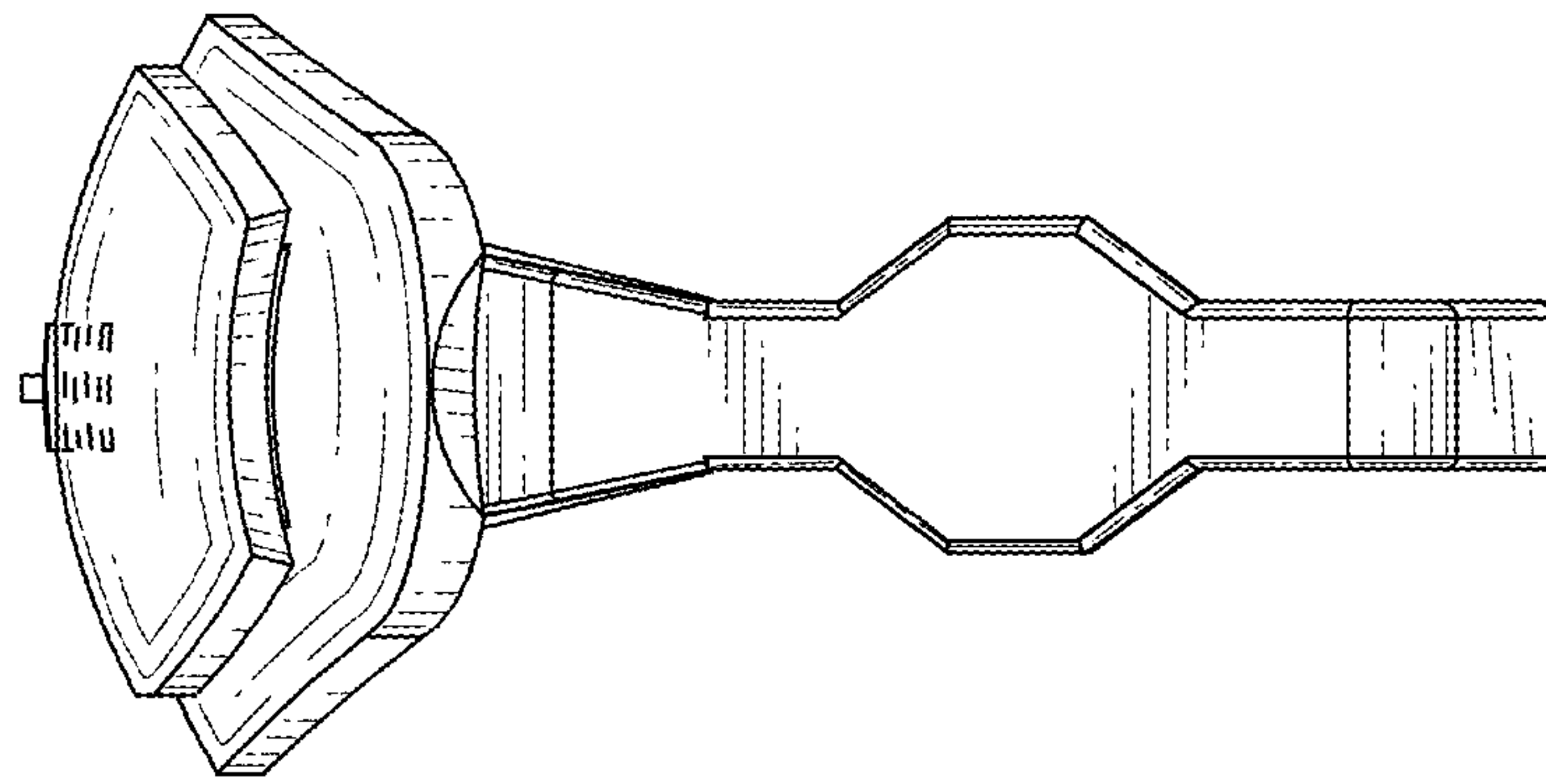


FIG. 5

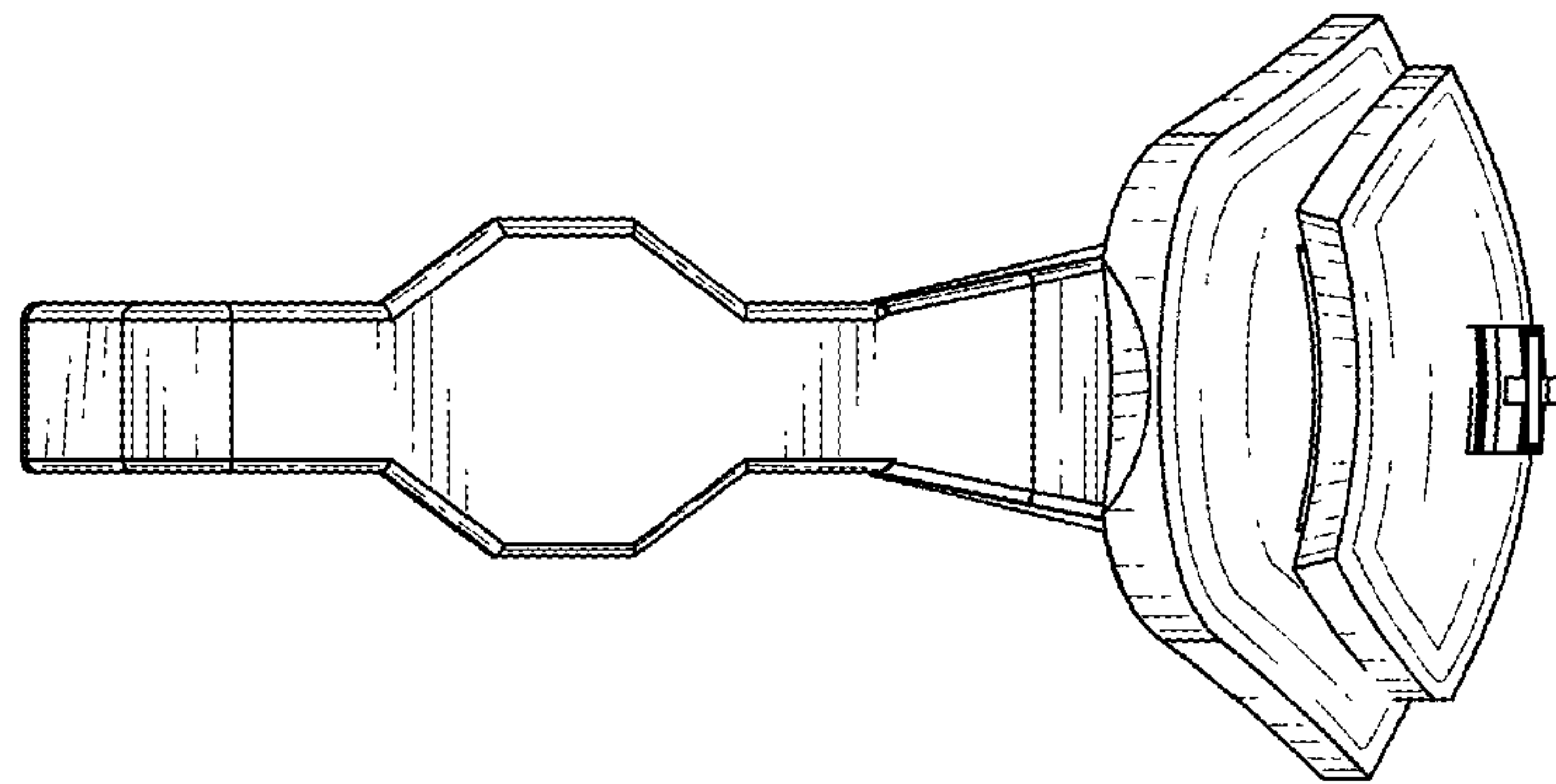


FIG. 6

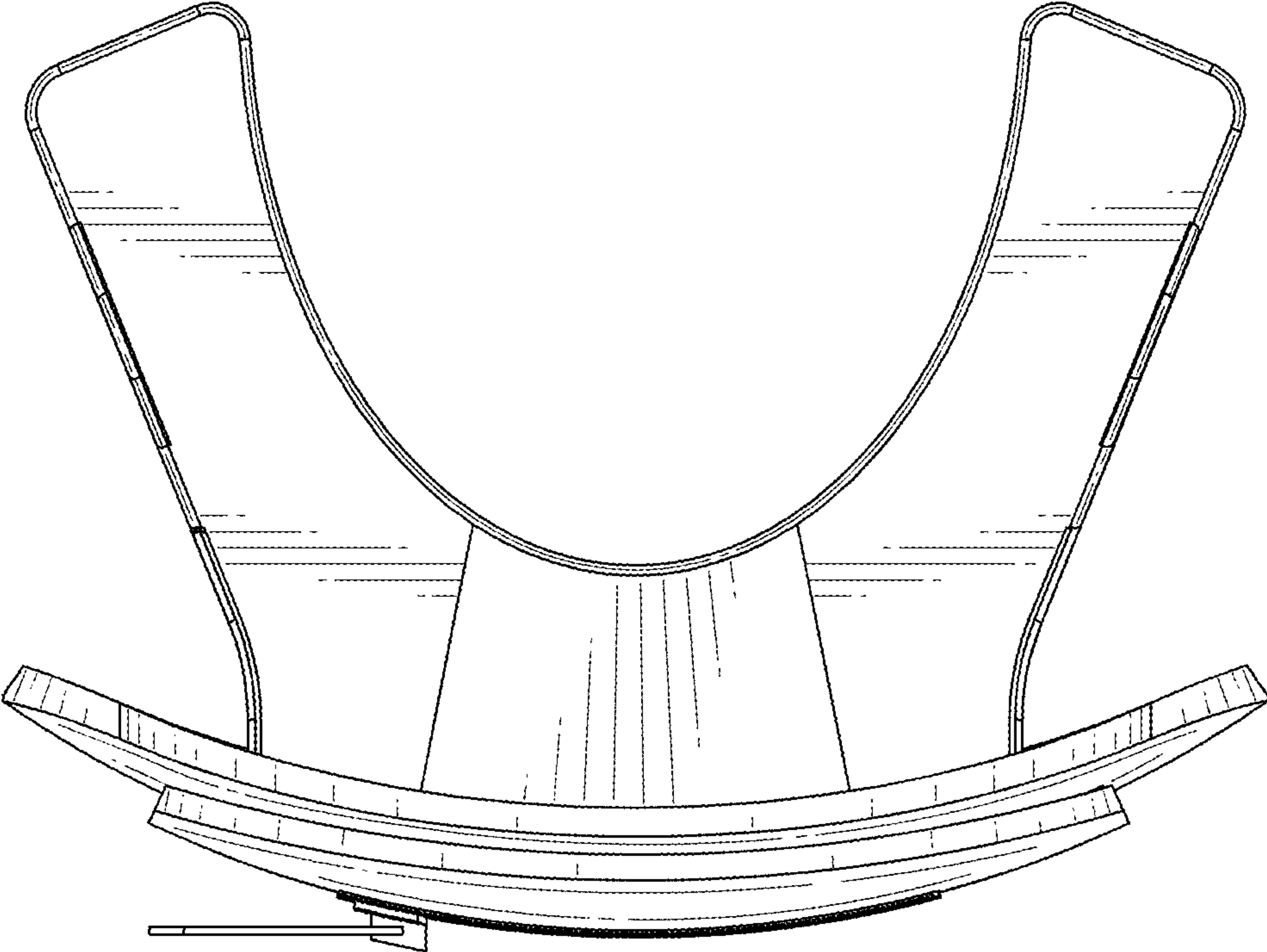


FIG. 7



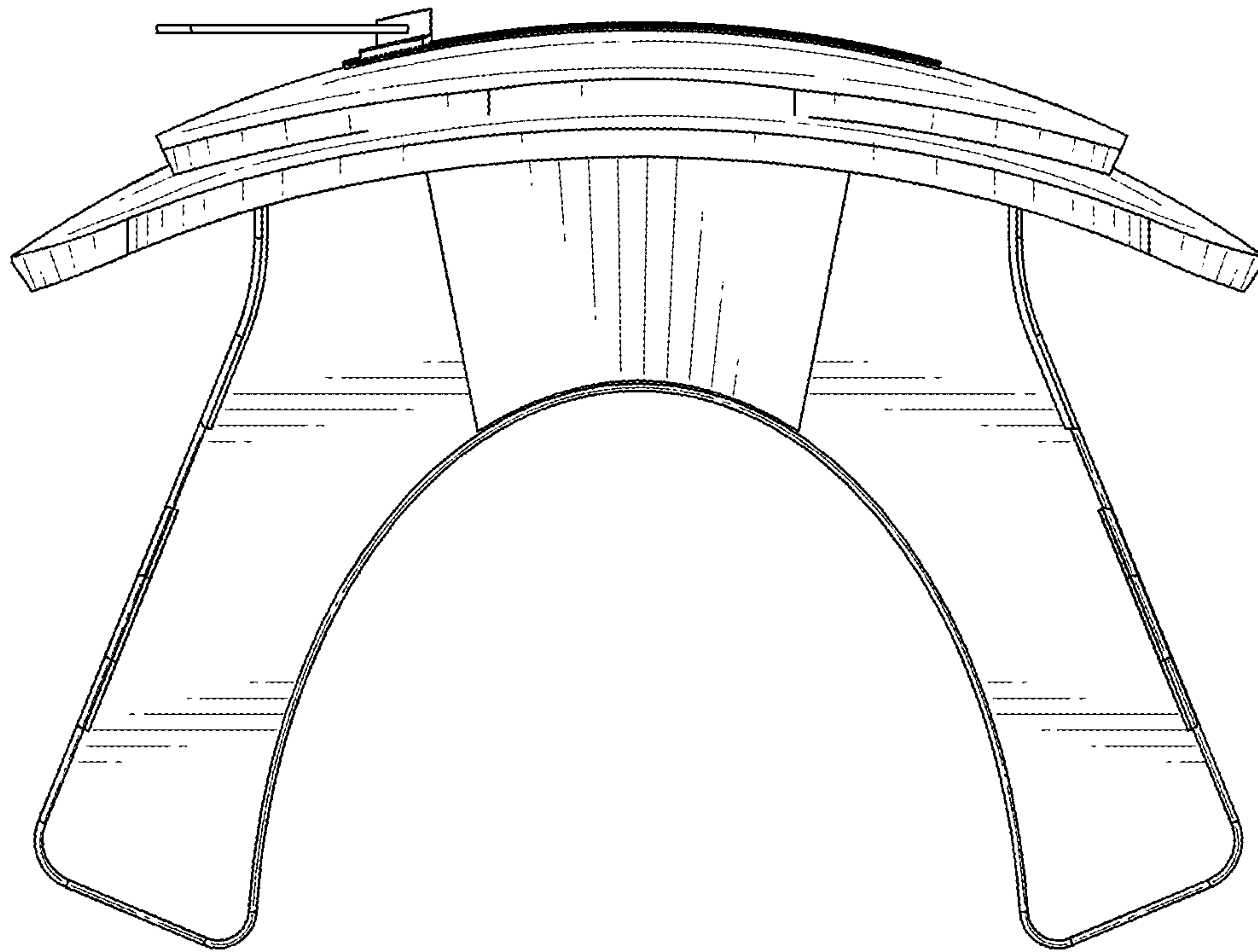


FIG. 8

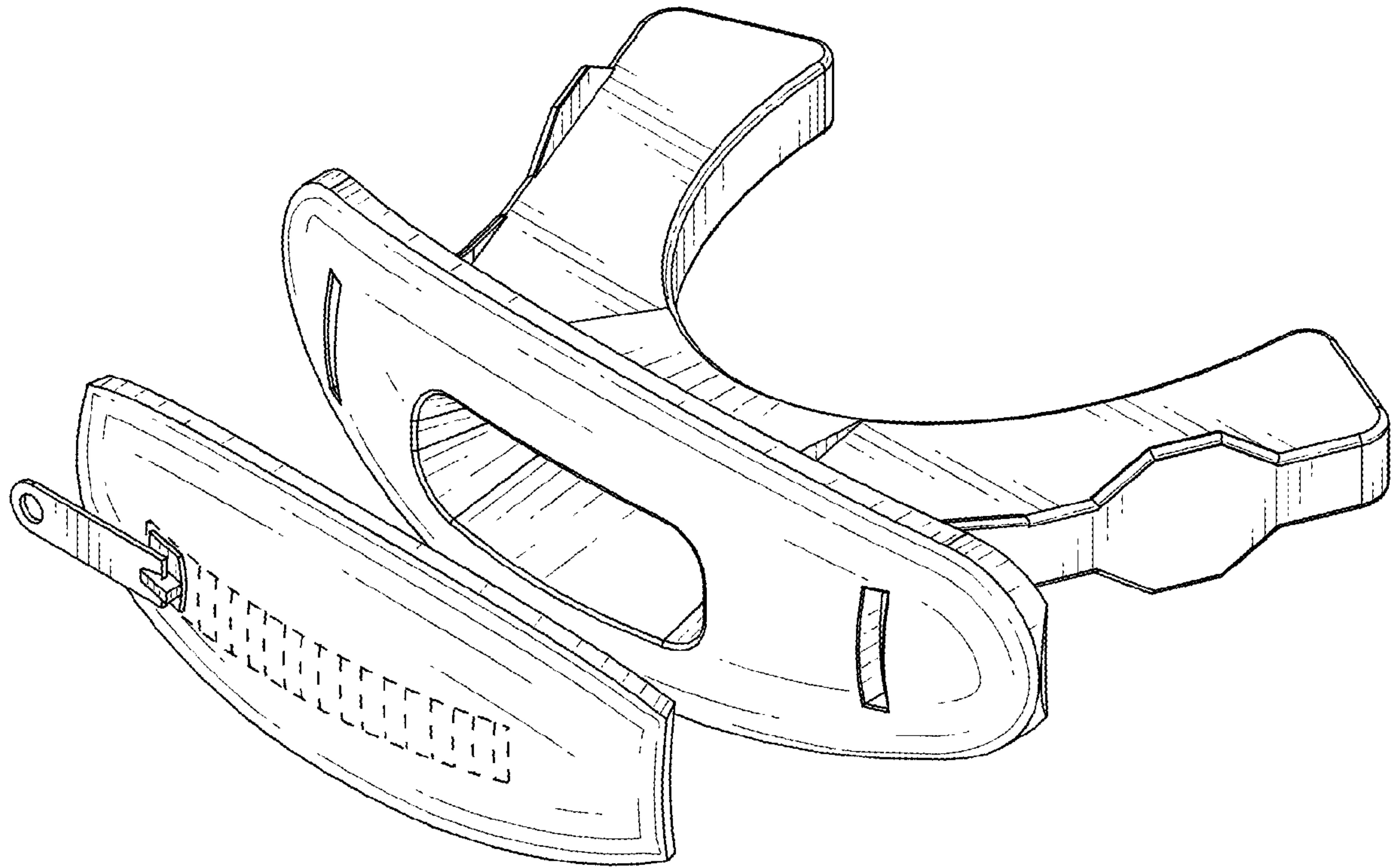


FIG. 9

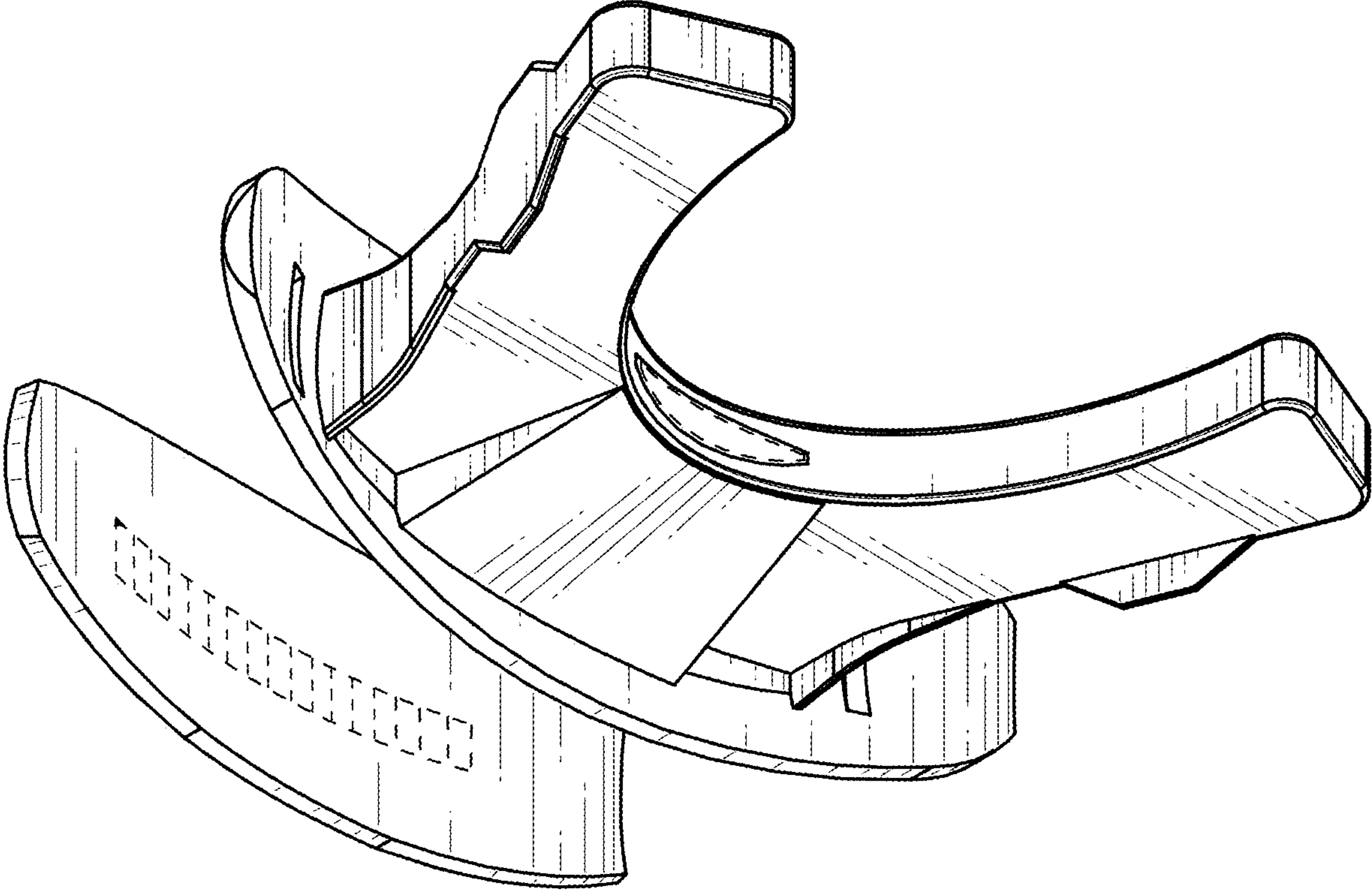


FIG. 10