

US00D999909S

(12) **United States Design Patent**
Kiev et al.

(10) **Patent No.:** **US D999,909 S**

(45) **Date of Patent:** **** Sep. 26, 2023**

(54) **CHEST TUBE INSERTION AID AND HANDLE ASSEMBLY**

(71) Applicant: **AOK Innovations, LLC**, Lexington, KY (US)

(72) Inventors: **Jon Kiev**, Lexington, KY (US); **Justen England**, Quincy, MA (US); **Chris Harris**, Cambridge, MA (US)

(73) Assignee: **AOK Innovations, LLC**, Lexington, KY (US)

(**) Term: **15 Years**

(21) Appl. No.: **29/884,222**

(22) Filed: **Feb. 8, 2023**

Related U.S. Application Data

(62) Division of application No. 29/709,207, filed on Oct. 11, 2019, now Pat. No. Des. 981,563.

(51) **LOC (14) Cl.** **24-02**

(52) **U.S. Cl.**
USPC **D24/147**

(58) **Field of Classification Search**
USPC D24/146, 147, 152, 127, 133, 141;
D8/98, 107; D19/108, 109
CPC A61B 17/32; A61B 17/32053; A61B 17/3209; A61B 17/3211; A61B 17/3213; A61B 2017/0046; A61B 2017/00464; A61B 2017/00473
See application file for complete search history.

(56) **References Cited**

U.S. PATENT DOCUMENTS

D170,892 S * 11/1953 Schoenwald D8/30
D188,788 S 9/1960 Lamb et al.
D269,588 S * 7/1983 Ludwig D8/68

D279,254 S * 6/1985 Smith 16/DIG. 2
5,314,417 A 5/1994 Stephens et al.
5,554,137 A 9/1996 Young et al.
5,620,456 A * 4/1997 Sauer A61B 17/3417
604/164.01
5,690,664 A * 11/1997 Sauer A61B 17/3496
604/164.11
D396,624 S * 8/1998 Basilius D8/107
D402,757 S 12/1998 Davis et al.
D561,338 S 2/2008 Blanco et al.
D562,981 S 2/2008 Trissel et al.

(Continued)

Primary Examiner — Daniel J Domino

Assistant Examiner — Lee D. Starr

(74) *Attorney, Agent, or Firm* — MARSHALL, GERSTEIN & BORUN LLP

(57) **CLAIM**

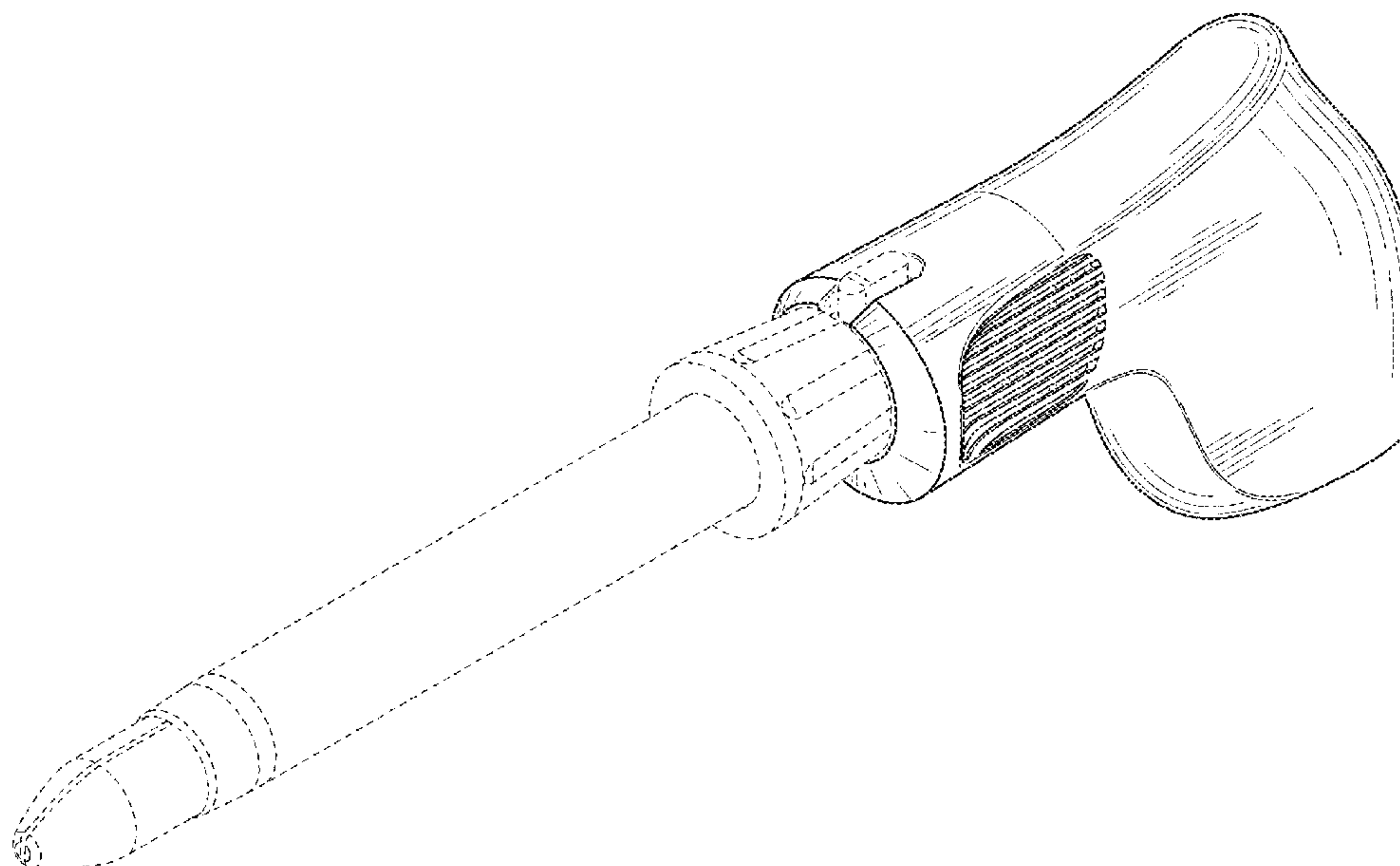
The ornamental design for a chest tube insertion aid and handle assembly, as shown and described.

DESCRIPTION

FIG. 1 is a front perspective view of a chest tube insertion aid and handle assembly of the new design; FIG. 2 is a front view of the invention illustrated in FIG. 1; FIG. 3 is a rear view of the invention illustrated in FIG. 1; FIG. 4 is a right elevational view of the invention illustrated in FIG. 1; FIG. 5 is a left elevational view of the invention illustrated in FIG. 1; FIG. 6 is a top view of the invention illustrated in FIG. 1; FIG. 7 is a bottom view of the invention illustrated in FIG. 1; and, FIG. 8 is a rear perspective view of the invention illustrated in FIG. 1.

The broken lines in the drawings depict portions of the chest tube insertion aid and handle assembly that form no part of the claimed design.

1 Claim, 5 Drawing Sheets



(56)

References Cited

U.S. PATENT DOCUMENTS

D628,289 S 11/2010 Romero et al.
D631,964 S * 2/2011 Miles D24/133
D638,270 S 5/2011 Flattinger et al.
D650,073 S * 12/2011 Pedersen D24/133
D655,041 S 2/2012 Grabes et al.
D658,026 S 4/2012 Dale et al.
D699,543 S 2/2014 Haythornthwaite et al.
D717,431 S * 11/2014 Cardinale D24/133
D717,629 S 11/2014 Su et al.
D909,574 S * 2/2021 Chu D24/133
D915,862 S 4/2021 Korbuly et al.
D981,563 S * 3/2023 Kiev D24/147
2007/0005087 A1 1/2007 Smith et al.
2009/0093677 A1 * 4/2009 Smith A61B 17/32093
600/114
2009/0270896 A1 10/2009 Sullivan et al.
2010/0048994 A1 * 2/2010 Okoniewski A61B 17/3417
600/114
2012/0016399 A1 * 1/2012 Poulsen A61B 17/320758
606/170
2014/0135704 A1 5/2014 Begg et al.
2016/0235435 A1 8/2016 Kiev et al.
2018/0289391 A1 * 10/2018 Fujii A61B 1/0008
2019/0307485 A1 10/2019 Kiev et al.
2021/0212722 A1 7/2021 Kiev et al.
2021/0259669 A1 * 8/2021 Pattison A61B 17/00

* cited by examiner

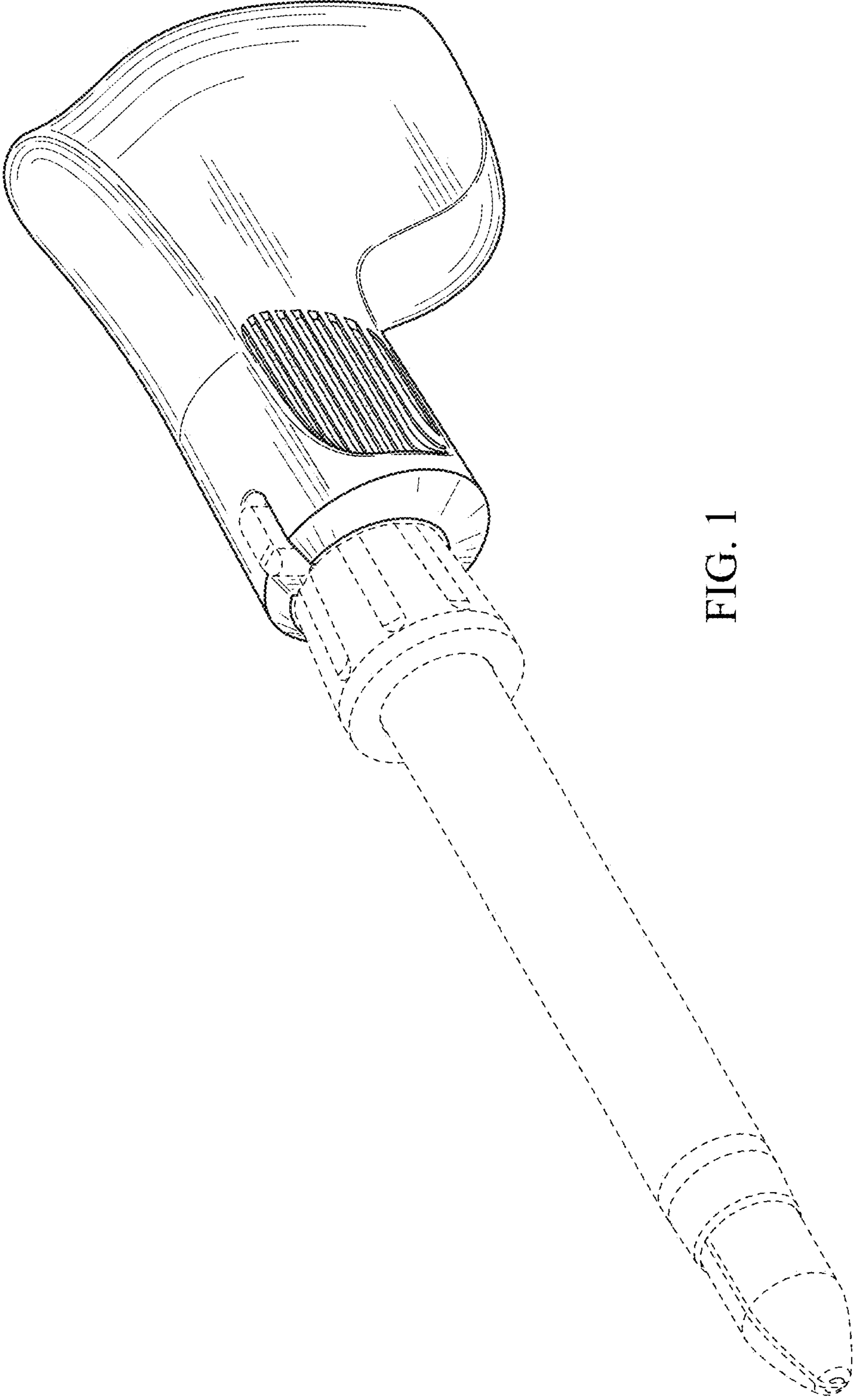


FIG. 1

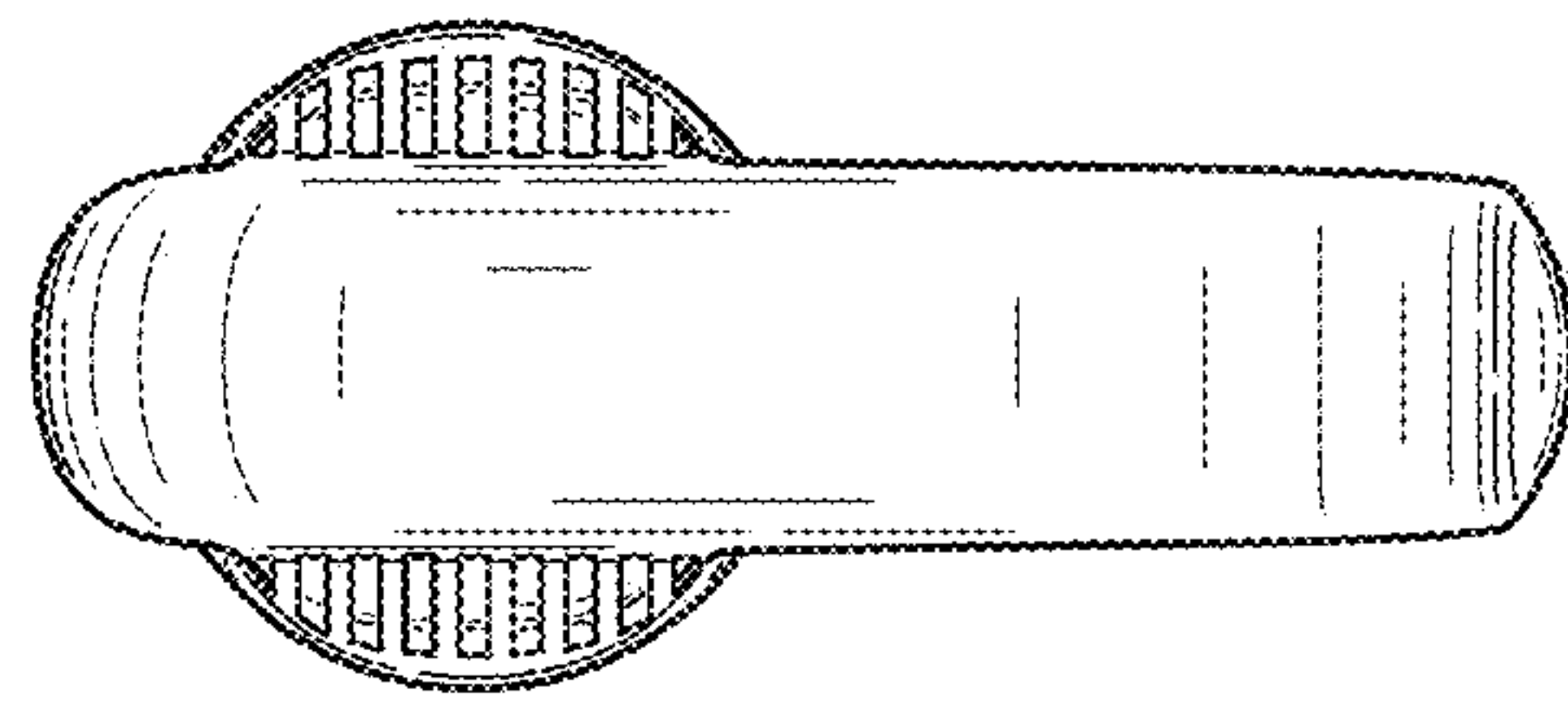


FIG. 3

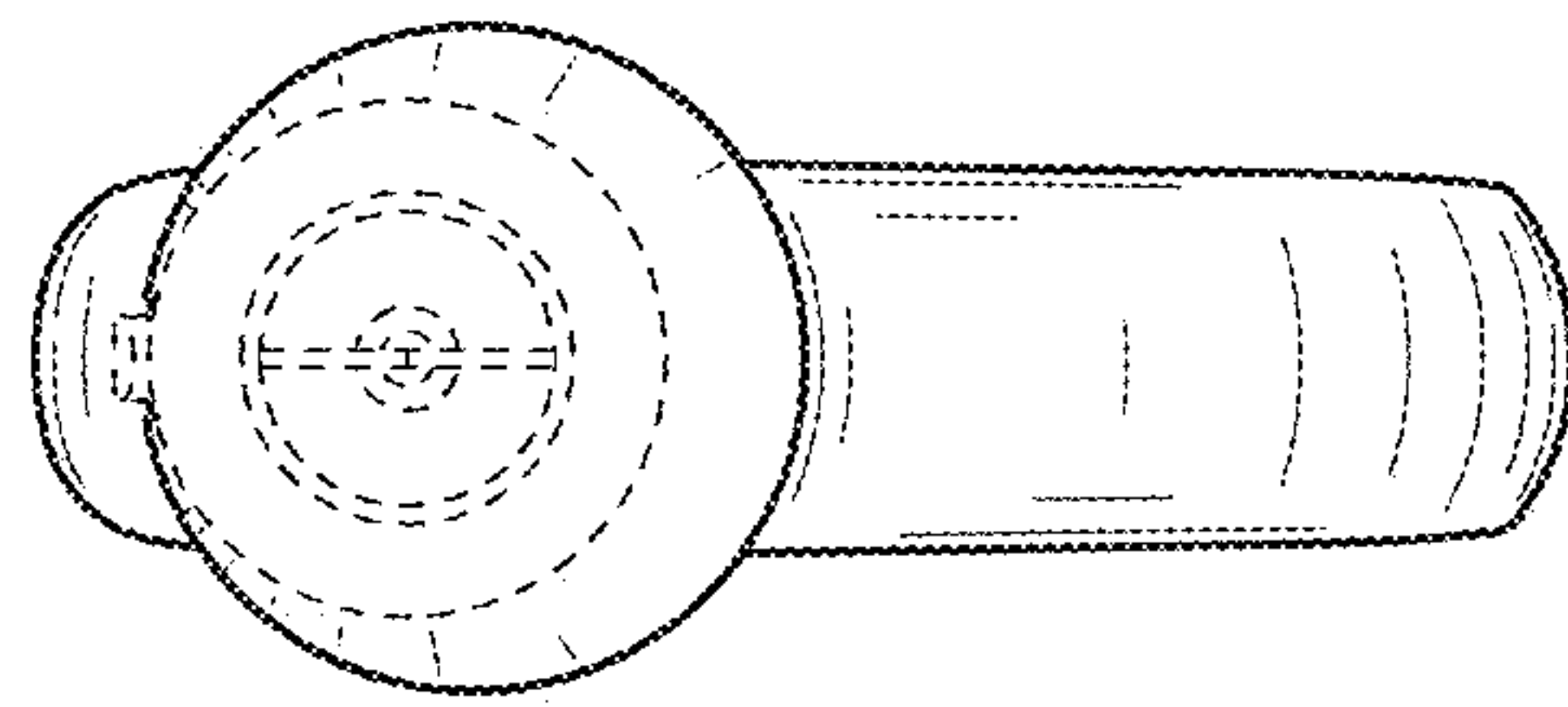


FIG. 2

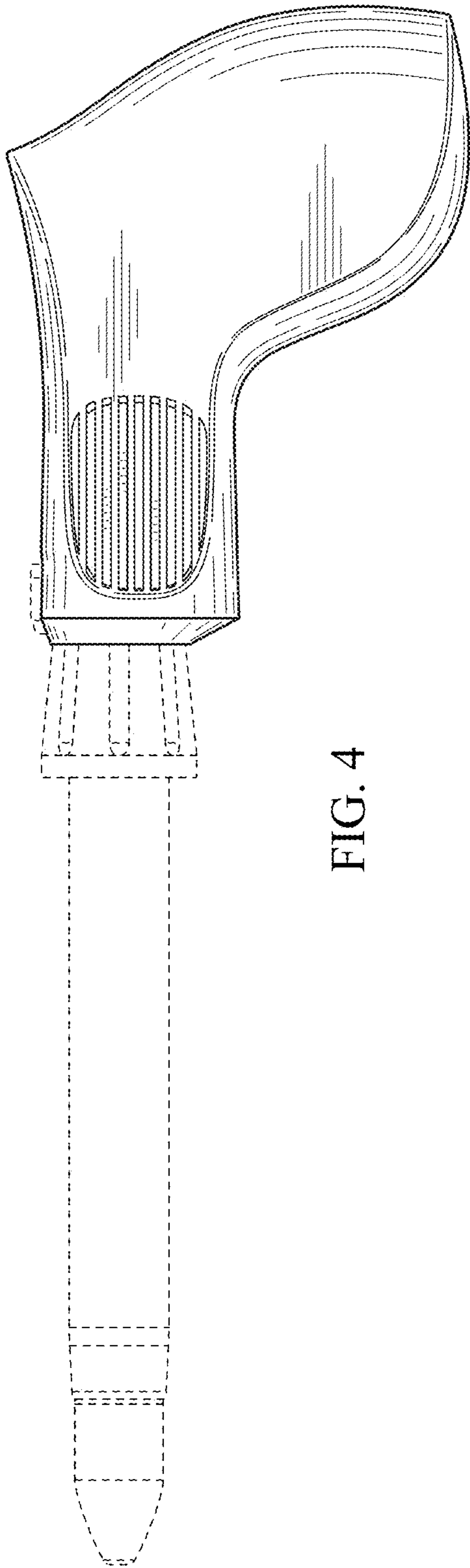


FIG. 4

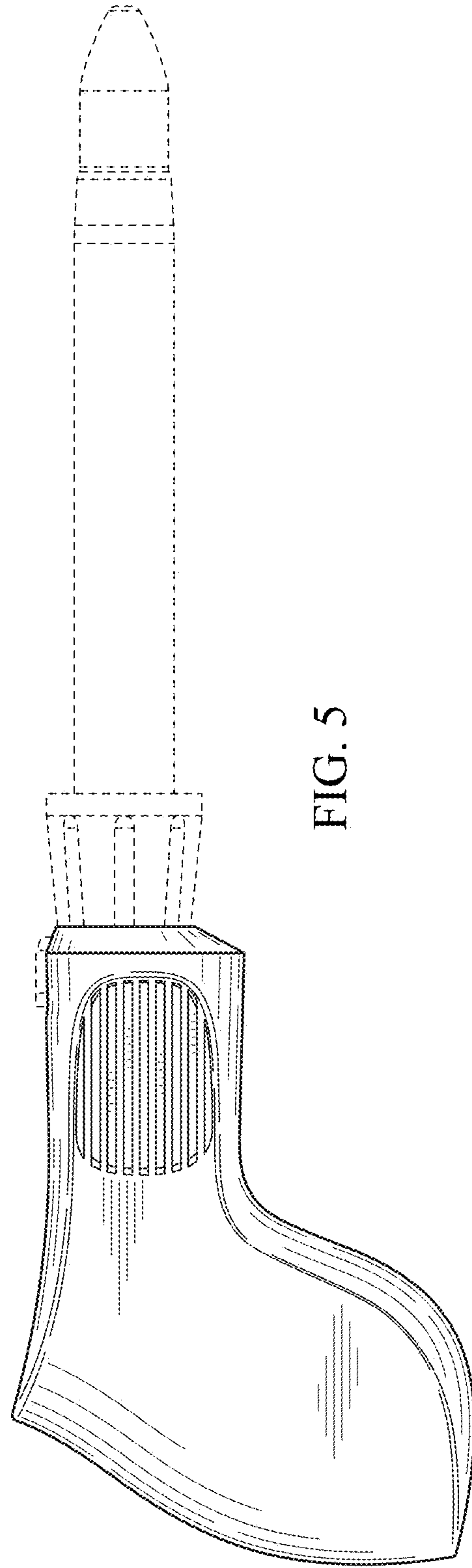


FIG. 5

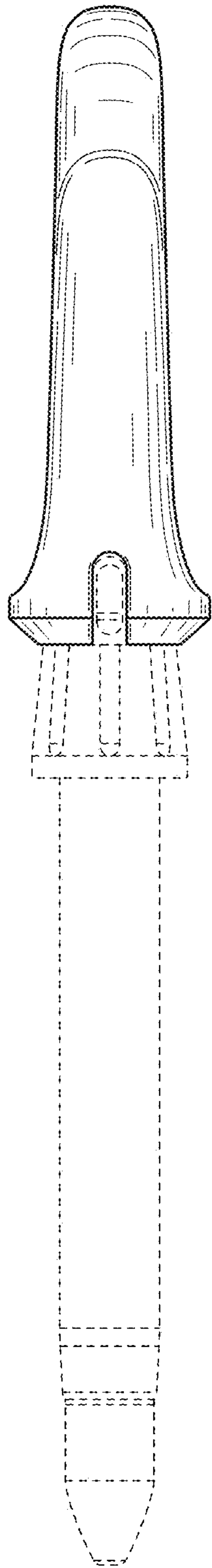


FIG. 6

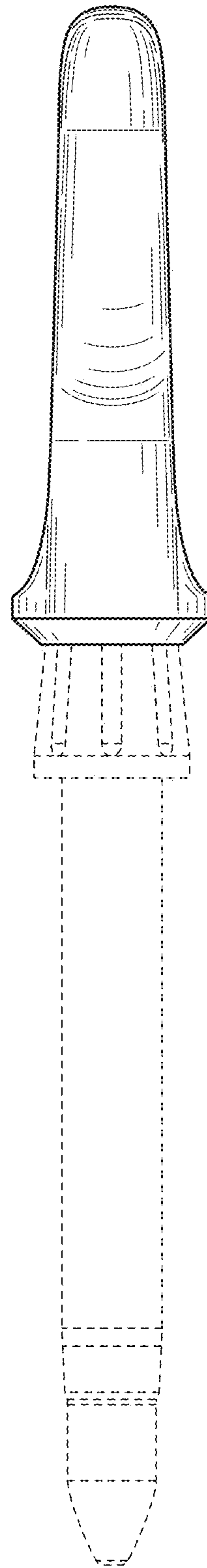


FIG. 7

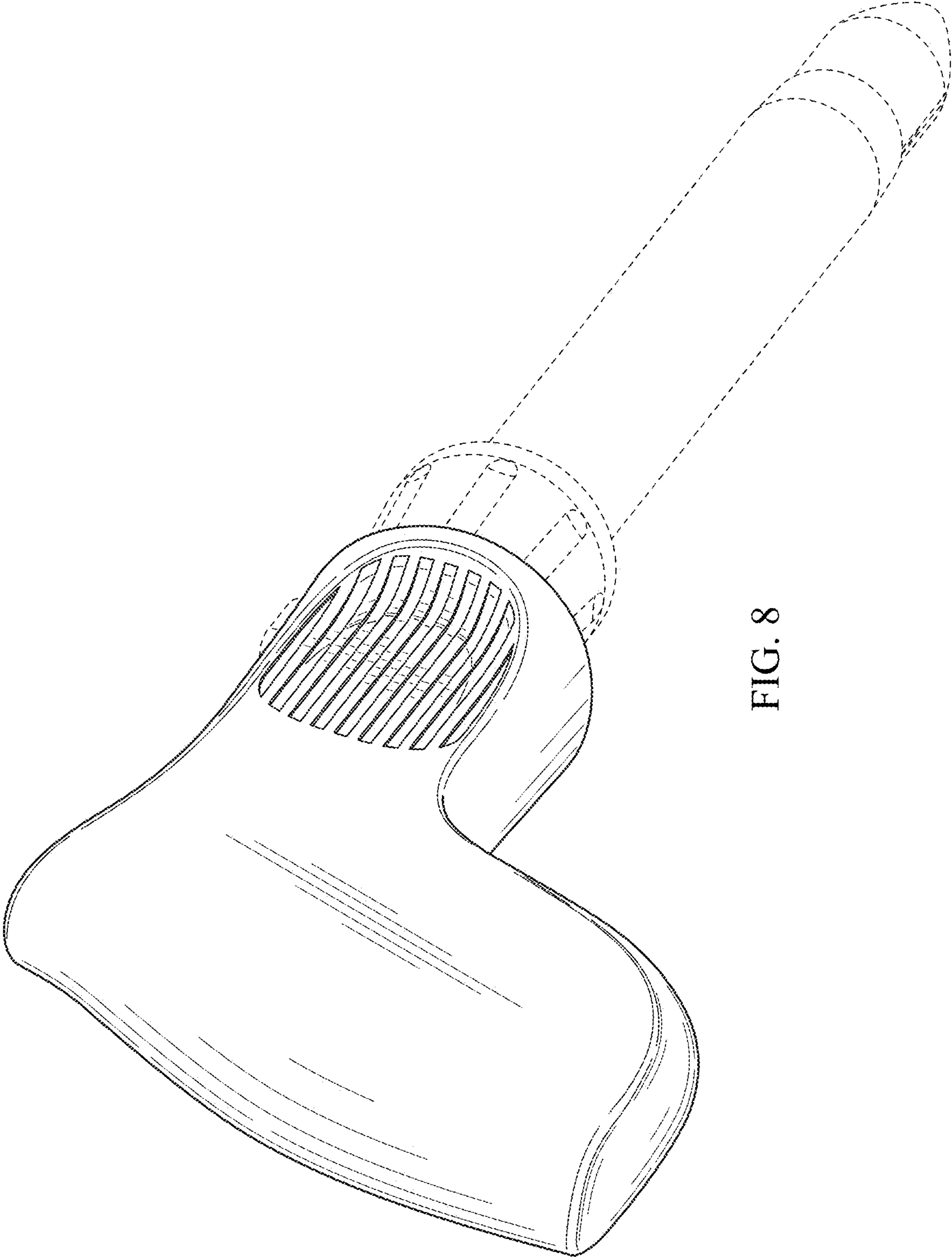


FIG. 8