



US00D999901S

(12) **United States Design Patent**
Chen

(10) **Patent No.:** **US D999,901 S**

(45) **Date of Patent:** **** Sep. 26, 2023**

(54) **FAN BLADE**

(71) Applicant: **Minhua Chen**, Guangzhou (CN)

(72) Inventor: **Minhua Chen**, Guangzhou (CN)

(**) Term: **15 Years**

(21) Appl. No.: **29/883,841**

(22) Filed: **Feb. 3, 2023**

(51) **LOC (14) Cl.** **23-04**

(52) **U.S. Cl.**
USPC **D23/413**

(58) **Field of Classification Search**
USPC D23/370, 411–413
CPC F04D 29/324; F04D 19/002; F04D 29/325;
F04D 29/281
See application file for complete search history.

(56) **References Cited**

U.S. PATENT DOCUMENTS

- D438,950 S * 3/2001 Frampton D23/385
- D530,006 S * 10/2006 Li D23/414
- D533,935 S * 12/2006 Chen D23/413
- D561,323 S * 2/2008 Shirahama D23/370
- D561,324 S * 2/2008 Shirahama D23/370
- D561,325 S * 2/2008 Shirahama D23/370
- 8,133,009 B2 * 3/2012 Salvesen F04D 29/282
416/214 R
- D667,103 S * 9/2012 Shiraichi D23/413
- D667,104 S * 9/2012 Shiraichi D23/413
- 9,140,270 B2 * 9/2015 Hong F04D 29/282
- 9,447,790 B2 * 9/2016 Nakai F04D 17/04
- D771,235 S * 11/2016 Hoff D23/411
- D802,742 S * 11/2017 Sun D23/370
- D916,269 S 4/2021 Bushnell et al.
- D921,874 S 6/2021 Oh
- 11,242,864 B2 * 2/2022 Anderson F04D 29/281
- D963,154 S * 9/2022 Horie D23/370

- 2006/0034694 A1 * 2/2006 Li F04D 29/282
416/175
- 2008/0075598 A1 * 3/2008 Chen F04D 29/283
416/179
- 2015/0252816 A1 * 9/2015 Nakai F04D 29/283
416/178
- 2017/0107997 A1 * 4/2017 Yamamoto F04D 29/282
- 2020/0284267 A1 * 9/2020 Kawamura F04D 17/04
- 2023/0130474 A1 * 4/2023 Teramoto F24F 1/0022
417/423.14
- 2023/0135727 A1 * 5/2023 Teramoto F04D 29/281
417/423.7

FOREIGN PATENT DOCUMENTS

CN 307972899 * 4/2023

* cited by examiner

Primary Examiner — Janice Hallmark

(74) *Attorney, Agent, or Firm* — Che-Yang Chen; Law Office of Michael Chen

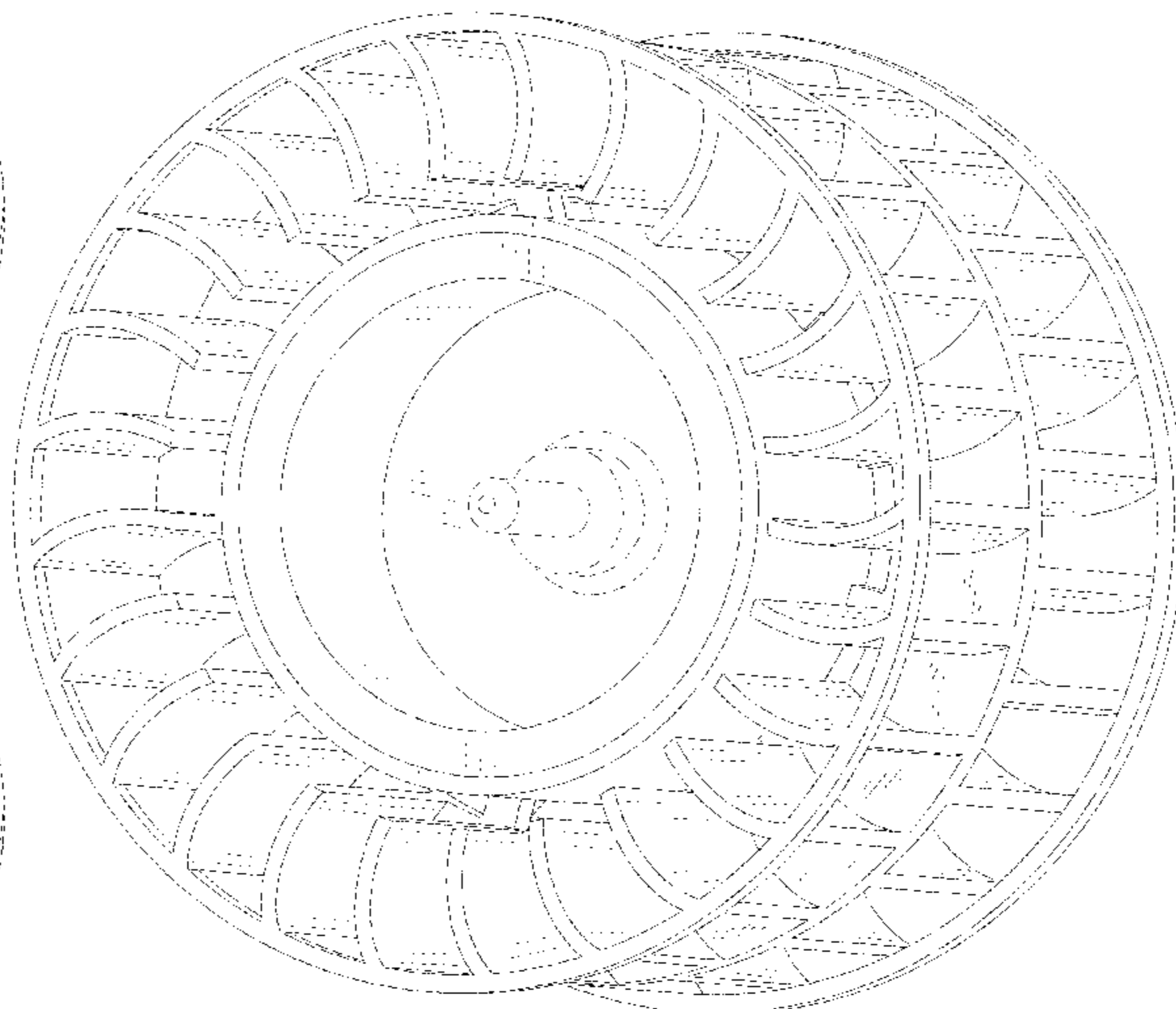
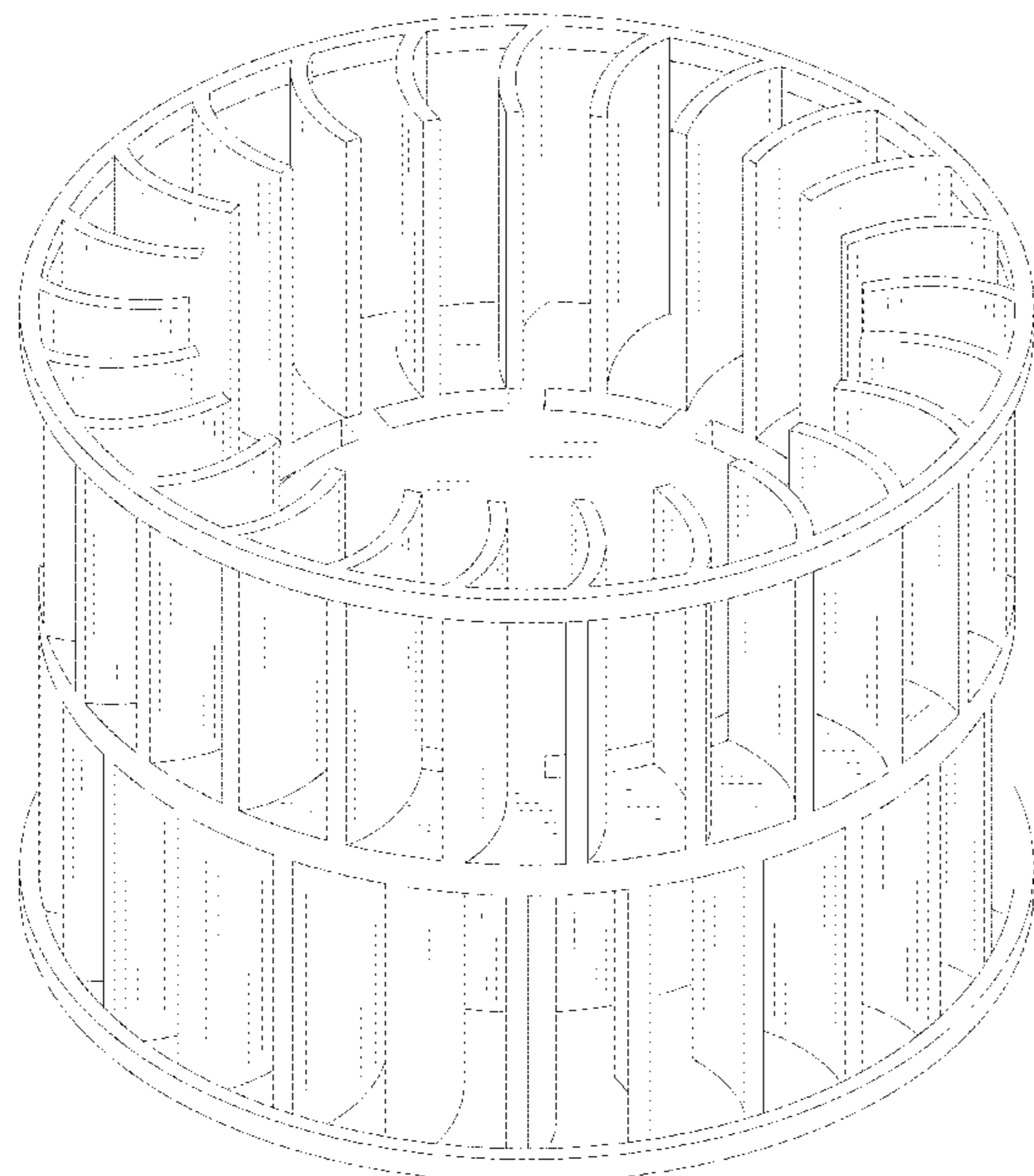
(57) **CLAIM**

The ornamental design for a fan blade, as shown and described.

DESCRIPTION

FIG. 1 is a perspective view of the fan blade showing my new design;
 FIG. 2 is a perspective view thereof from another angle;
 FIG. 3 is a front elevational view thereof;
 FIG. 4 is a rear elevational view thereof;
 FIG. 5 is a left side elevational view thereof;
 FIG. 6 is a right side elevational view thereof;
 FIG. 7 is a top plan view thereof; and,
 FIG. 8 is a bottom plan view thereof.
 The broken lines illustrate environmental subject matter that forms no part of the claimed design.

1 Claim, 8 Drawing Sheets



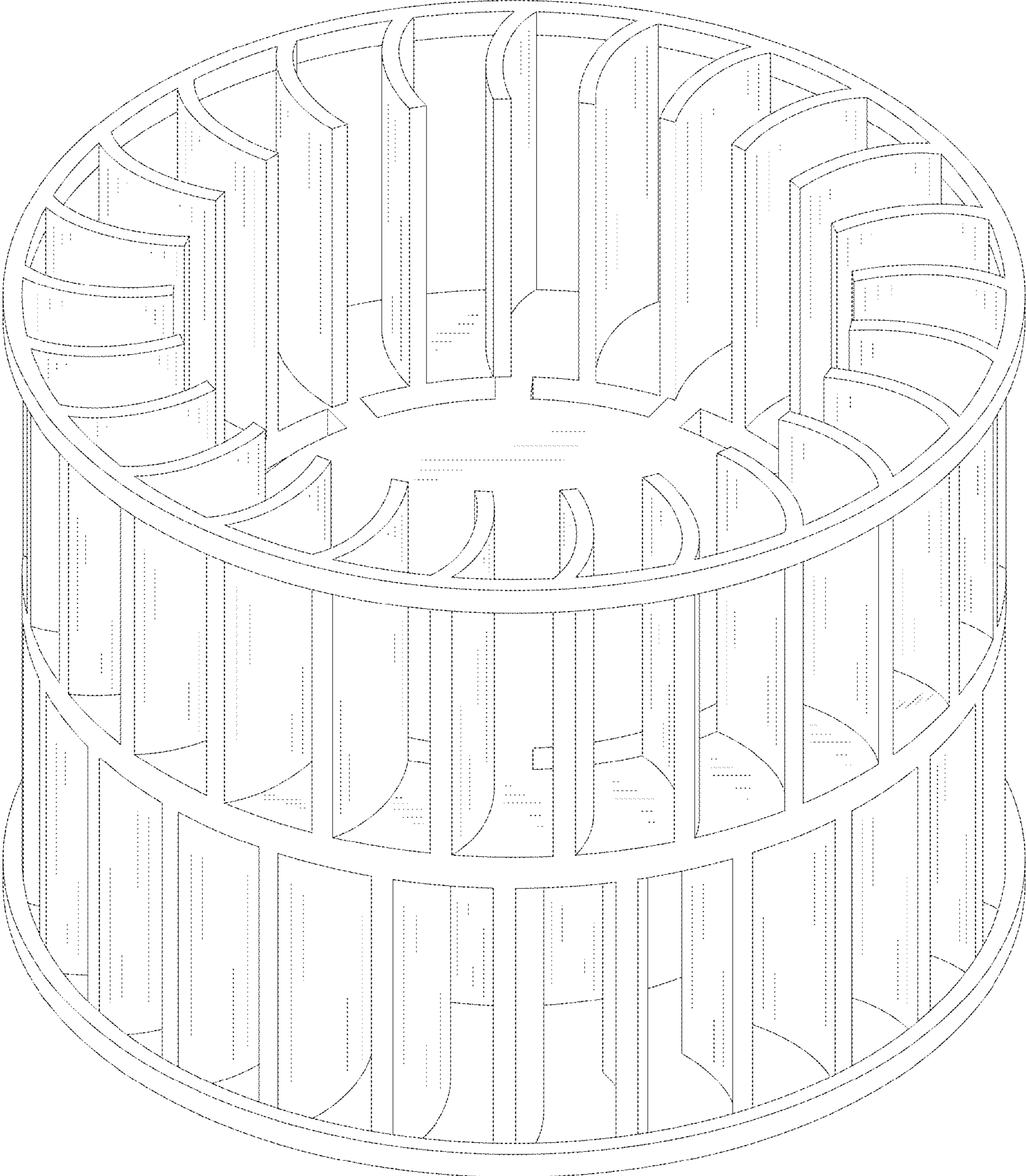


FIG.1

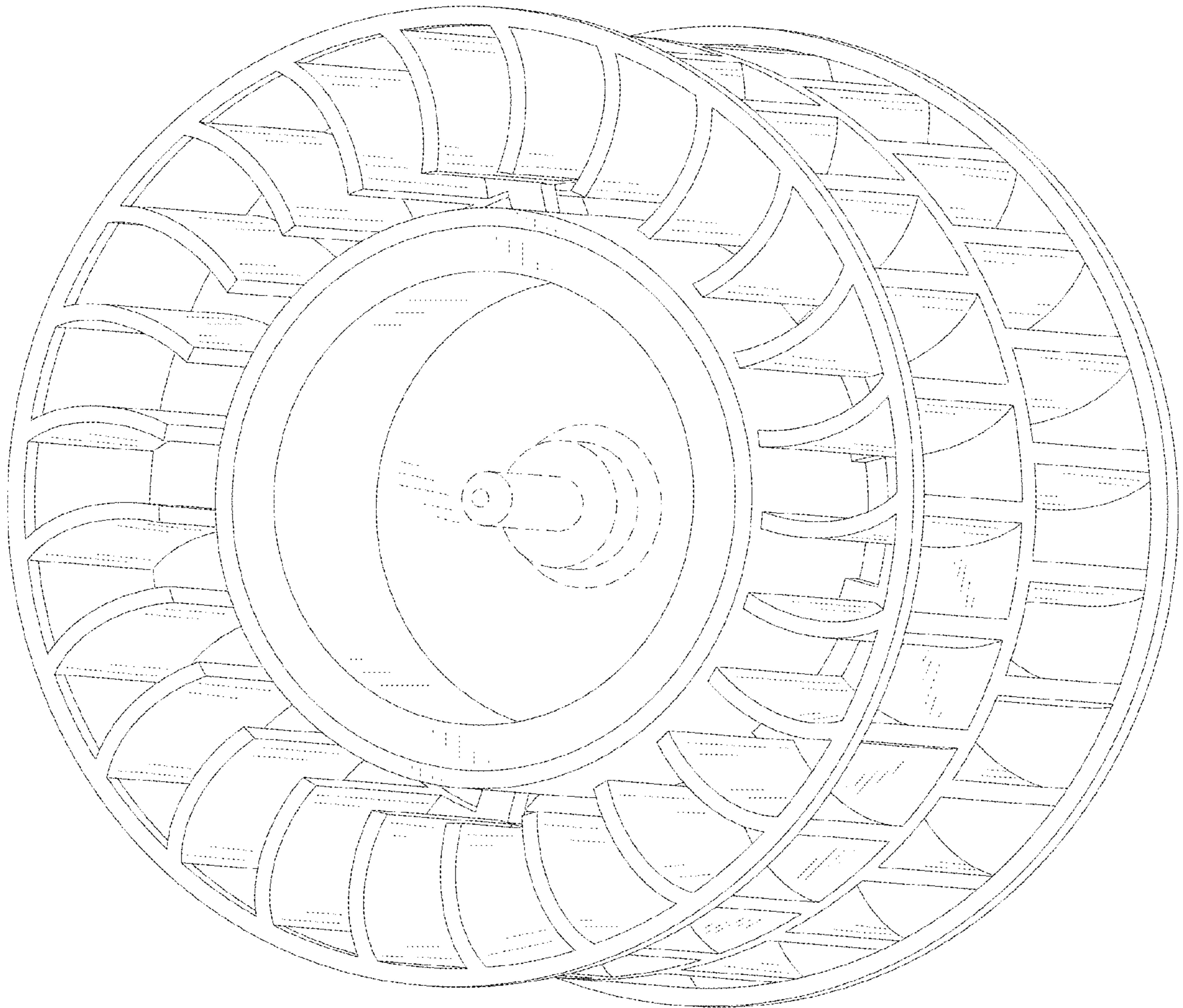


FIG. 2

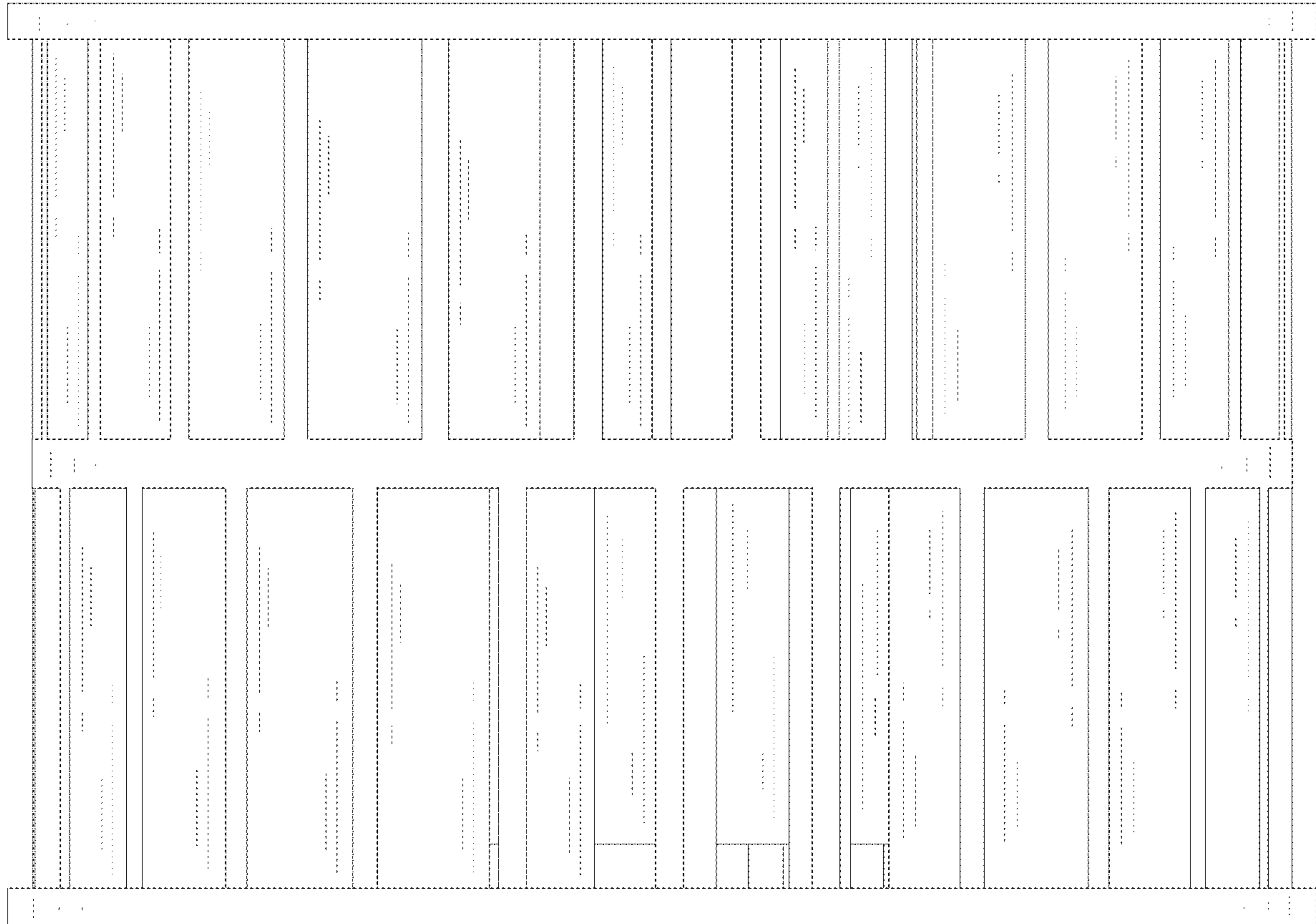


FIG. 3

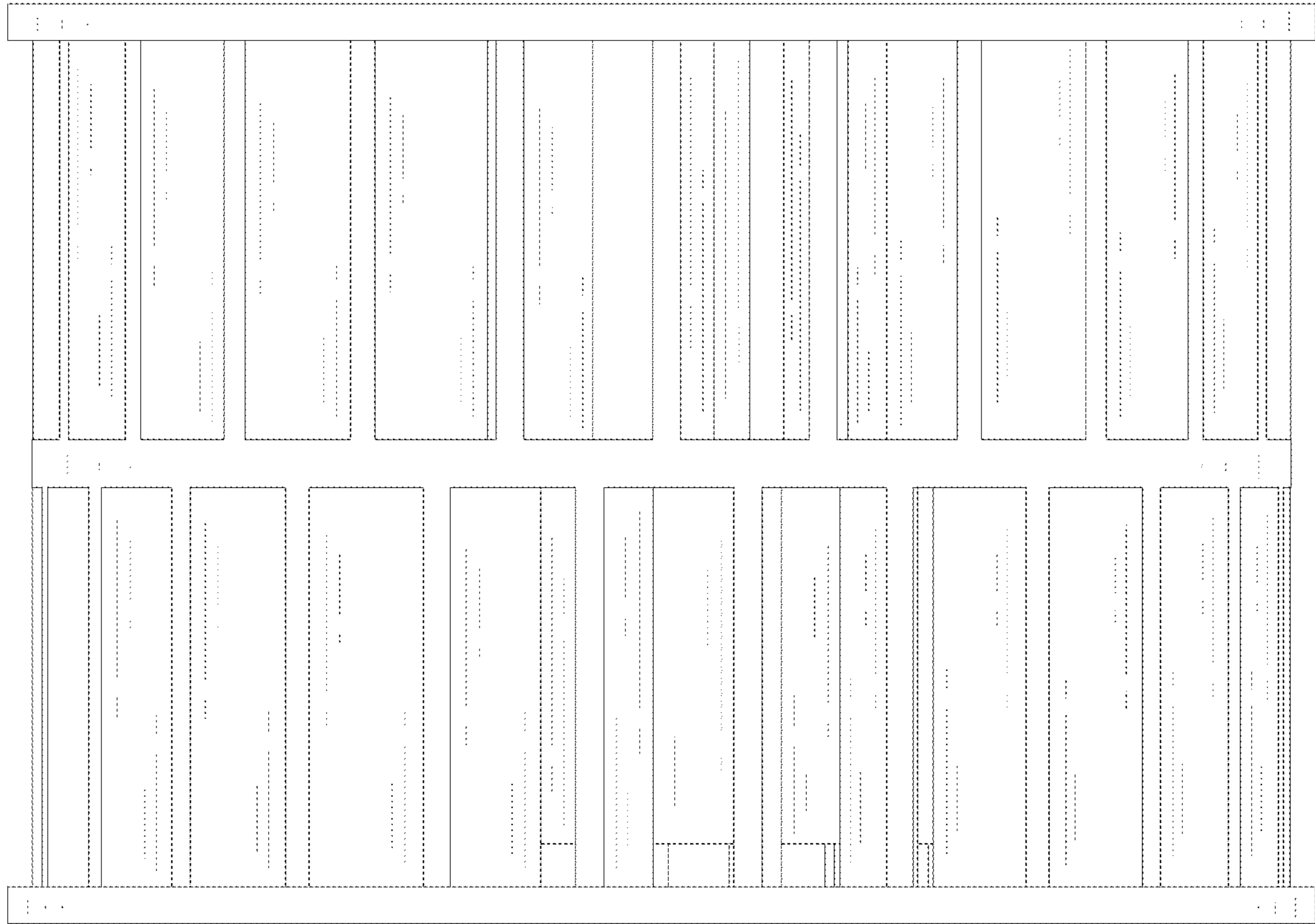


FIG. 4

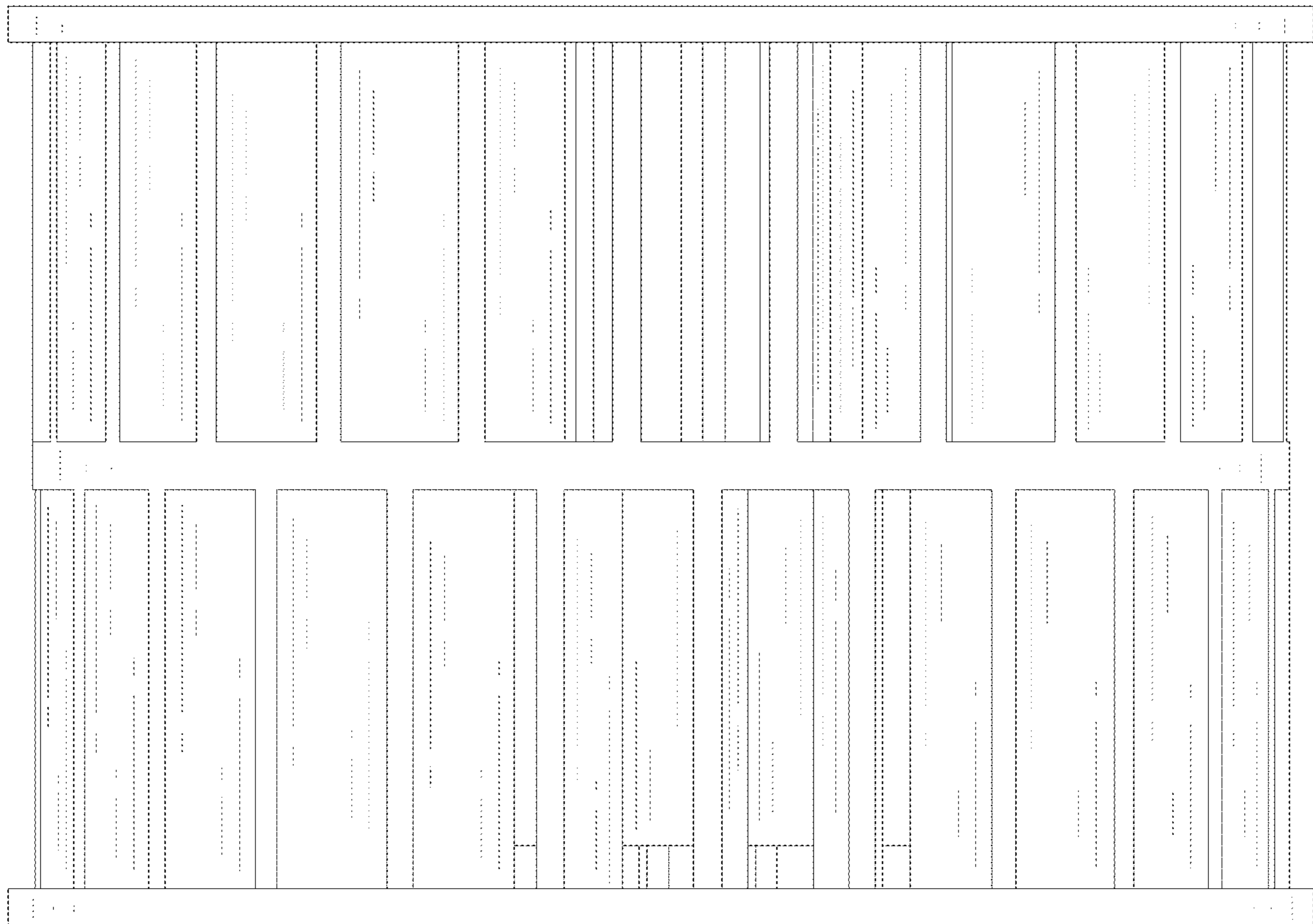


FIG. 5

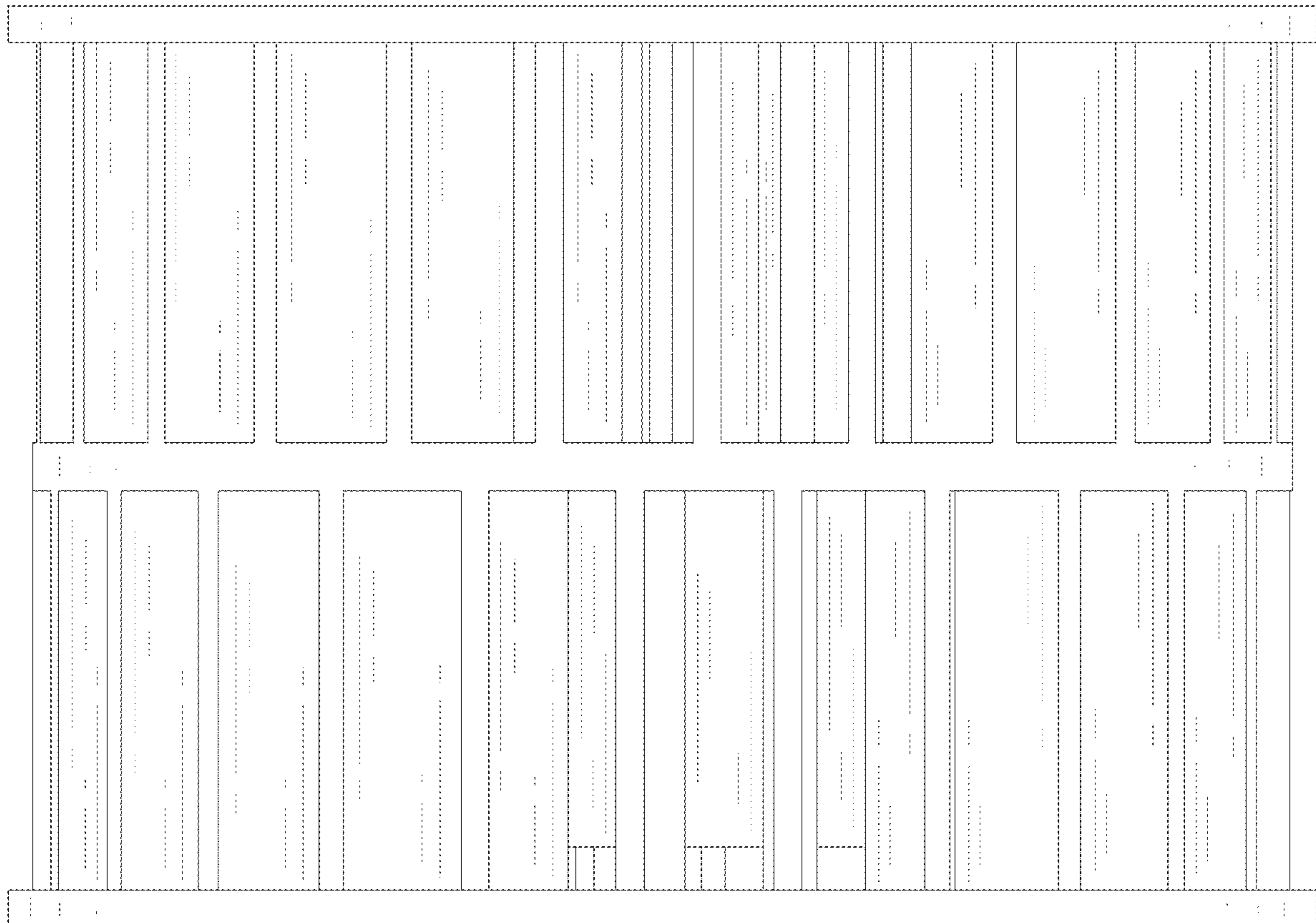


FIG. 6

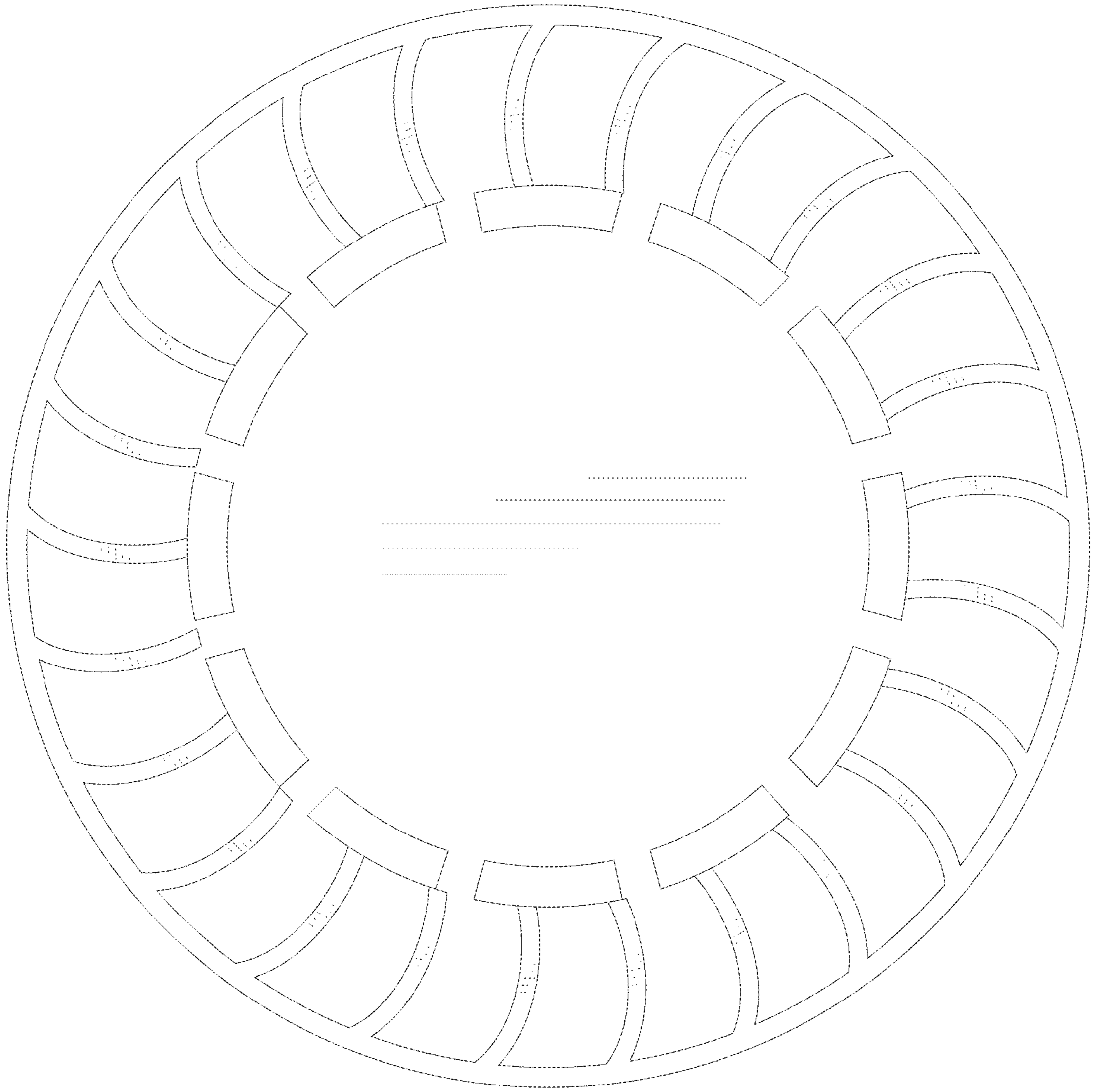


FIG. 7

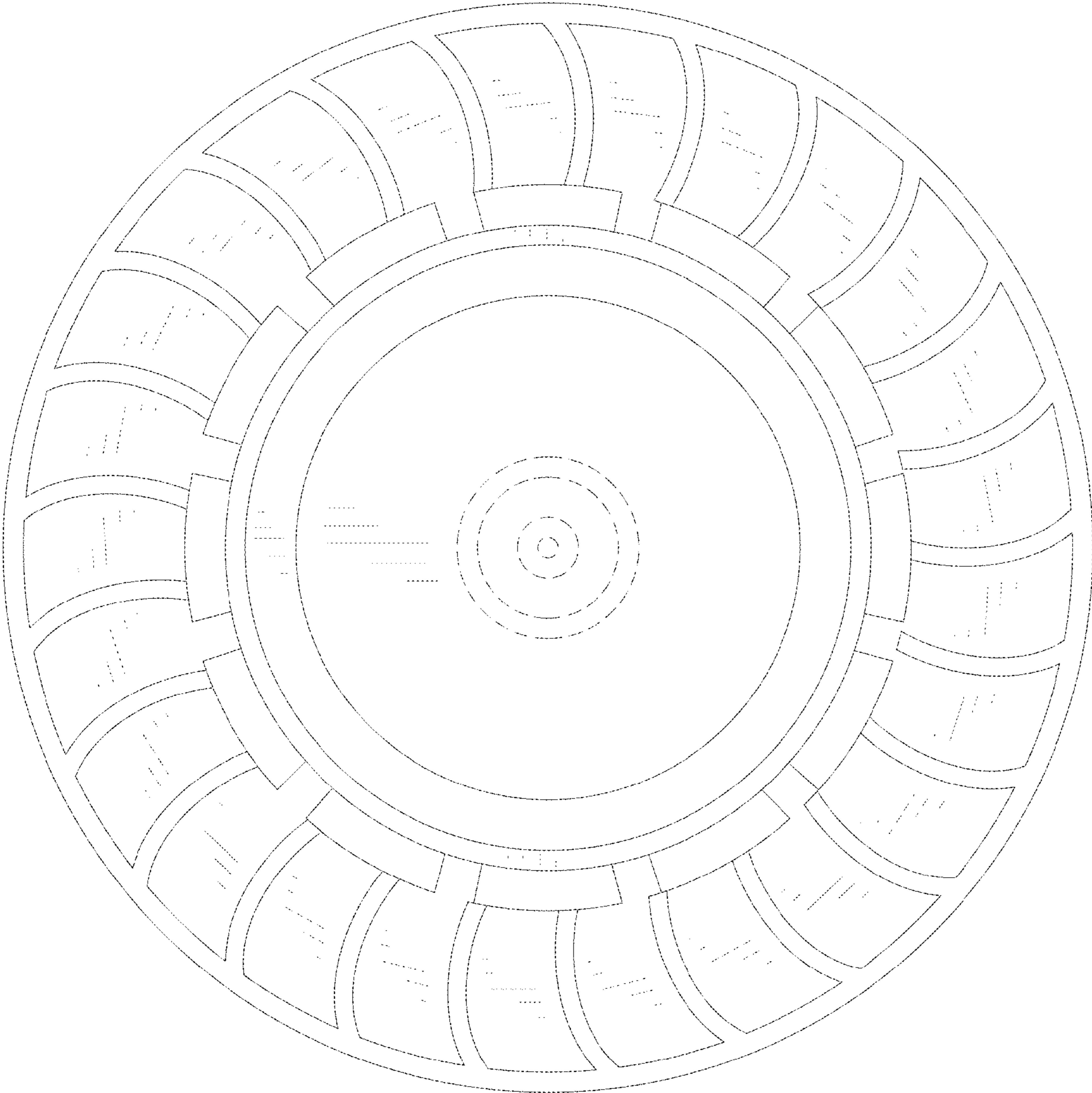


FIG. 8