



US00D999845S

(12) **United States Design Patent** (10) **Patent No.:** **US D999,845 S**
Christensen et al. (45) **Date of Patent:** **** Sep. 26, 2023**

(54) **MODEL VEHICLE BODY**
(71) Applicant: **TRAXXAS, L.P.**, McKinney, TX (US)
(72) Inventors: **Casey Christen Jens Christensen**,
McKinney, TX (US); **Otto Karl**
Allmendinger, Rowlett, TX (US); **Jory**
Sprowl, Honey Grove, TX (US);
Skylar Hagler, Anna, TX (US);
Jonathan Scott Wood, Campbell, CA
(US); **Kent Poteet**, Lucas, TX (US);
Jaime Felix Barajas, Dallas, TX (US)
(73) Assignee: **TRAXXAS, L.P.**, McKinney, TX (US)
(**) Term: **15 Years**

(21) Appl. No.: **29/815,665**
(22) Filed: **Nov. 16, 2021**
(51) **LOC (14) Cl.** **21-01**
(52) **U.S. Cl.**
USPC **D21/562**
(58) **Field of Classification Search**
USPC D21/433, 533, 548, 549, 550, 562;
446/454, 456, 465, 470, 471; D12/86,
D12/87, 88, 93
CPC A63H 17/262; A63H 17/26; A63H 17/002;
A63H 17/004; A63H 15/06; A63H 33/005
See application file for complete search history.

(56) **References Cited**
U.S. PATENT DOCUMENTS
D566,789 S * 4/2008 Idiot D21/562
D566,790 S * 4/2008 Idiot D21/562

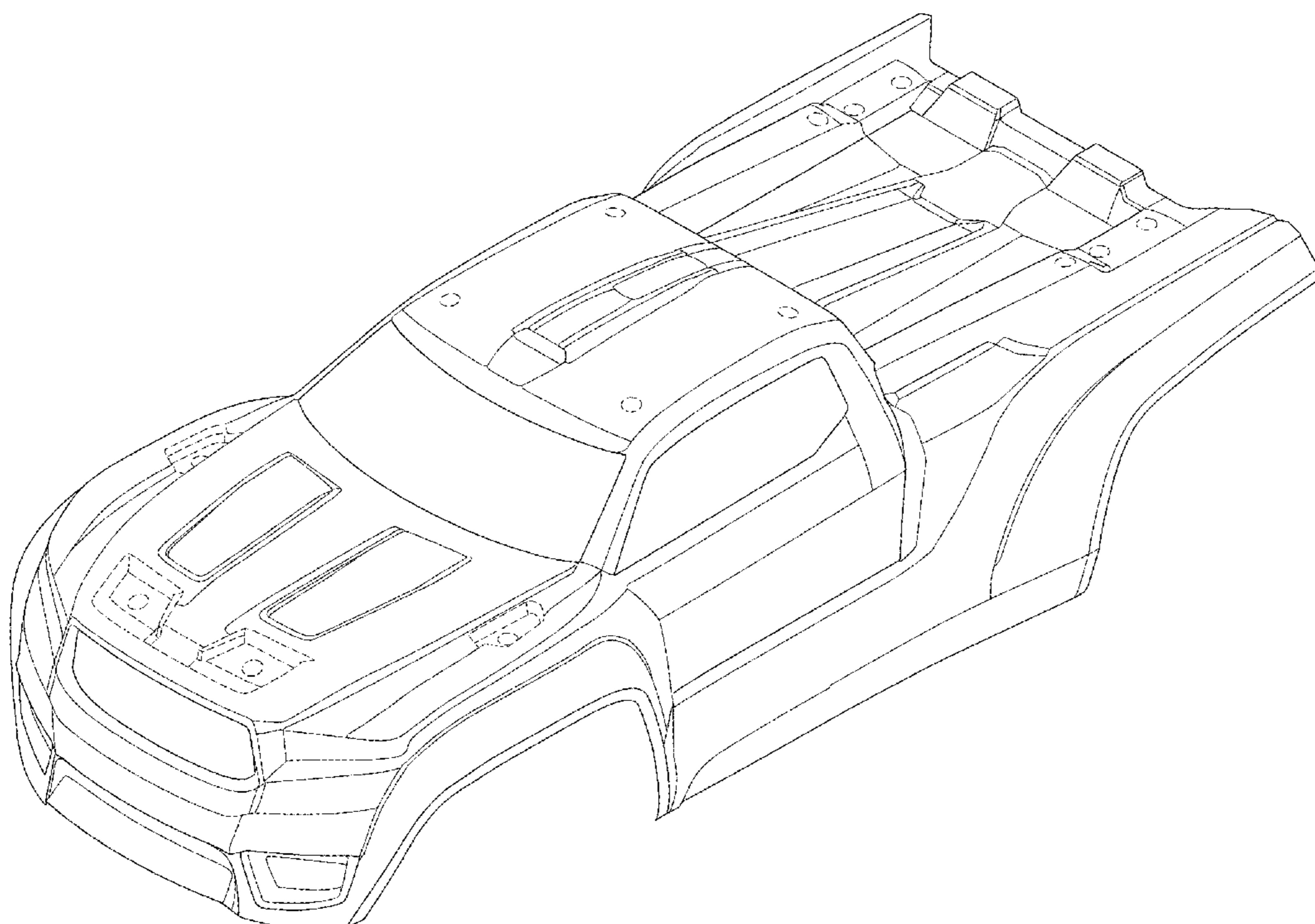
D875,647 S * 2/2020 Barajas D12/548
D876,555 S * 2/2020 Barajas D21/548
D879,212 S * 3/2020 Barajas D21/562
D904,531 S * 12/2020 Barajas D21/562
D930,087 S * 9/2021 Barajas D21/562
D935,531 S * 11/2021 Barajas D21/548
D947,955 S * 4/2022 Barajas D21/562
2023/0219010 A1 * 7/2023 Christensen A63H 17/264
446/471

* cited by examiner
Primary Examiner — Gino Colan
Assistant Examiner — Gregory G McLemore
(74) *Attorney, Agent, or Firm* — Daryl R. Wright; Greg Carr

(57) **CLAIM**
We claim the ornamental design for a model vehicle body,
as shown and described.

DESCRIPTION
FIG. 1 is an upper, left, front perspective view of a model vehicle body showing our new design;
FIG. 2 is a front elevation view thereof;
FIG. 3 is a rear elevation view thereof;
FIG. 4 is a left side elevation view thereof;
FIG. 5 is a right side elevation view thereof;
FIG. 6 is an upper plan view thereof;
FIG. 7 is a lower plan view thereof; and,
FIG. 8 is an upper, right, rear perspective view of the model vehicle body.
In the drawings, the broken lines illustrate portions of the model vehicle body that form no part of the claimed design.

1 Claim, 7 Drawing Sheets



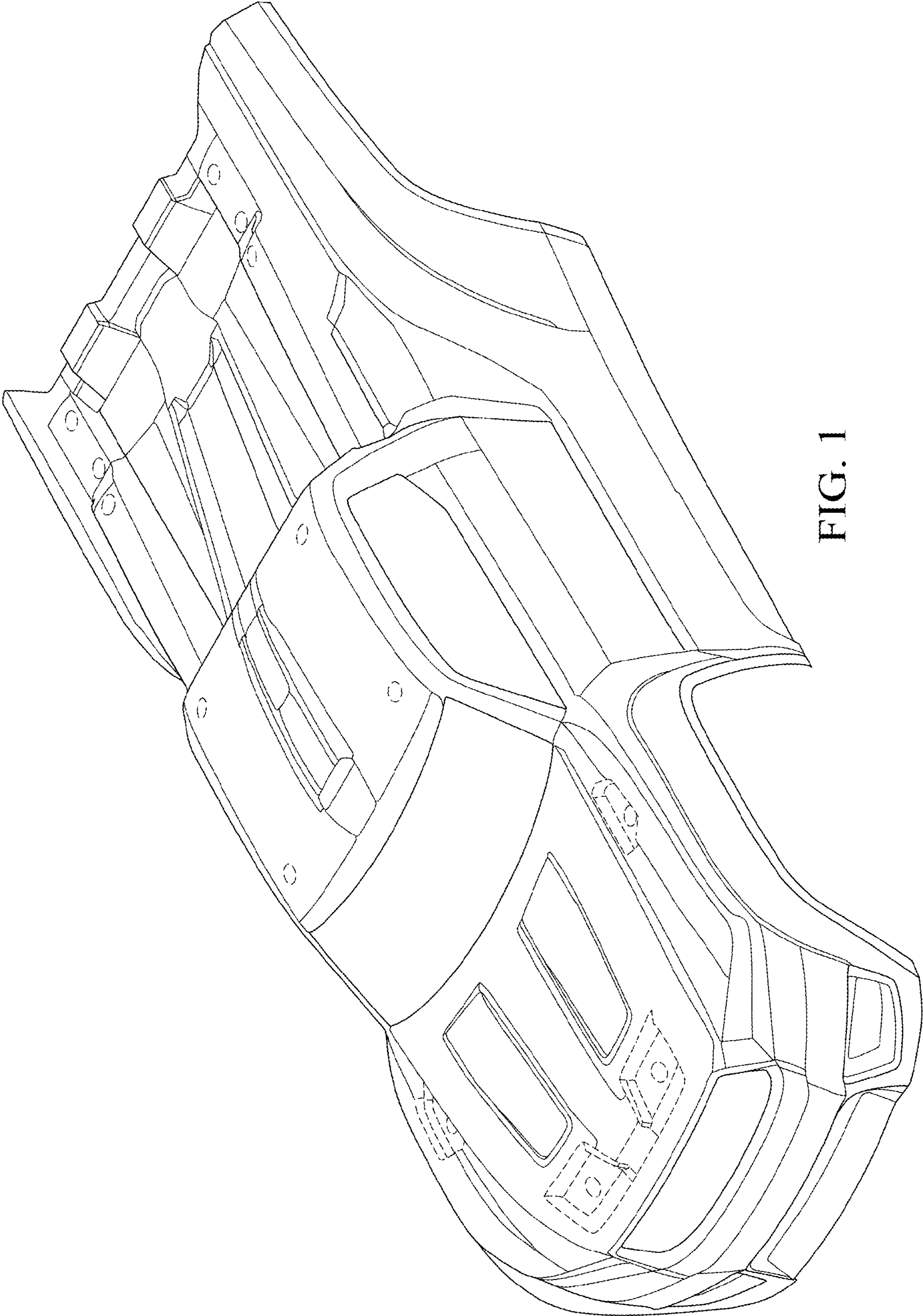


FIG. 1

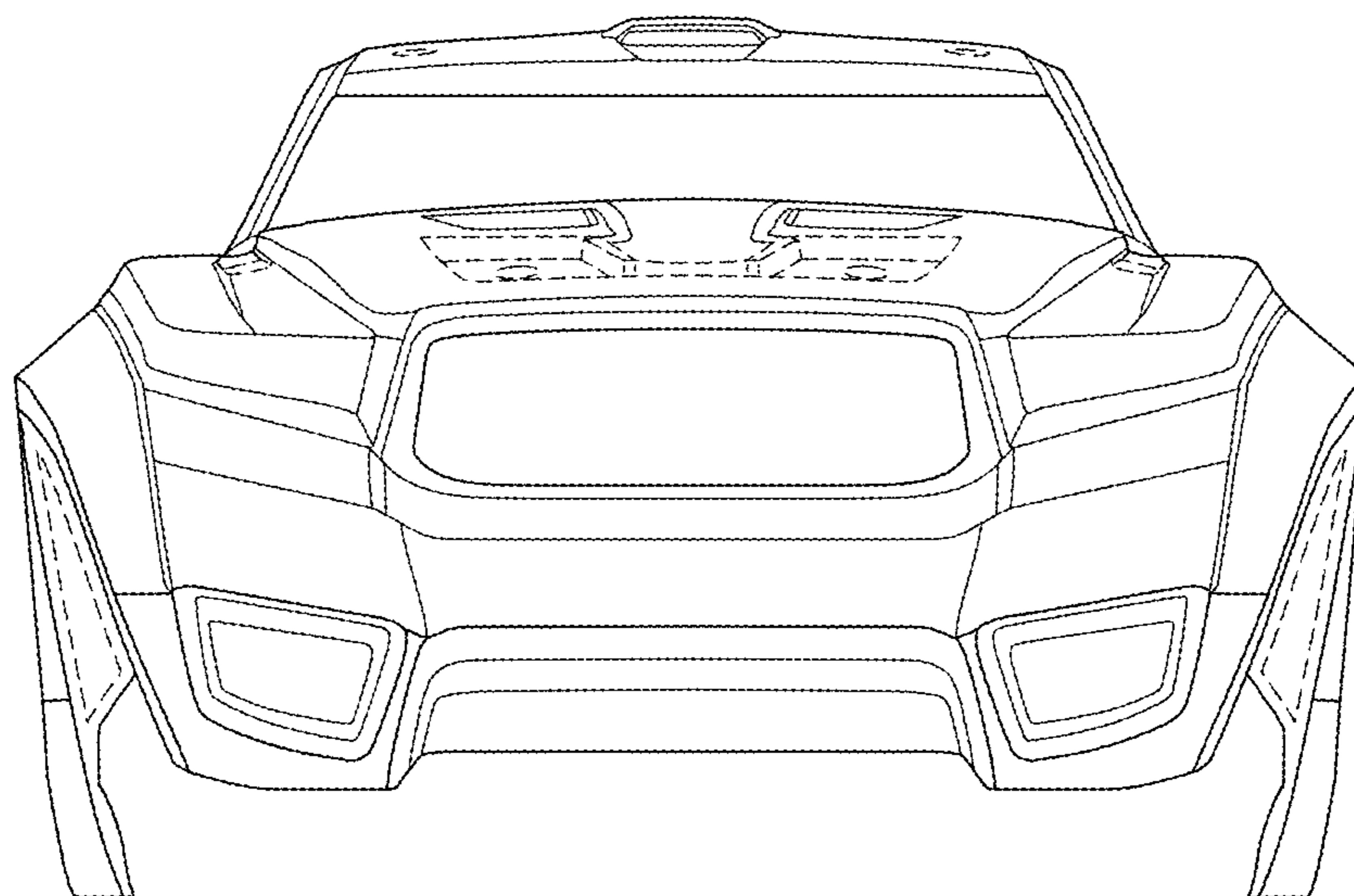


FIG. 2

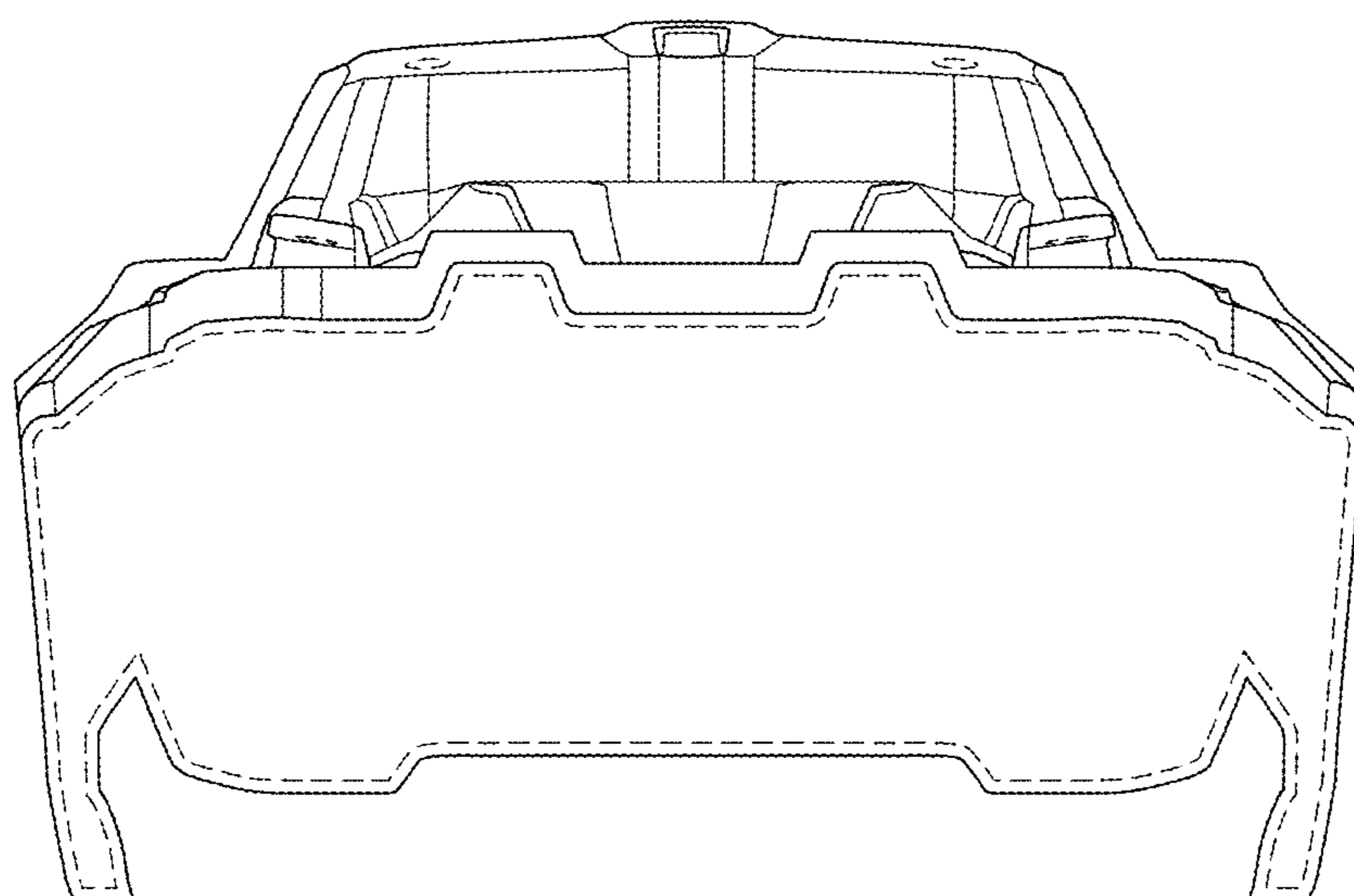


FIG. 3

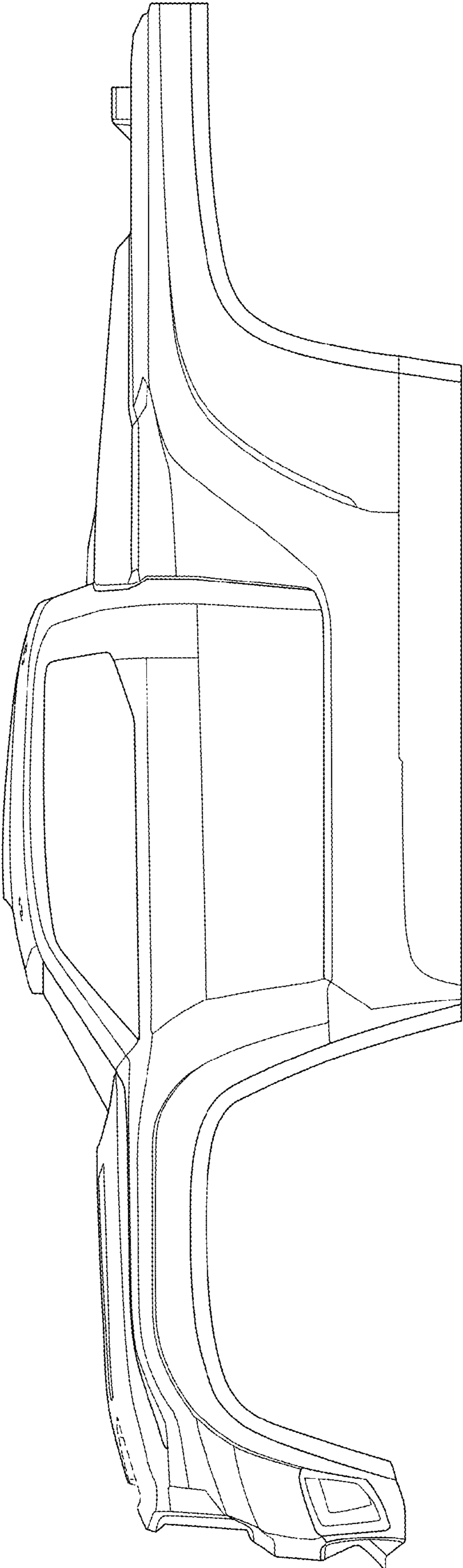


FIG. 4

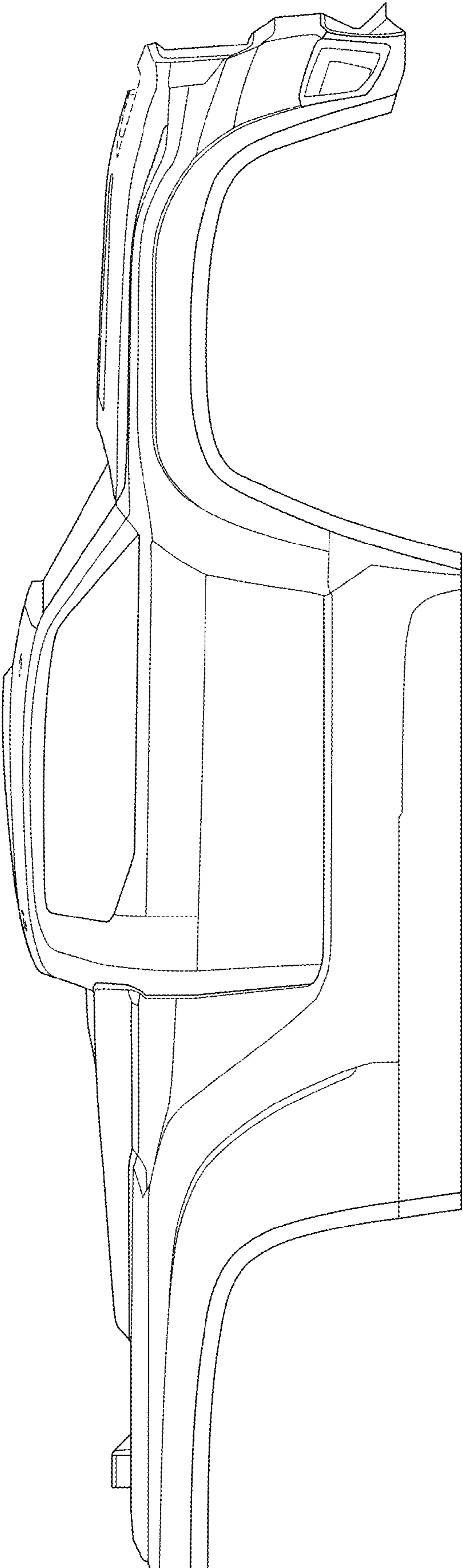


FIG. 5

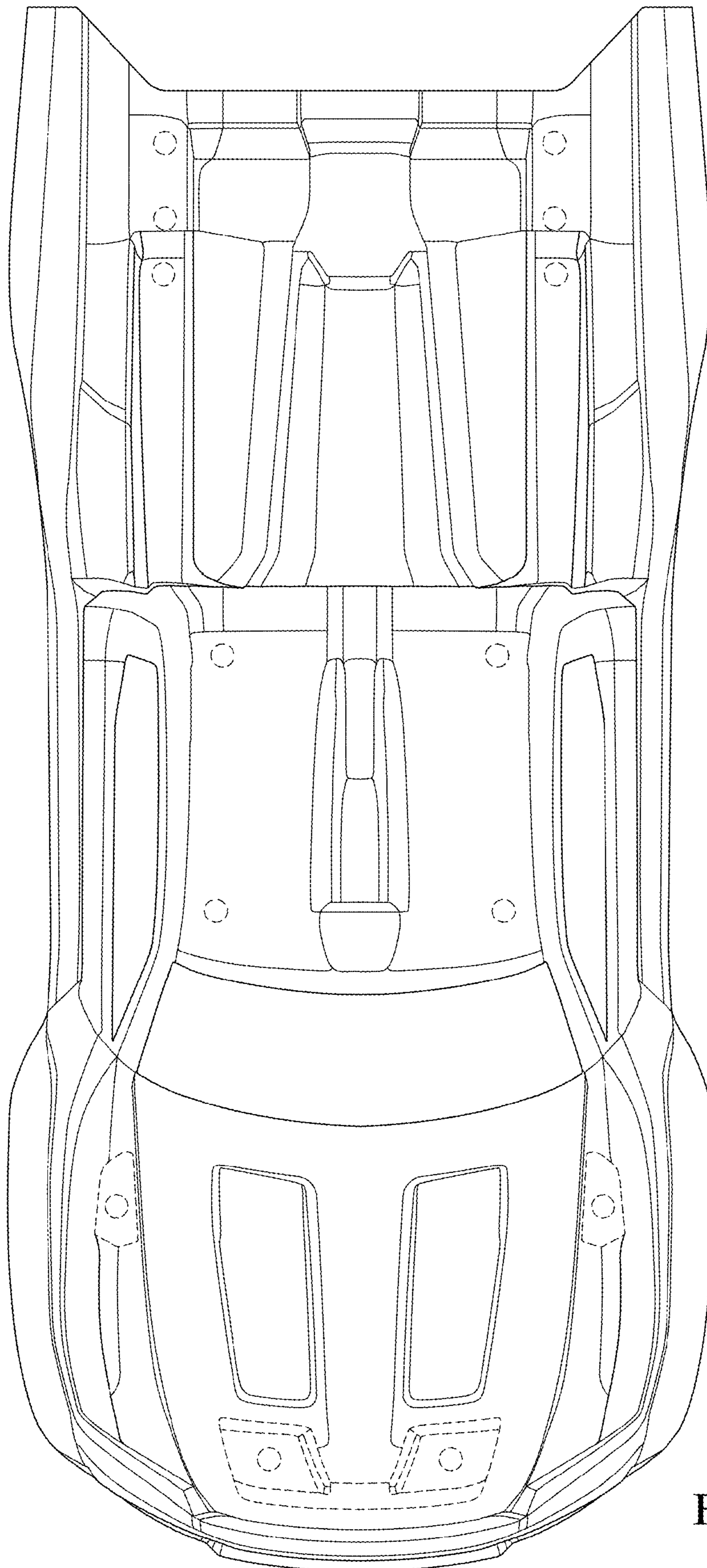


FIG. 6

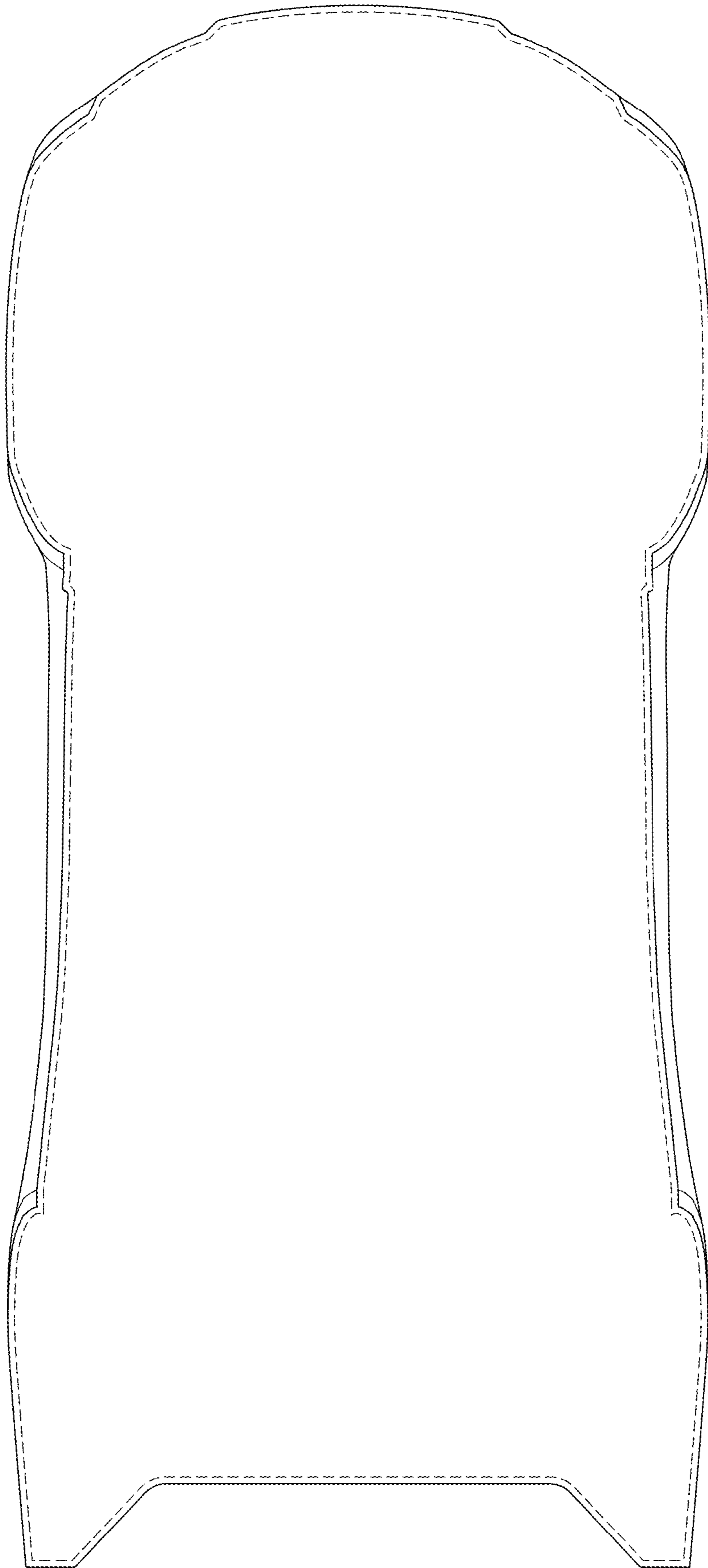


FIG. 7

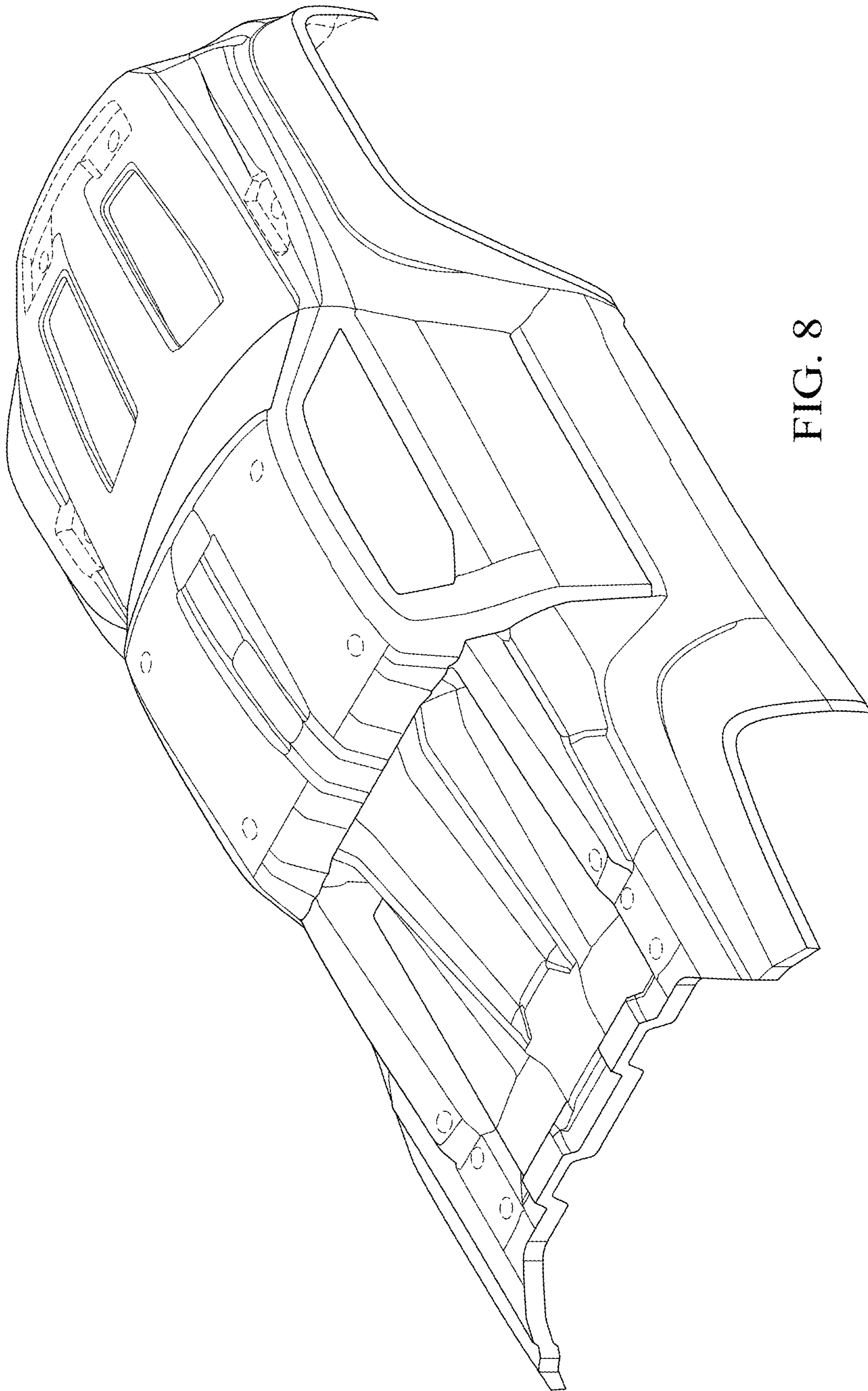


FIG. 8