



US00D999844S

(12) **United States Design Patent**
Sprowl et al.

(10) **Patent No.:** **US D999,844 S**

(45) **Date of Patent:** **** Sep. 26, 2023**

(54) **MODEL VEHICLE LIGHT ASSEMBLY**

D874,999 S * 2/2020 Ewing D12/171
D882,133 S * 4/2020 Wu D26/28
D897,452 S * 9/2020 Lin D21/552
D931,384 S * 9/2021 Chen D21/548

(71) Applicant: **TRAXXAS, L.P.**, McKinney, TX (US)

(72) Inventors: **Jory Sprowl**, Honey Grove, TX (US);
Adam Cole Ewing, McKinney, TX
(US); **Randy Perez**, McKinney, TX
(US); **Terry Soward**, Van Alstyne, TX
(US); **Otto Karl Allmendinger**,
Rowlett, TX (US); **Kent Poteet**, Lucas,
TX (US)

* cited by examiner

Primary Examiner — Gino Colan

Assistant Examiner — Gregory G McLemore

(74) *Attorney, Agent, or Firm* — Daryl R. Wright; Greg
Carr

(73) Assignee: **TRAXXAS, L.P.**, McKinney, TX (US)

(57) **CLAIM**

(**) Term: **15 Years**

We claim the ornamental design for a model vehicle light
assembly, as shown and described.

(21) Appl. No.: **29/811,190**

(22) Filed: **Oct. 12, 2021**

DESCRIPTION

(51) **LOC (14) Cl.** **21-01**

(52) **U.S. Cl.**
USPC **D21/548**; D21/561; D21/565

(58) **Field of Classification Search**
USPC D26/28; D12/159, 163, 164, 170, 171,
D12/172; D21/453, 495, 548, 552, 561,
D21/562, 565
CPC B60R 1/06; B60R 1/1207; A63H 17/262;
A63H 17/002; A63H 19/20
See application file for complete search history.

FIG. 1 is an upper, left, front perspective view of a model
vehicle light assembly showing our new design;
FIG. 2 is a front elevation view thereof;
FIG. 3 is a rear elevation view thereof;
FIG. 4 is a right side elevation view thereof;
FIG. 5 is a left side elevation view thereof;
FIG. 6 is an upper plan view thereof;
FIG. 7 is a lower plan view thereof;
FIG. 8 is a lower, right, rear perspective view thereof; and,
FIG. 9 is a lower, left, front perspective view of the model
vehicle light assembly.

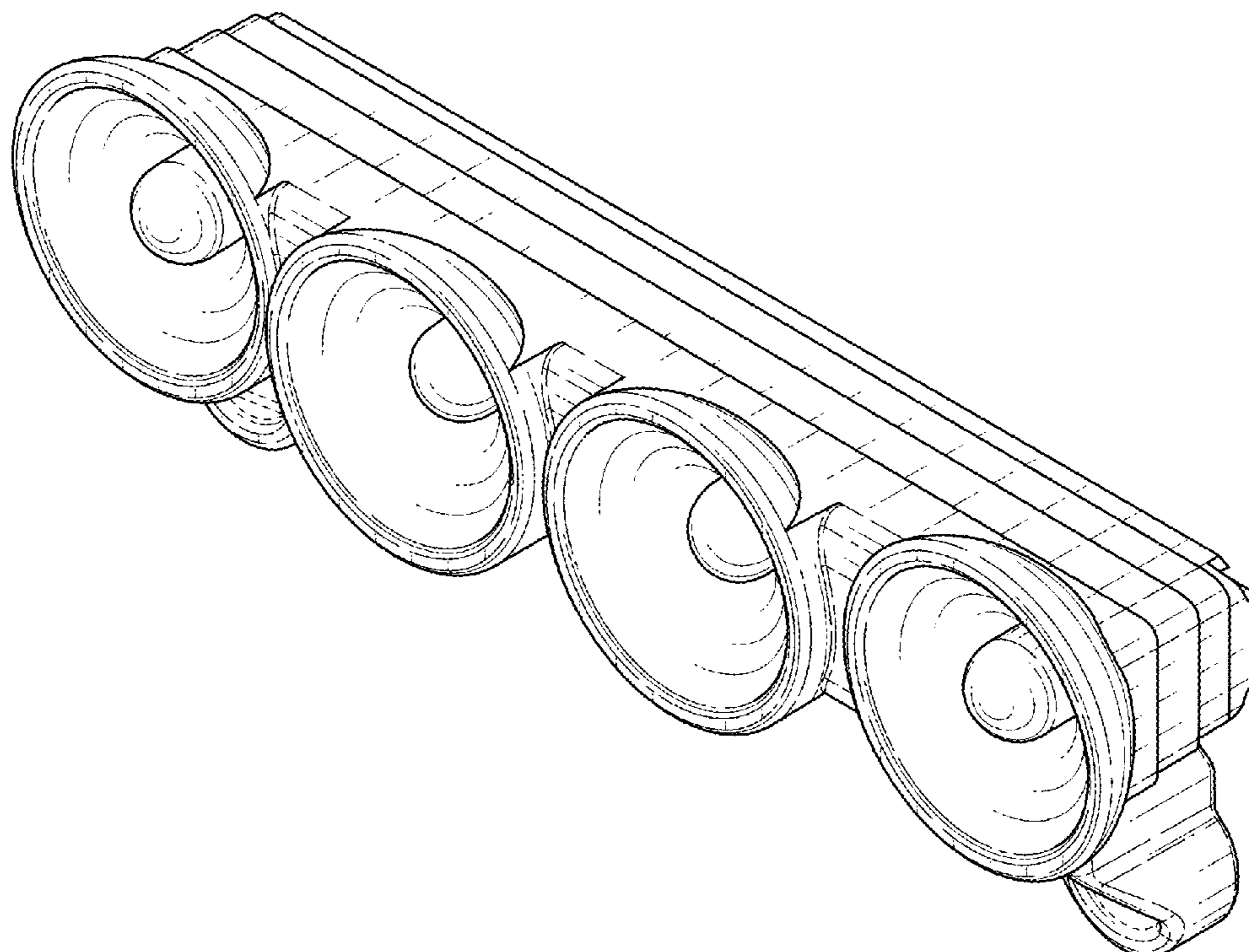
In the drawings, the broken lines illustrate portions of the
model vehicle light assembly that form no part of the
claimed design.

(56) **References Cited**

U.S. PATENT DOCUMENTS

D780,964 S * 3/2017 Roach D26/28
D858,816 S * 9/2019 Ko D26/28

1 Claim, 6 Drawing Sheets



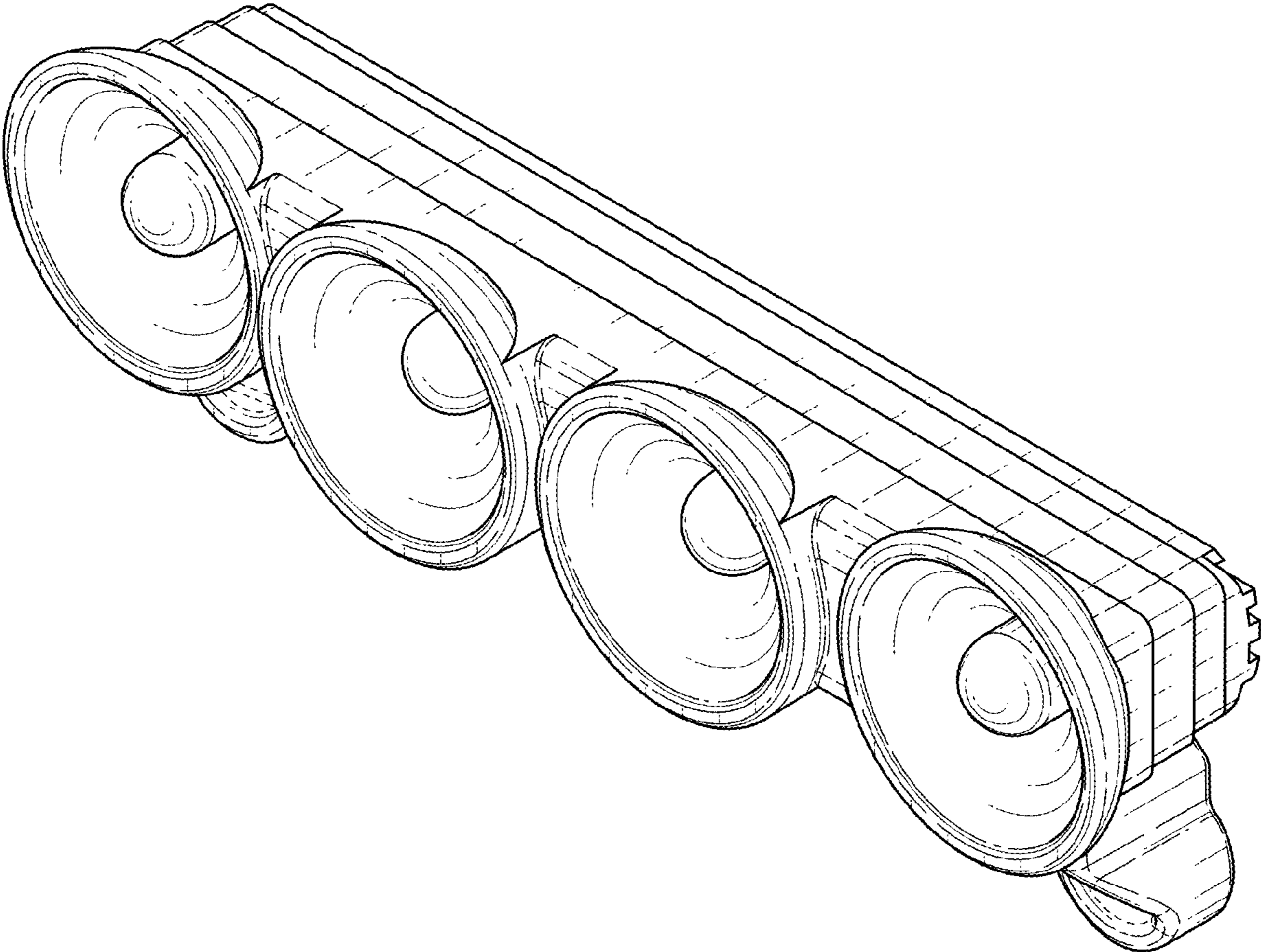


FIG. 1

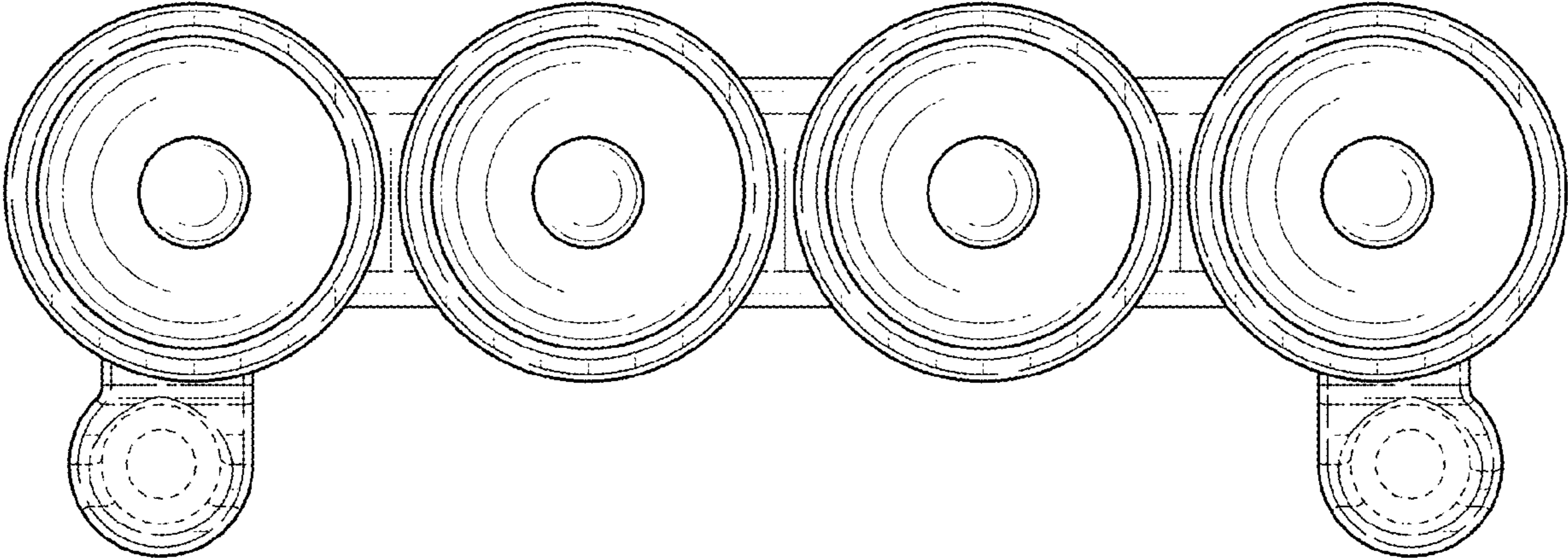


FIG. 2

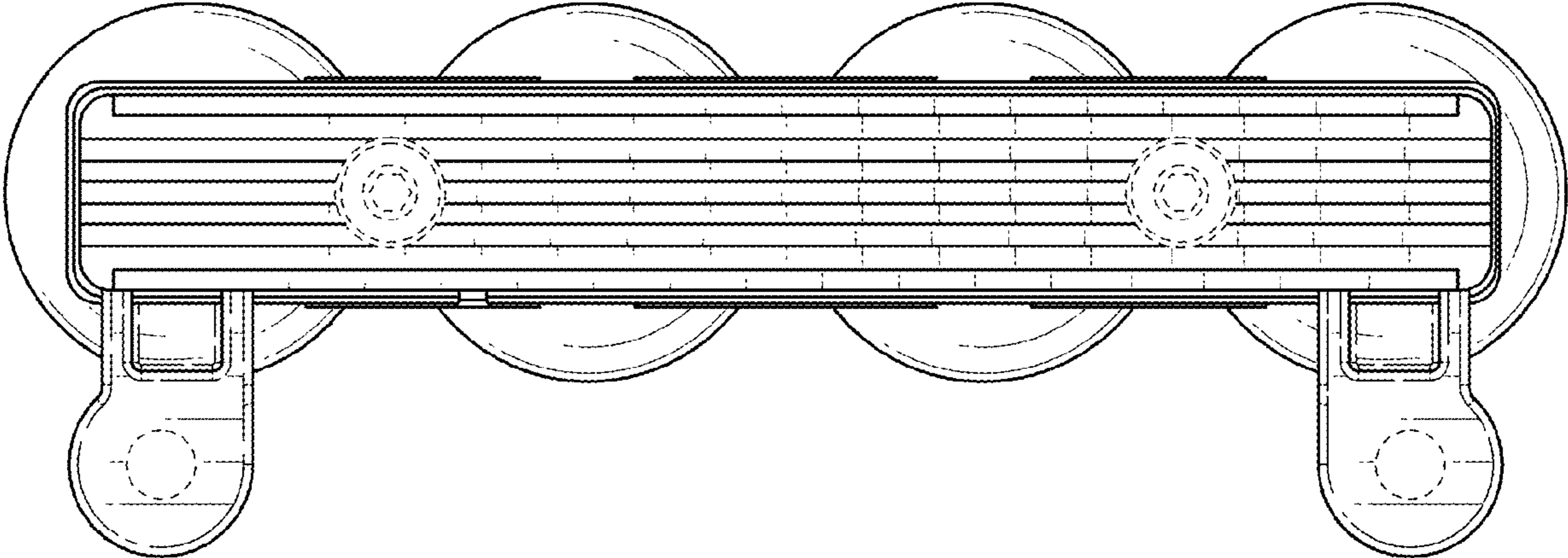


FIG. 3

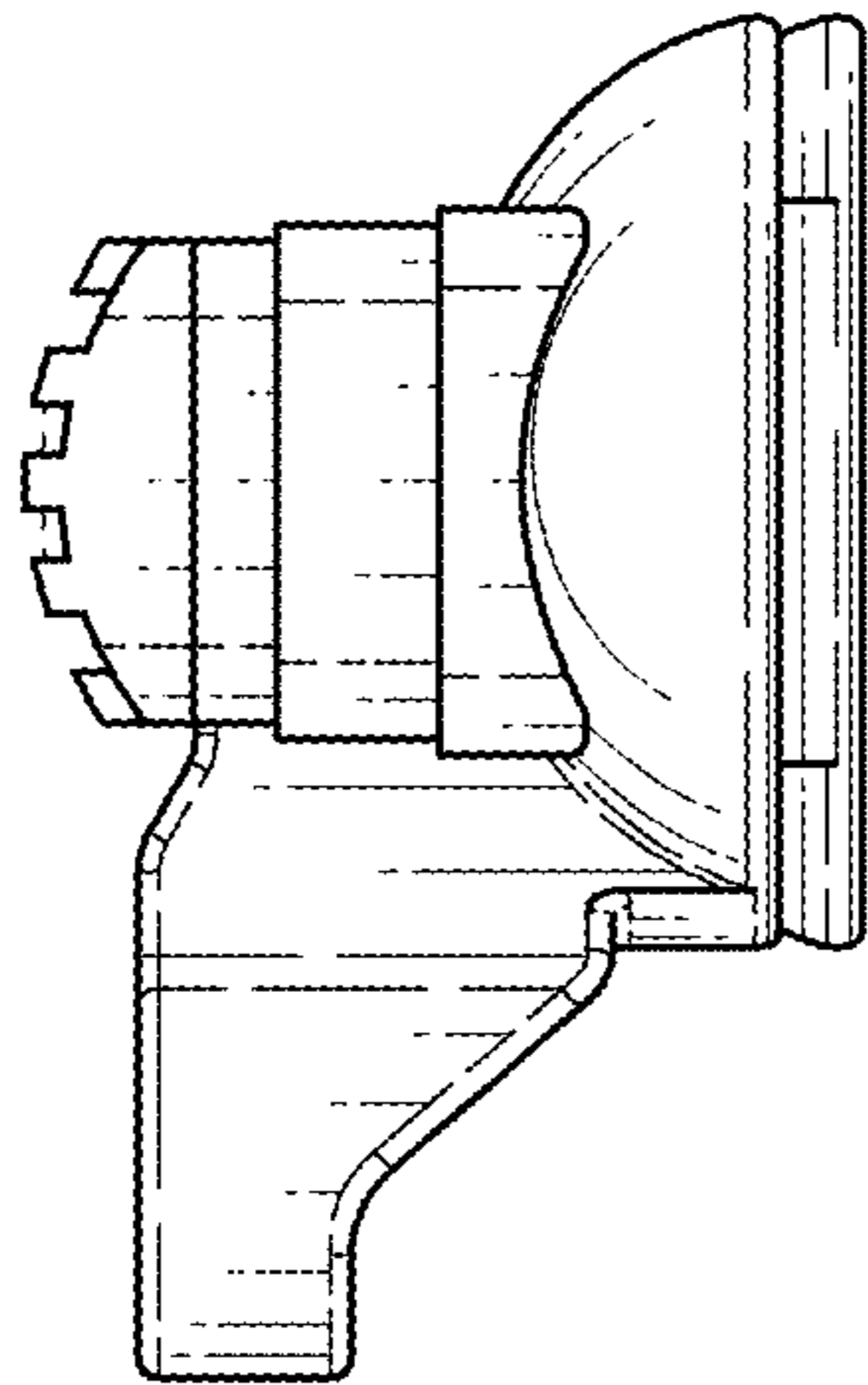


FIG. 4

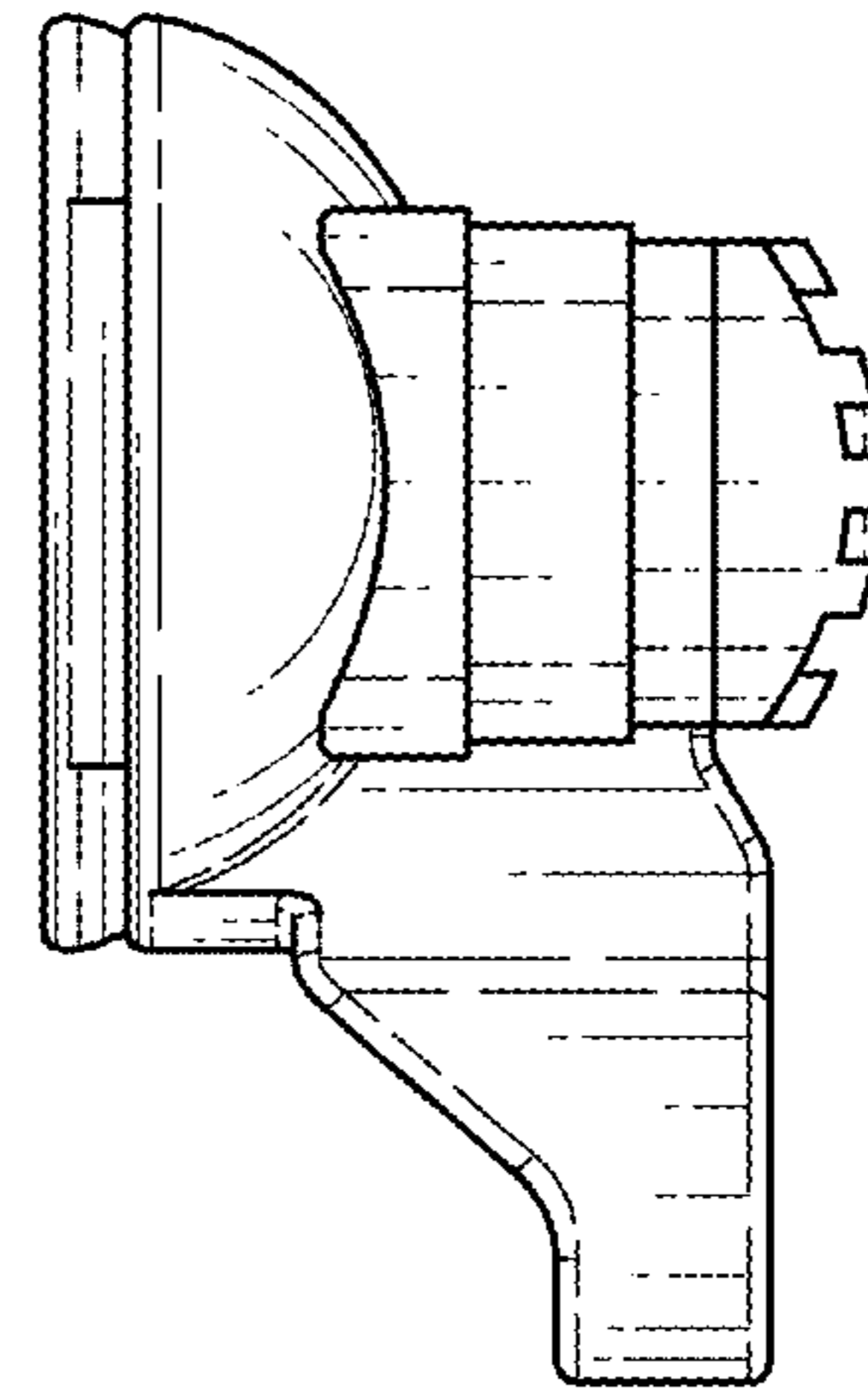


FIG. 5

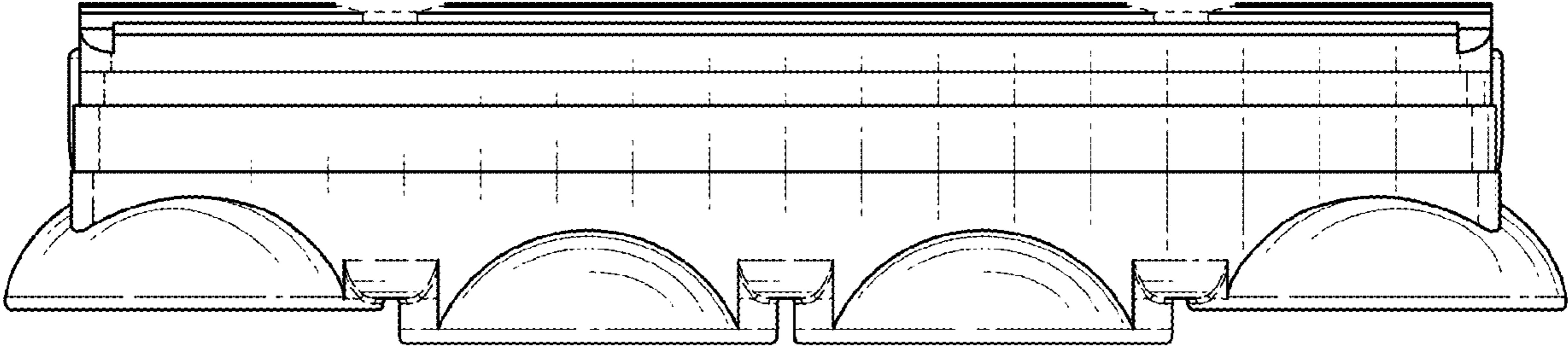


FIG. 6

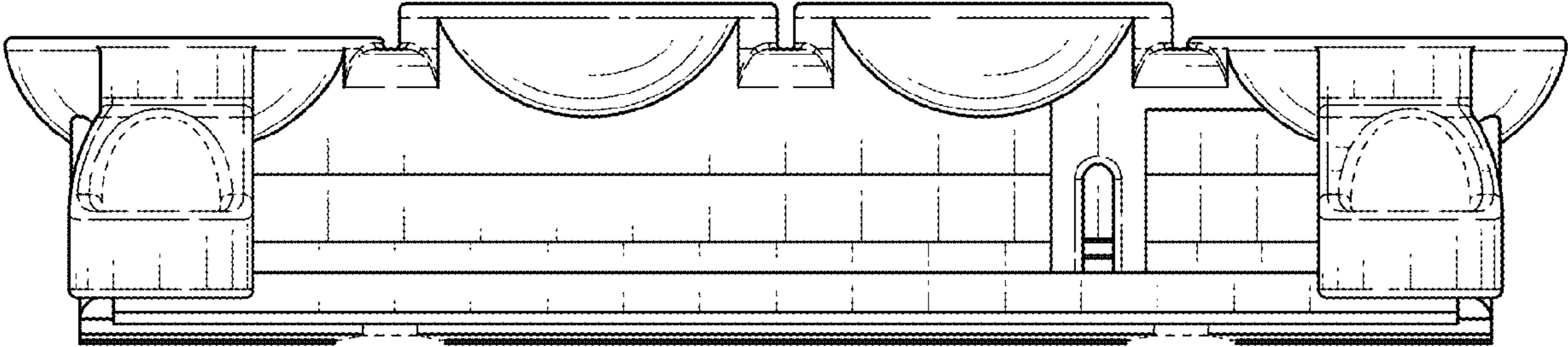


FIG. 7

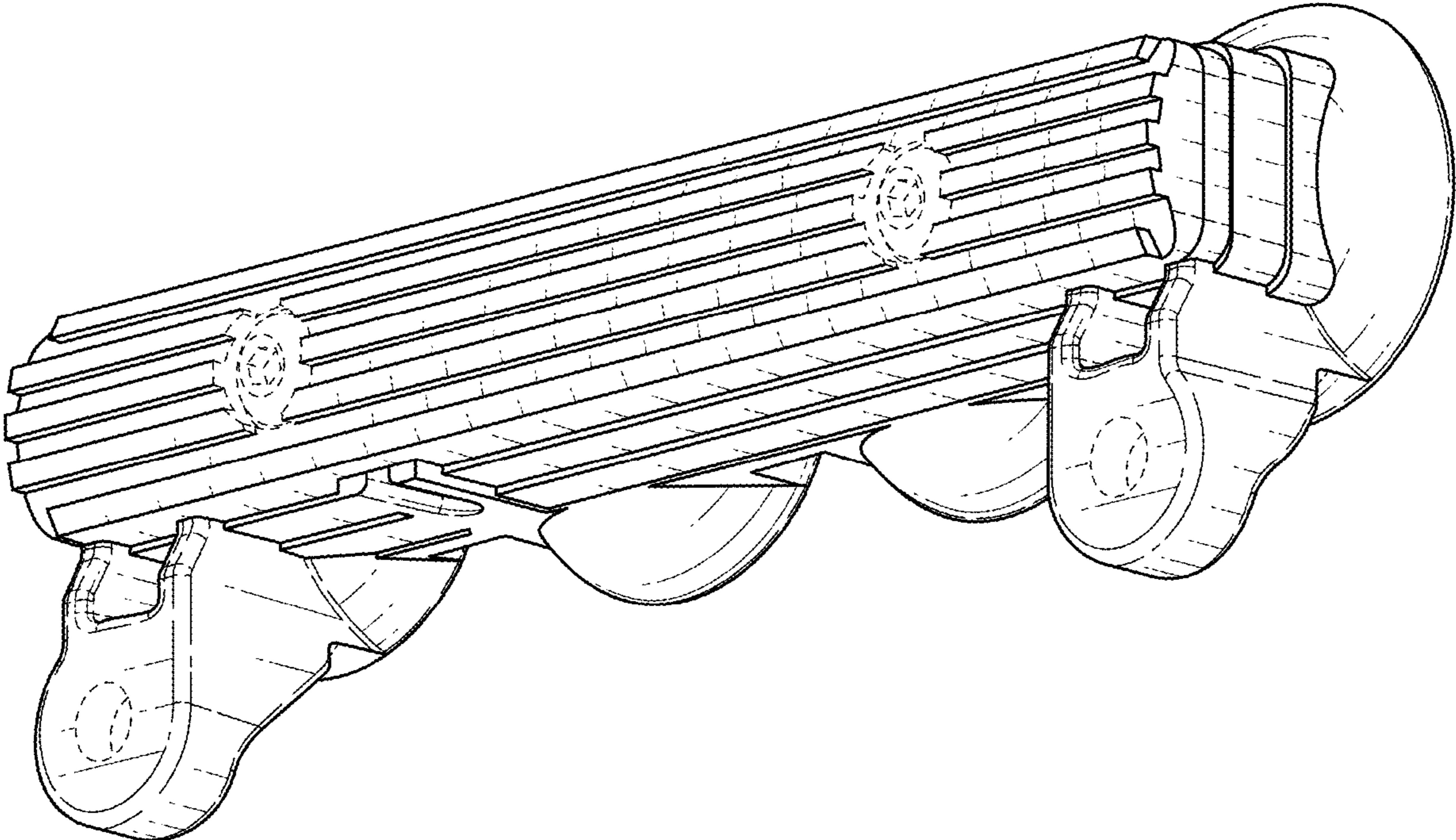


FIG. 8

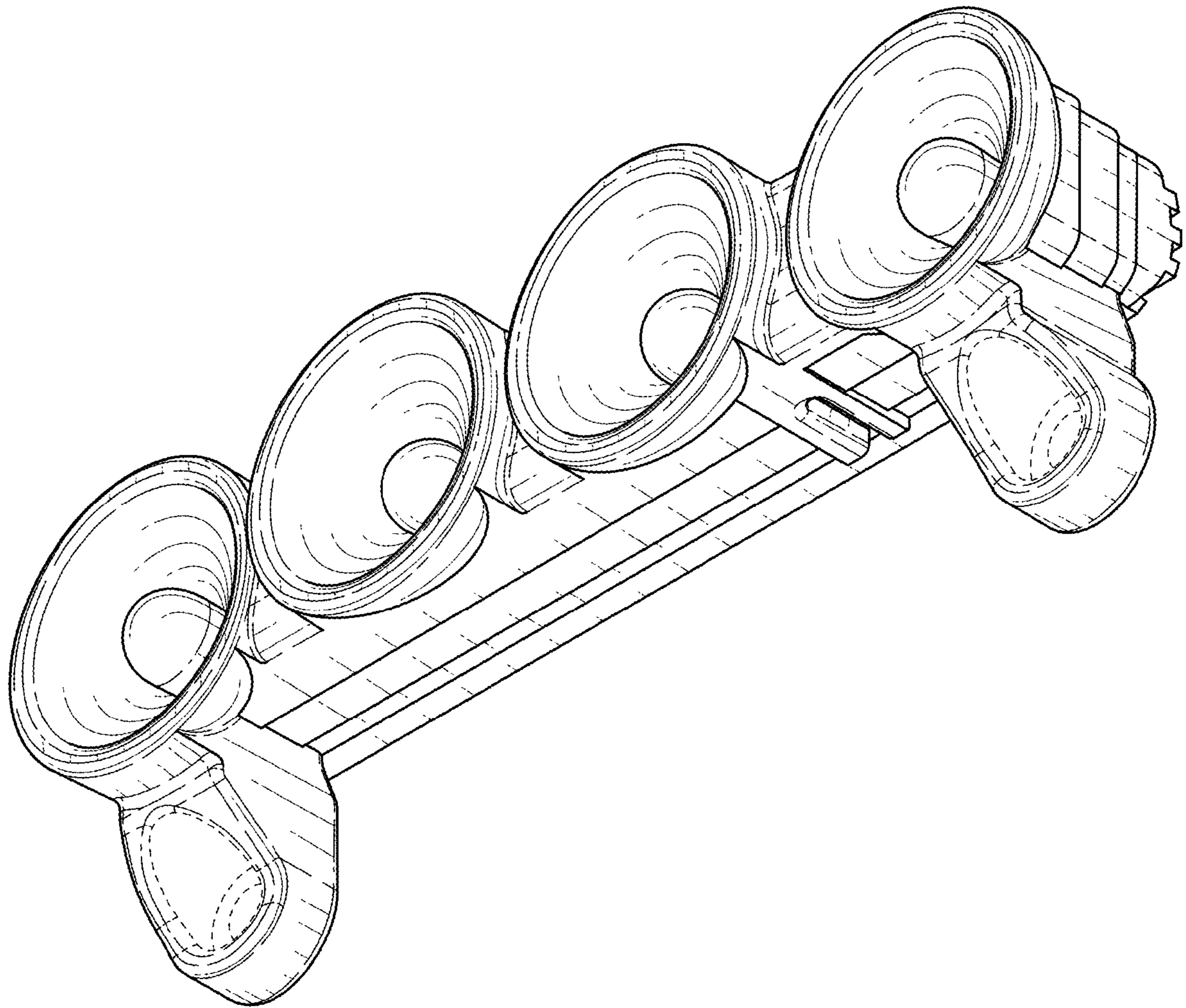


FIG. 9