



(12) **United States Design Patent**  
**Blakey**

(10) **Patent No.:** **US D999,795 S**  
(45) **Date of Patent:** **\*\* Sep. 26, 2023**

- (54) **TWENTY-ONE CUBE MOLD**
- (71) Applicant: **Occam Ventures LLC**, Hingham, MA (US)
- (72) Inventor: **James Blakey**, Hingham, MA (US)
- (73) Assignee: **Occam Ventures LLC**, Hingham, MA (US)
- (\*\*) Term: **15 Years**
- (21) Appl. No.: **29/876,365**
- (22) Filed: **May 19, 2023**
- (51) **LOC (14) Cl.** ..... **15-07**
- (52) **U.S. Cl.**  
USPC ..... **D15/90**
- (58) **Field of Classification Search**  
USPC ..... D15/89, 90  
CPC ..... F25C 1/24; F25C 1/04; F25C 5/22; F25C 1/243; F25C 2400/06; F25C 5/185; F25C 2700/12  
See application file for complete search history.

- D857,766 S \* 8/2019 Tseng ..... D15/90
- D887,460 S \* 6/2020 Sendowski ..... D15/90
- D906,379 S \* 12/2020 Sendowski ..... D15/90
- D910,090 S \* 2/2021 Chen ..... D15/90
- D983,847 S \* 4/2023 Suo ..... D15/90

\* cited by examiner

*Primary Examiner* — Khawaja Anwar

(57) **CLAIM**

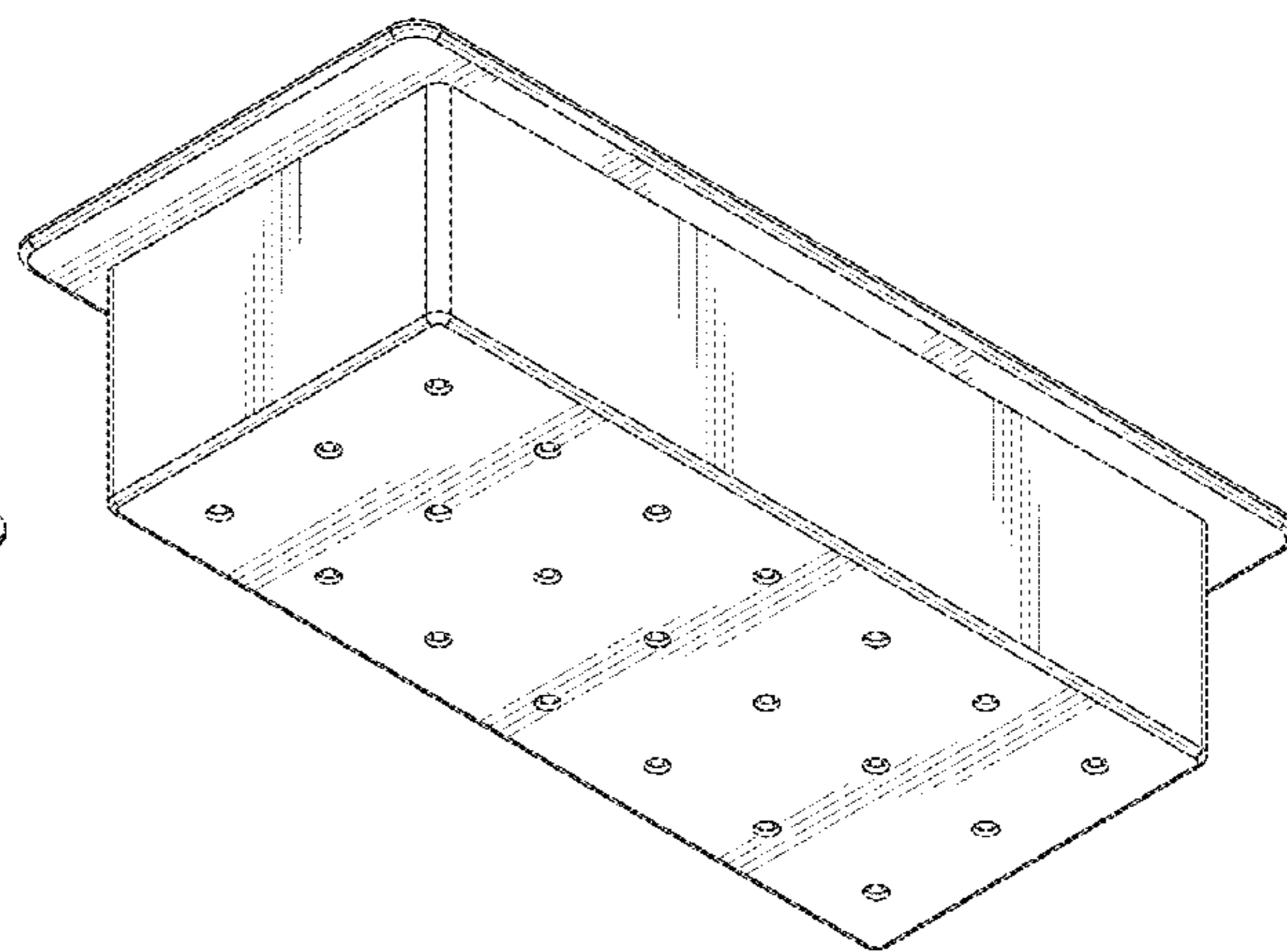
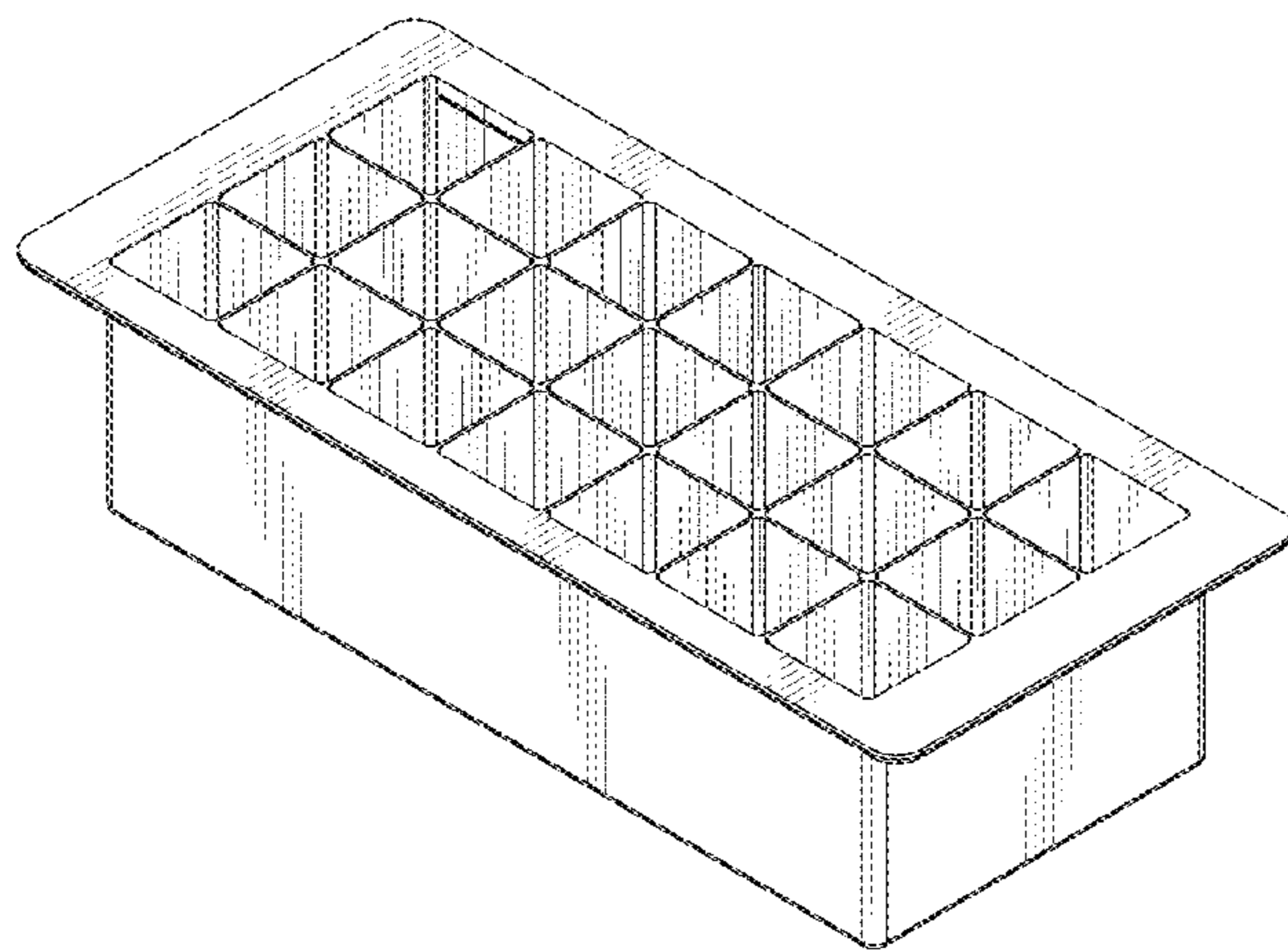
The ornamental design for a twenty-one cube mold, as shown and described.

**DESCRIPTION**

FIG. 1 is a top front right perspective view of a twenty-one cube mold showing my new design;  
 FIG. 2 is a bottom rear left perspective view thereof;  
 FIG. 3 is a front elevational view thereof;  
 FIG. 4 is a rear elevational view thereof;  
 FIG. 5 is a right elevational view thereof;  
 FIG. 6 is a left elevational view thereof;  
 FIG. 7 is a top plan view thereof;  
 FIG. 8 is a bottom plan view thereof;  
 FIG. 9 is a cross sectional view taken along line 9-9 in FIG. 4; and,  
 FIG. 10 is a close-up view taken along line 10-10 in FIG. 9.

**1 Claim, 10 Drawing Sheets**

- (56) **References Cited**  
U.S. PATENT DOCUMENTS  
D636,412 S \* 4/2011 Misse ..... D15/90  
D759,735 S \* 6/2016 Tsai ..... D15/90



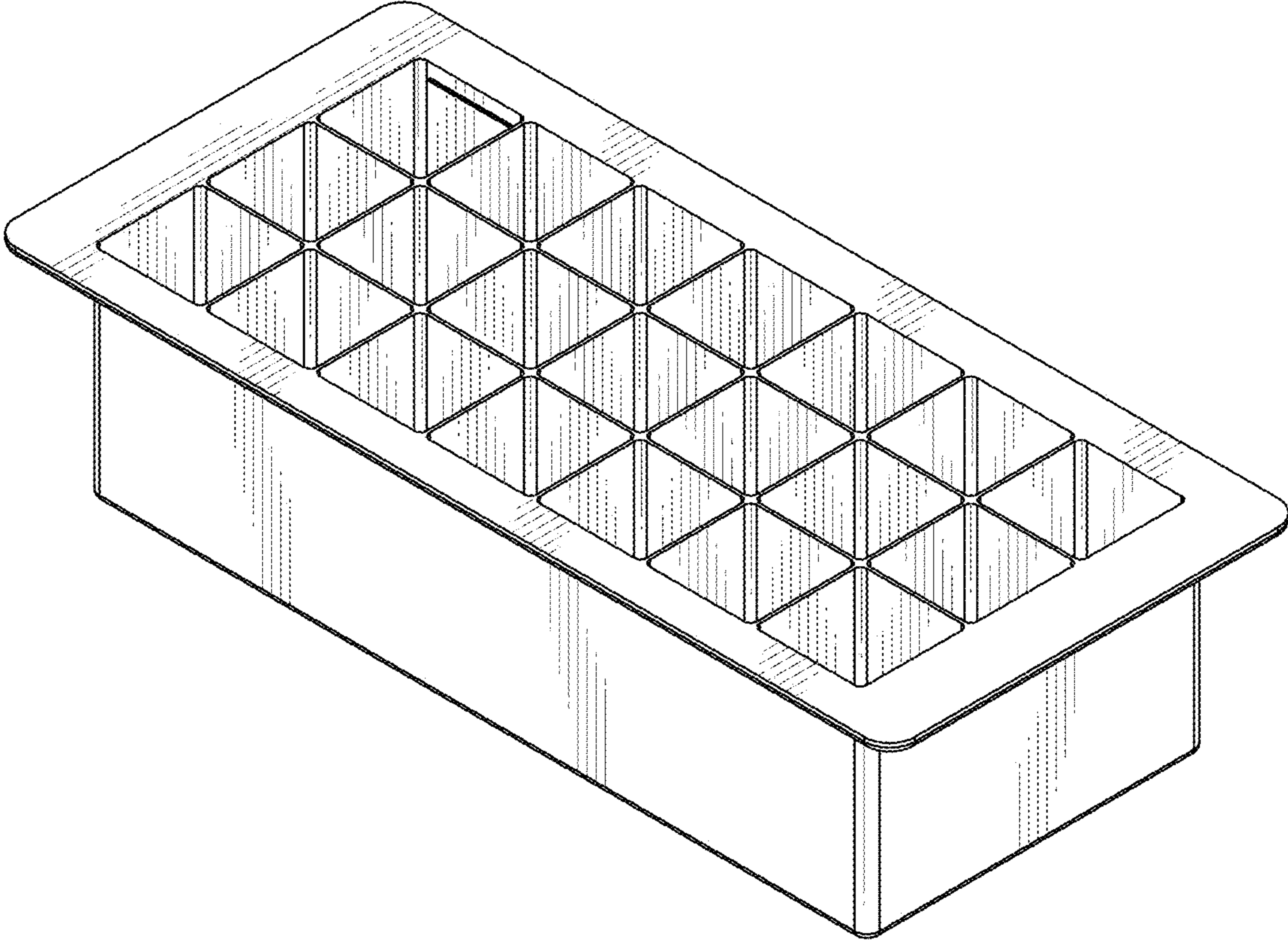


FIG. 1

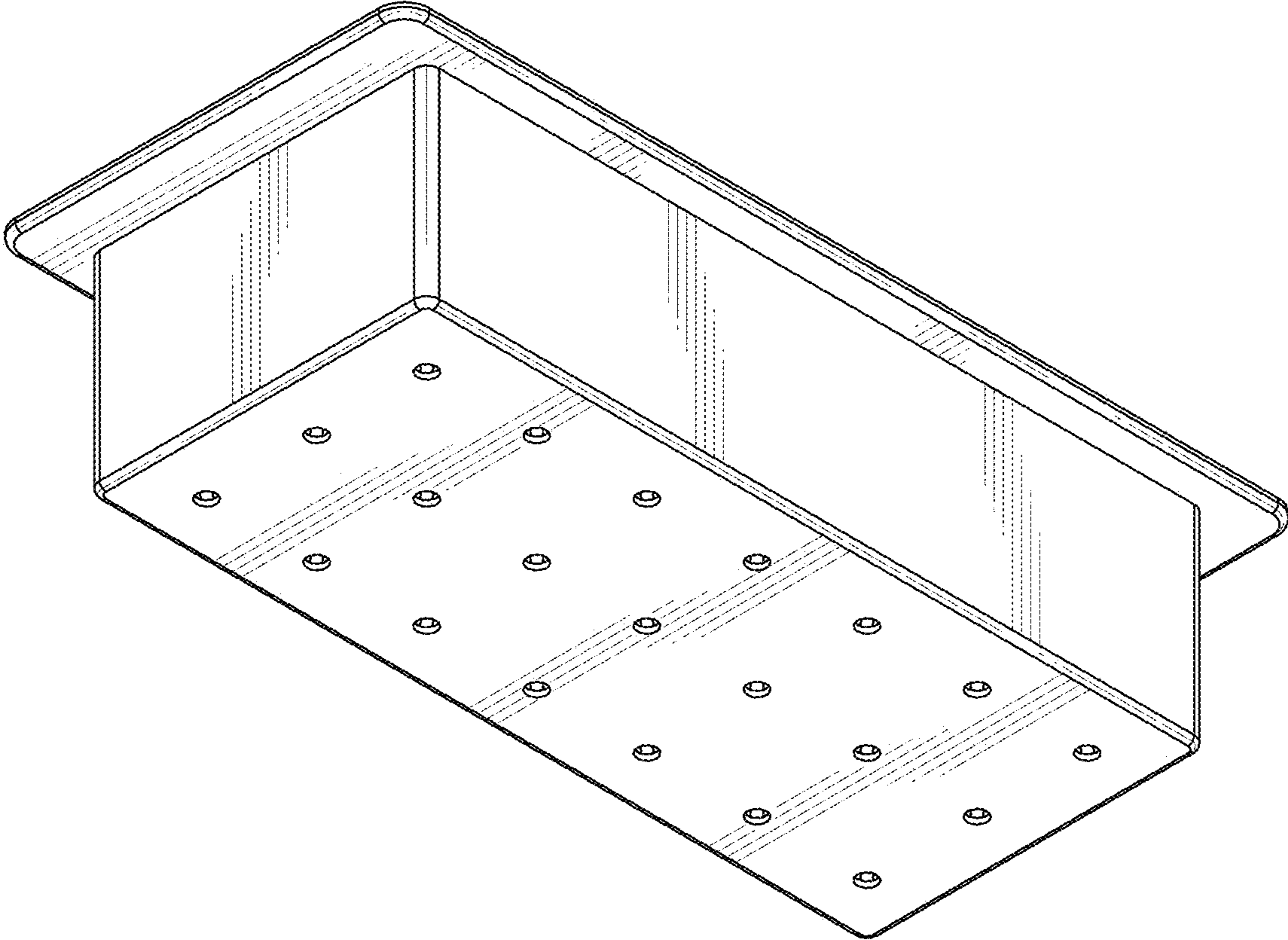


FIG. 2

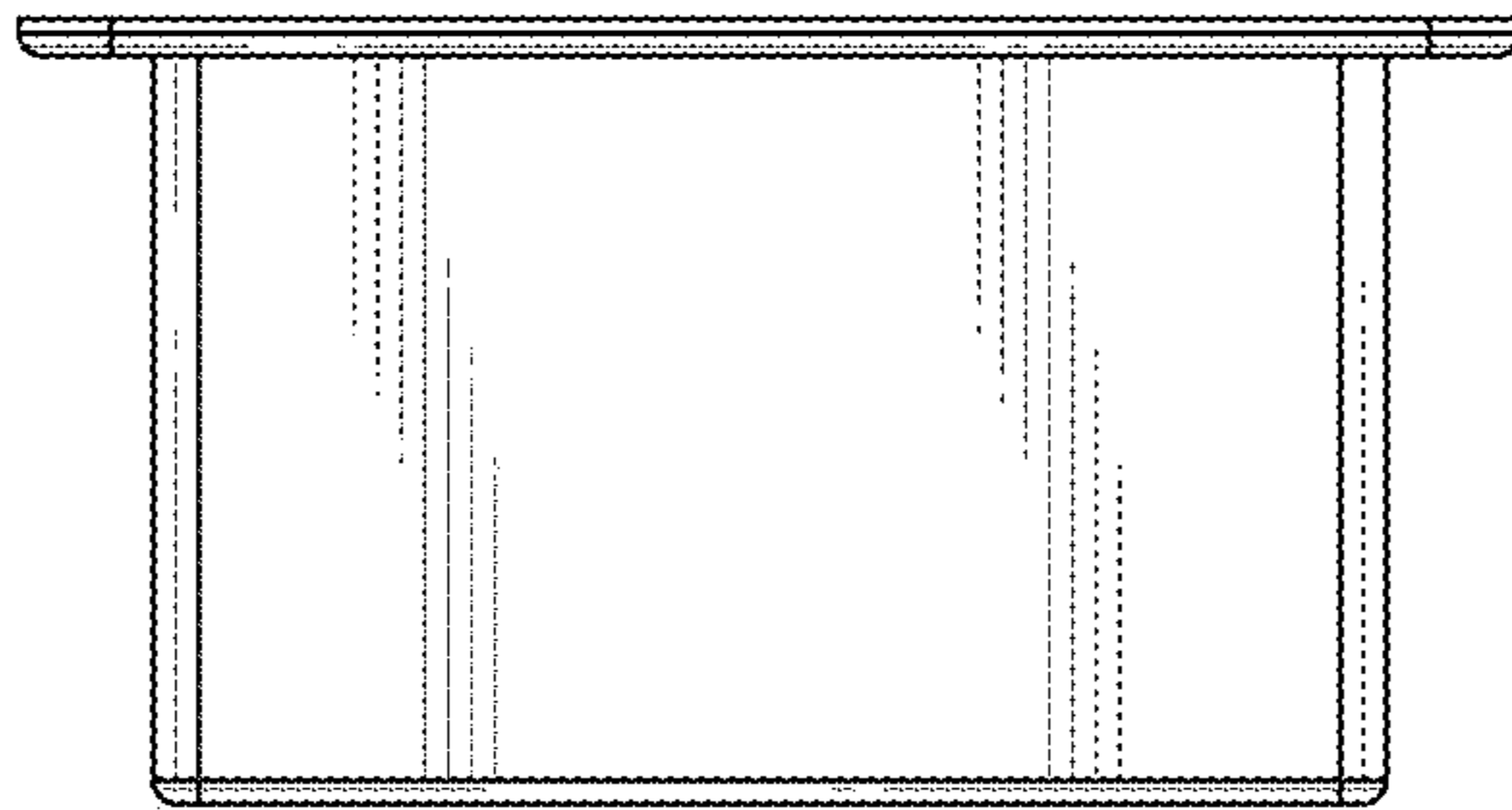


FIG. 3

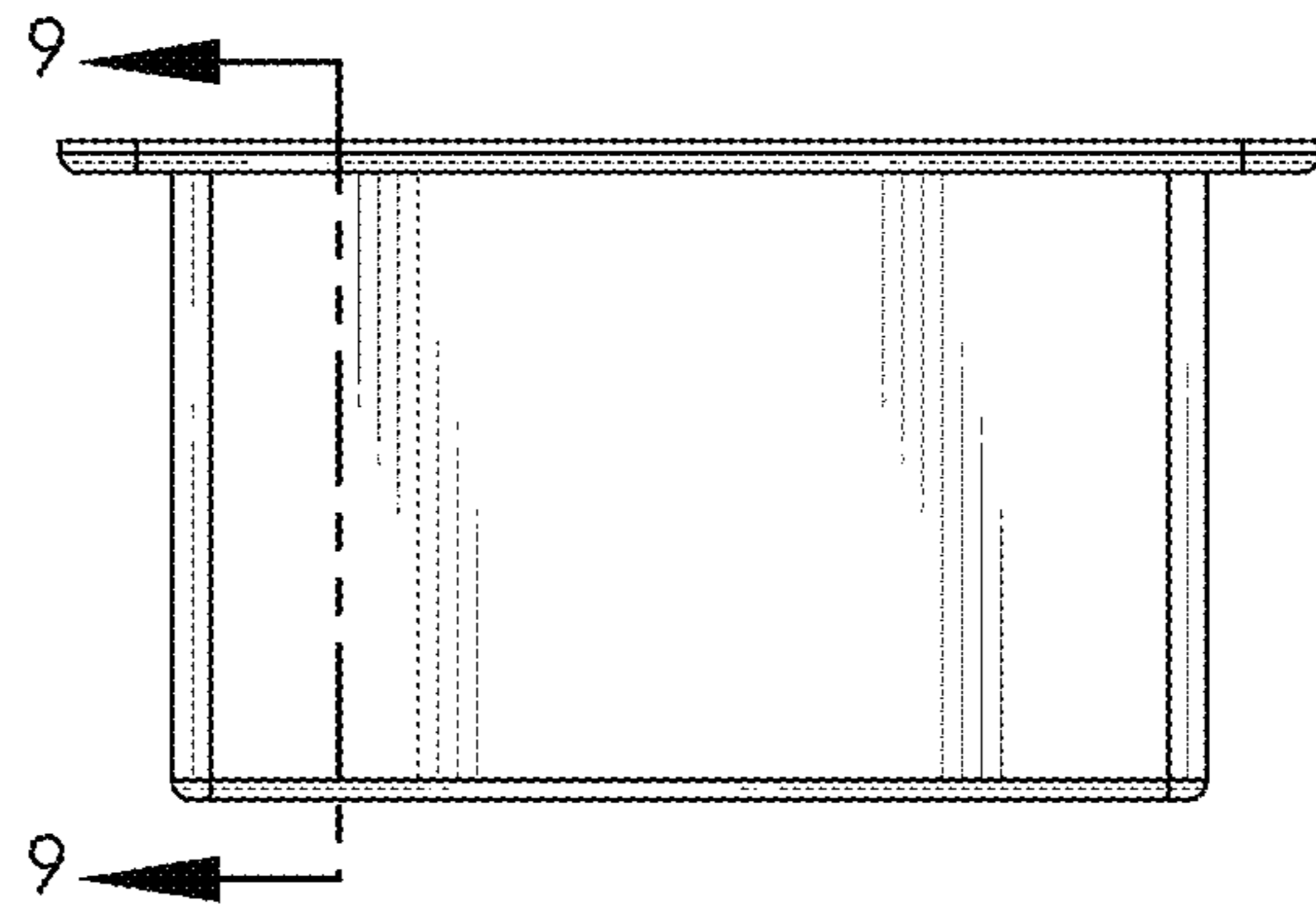


FIG. 4

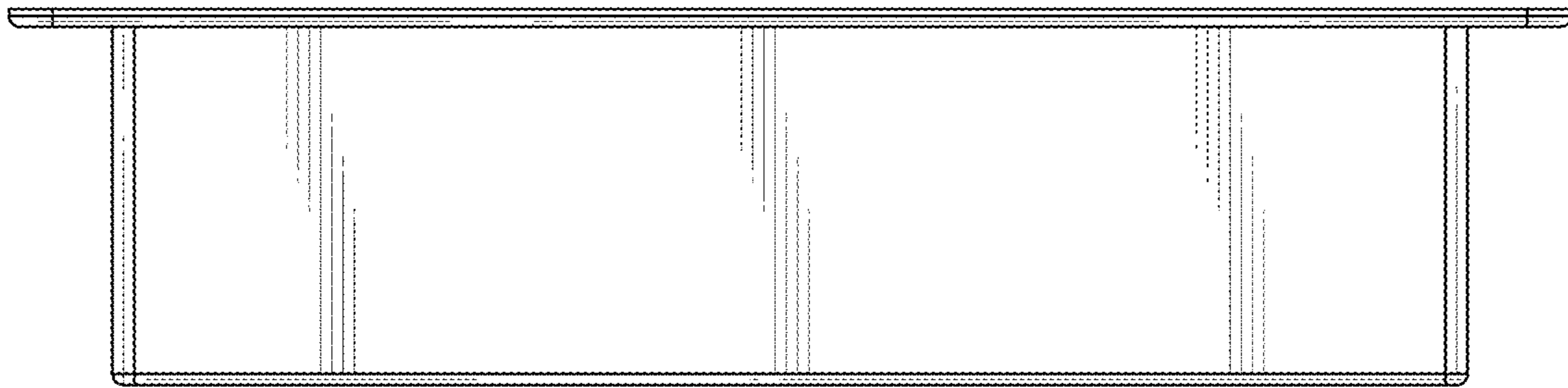


FIG. 5

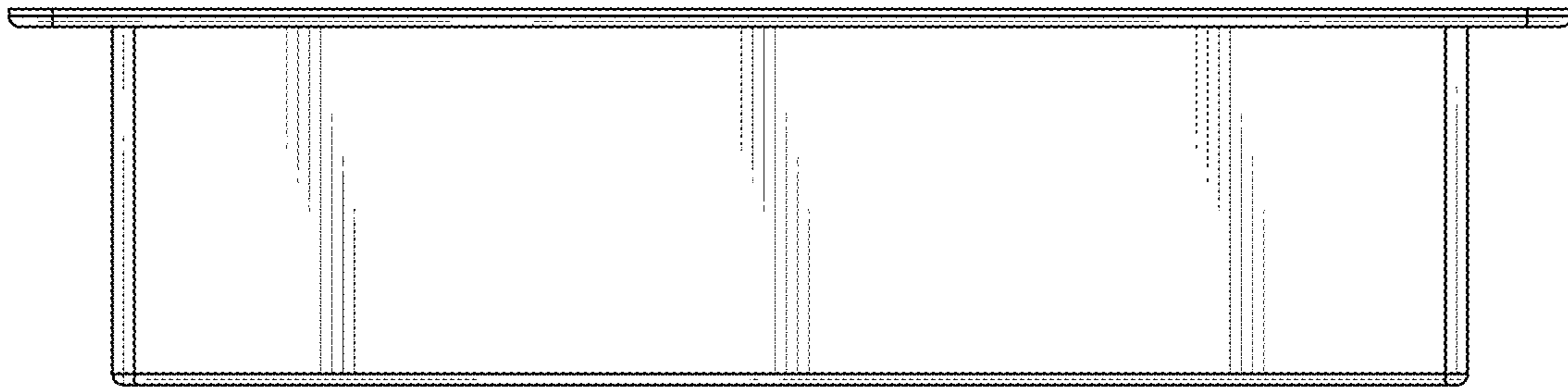


FIG. 6

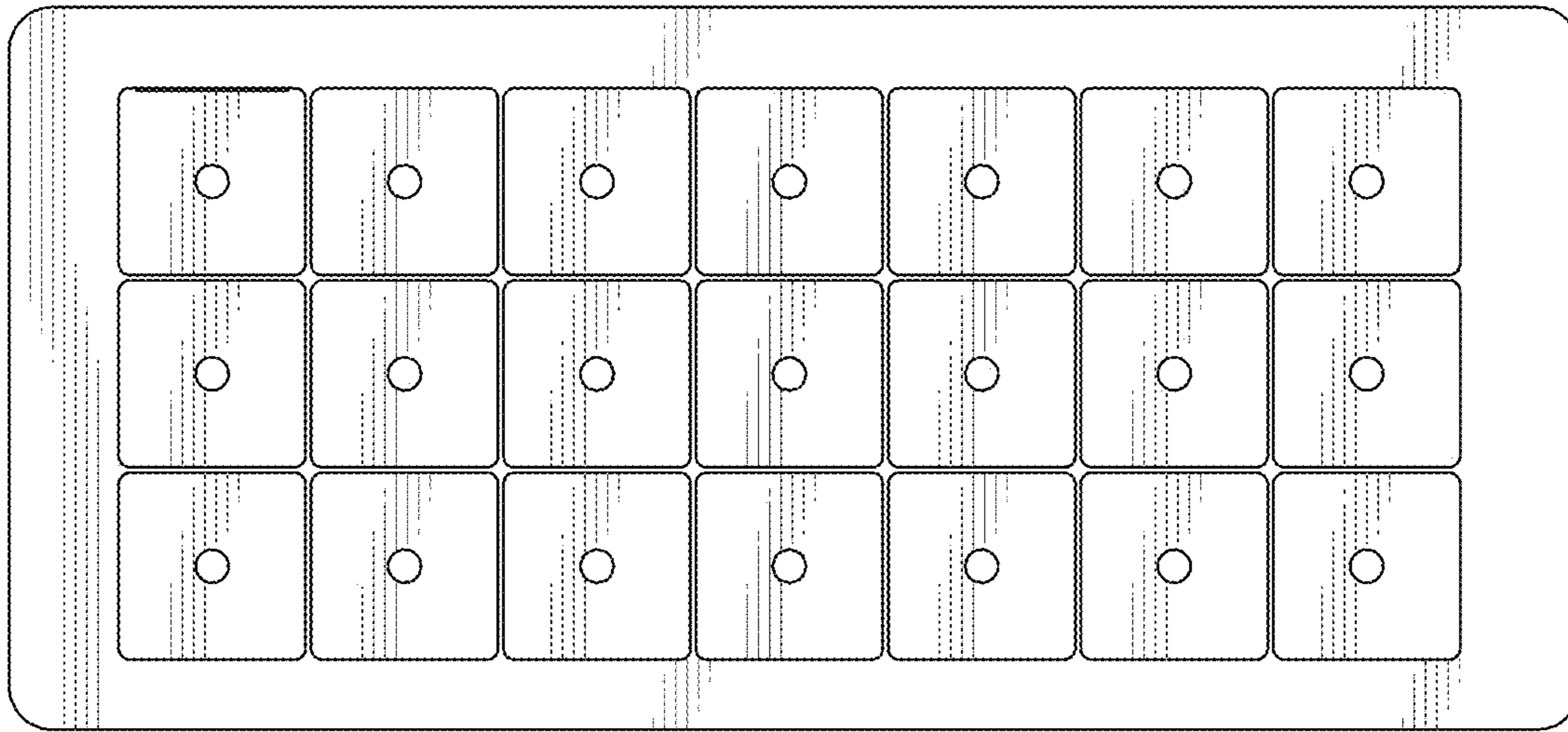


FIG. 7



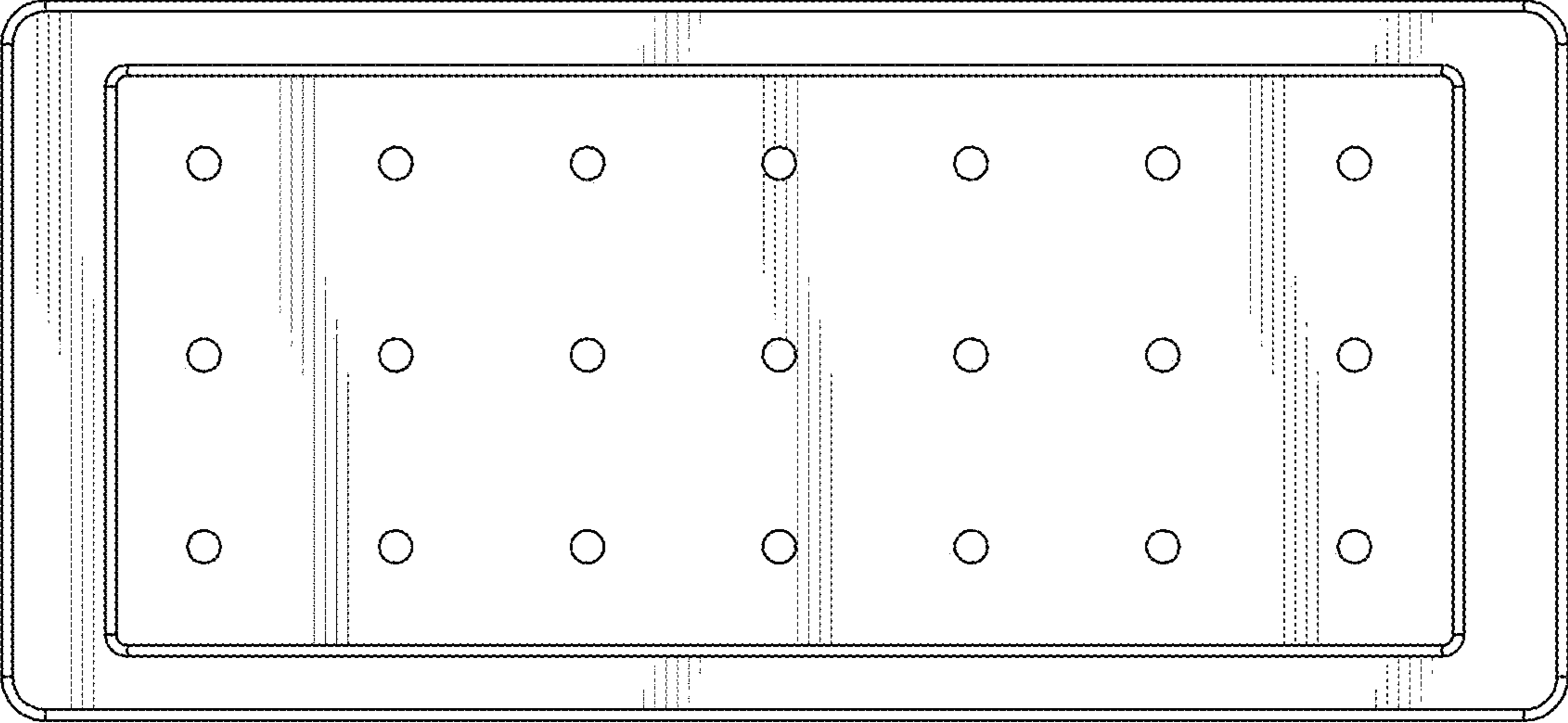


FIG. 8

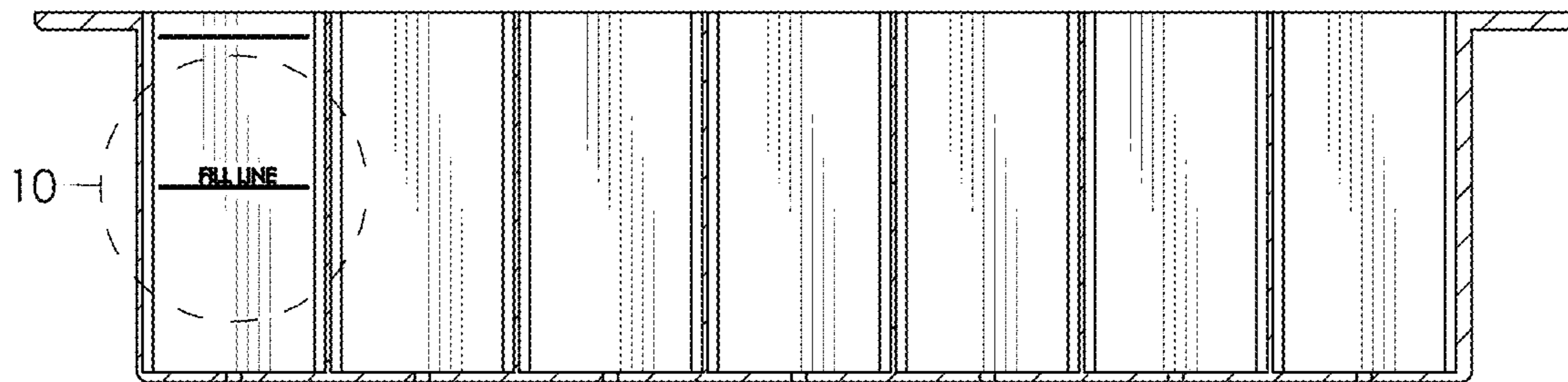


FIG. 9

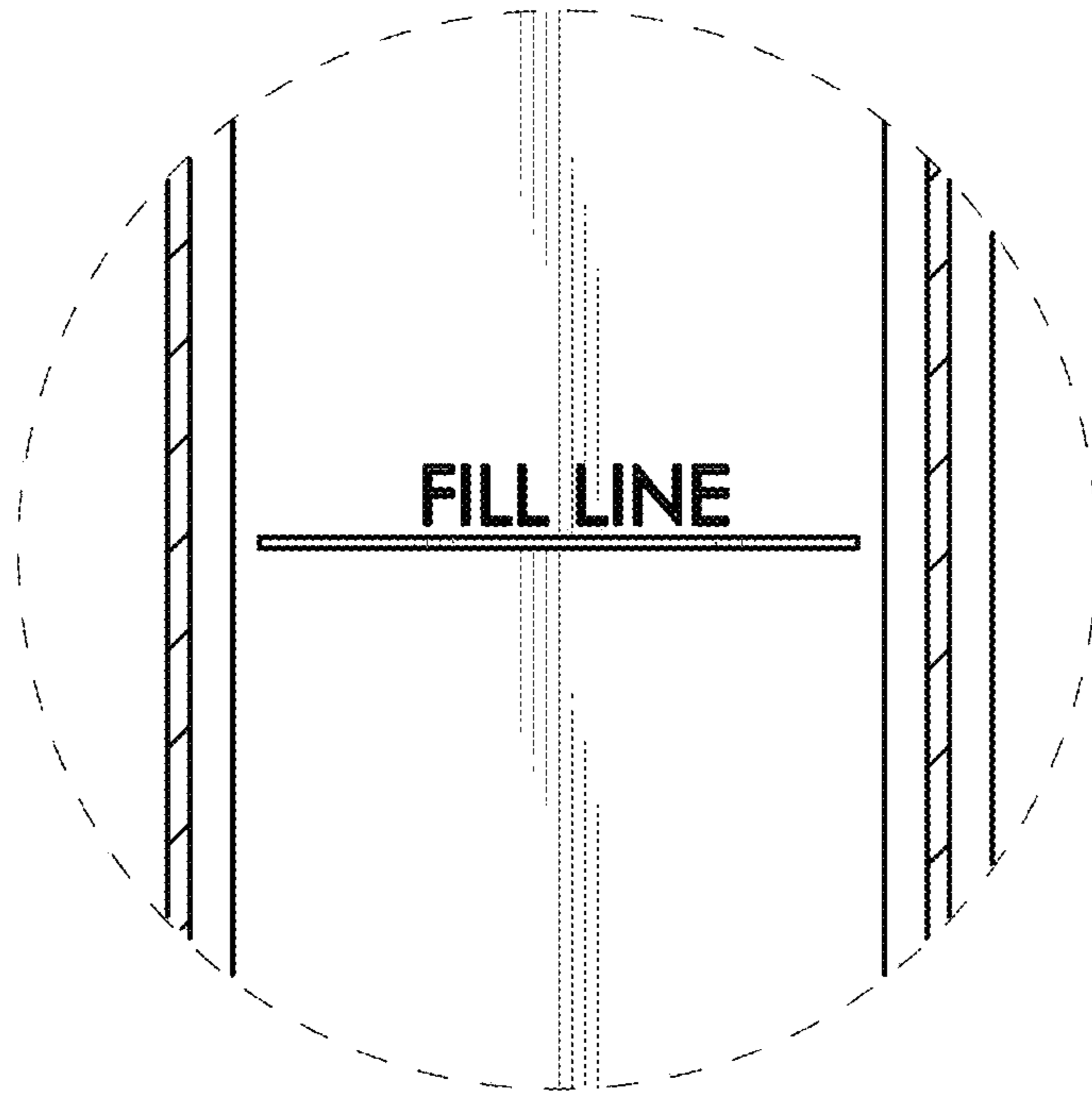


FIG. 10