



US00D999794S

(12) **United States Design Patent**
Long

(10) **Patent No.:** **US D999,794 S**

(45) **Date of Patent:** **** Sep. 26, 2023**

(54) **CAR REFRIGERATOR**

(71) Applicant: **Keyu Long**, Foshan (CN)

(72) Inventor: **Keyu Long**, Foshan (CN)

(**) Term: **15 Years**

(21) Appl. No.: **29/873,811**

(22) Filed: **Apr. 7, 2023**

Related U.S. Application Data

(63) Continuation of application No. 29/792,606, filed on Apr. 8, 2022.

(51) **LOC (14) Cl.** **15-07**

(52) **U.S. Cl.**
USPC **D15/79**; D15/81

(58) **Field of Classification Search**
USPC D15/79-91; D7/347; D24/163, 217,
D24/232, 231; D12/422
CPC F25D 2323/021; F25D 2323/024; F25D
29/00; F25D 27/005; F25D 29/005; F25D
17/042; F25D 2325/021; F25D 11/00;
F25D 11/02; F25D 11/025; F25D 23/00;
F25D 23/02; F25D 23/04; F25D 23/12;
F25D 23/028; F25D 25/02; F25D 25/021;
F25D 25/022; F25D 25/024; F25D
25/025

See application file for complete search history.

(56) **References Cited**

U.S. PATENT DOCUMENTS

D252,540 S * 8/1979 Murphy D12/419
D264,527 S * 5/1982 Kato D3/282
D351,824 S * 10/1994 Bednar D12/423
D398,816 S * 9/1998 Koutsouflakis D7/605
D523,290 S * 6/2006 Krieger D7/605
D653,605 S * 2/2012 Stroud D12/425
D703,007 S * 4/2014 McCarthy D7/605
D915,474 S * 4/2021 Yeo F25D 25/025
D15/79

D925,617 S * 7/2021 Yeo F25D 25/025
D15/79
D955,446 S * 6/2022 Lin D15/79
D964,110 S * 9/2022 Ellison D7/605
D964,436 S 9/2022 Yang et al.
D965,034 S * 9/2022 Deng D15/81
D973,112 S * 12/2022 Rizzi D15/79
D978,624 S * 2/2023 Hamilton D7/605
D991,870 S * 7/2023 Chen D12/425

OTHER PUBLICATIONS

RPM's Tesla Accessories, "Model Y Refrigerator—Cargo Bay Side Pocket Drop in Fridge", (posted Feb. 12, 2023), YouTube.com, URL:<<https://www.youtube.com/watch?v=Xnsu2-V8v2s>> (Year: 2023).*

Pundy, Model Y Trunk Fridge, (first available Apr. 8, 2023), Amazon.com, URL:<<https://www.amazon.ca/Compatible-2019-2023-Refrigerator-Medicine-Storage/dp/B0C1VWWM2M>> (Year: 2023).*

* cited by examiner

Primary Examiner — Calvin E Vansant

Assistant Examiner — Mark T. Philipps

(57) **CLAIM**

The ornamental design for a car refrigerator, as shown and described.

DESCRIPTION

FIG. 1 is a front, top perspective view of a car refrigerator, showing my new design;

FIG. 2 is a rear, bottom perspective view thereof;

FIG. 3 is a front elevation view thereof;

FIG. 4 is a rear elevation view thereof;

FIG. 5 is a left side elevation view thereof;

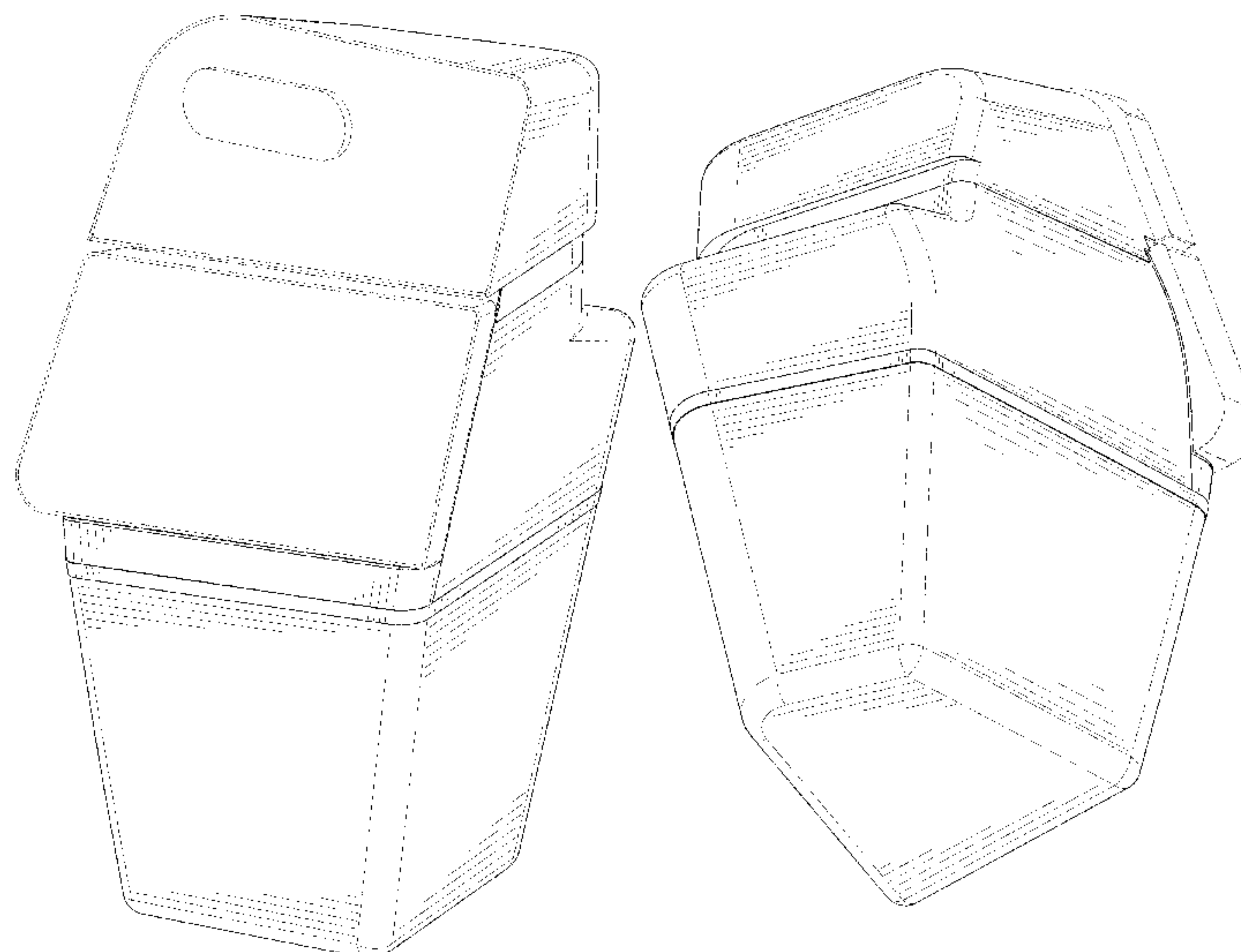
FIG. 6 is a right side elevation view thereof;

FIG. 7 is a top plan view thereof; and,

FIG. 8 is a bottom plan view thereof.

The broken lines in the figures illustrate portions of the car refrigerator that form no part of the claimed design.

1 Claim, 8 Drawing Sheets



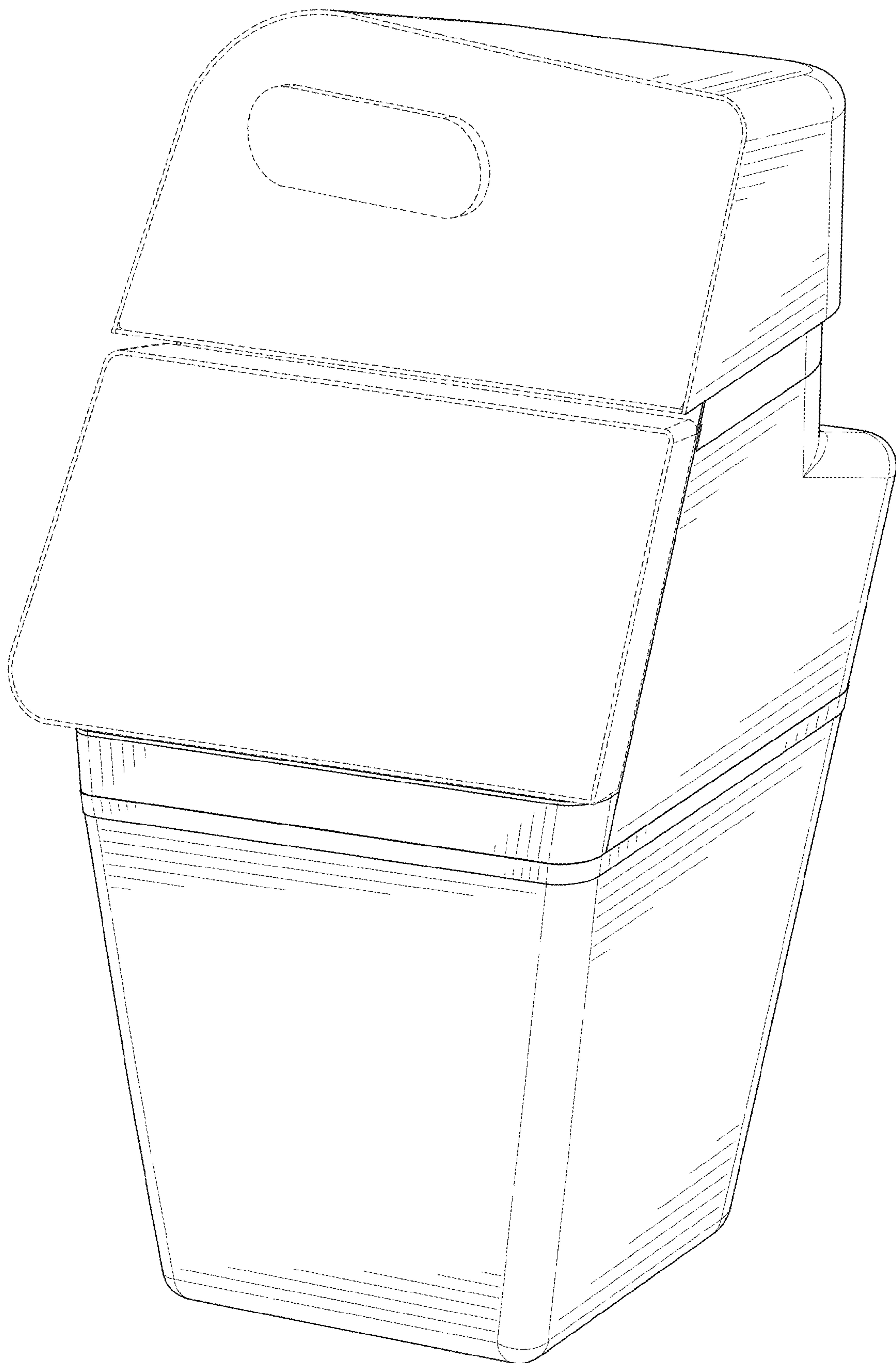


FIG. 1

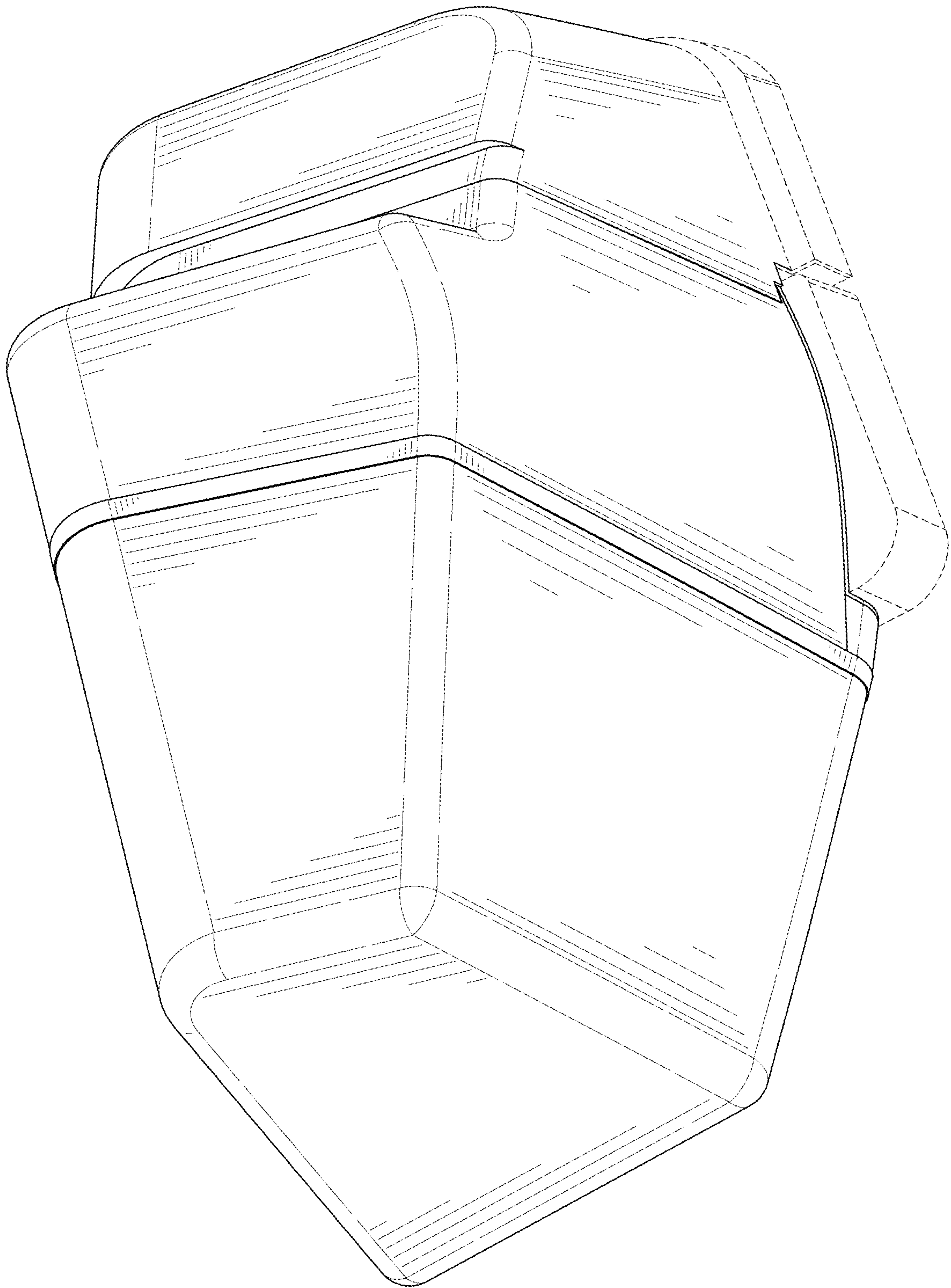


FIG. 2

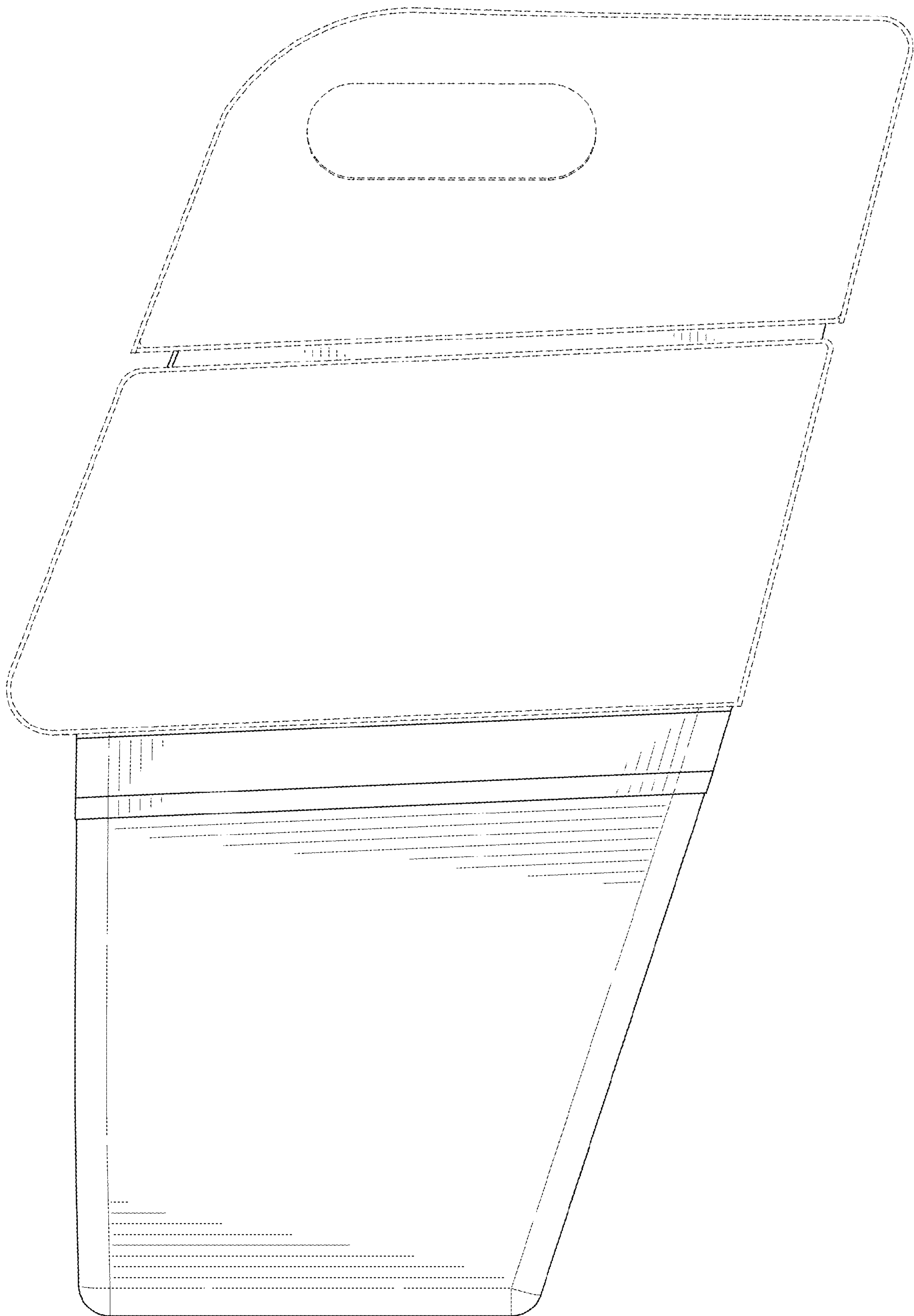


FIG. 3

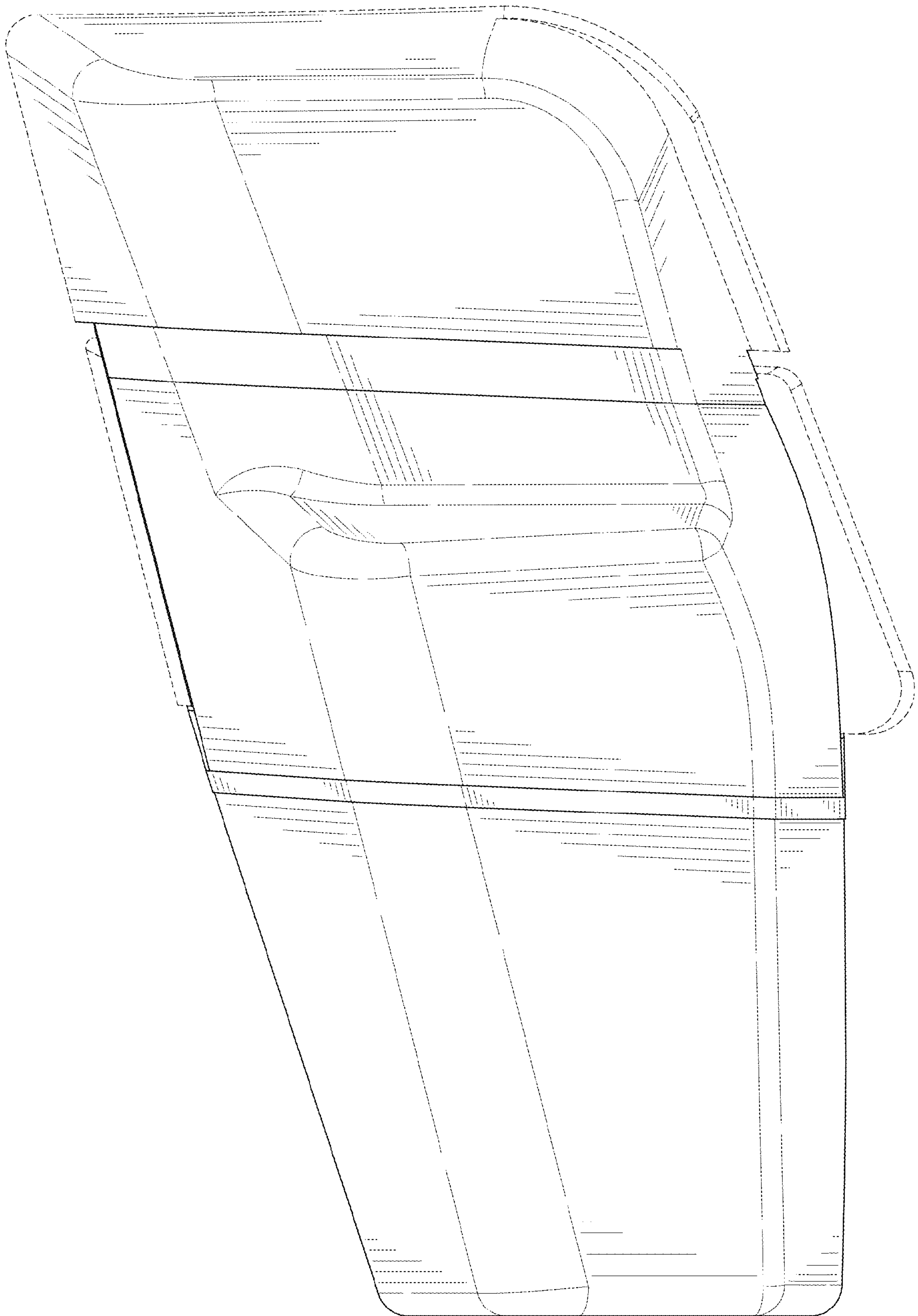


FIG. 4

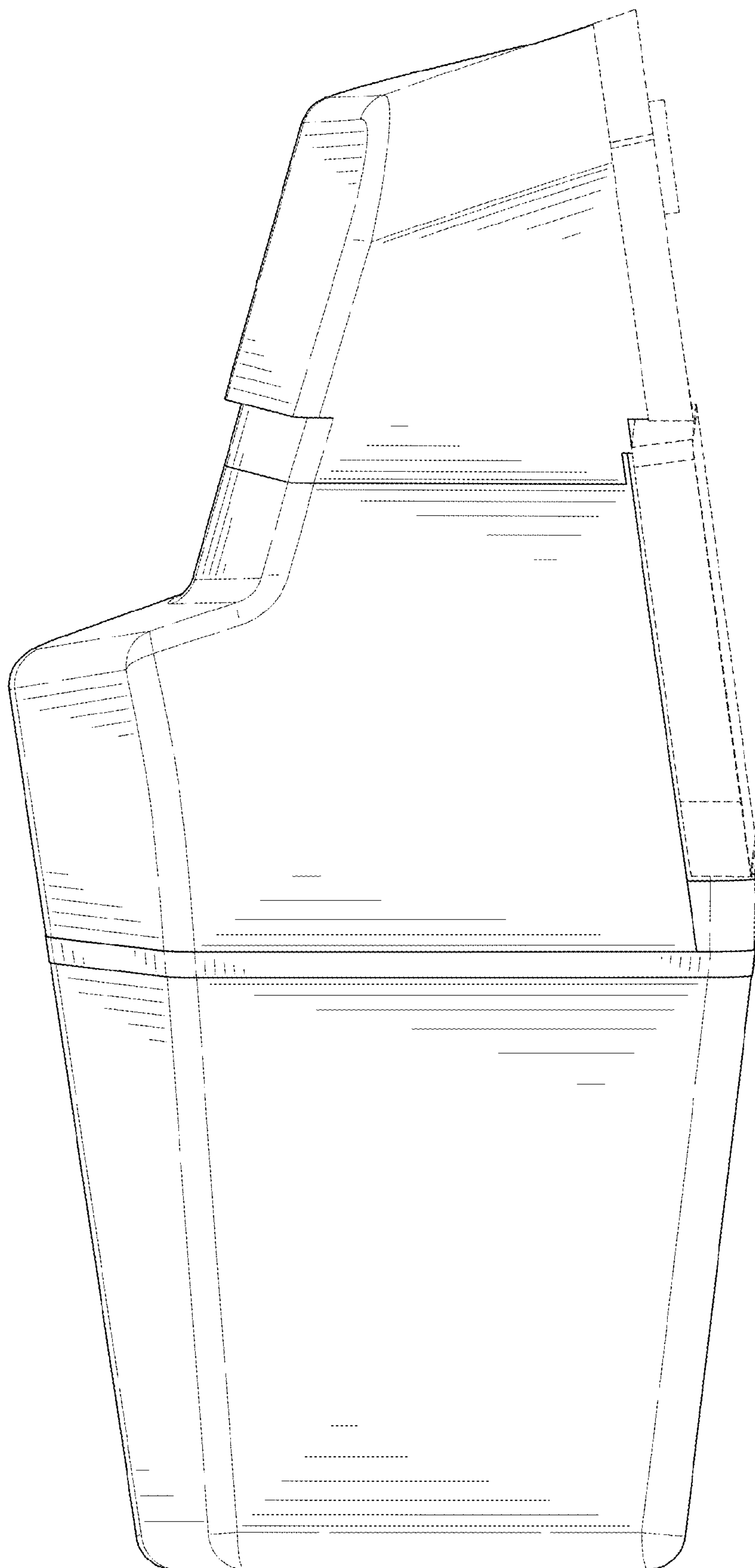


FIG. 5

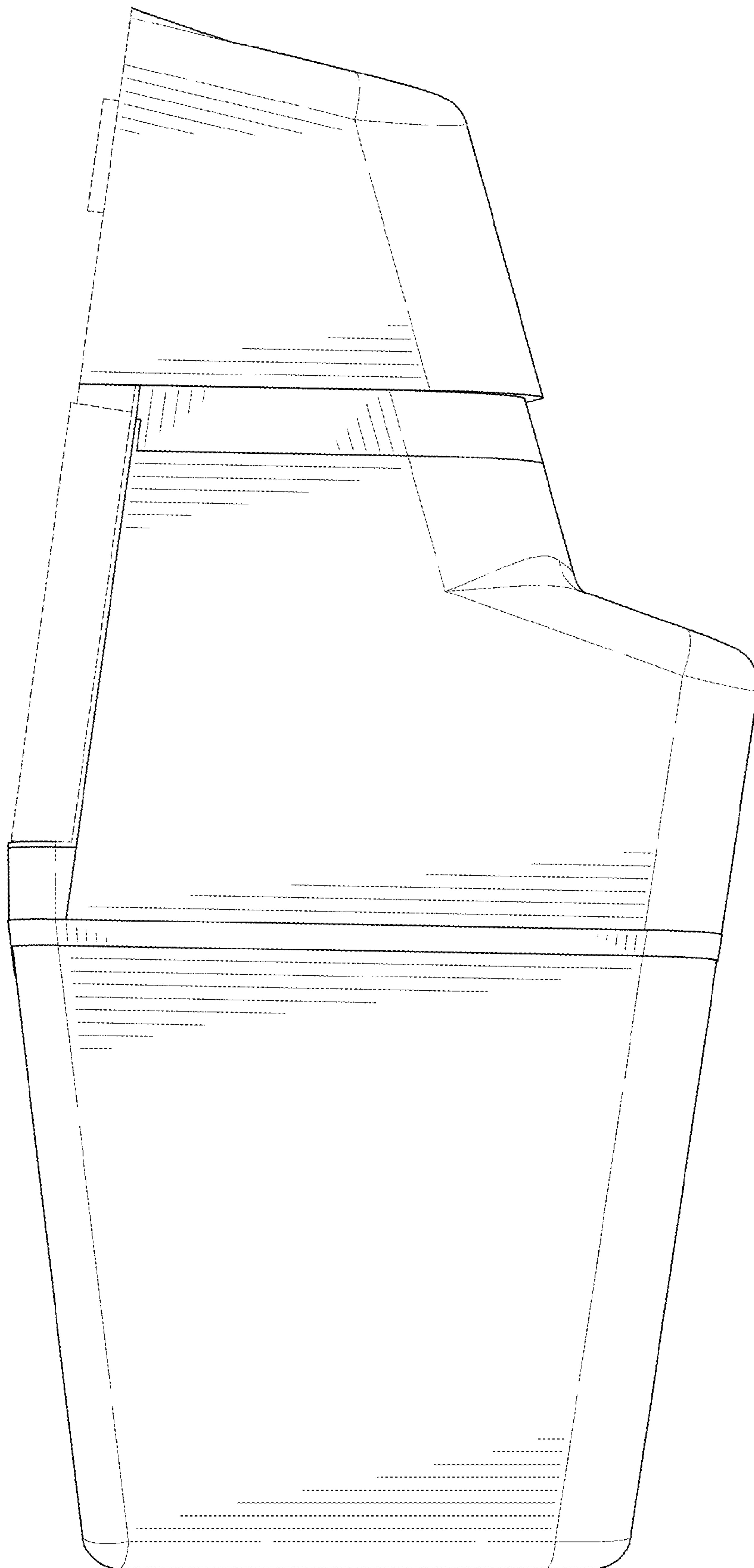


FIG. 6

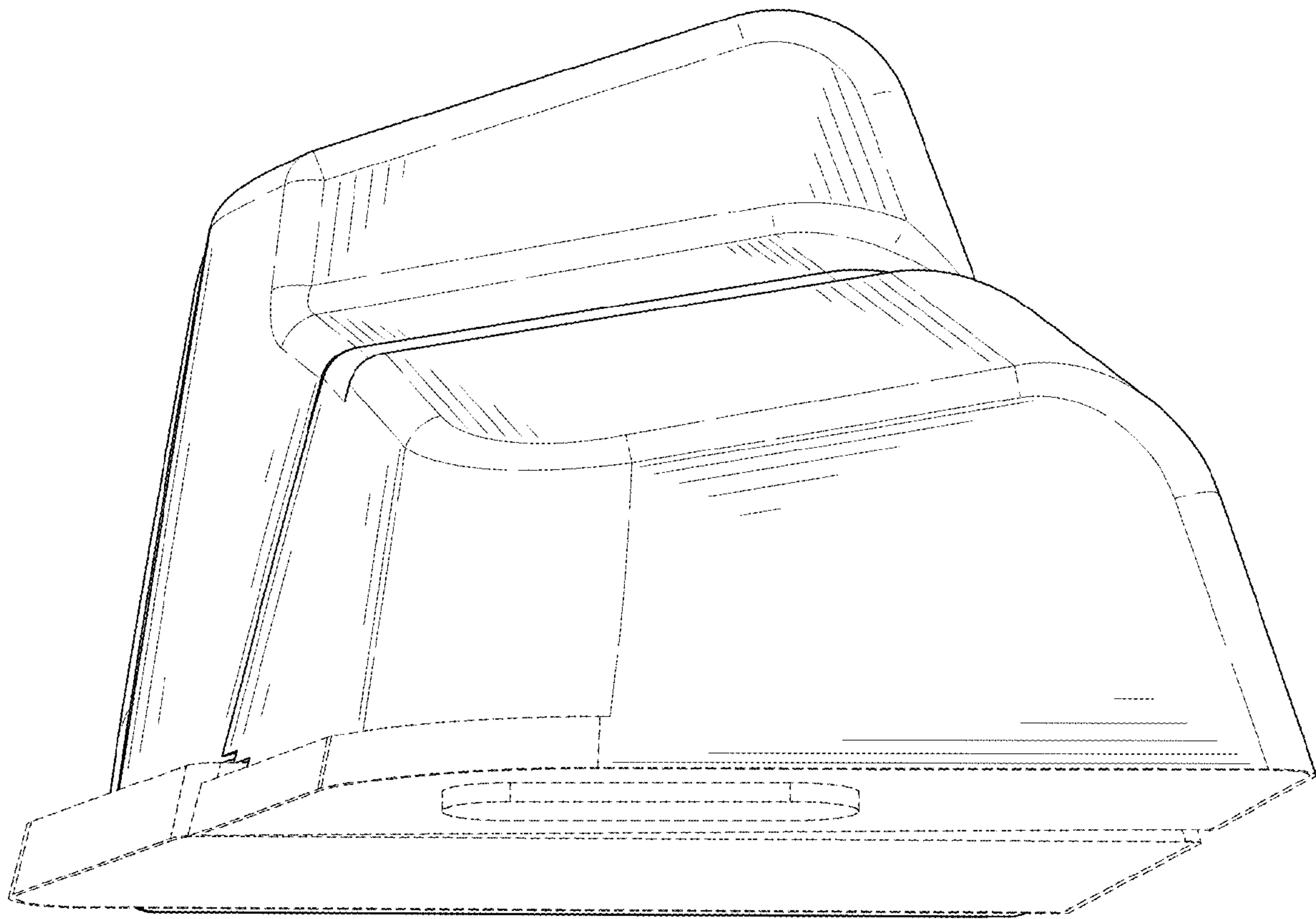


FIG. 7

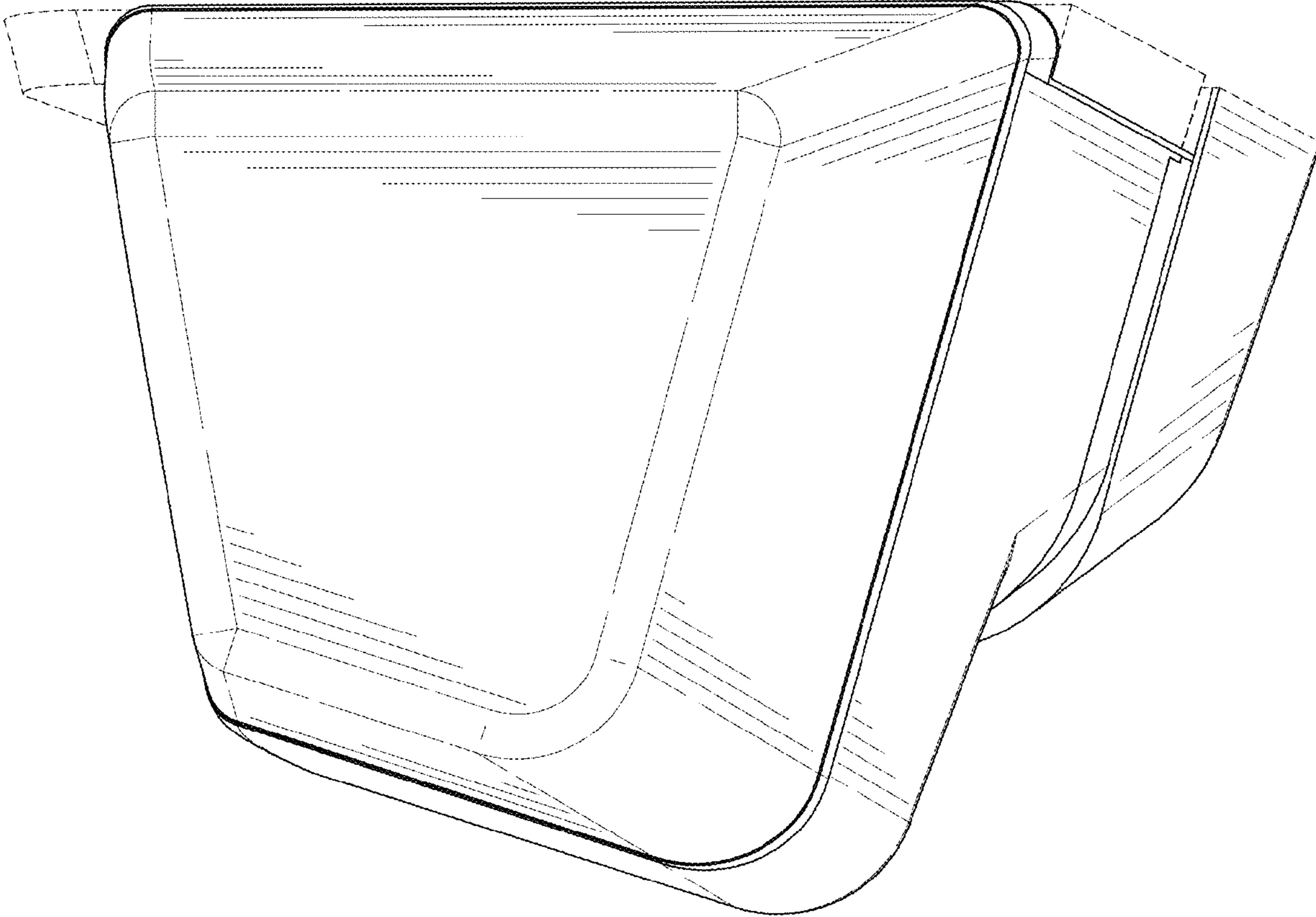


FIG. 8