



US00D999704S

(12) **United States Design Patent**
Dufour

(10) **Patent No.:** **US D999,704 S**
(45) **Date of Patent:** **** Sep. 26, 2023**

(54) **ELECTRICALLY PROPELLED CATAMARAN**

D849,663 S * 5/2019 Hiss B63B 1/30
D12/309

(71) Applicant: **NEOCEAN**, Montpellier (FR)

D868,667 S * 12/2019 Blanco et al.

(72) Inventor: **Vincent Dufour**, Montpellier (FR)

D951,167 S * 5/2022 Clée D12/316

(**) Term: **15 Years**

D958,040 S * 7/2022 Berche et al.

D958,720 S * 7/2022 Luk D12/308

D971,814 S * 12/2022 Lochner B63H 5/14
D12/308

(21) Appl. No.: **35/515,034**

(Continued)

(22) Filed: **Aug. 8, 2022**

FOREIGN PATENT DOCUMENTS

(80) **Hague Agreement Data**

Int. Filing Date: **Aug. 8, 2022**

Int. Reg. No.: **DM/222861**

Int. Reg. Date: **Aug. 8, 2022**

Int. Reg. Pub. Date: **Aug. 26, 2022**

CN 306721133 * 7/2021

(30) **Foreign Application Priority Data**

Feb. 16, 2022 (EM) 008861371-0001

(51) **LOC (14) Cl.** **12-06**

(52) **U.S. Cl.**
USPC **D12/300**

(58) **Field of Classification Search**

USPC D12/300-318, 413; D21/542, 544

CPC B63B 1/00; B63B 1/042; B63B 1/125;

B63B 7/00; B63B 34/10; B63B 17/00;

B63B 17/02; B63H 8/00; B63H 9/00

See application file for complete search history.

(56) **References Cited**

U.S. PATENT DOCUMENTS

D242,782 S * 12/1976 Tyler D12/307

D286,038 S * 10/1986 Dopps D12/314

D316,537 S * 4/1991 Prystupa D12/310

D328,054 S * 7/1992 Thorpe D12/314

D340,221 S * 10/1993 Krieger D12/300

D343,609 S * 1/1994 Lane D12/306

D359,469 S * 6/1995 Yoshida D12/300

D580,339 S * 11/2008 McDougall D12/300

OTHER PUBLICATIONS

New, All-Electric, Foiling PWC, available in CruisingOdyssey.com, announced Year 2022 [online], [site visited May 2, 2023], Internet URL: <https://cruisingodyssey.com/2022/07/03/new-all-electric-foiling-pwc/>.*

(Continued)

Primary Examiner — Darlington Ly
Assistant Examiner — D. Ryan Tisdale

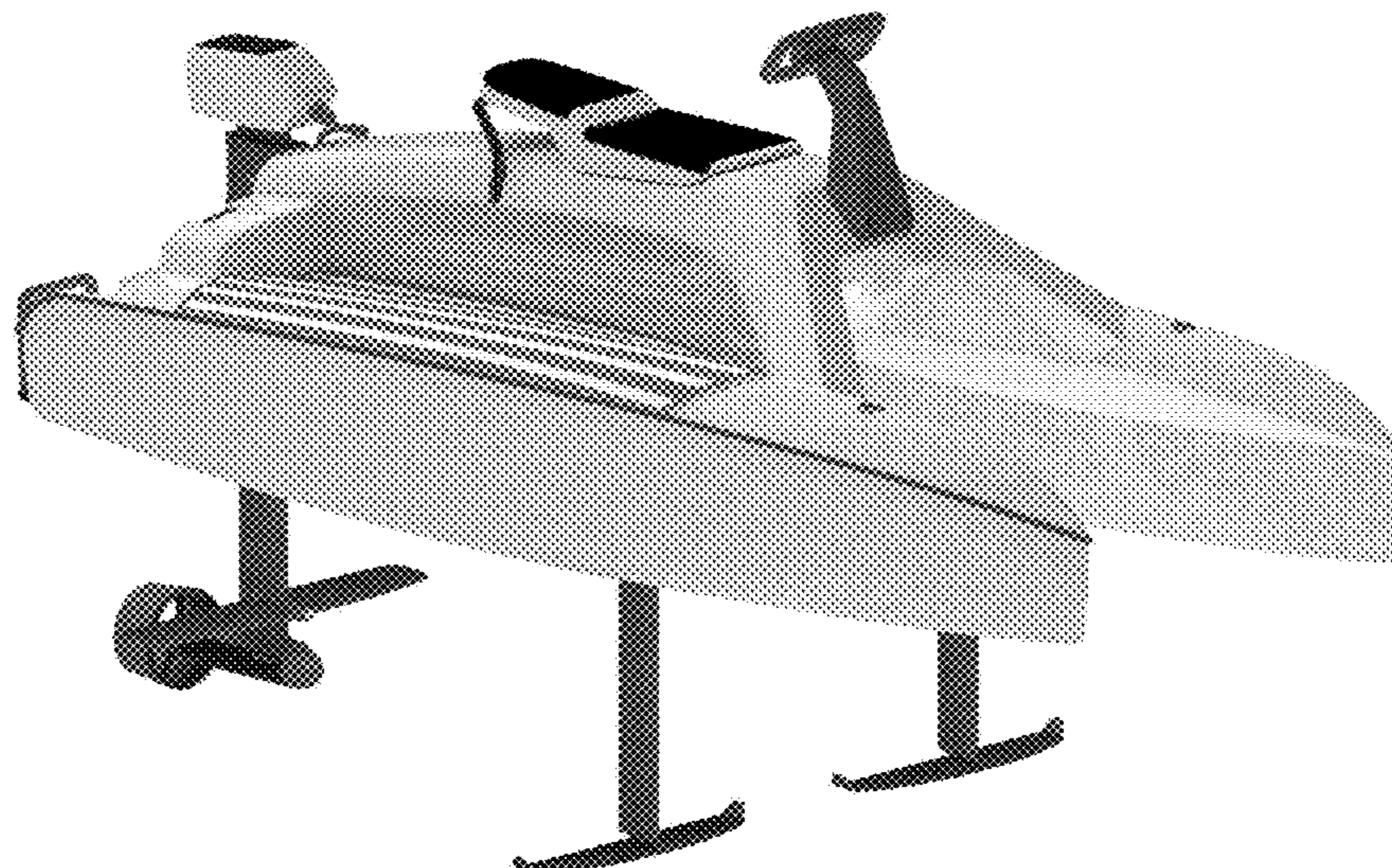
(57) **CLAIM**

The ornamental design for an electrically propelled catamaran, as shown and described.

DESCRIPTION

1. Electrically propelled catamaran
1.1 is a front and right side perspective view of an electrically propelled catamaran embodying my new design;
1.2 is a rear and right side perspective view thereof;
1.3 is a front elevation view thereof;
1.4 is a rear elevation view thereof;
1.5 is a right side elevation view thereof;
1.6 is a top plan view thereof; and
1.7 is a front elevation view thereof with raised foils.
Catamaran with electric propulsion motor, equipped with foils.

1 Claim, 7 Drawing Sheets



(56)

References Cited

U.S. PATENT DOCUMENTS

2021/0323637 A1* 10/2021 Leason B63B 1/285

OTHER PUBLICATIONS

The Neocean Overboat Is an Electric Flying Boat That Brings the Fun Without the Noise, available in AutoEvolution.com, announced Year 2022 [online], [site visited May 2, 2023], Internet URL: <https://www.autoevolution.com/news/the-neocean-overboat-is-an-electric-flying-boat-that-brings-the-fun-without-the-noise-199161>.*

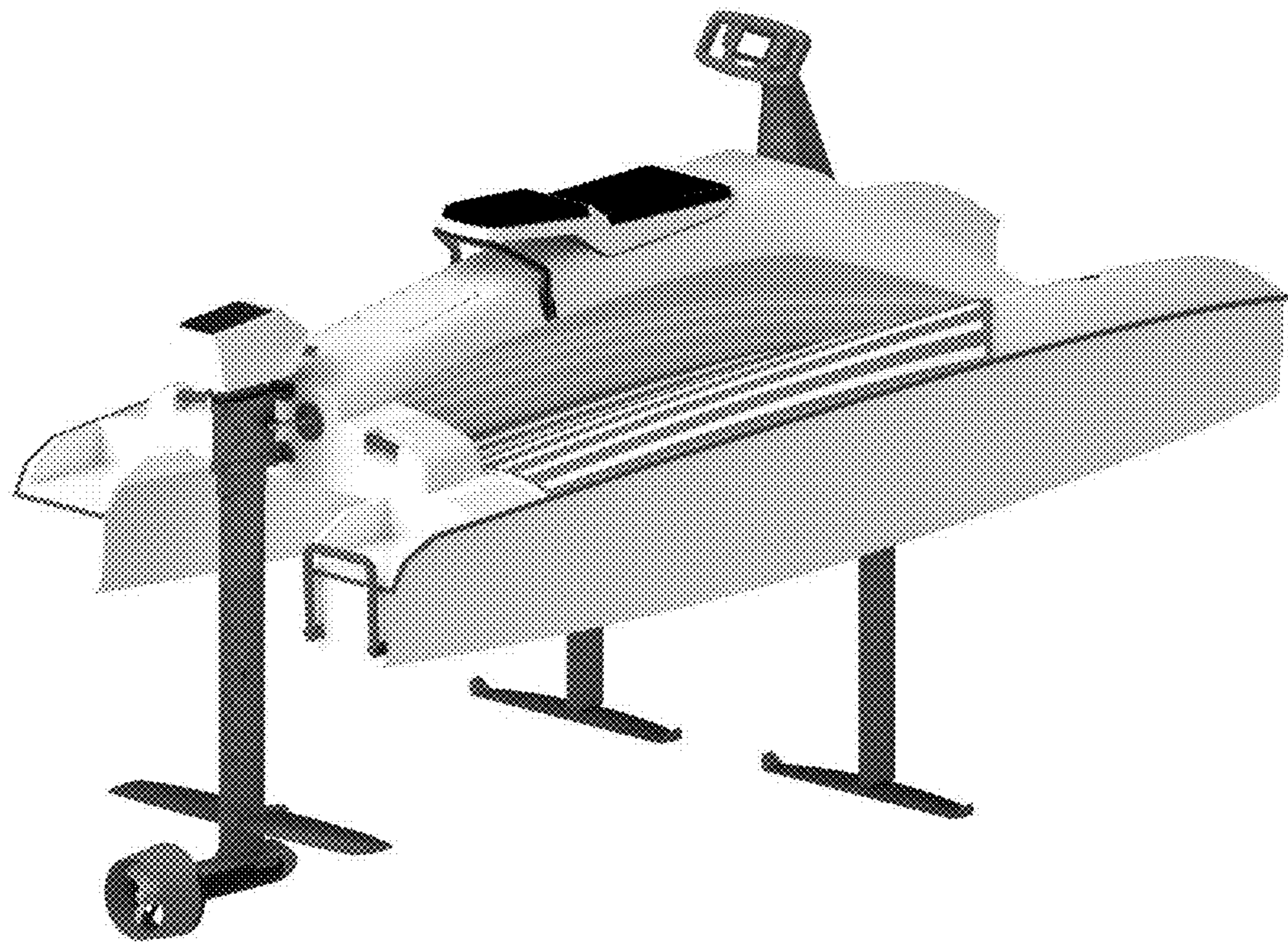
All-electric Neocean hydrofoil cat ski promises magic-carpet-like ride, available in NewAtlas.com, announced Year 2022 [online], [site visited May 2, 2023], Internet URL: <https://newatlas.com/marine/electric-neocean-overboat-hydrofoil-pwc/>.*

* cited by examiner

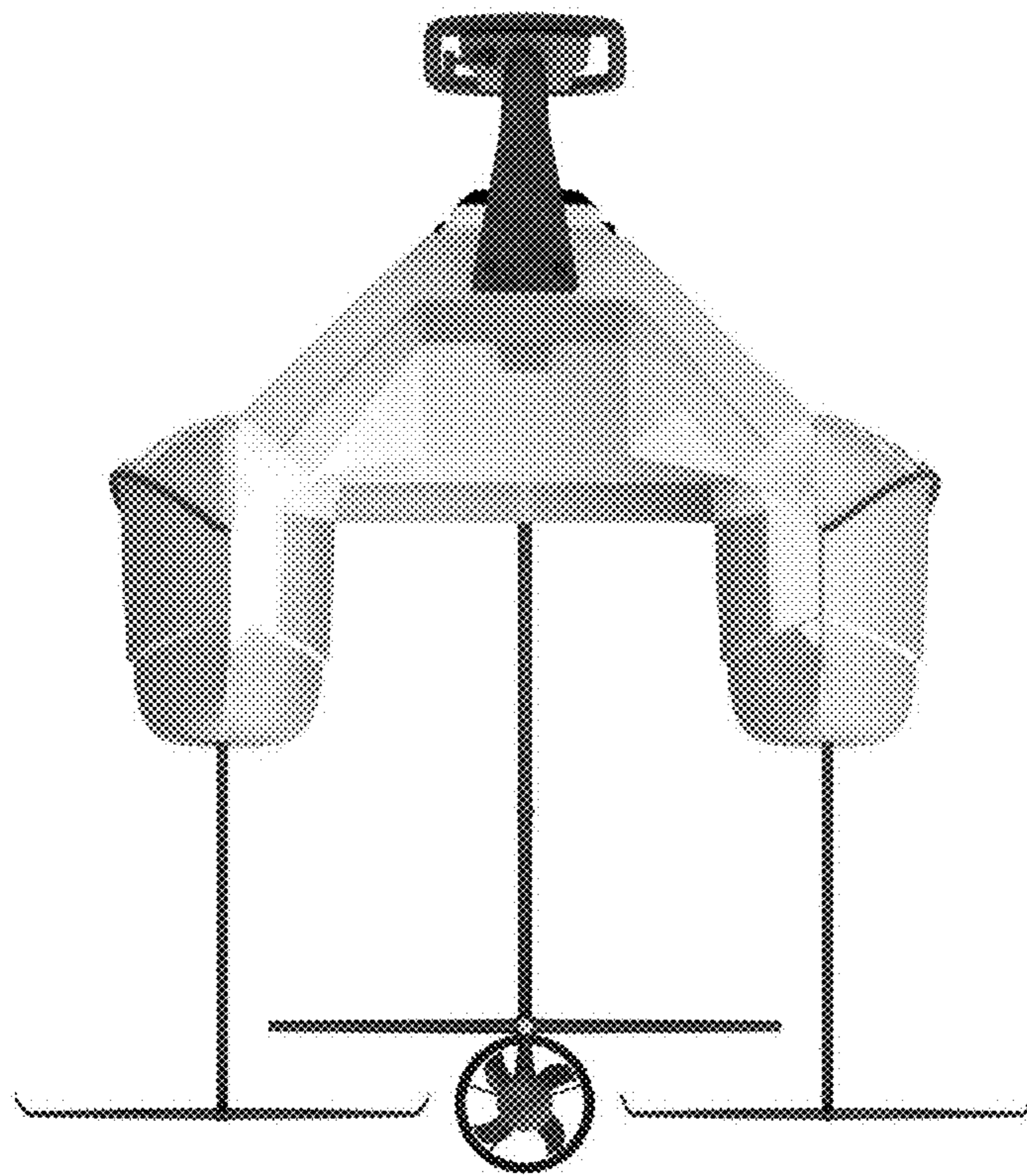
1.1



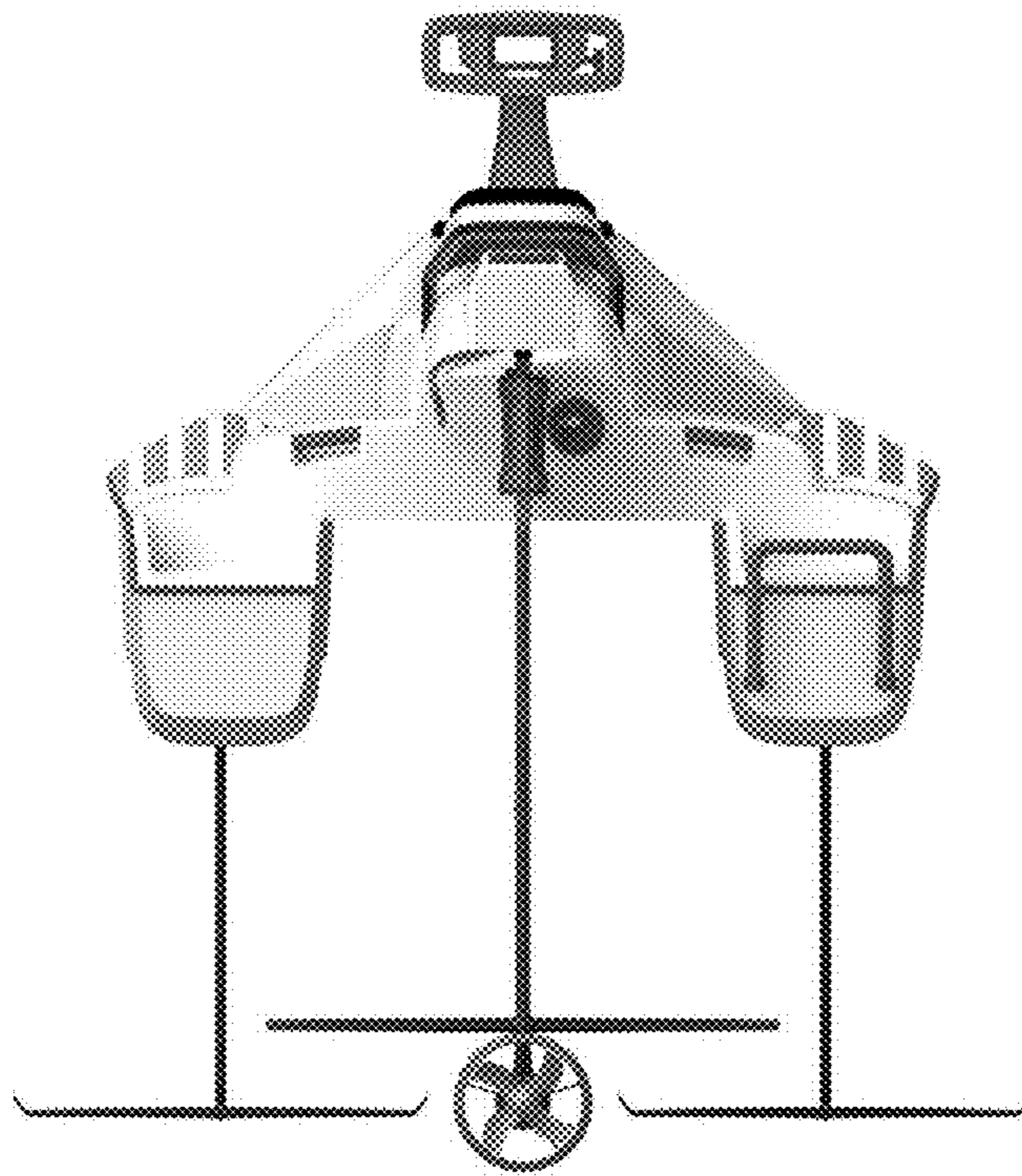
1.2



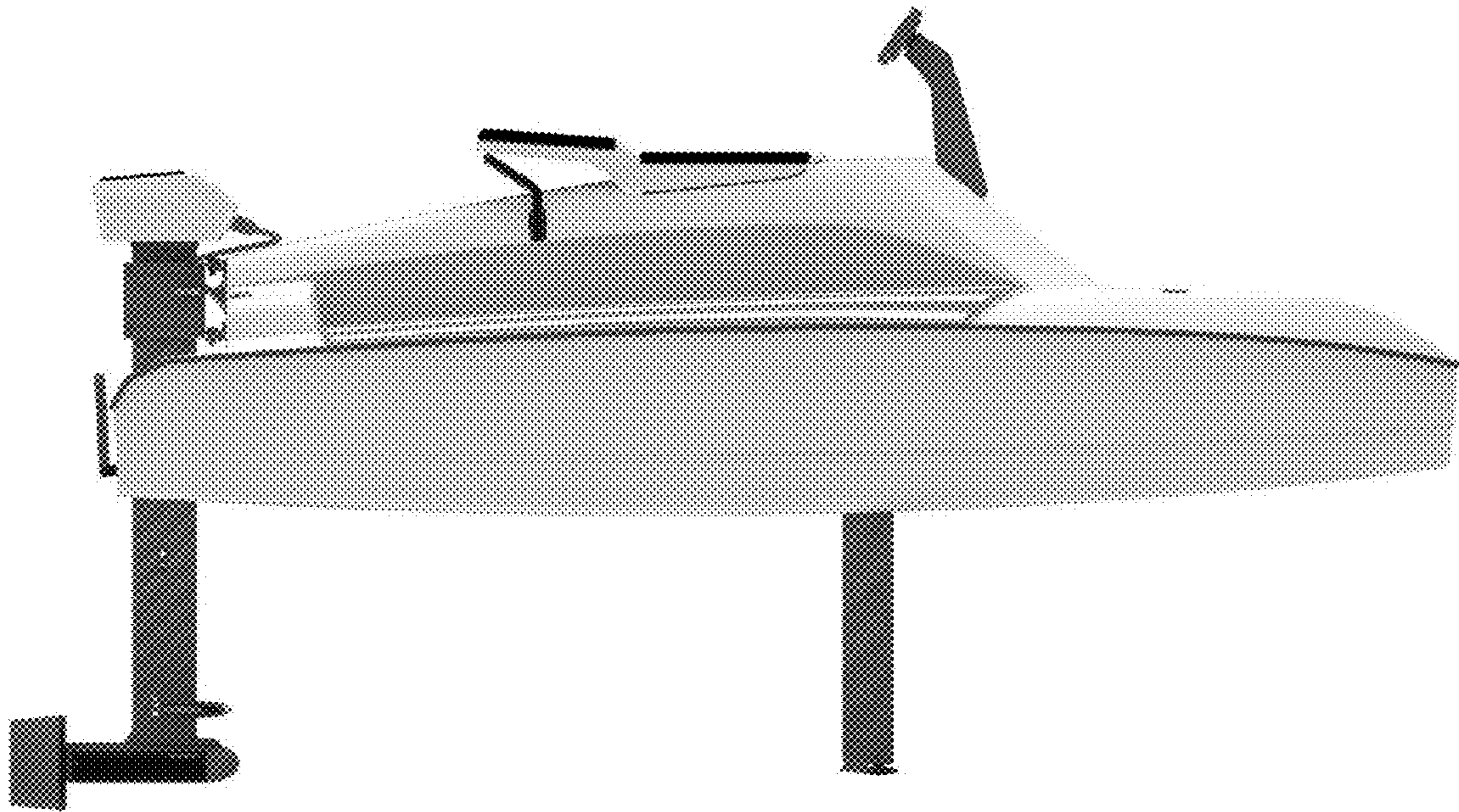
1.3



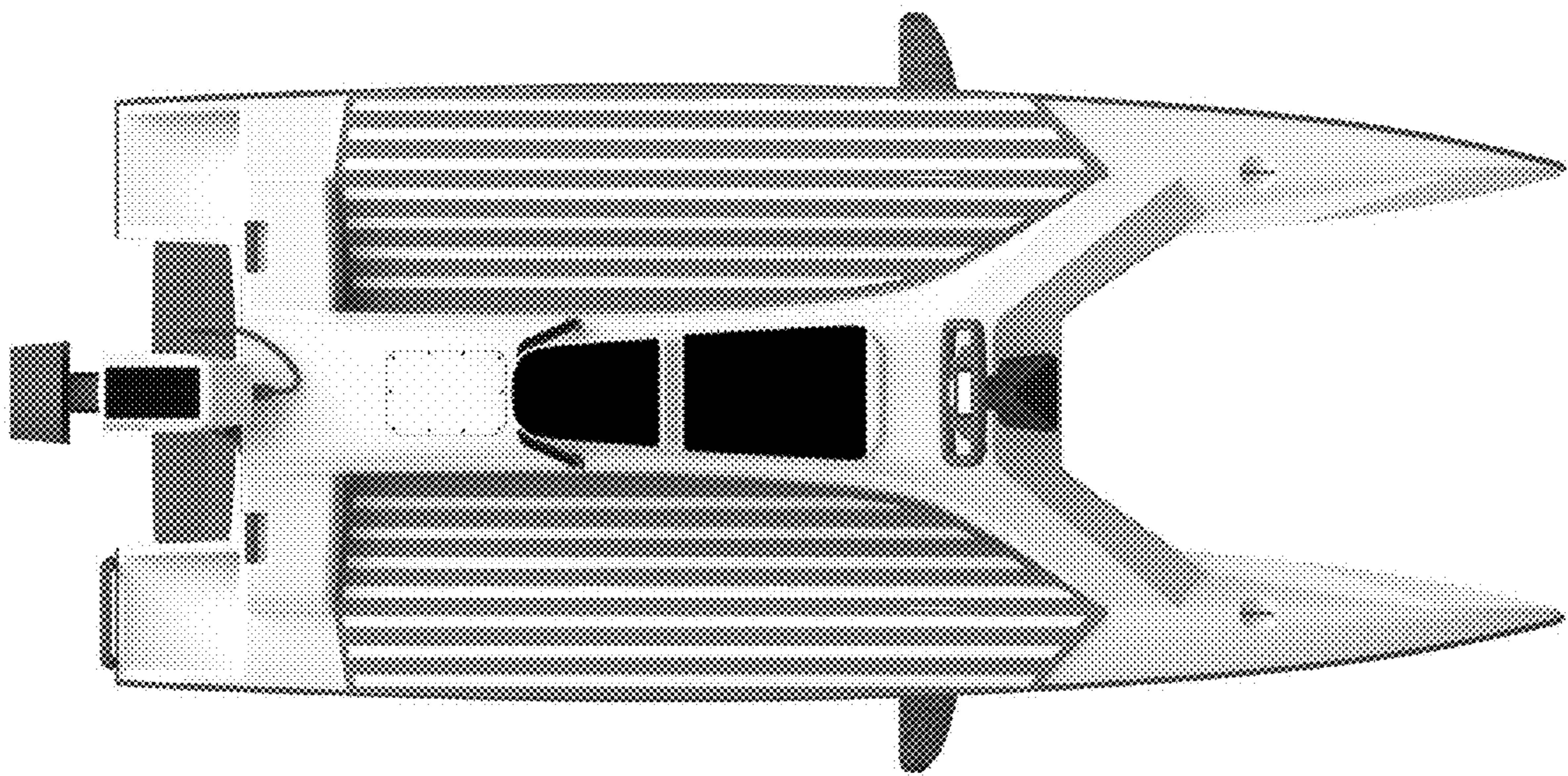
1.4



1.5



1.6



1.7

