

US00D999612S

(12) **United States Design Patent** (10) **Patent No.:** **US D999,612 S**  
**Garza et al.** (45) **Date of Patent:** **\*\* Sep. 26, 2023**

(54) **UNIVERSAL CLAMP ASSEMBLY FOR SOLAR PANEL ASSEMBLIES**

(71) Applicants: **David G. Garza**, Plano, TX (US);  
**Horacio Duhart**, Plano, TX (US)

(72) Inventors: **David G. Garza**, Plano, TX (US);  
**Horacio Duhart**, Plano, TX (US)

(\*\*) Term: **15 Years**

(21) Appl. No.: **29/814,892**

(22) Filed: **Nov. 9, 2021**

(51) **LOC (14) Cl.** ..... **08-05**

(52) **U.S. Cl.**  
USPC ..... **D8/72**

(58) **Field of Classification Search**  
USPC ..... D8/71-74, 394-399, 59  
CPC ..... B25B 1/00; B25B 5/00  
See application file for complete search history.

(56) **References Cited**

U.S. PATENT DOCUMENTS

3,476,346	A *	11/1969	Oakes	.....	A61G 7/0518
					248/231.71
D371,497	S *	7/1996	Cottone	.....	D8/72
5,743,502	A *	4/1998	Humma	.....	B25H 1/10
					269/99
D557,093	S *	12/2007	Holt	.....	D8/51
D762,110	S *	7/2016	Olson	.....	D8/394
D808,889	S	1/2018	Puchkoff		
D826,023	S	8/2018	Chun		
D827,405	S	9/2018	Chun		

D829,724	S	10/2018	Chun		
D841,505	S *	2/2019	Machijima	.....	D10/103
D894,708	S *	9/2020	Nguyen	.....	D8/72
D901,284	S *	11/2020	Chorley	.....	D8/394
D902,022	S *	11/2020	Orikawa	.....	D8/394
11,336,222	B1 *	5/2022	Garza	.....	H02S 30/00
2012/0138760	A1 *	6/2012	Gephart	.....	F16B 2/12
					248/226.11

\* cited by examiner

*Primary Examiner* — David G Muller

(74) *Attorney, Agent, or Firm* — Thrasher Associates

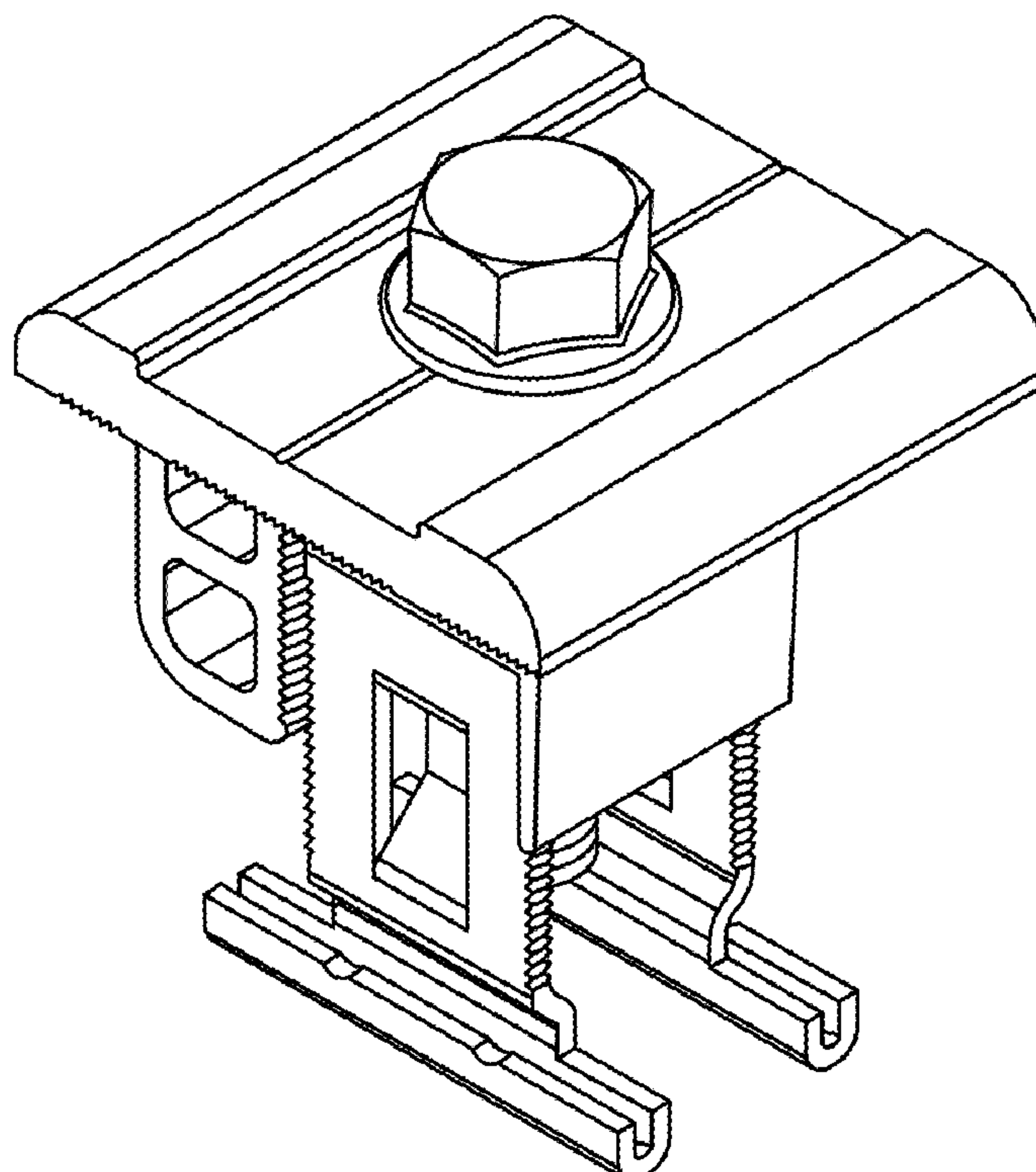
(57) **CLAIM**

The ornamental design for a universal clamp assembly for solar panel assemblies, as shown and described.

**DESCRIPTION**

FIG. 1 is a first perspective view of a universal clamp assembly for solar panel assemblies;  
FIG. 2 is an exploded view thereof;  
FIG. 3 is a front view thereof;  
FIG. 4 is a rear view thereof;  
FIG. 5 is a top view thereof;  
FIG. 6 is a bottom view thereof;  
FIG. 7 is a right-side view thereof;  
FIG. 8 is a left-side view thereof;  
FIG. 9 is a bottom perspective view of a top element thereof;  
and,  
FIG. 10 is a perspective view of a bottom element thereof.  
Subject matter shown in broken lines is environmental and forms no part of the claimed design.

**1 Claim, 10 Drawing Sheets**



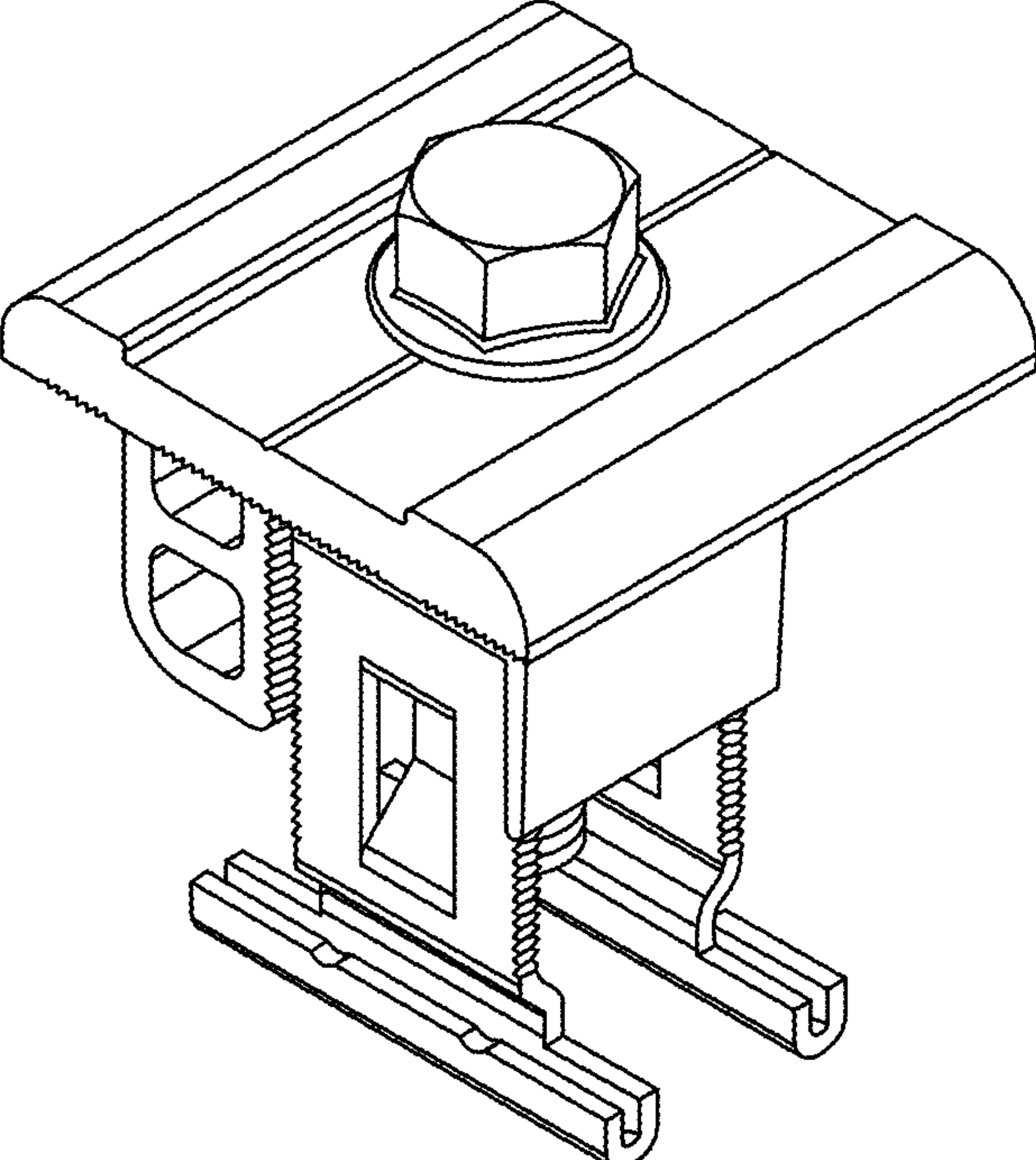


FIG. 1

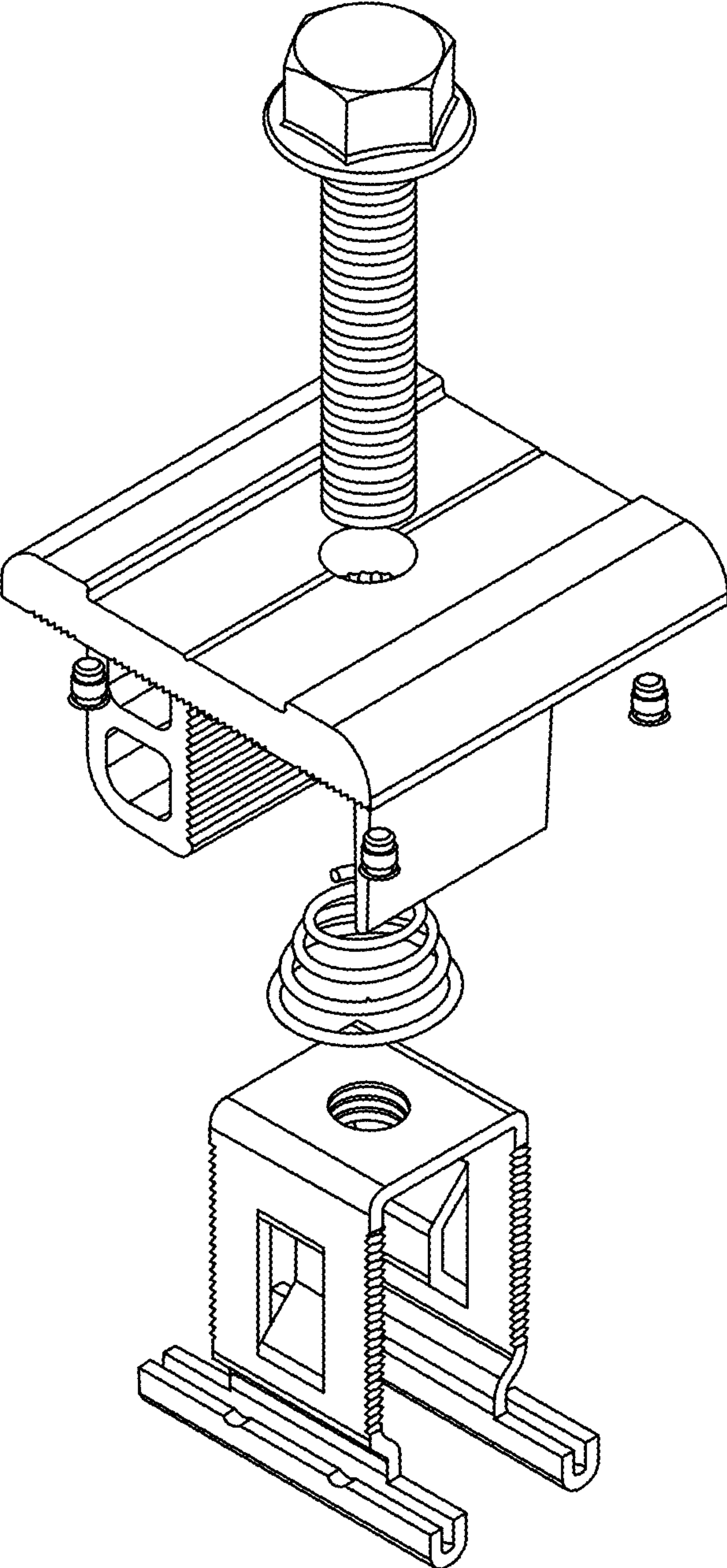


FIG. 2

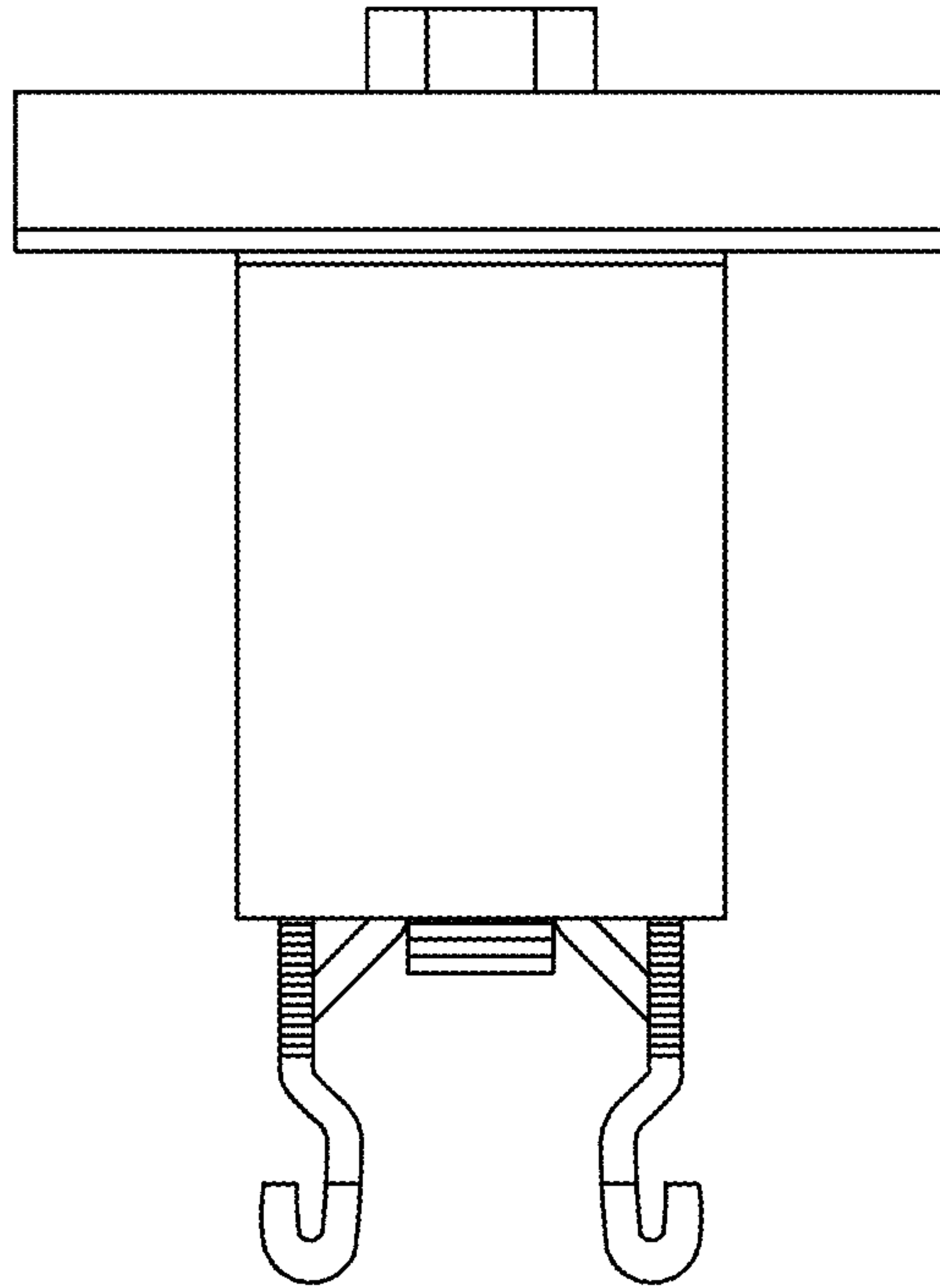


FIG. 3

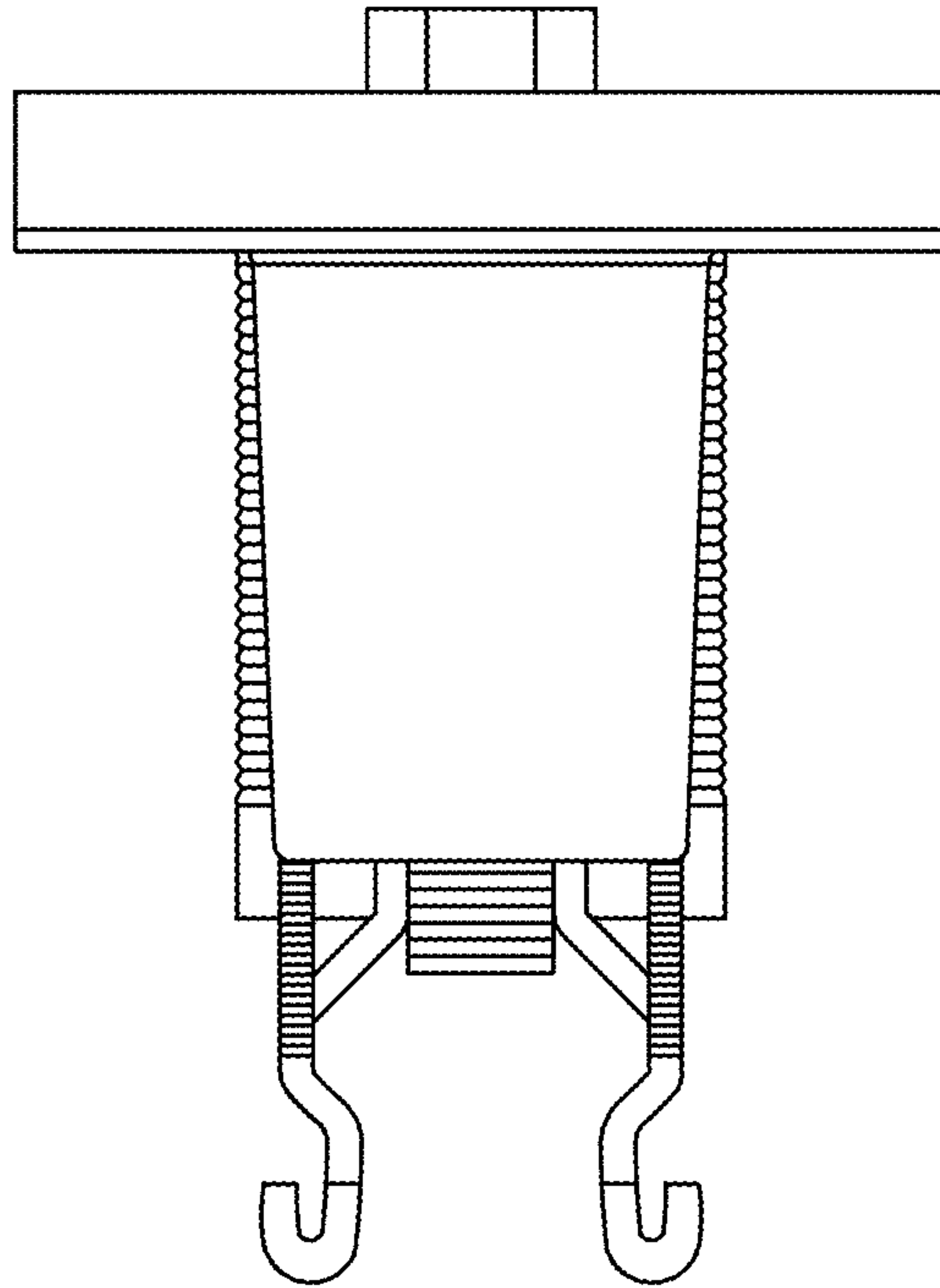


FIG. 4

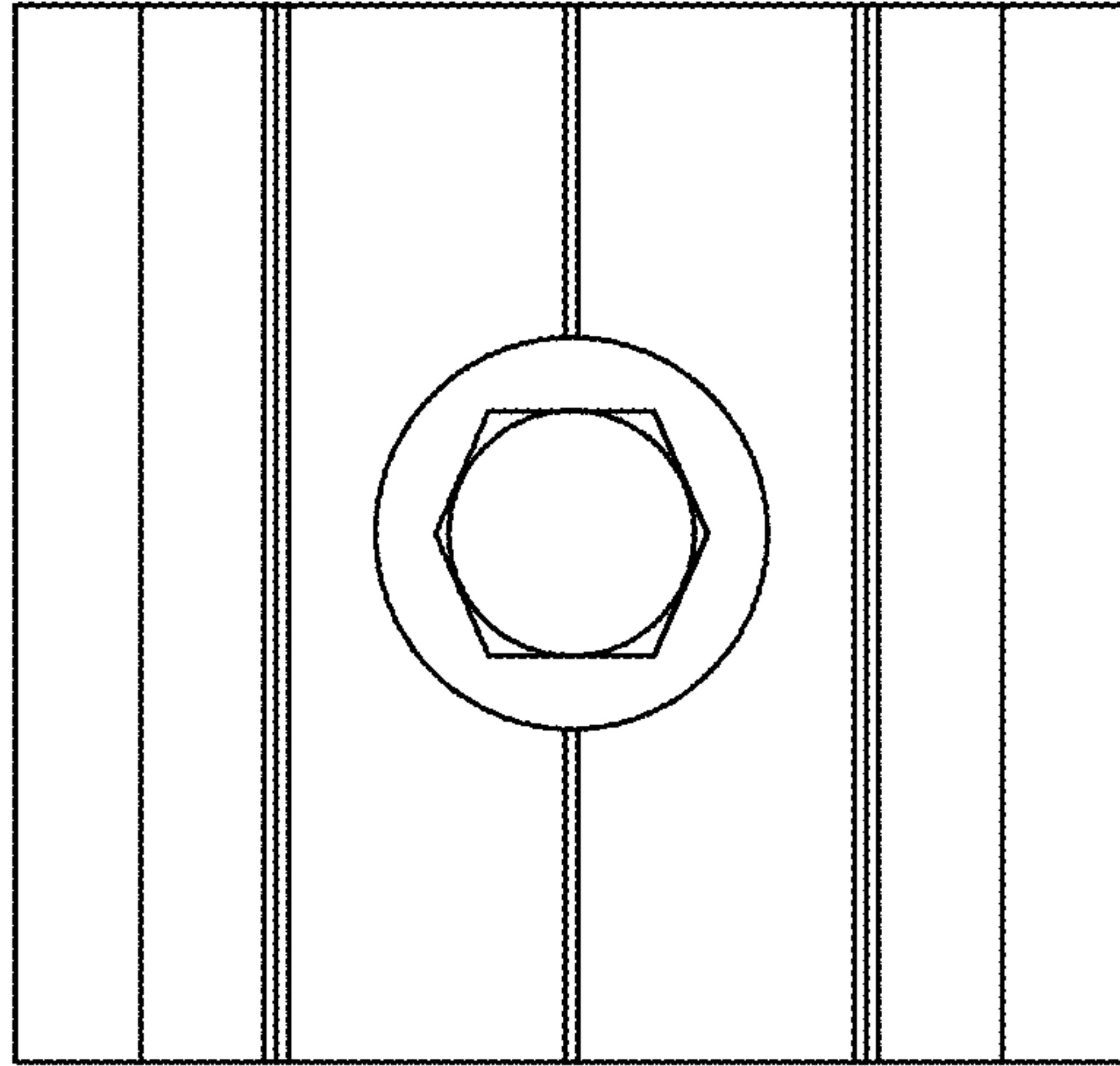


FIG. 5



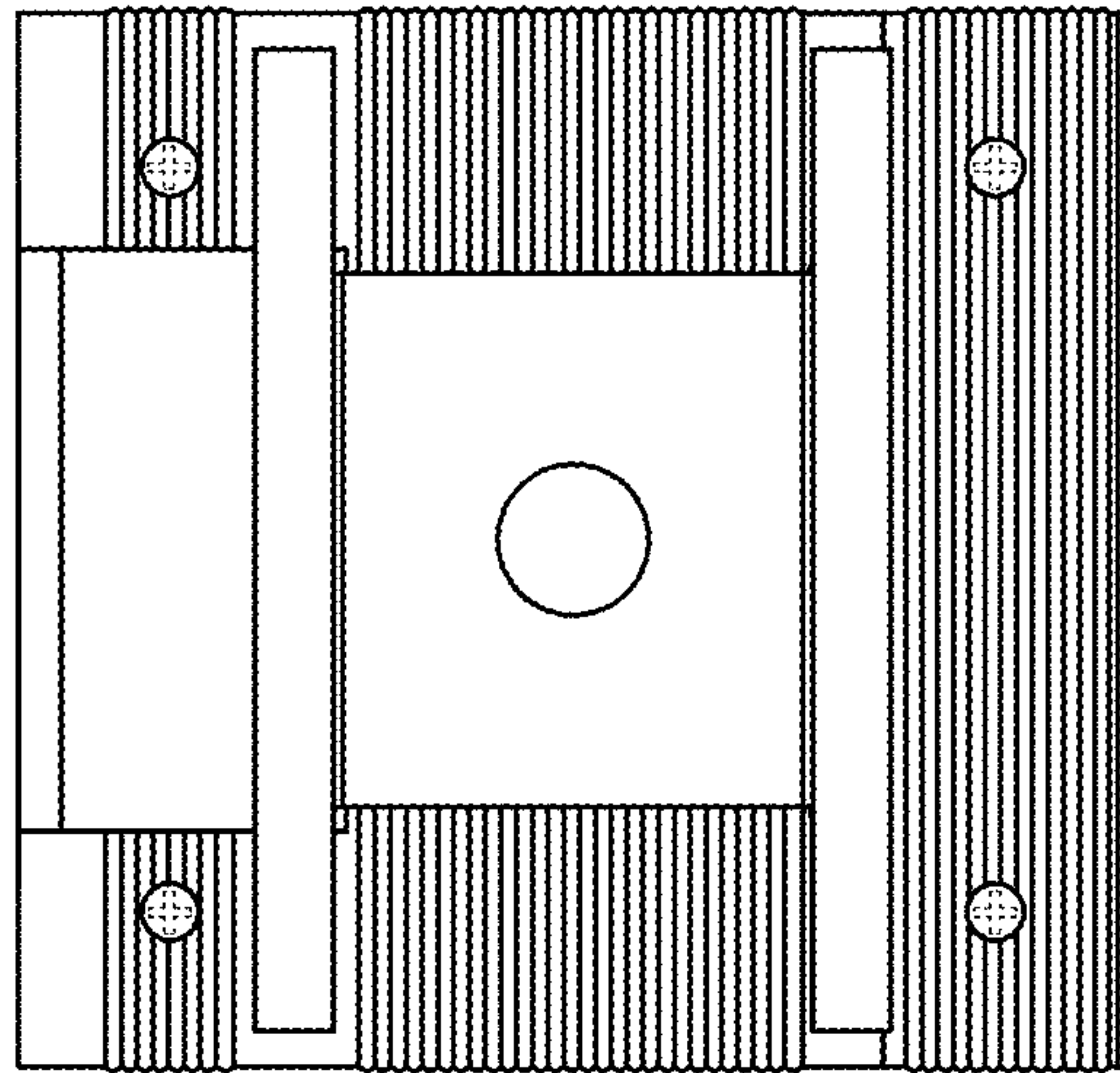


FIG. 6

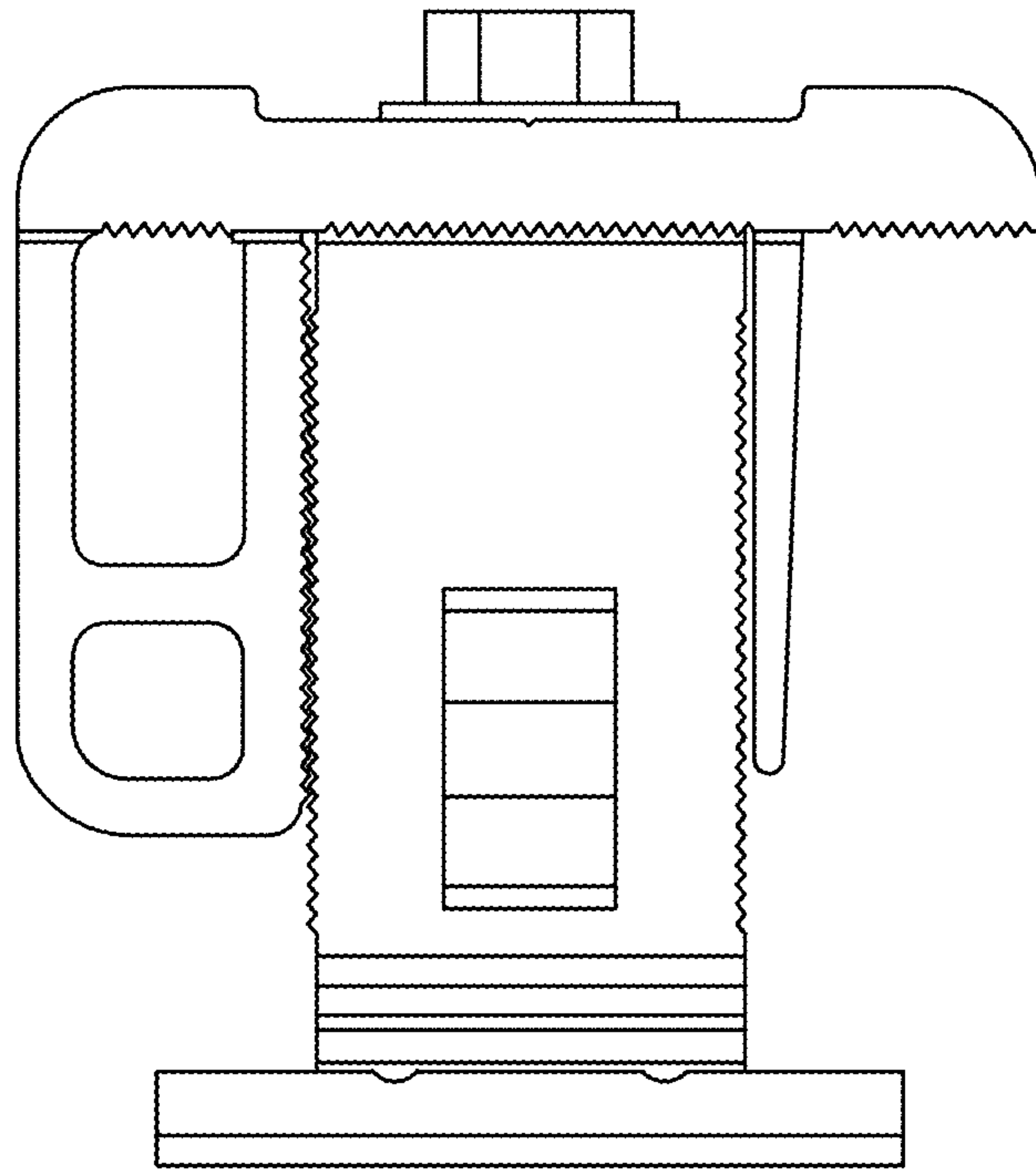


FIG. 7



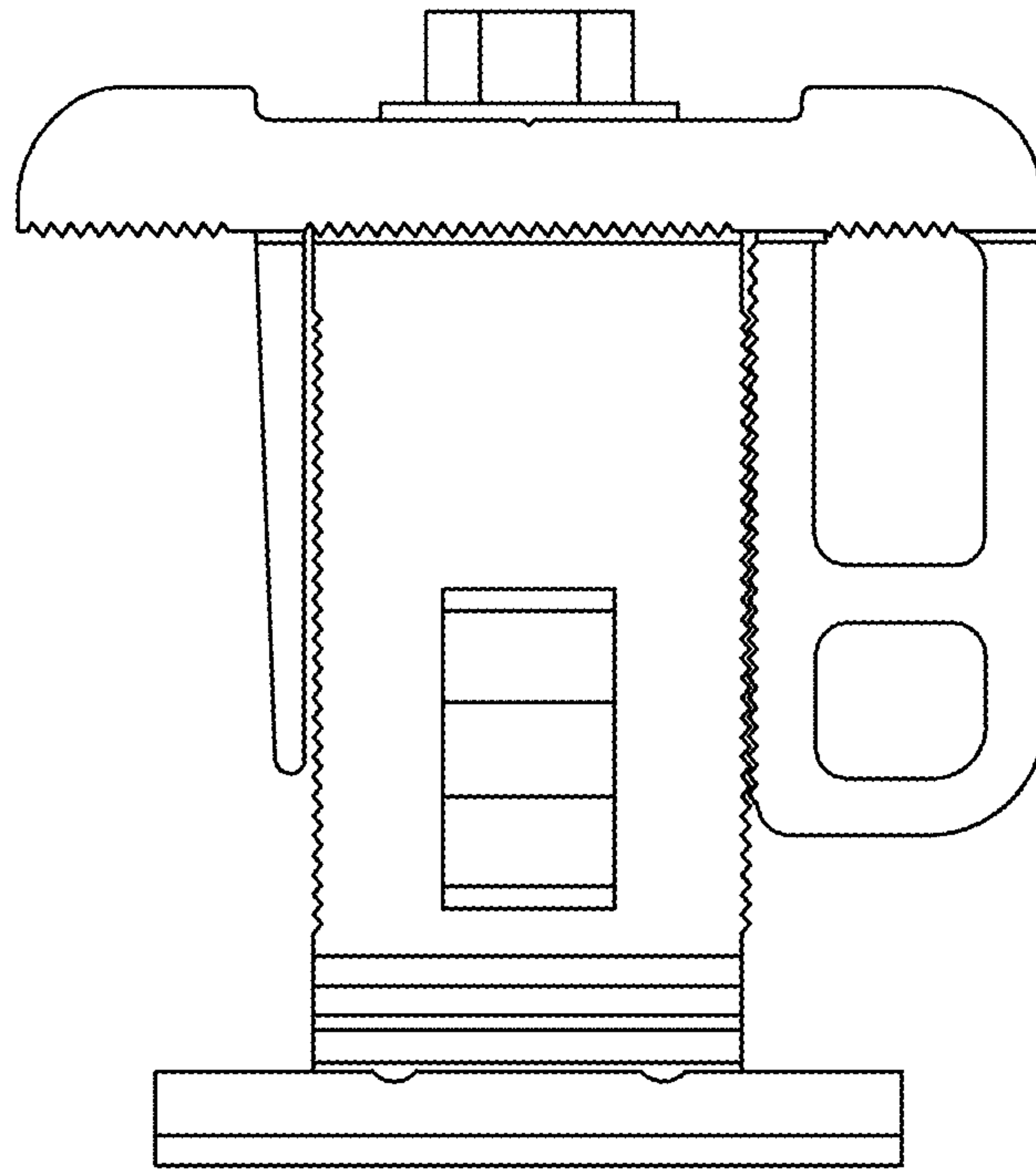


FIG. 8

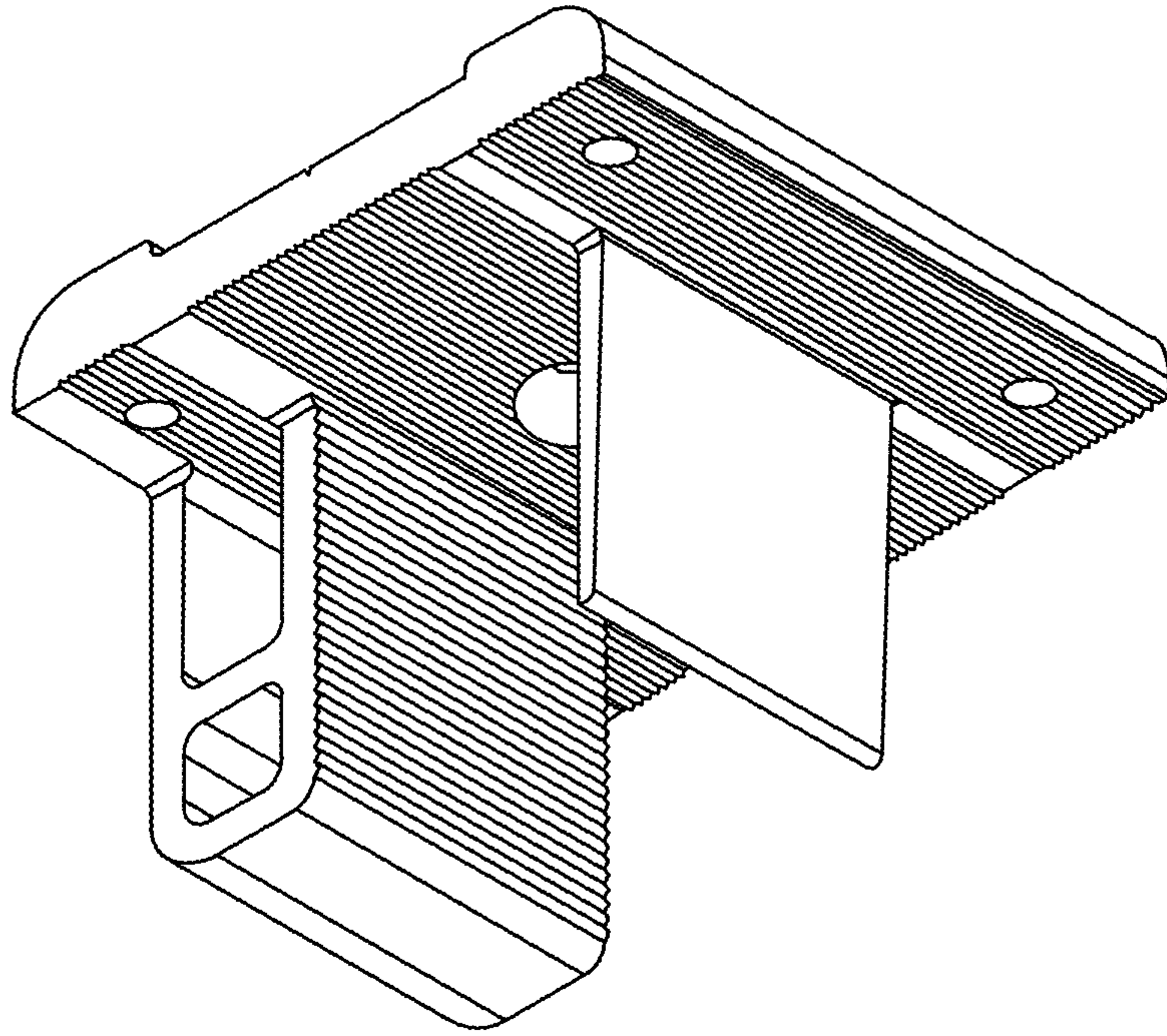


FIG. 9

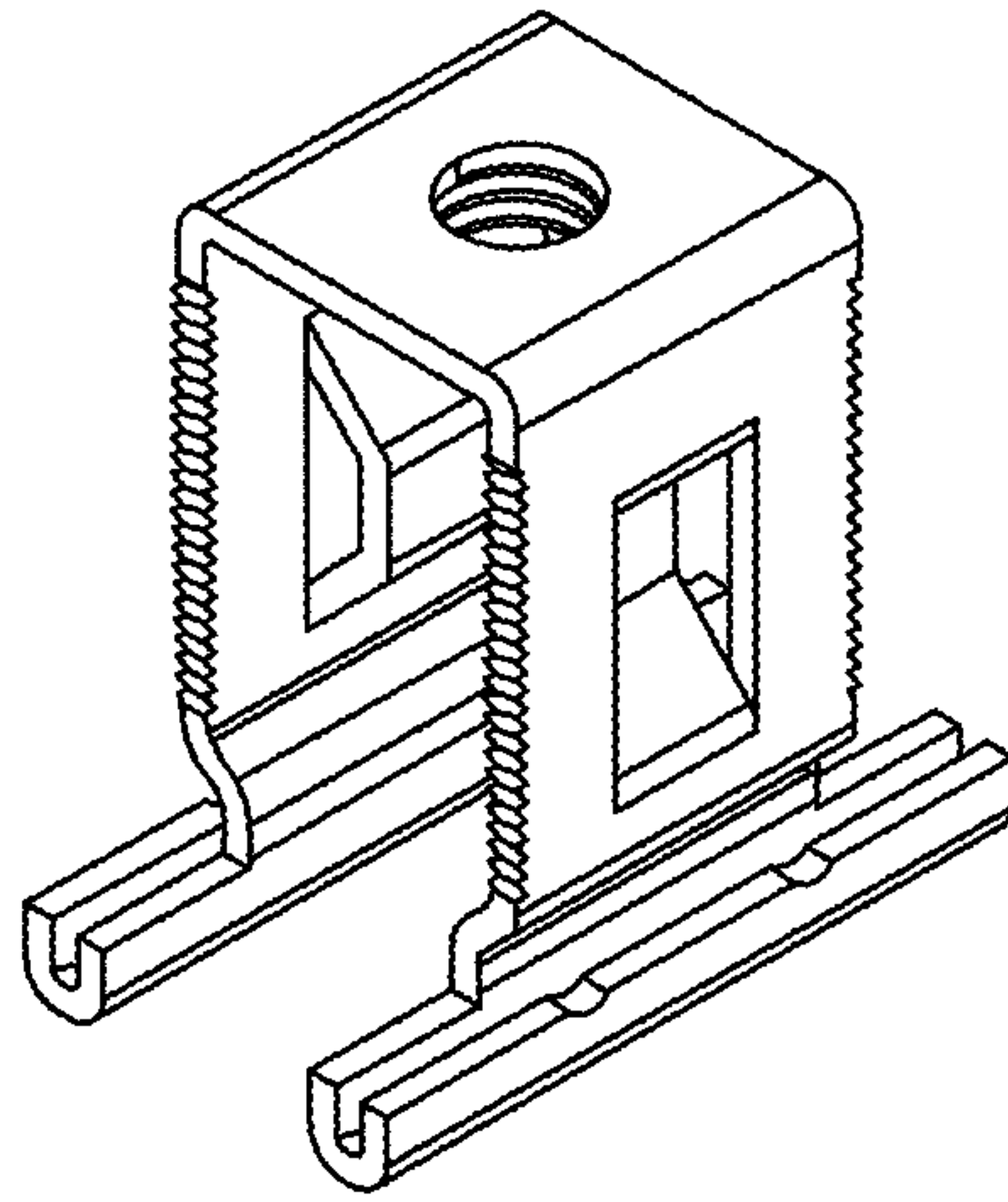


FIG. 10