



US00D999551S

(12) **United States Design Patent** (10) **Patent No.:** **US D999,551 S**
He (45) **Date of Patent:** **** Sep. 26, 2023**

(54) **EXPANDABLE TOILET PAPER HOLDER**

OTHER PUBLICATIONS

(71) Applicant: **Shenzhen Airujia Home Furnishing Co., Ltd.**, Shenzhen (CN)

MyGift Silver Chrome-Plated Metal Heavy Weighted Free Standing Toilet Paper Holder, posted unknown [online], [retrieved Jul. 27, 2023]. Retrieved from internet, <https://www.amazon.com/MyGift-Freestanding-Chrome-Plated-Single-Roll-Toilet/dp/B07R5C6ZS7> (Year: 2023).*

(72) Inventor: **Chihuai He**, Shenzhen (CN)

Gatco 1436C Pedestal Toilet Paper Holder, posted Jul. 20, 2004 [online], [retrieved Jul. 27, 2023]. Retrieved from internet, <https://www.amazon.com/Gatco-1436C-Pedestal-Toilet-Holder/dp/B000NSKYQE> (Year: 2004).*

(**) Term: **15 Years**

(21) Appl. No.: **29/841,548**

(Continued)

(22) Filed: **Jun. 7, 2022**

(51) **LOC (14) Cl.** **23-08**

(52) **U.S. Cl.**
USPC **D6/523**

(58) **Field of Classification Search**
USPC D6/520, 523, 512, 515, 518, 519, 521, D6/522, 524, 540, 545-550, 566, 567; D3/10; D8/300, 303, 315-321, 354, 363, D8/373, 380; D14/224
CPC A47K 10/42; A47K 10/38
See application file for complete search history.

Primary Examiner — Kevin K Rudzinski
Assistant Examiner — Jeremy S. Swartz
(74) *Attorney, Agent, or Firm* — Daniel M. Cohn; Howard M. Cohn

(57) **CLAIM**

The ornamental design for an expandable toilet paper holder, as shown and described.

DESCRIPTION

(56) **References Cited**

U.S. PATENT DOCUMENTS

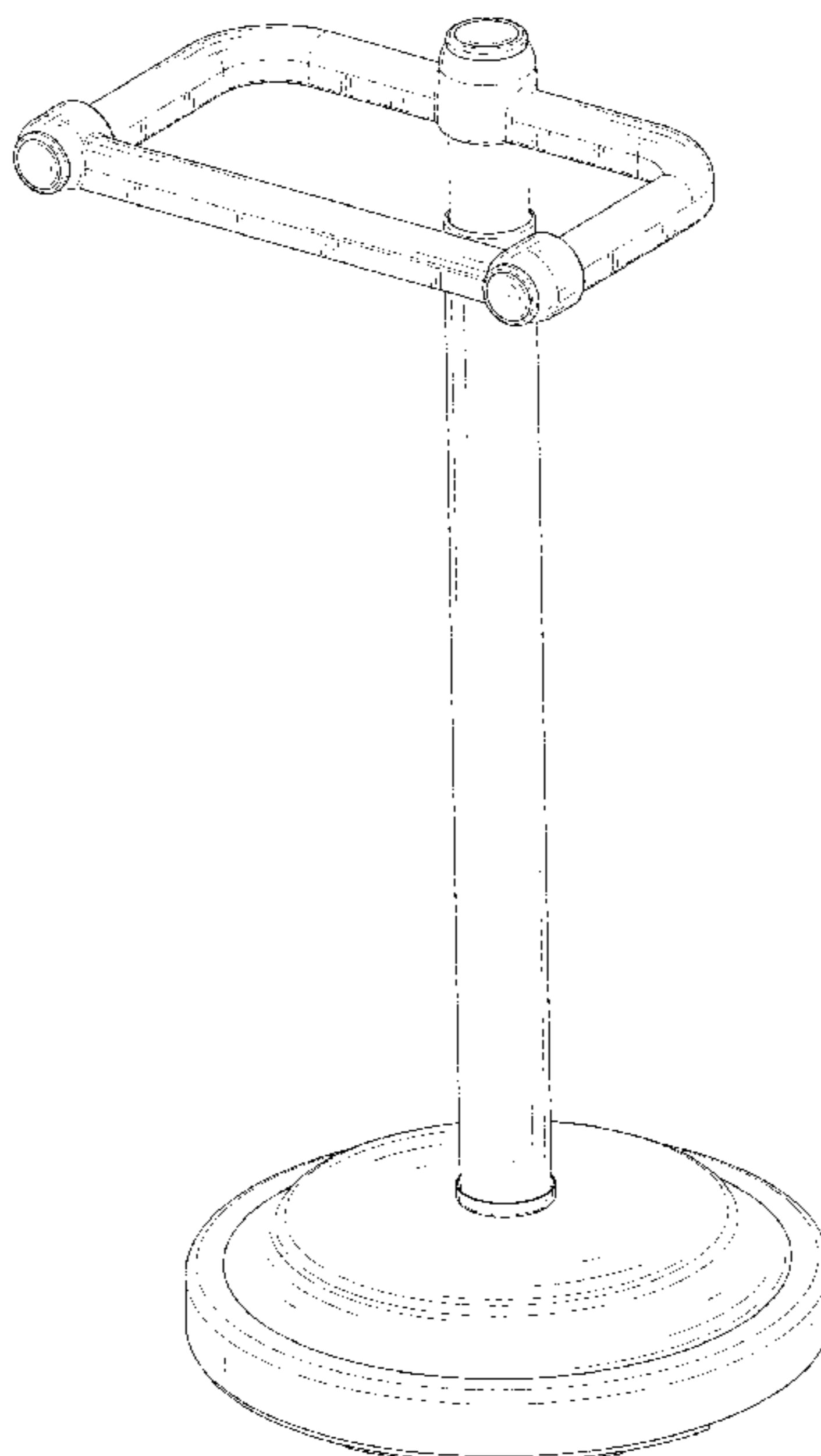
D476,835 S *	7/2003	Lai	D6/523
D508,355 S *	8/2005	Lau	D6/523
6,988,691 B1 *	1/2006	Lai	A47K 10/38 242/598.5
D520,281 S *	5/2006	Lin	D6/523
D691,389 S *	10/2013	Snider	D6/519
D775,850 S *	1/2017	Tsai	D6/523
D842,003 S *	3/2019	Soileau	D6/518
2016/0095478 A1 *	4/2016	Toma	A47K 10/42 242/594

FOREIGN PATENT DOCUMENTS

EM	000883889-0006	*	6/2008
GB	1057107	*	9/1989

FIG. 1 is a perspective view of an expandable toilet paper holder showing my new design; FIG. 2 is another perspective view thereof; FIG. 3 is a front elevational view thereof; FIG. 4 is a rear elevational view thereof; FIG. 5 is a left side elevational view thereof; FIG. 6 is a right side elevational view thereof; FIG. 7 is a top plan view thereof; FIG. 8 is a bottom plan view thereof; and, FIG. 9 is a perspective view of the expandable toilet paper holder where the expandable toilet paper holder is in a configuration of use. The dash-dash broken lines in the drawings depict portions of the expandable toilet paper holder that form no part of the claimed design.

1 Claim, 9 Drawing Sheets



(56)

References Cited

OTHER PUBLICATIONS

Rumose Toilet Paper Holder Stand for Floor, posted Dec. 29, 2022 [online], [retrieved Jul. 27, 2023]. Retrieved from internet, <https://www.amazon.com/RUMOSE-Adjustable-Bathroom-Standing-Stainless/dp/B0BR9YKKJB> (Year: 2022).*

SunnyPoint Classic Bathroom Free Standing Toilet Tissue Paper Roll Holder Stand, posted unknown [online], [retrieved Jul. 27, 2023]. Retrieved from internet, <https://www.amazon.com/SunnyPoint-Classic-Bathroom-Standing-Finishing/dp/B07YPWKRZ6?th=1> (Year: 2023).*

* cited by examiner

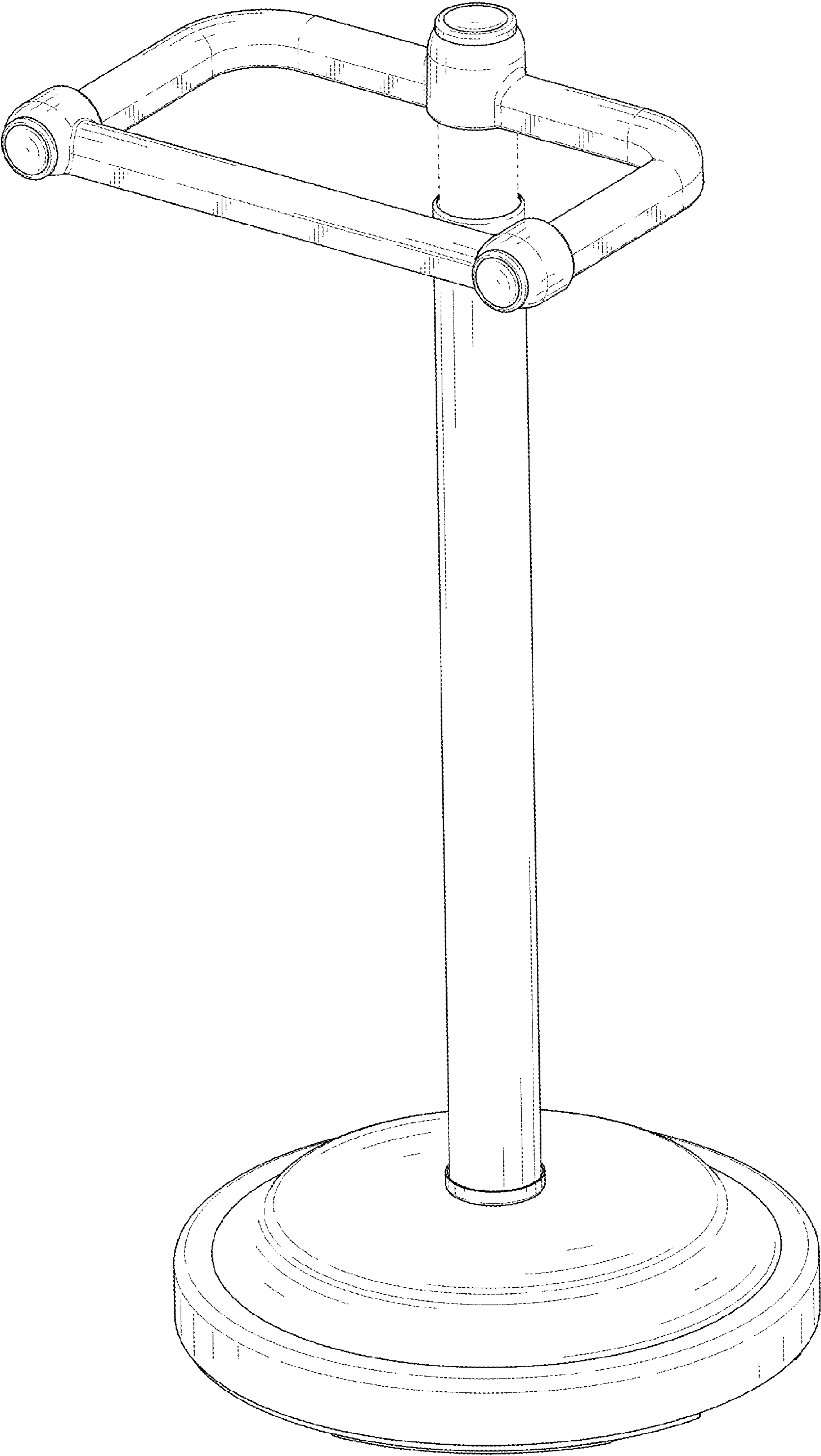


FIG. 1



FIG. 2

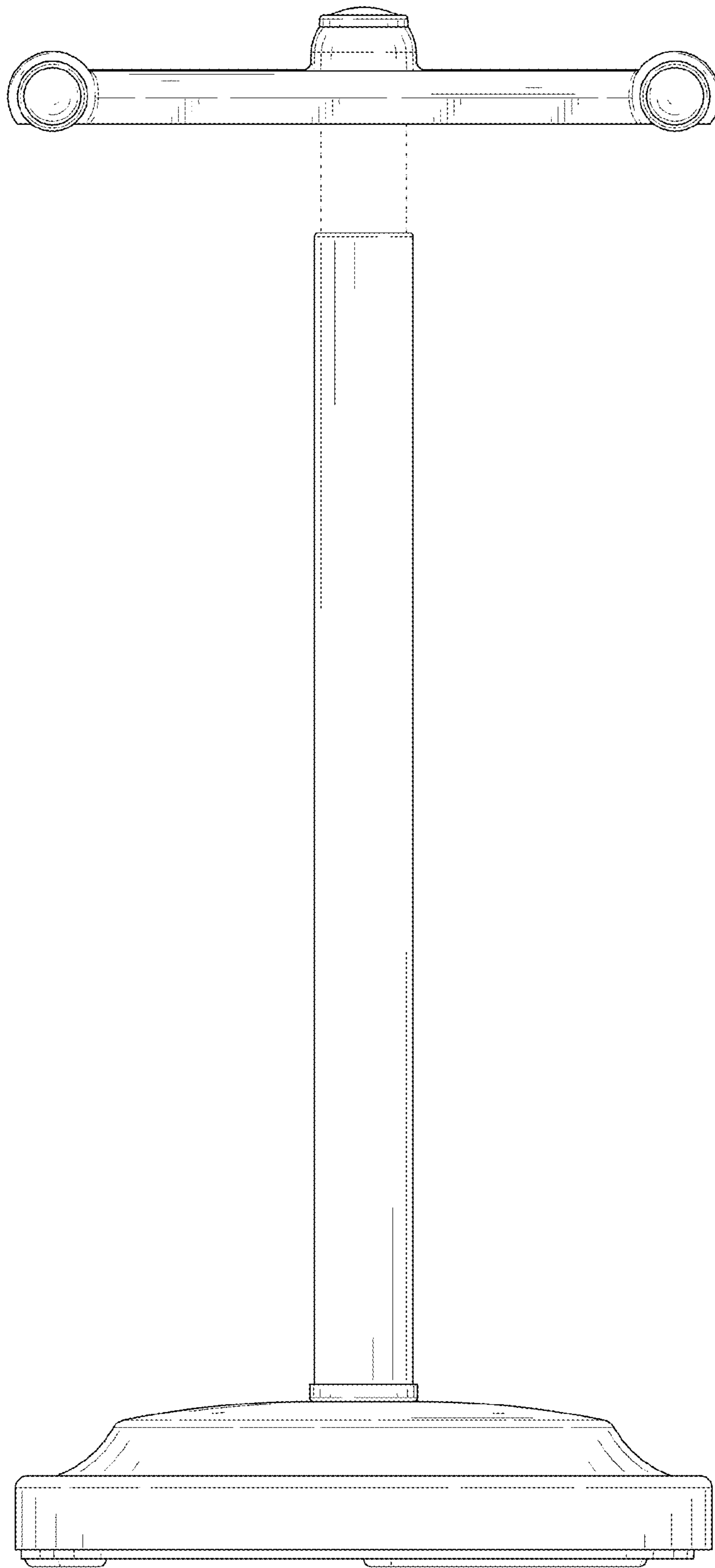


FIG. 3

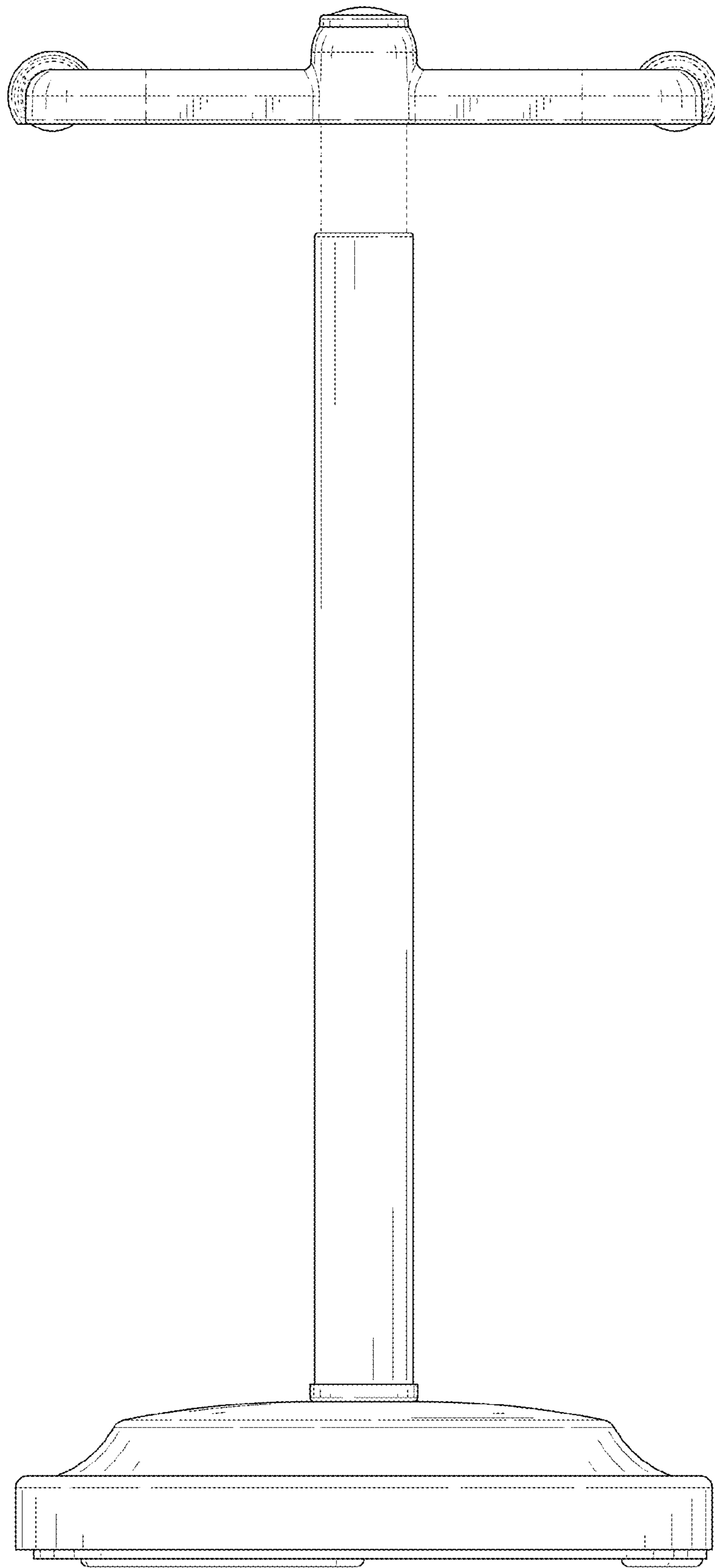


FIG. 4

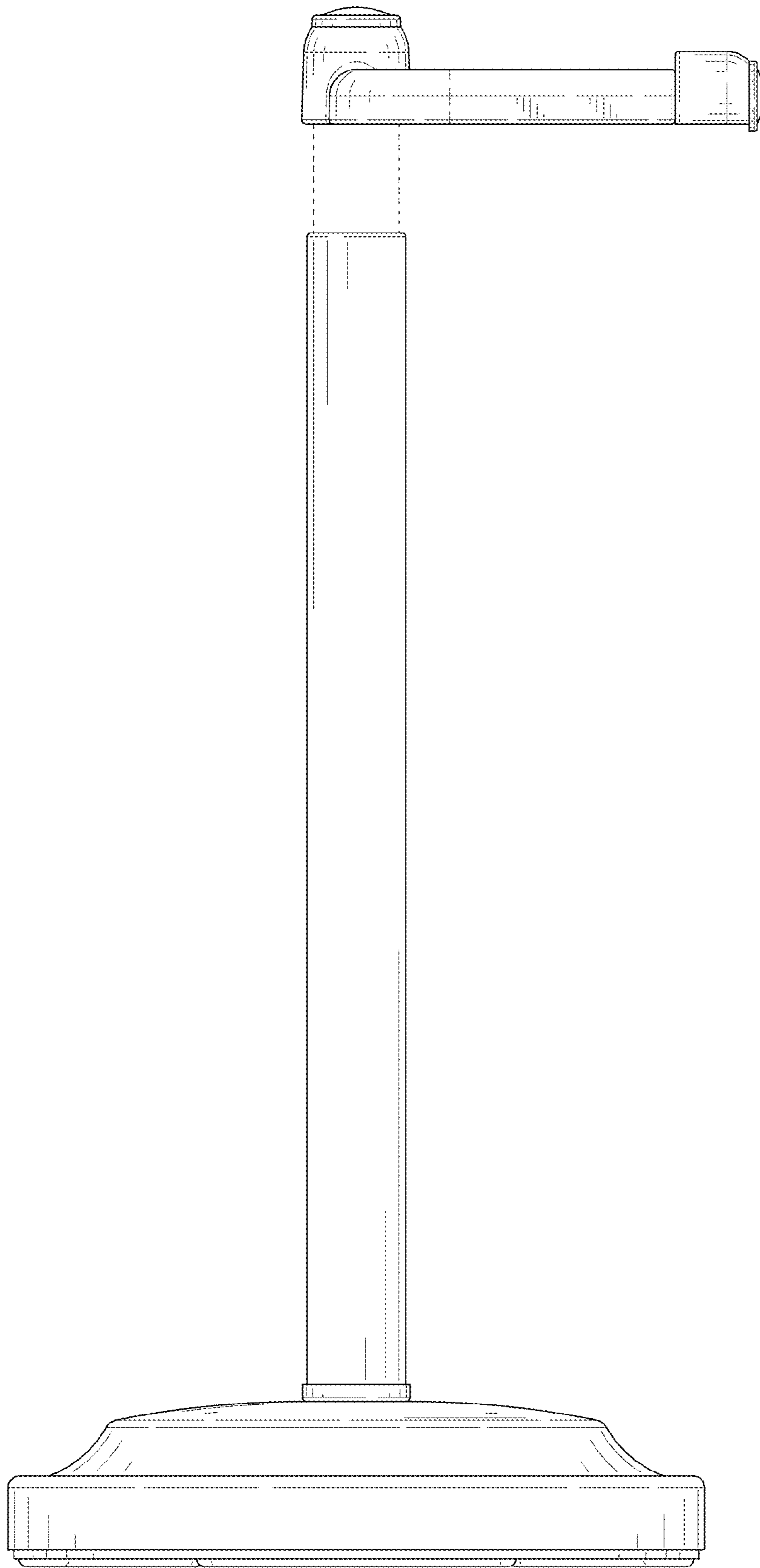


FIG. 5

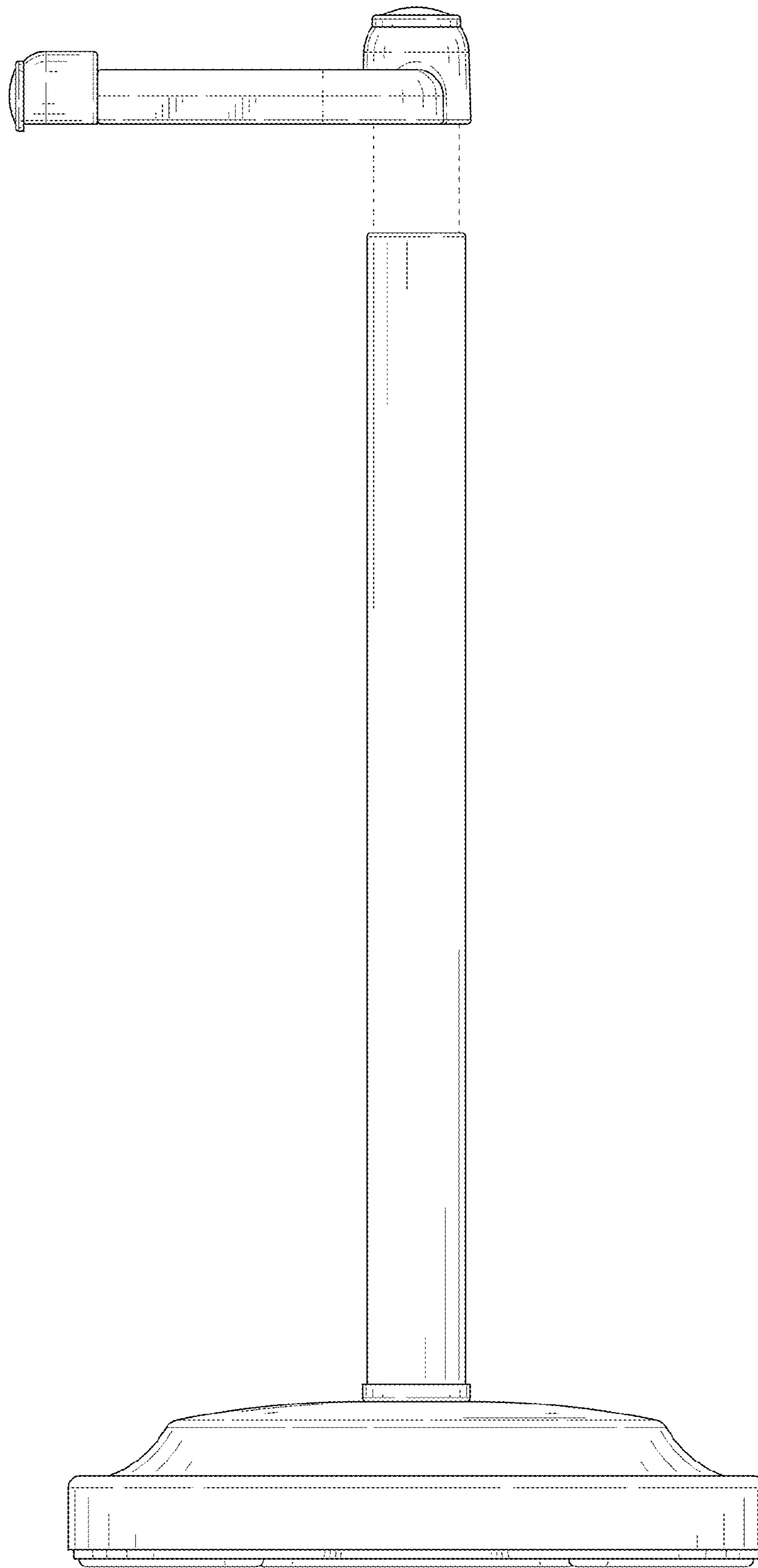


FIG. 6

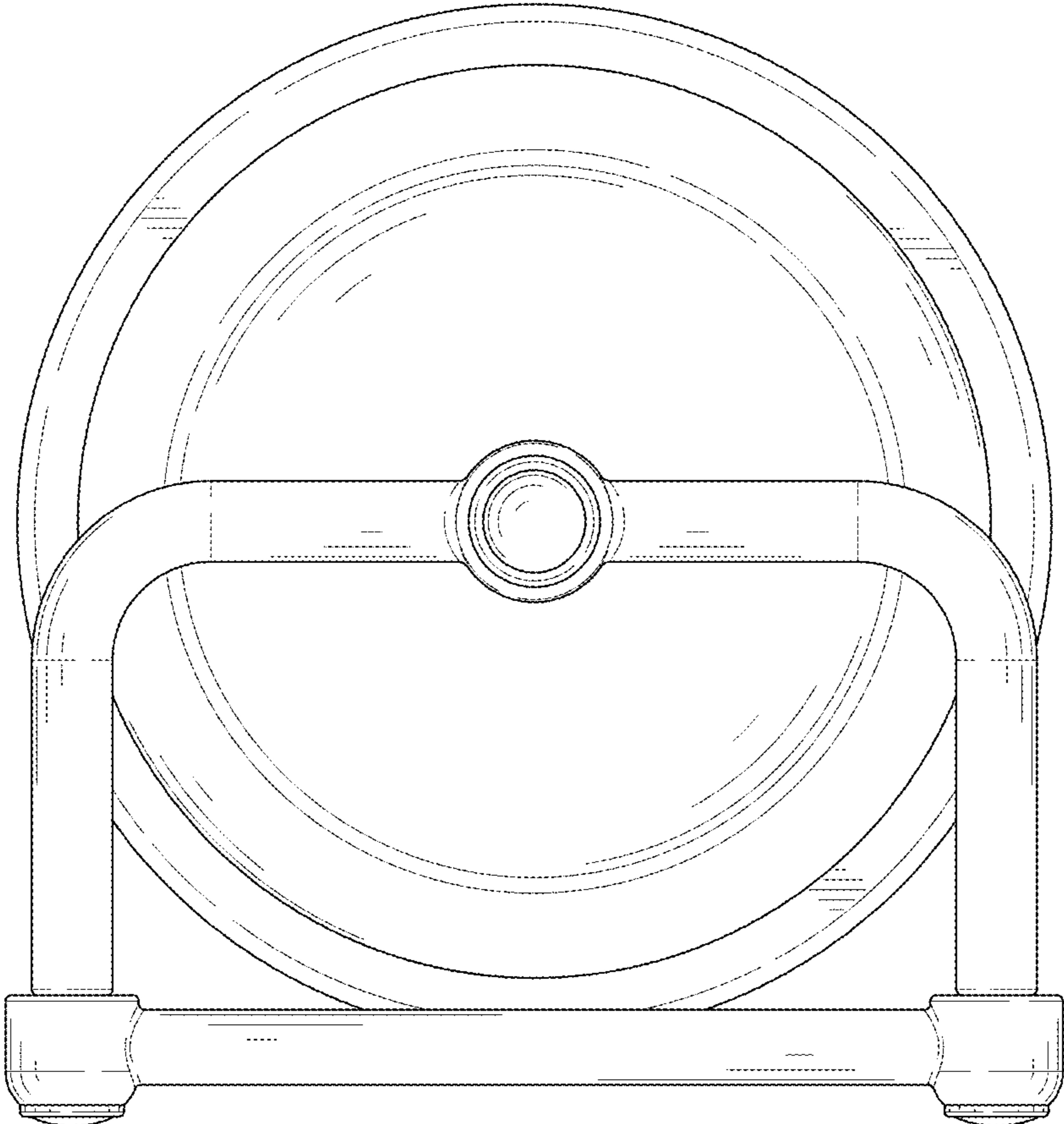


FIG. 7

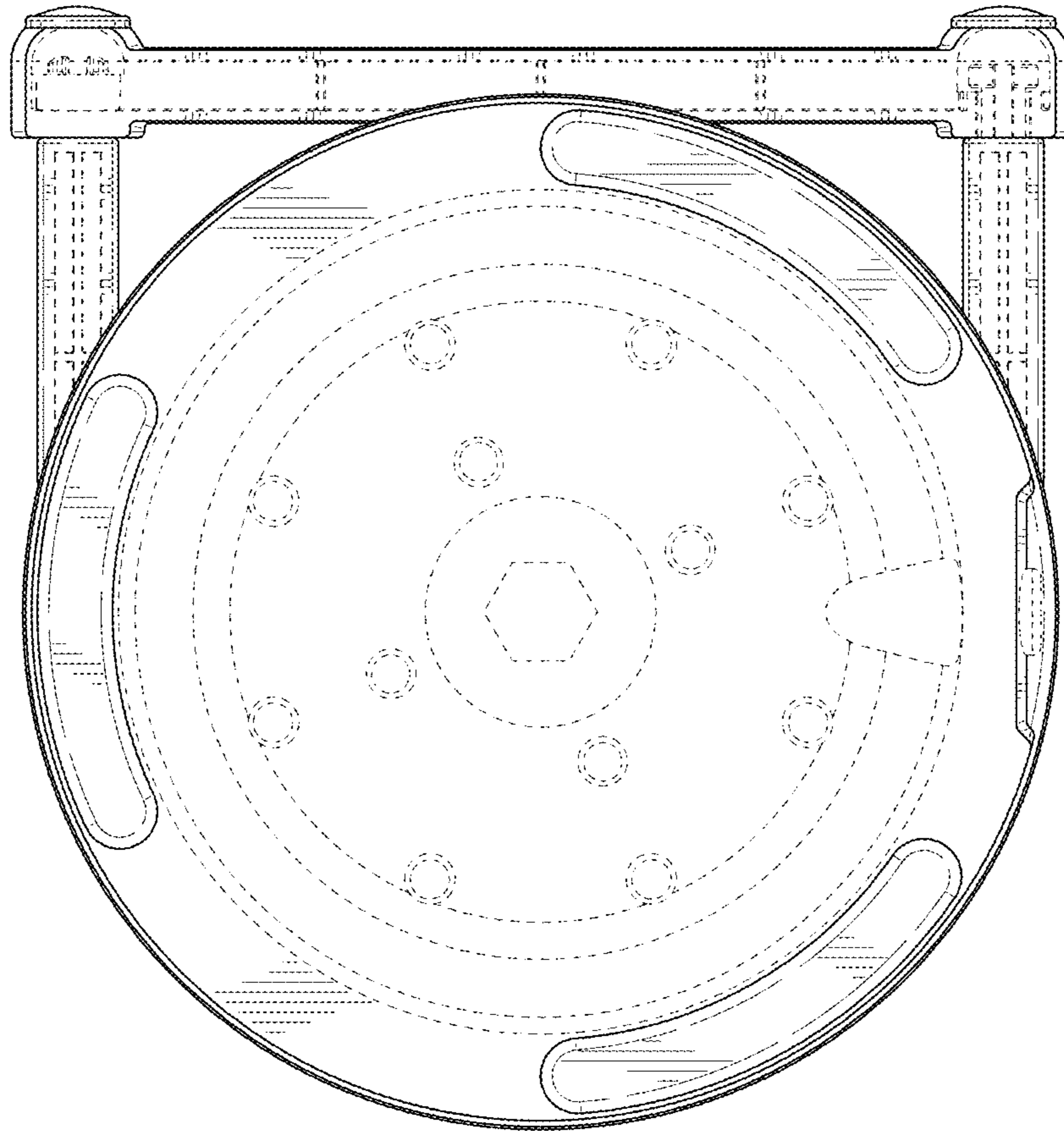


FIG. 8

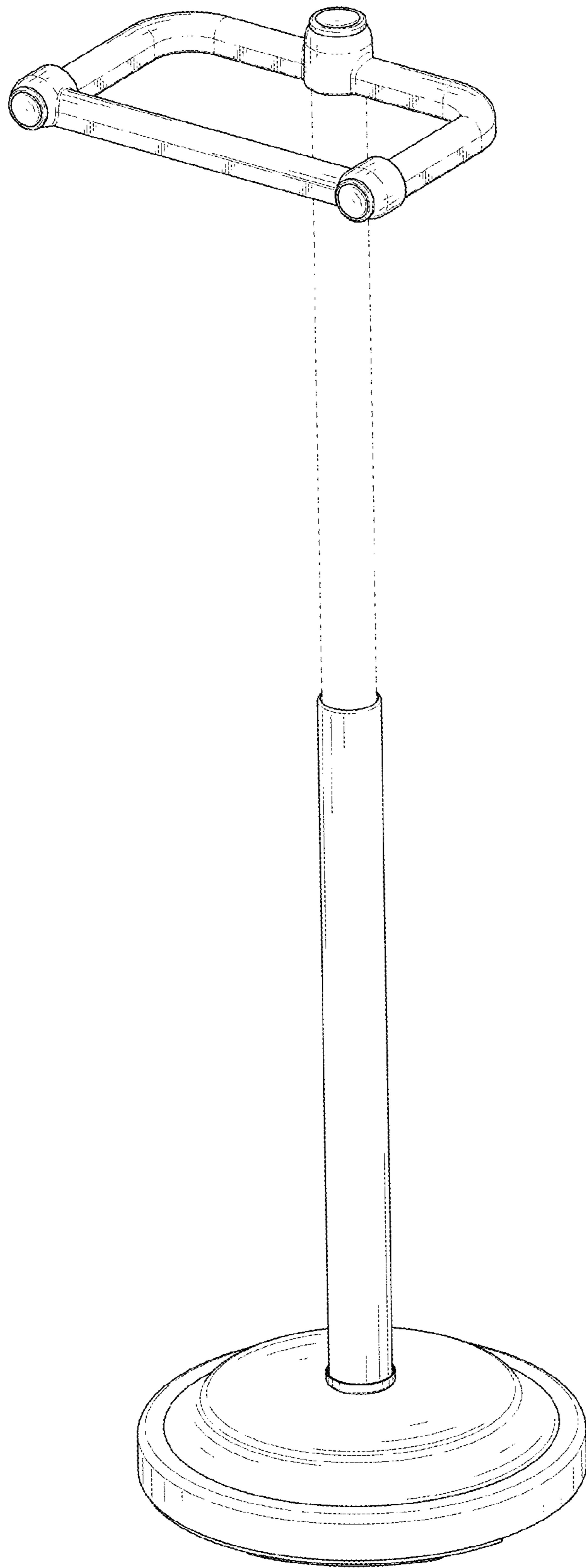


FIG. 9