

US00D999389S

(12) **United States Design Patent**
Lun

(10) **Patent No.:** **US D999,389 S**

(45) **Date of Patent:** **** Sep. 19, 2023**

(54) **COLD TUB ASSEMBLY**

(71) Applicant: **Max Lun**, Santa Clarita, CA (US)

(72) Inventor: **Max Lun**, Santa Clarita, CA (US)

(**) Term: **15 Years**

(21) Appl. No.: **29/871,313**

(22) Filed: **Feb. 16, 2023**

(51) **LOC (14) Cl.** **24-01**

(52) **U.S. Cl.**

USPC **D24/204**; D24/203

(58) **Field of Classification Search**

USPC D24/201–205; D25/1, 3, 15, 100;
D23/283, 315, 316

CPC A61H 33/0087; A61H 33/60; A61H 33/00;
A61H 33/06; A61H 33/066; A61H
2033/061; A61H 2201/10; A61H 33/067;
A61H 2033/068; A61H 33/10; A61H
2201/50; A61H 15/00; A61H 2009/0035;

(Continued)

(56) **References Cited**

U.S. PATENT DOCUMENTS

3,788,306 A 1/1974 Eberhard
D255,932 S * 7/1980 D’Innocente D23/277

(Continued)

FOREIGN PATENT DOCUMENTS

CN 2020211796073 10/2020

OTHER PUBLICATIONS

Siberian Cold Plunge (Large Size). Oct. 5, 2020. Site visited Apr. 4, 2023. [<https://www.renuthera.com/products/siberian-cold-plunge-large-size?variant=39451948843054>] (Year: 2020).*

(Continued)

Primary Examiner — Wendy L Arminio
Assistant Examiner — Maheen Khurshid

(57) **CLAIM**

The ornamental design for a cold tub assembly, as shown and described.

DESCRIPTION

FIG. 1 is a front left perspective view of a cold tub assembly showing my new design;

FIG. 2 is a front left perspective view of the cold tub assembly, shown in an alternate configuration with the tub cover removed;

FIG. 3 is a front left perspective view of the cold tub assembly shown in a state of use;

FIG. 4 is a front left perspective view of the cold tub assembly, shown in a second state of use;

FIG. 5 is a front elevational view of the cold tub assembly;

FIG. 6 is a left side elevational view of the cold tub assembly;

FIG. 7 is a rear left perspective view of the cold tub assembly;

FIG. 8 is a rear elevational view of the cold tub assembly;

FIG. 9 is a rear right perspective view of the cold tub assembly, shown in another state of use;

FIG. 10 is a right side elevational view of the cold tub assembly;

FIG. 11 is a front right perspective view of the cold tub assembly;

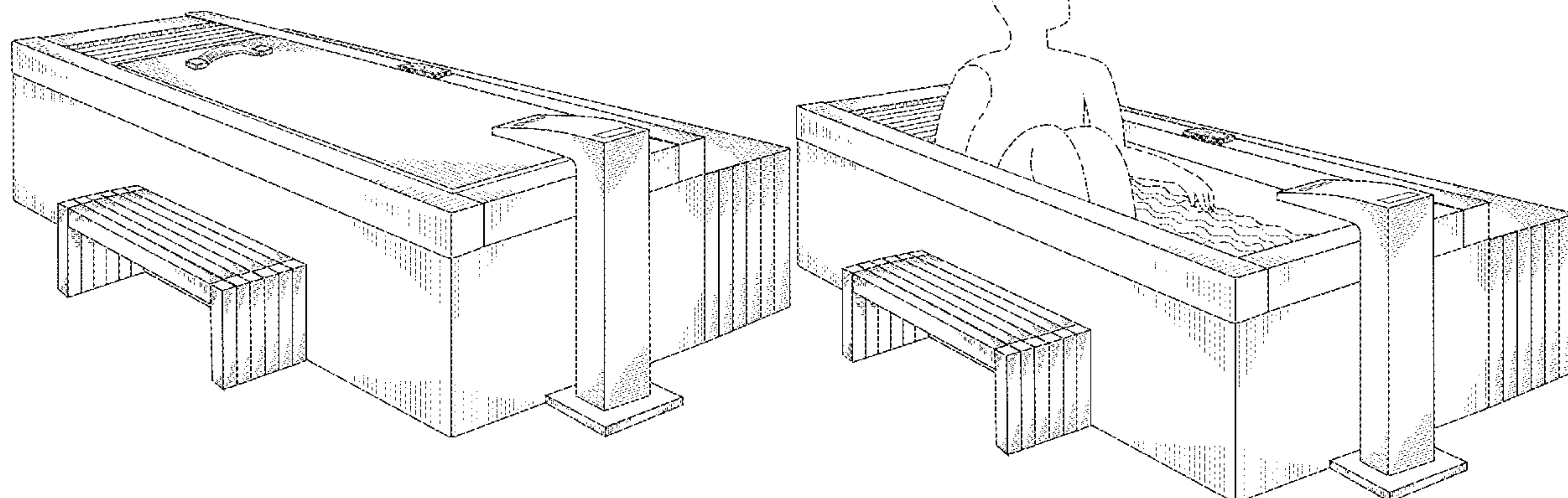
FIG. 12 is a top plan view of the cold tub assembly; and, FIG. 13 is an enlarged detail view indicated with the number 13 in FIG. 11.

The depth of the tub interior is not part of the claimed design.

The dashed broken lines in the drawings depict environment and form no part of the claimed design.

The dot-dash broken lines in the drawings depict the boundary of the enlarged detail views and form no part of the claimed design.

1 Claim, 13 Drawing Sheets



(58) **Field of Classification Search**
 CPC A61H 2033/044; E04H 4/00; E04H
 2001/1288; E04H 1/125; E04H 1/12;
 E04H 1/1205
 See application file for complete search history.

(56) **References Cited**

U.S. PATENT DOCUMENTS

D270,561	S	*	9/1983	Brossier	D23/277
D270,760	S	*	9/1983	Wiley	D23/277
D271,522	S	*	11/1983	Wiley	D23/277
D286,679	S	*	11/1986	D’Innocente	D24/204
D288,239	S	*	2/1987	D’Innocente	D24/204
5,459,887	A		10/1995	Roman		
D385,359	S	*	10/1997	Kelley	D24/204
D454,643	S	*	3/2002	Gibson	D24/204
6,939,366	B2	*	9/2005	Brown, Jr.	A61H 33/06 D24/204
D618,814	S	*	6/2010	Ruhanen	D24/203
D663,853	S	*	7/2012	Zack	D24/203
D663,854	S	*	7/2012	Zack	D24/203
D745,692	S	*	12/2015	Oh	D24/203
D861,906	S		10/2019	Matsushita		
D867,552	S		11/2019	Kiukas		
D903,069	S		11/2020	Tonini		

D916,253	S		4/2021	O’Brien		
D936,234	S		11/2021	Bachand		
2004/0030371	A1	*	2/2004	Barghelame	A61H 33/06 607/96
2007/0050903	A1	*	3/2007	Sappenfield	A61H 33/06 4/524
2009/0019635	A1	*	1/2009	Chen	A61H 33/066 4/531
2010/0017953	A1	*	1/2010	O’Keeffe	A61H 33/06 219/480
2011/0293253	A1		12/2011	Zack		
2014/0171844	A1	*	6/2014	Richmond	A61H 33/6005 601/154
2015/0020304	A1	*	1/2015	Rabon	E04H 4/08 4/498
2015/0366752	A1	*	12/2015	Hatley	A61H 33/02 4/541.3
2018/0092805	A1	*	4/2018	Perovic	A61H 33/06

OTHER PUBLICATIONS

BlueCube Ice Bath and Cold Plunges. Mar. 9, 2022. Site visited Apr. 4, 2023. [https://www.youtube.com/watch?v=Zs6zAEp-R_M] (Year: 2022).*

* cited by examiner

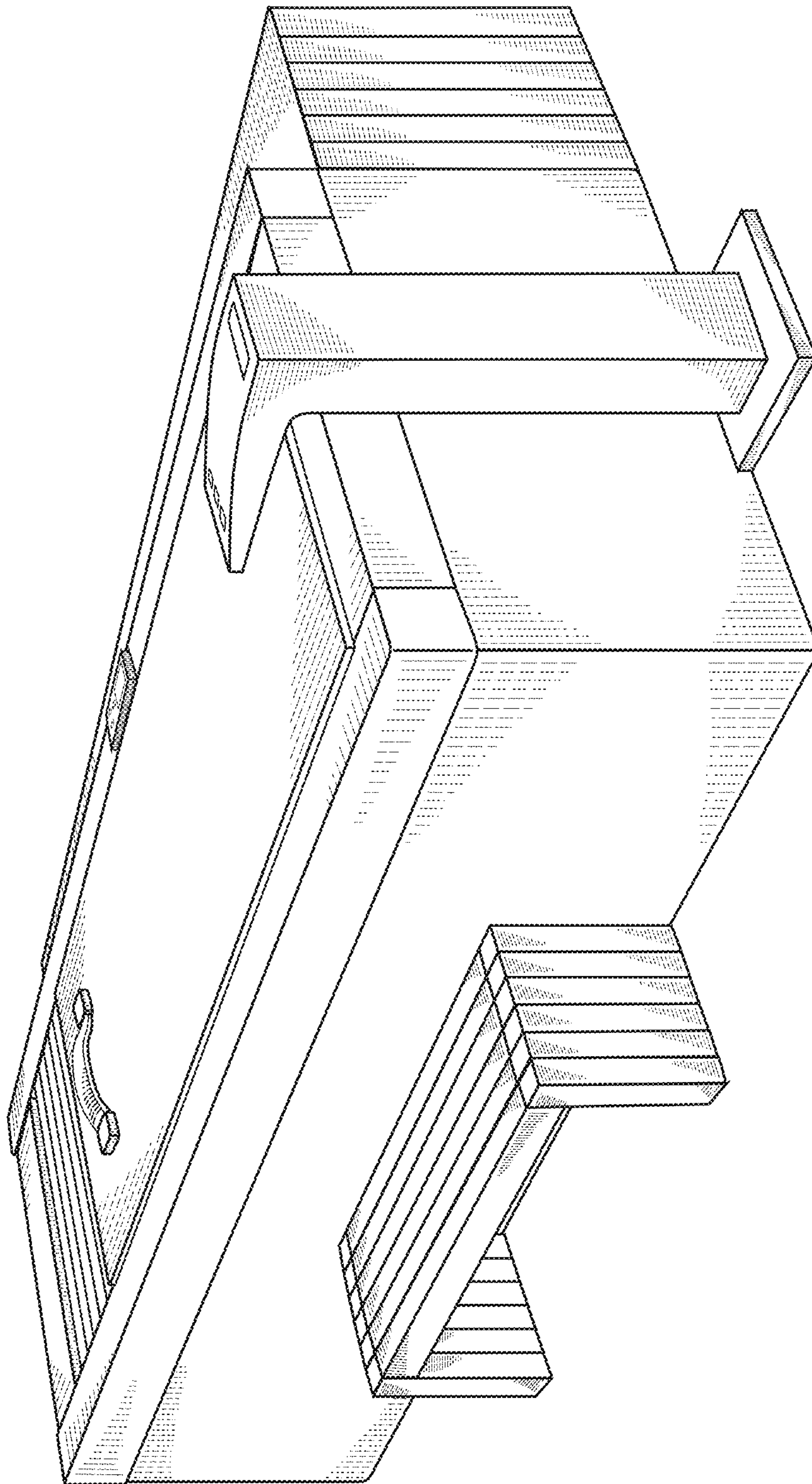


FIG. 1

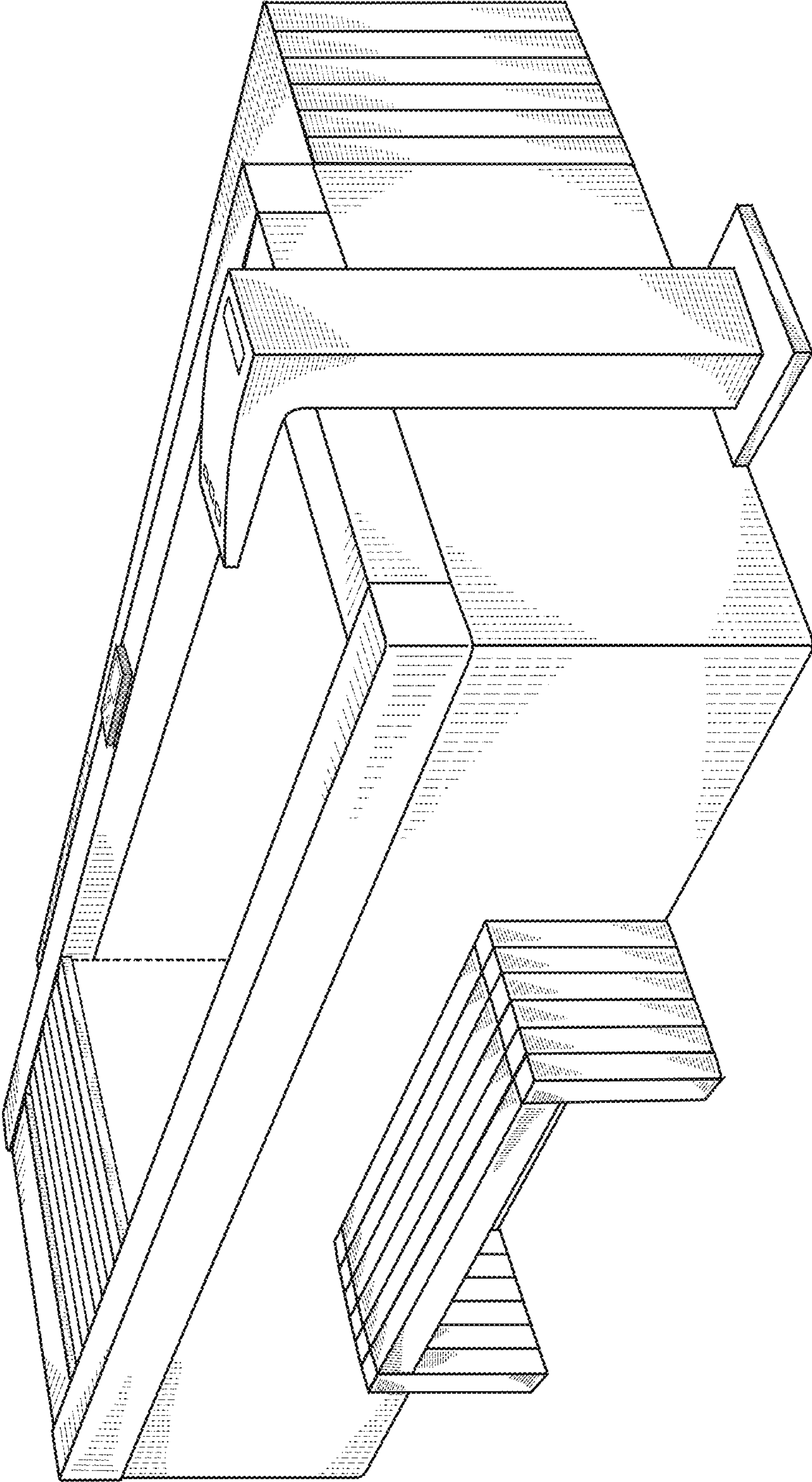


FIG. 2

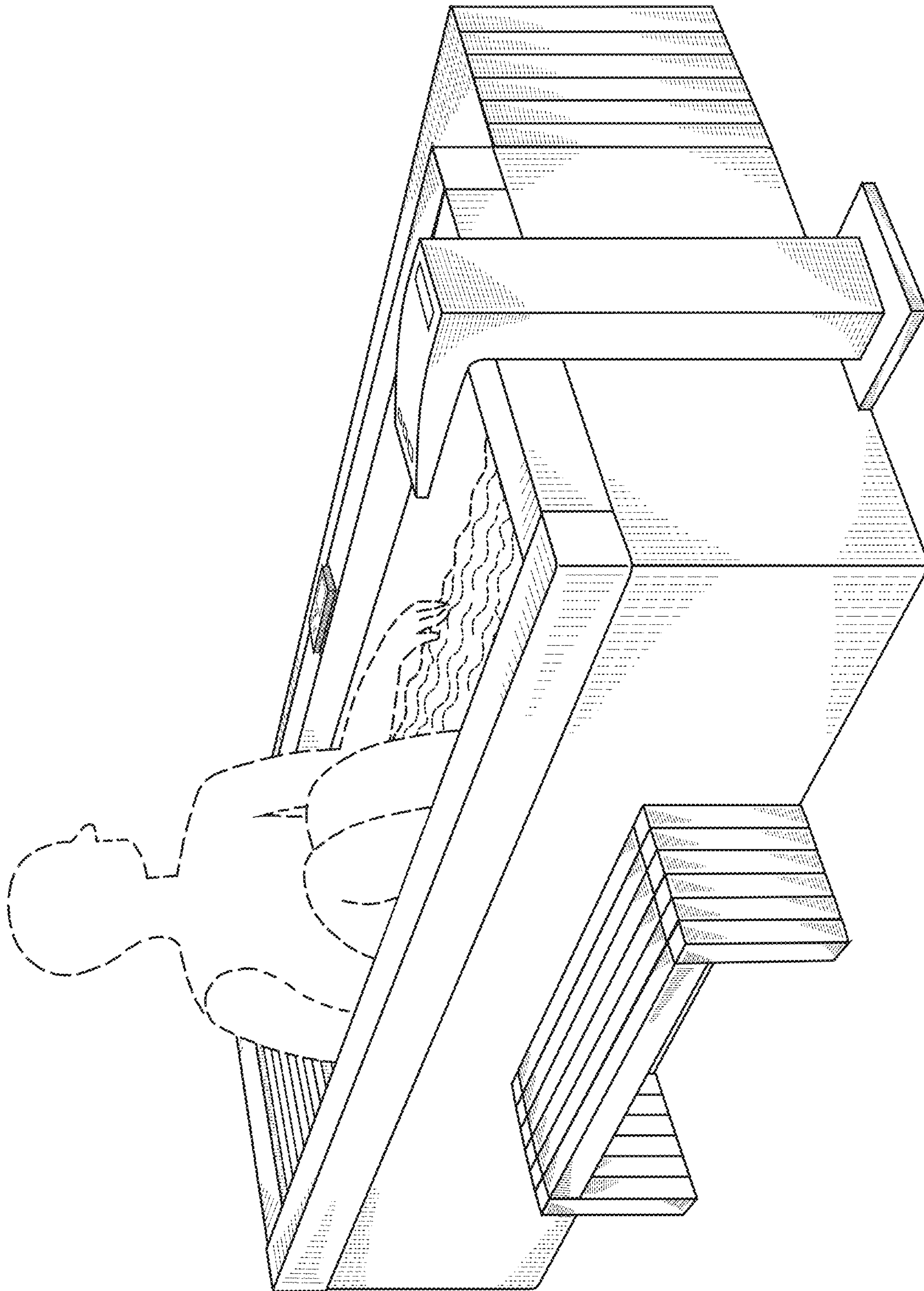


FIG. 3

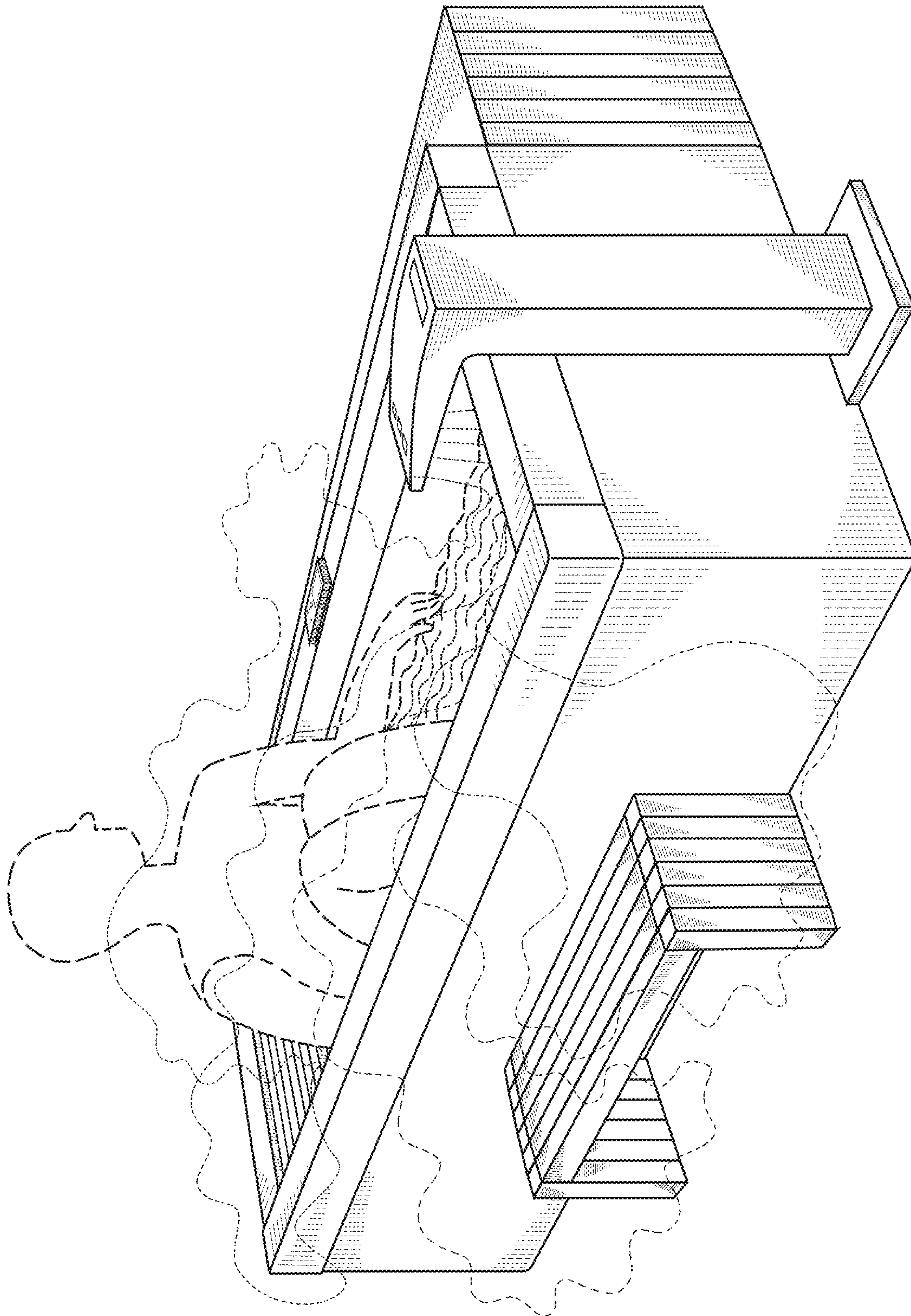


FIG. 4

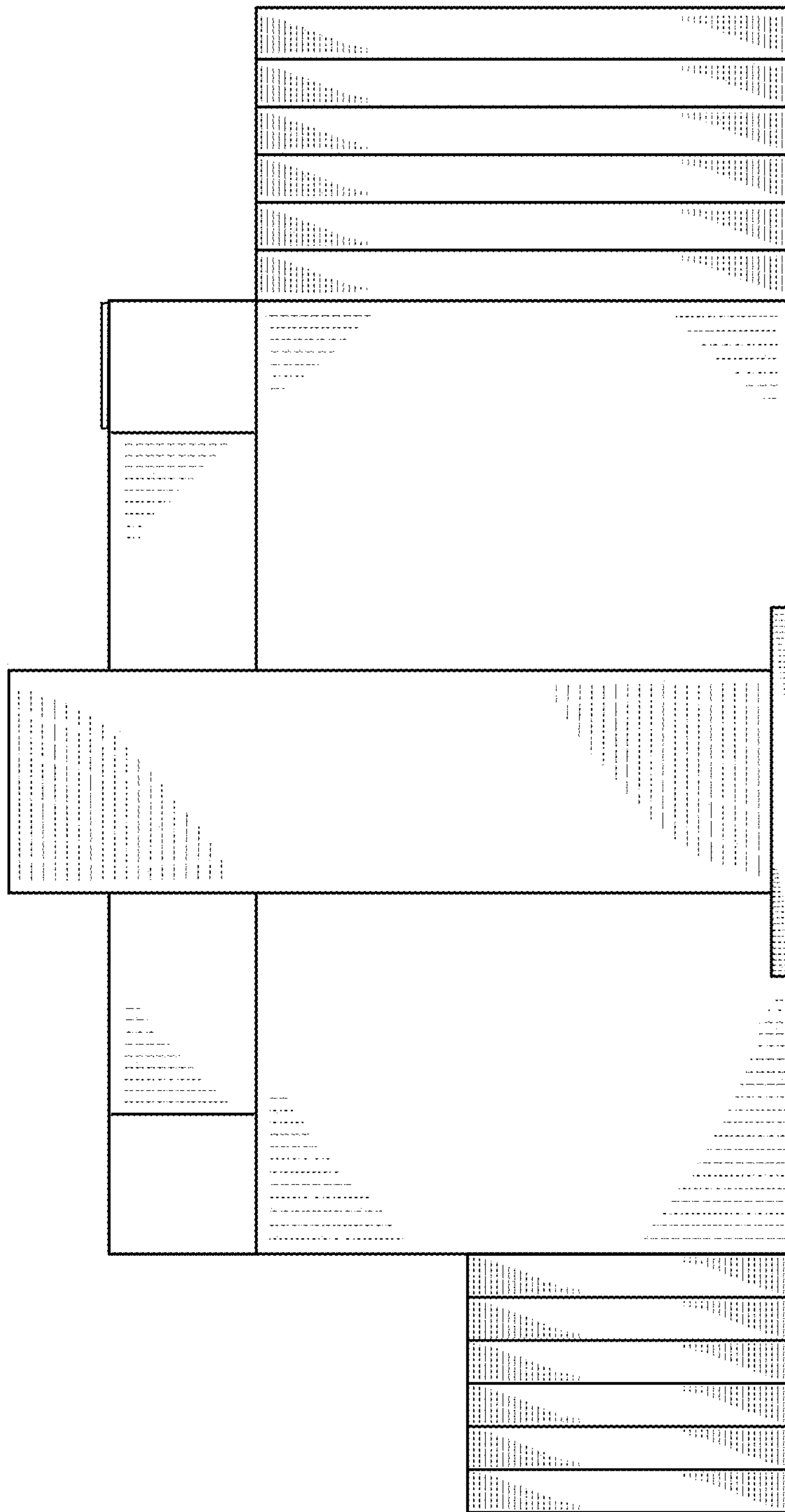


FIG. 5

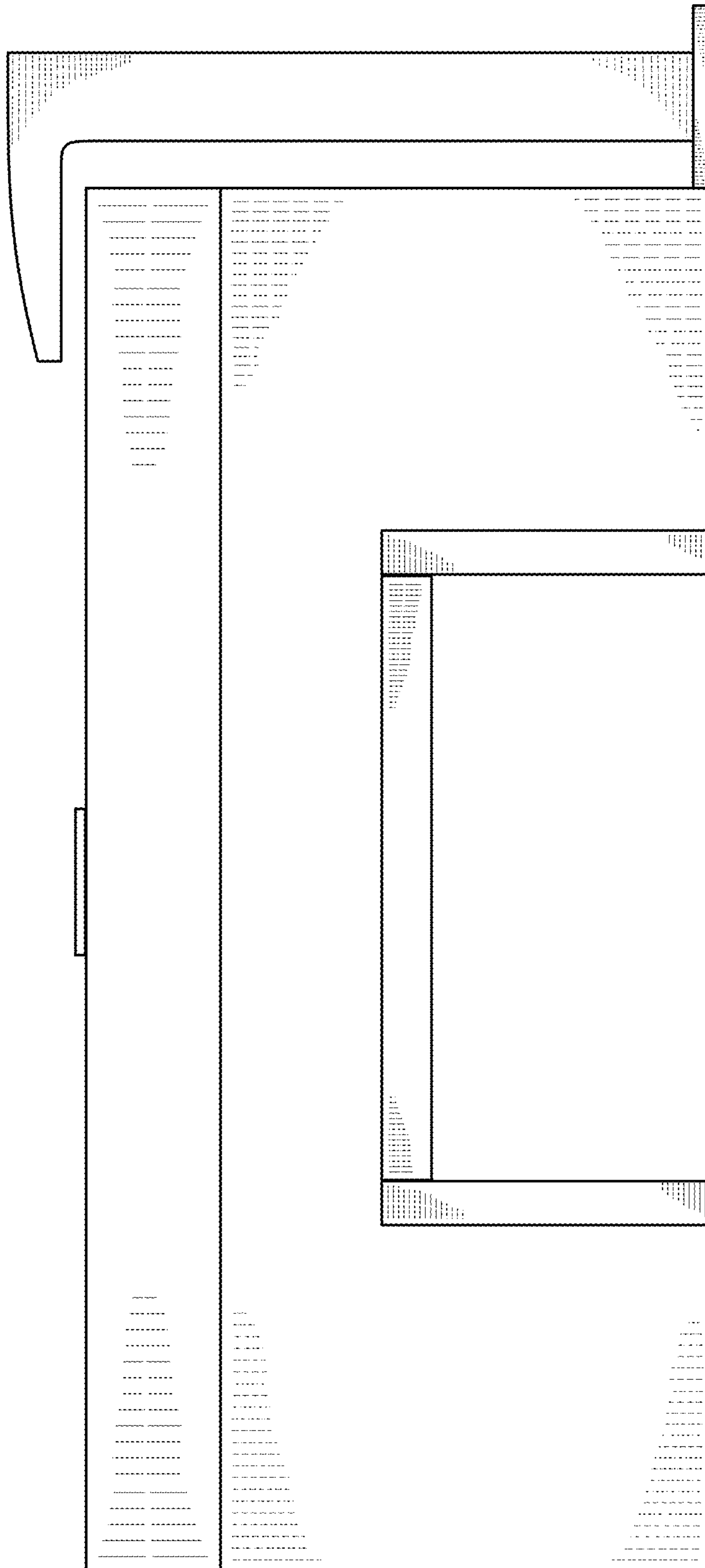


FIG. 6

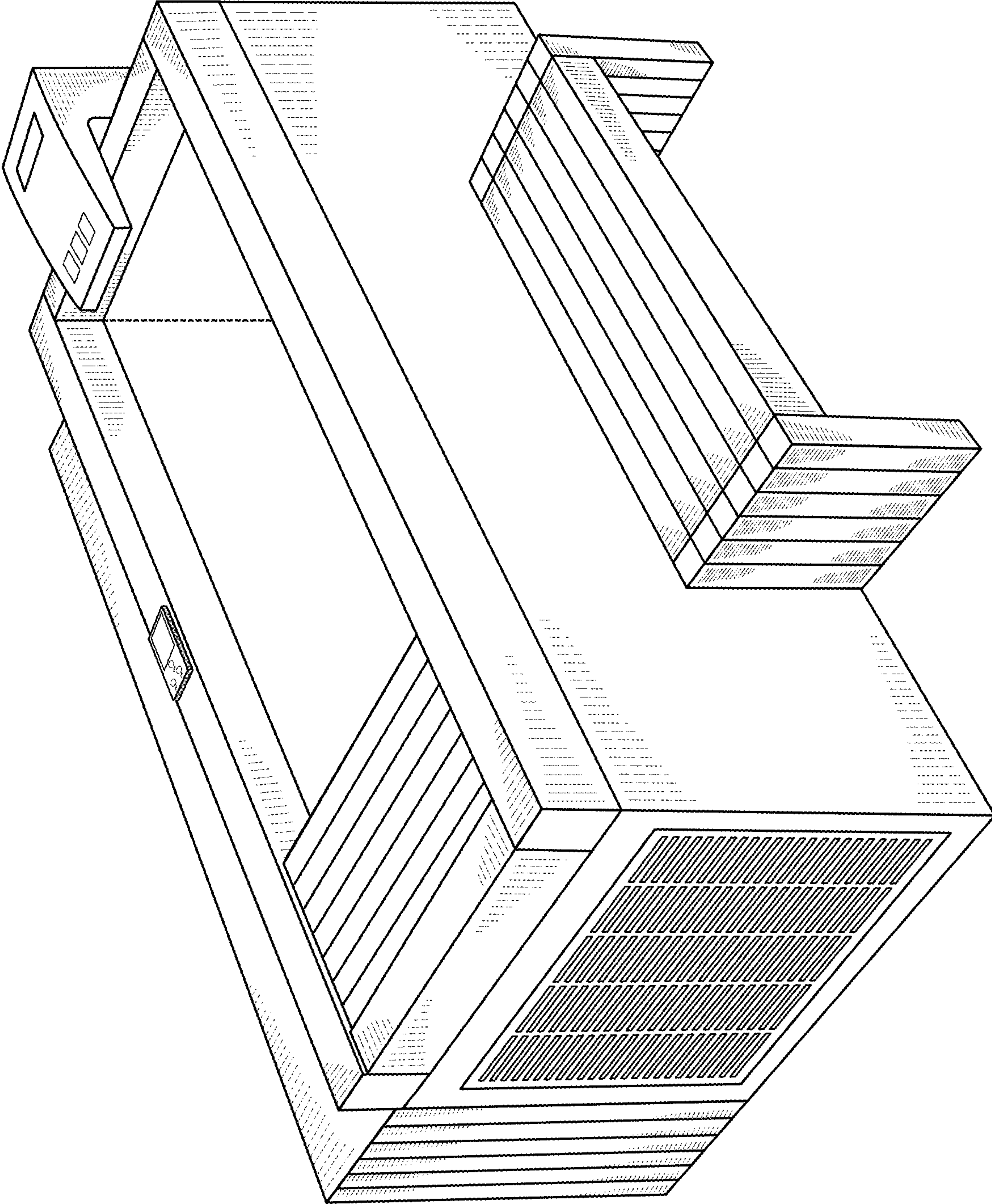


FIG. 7

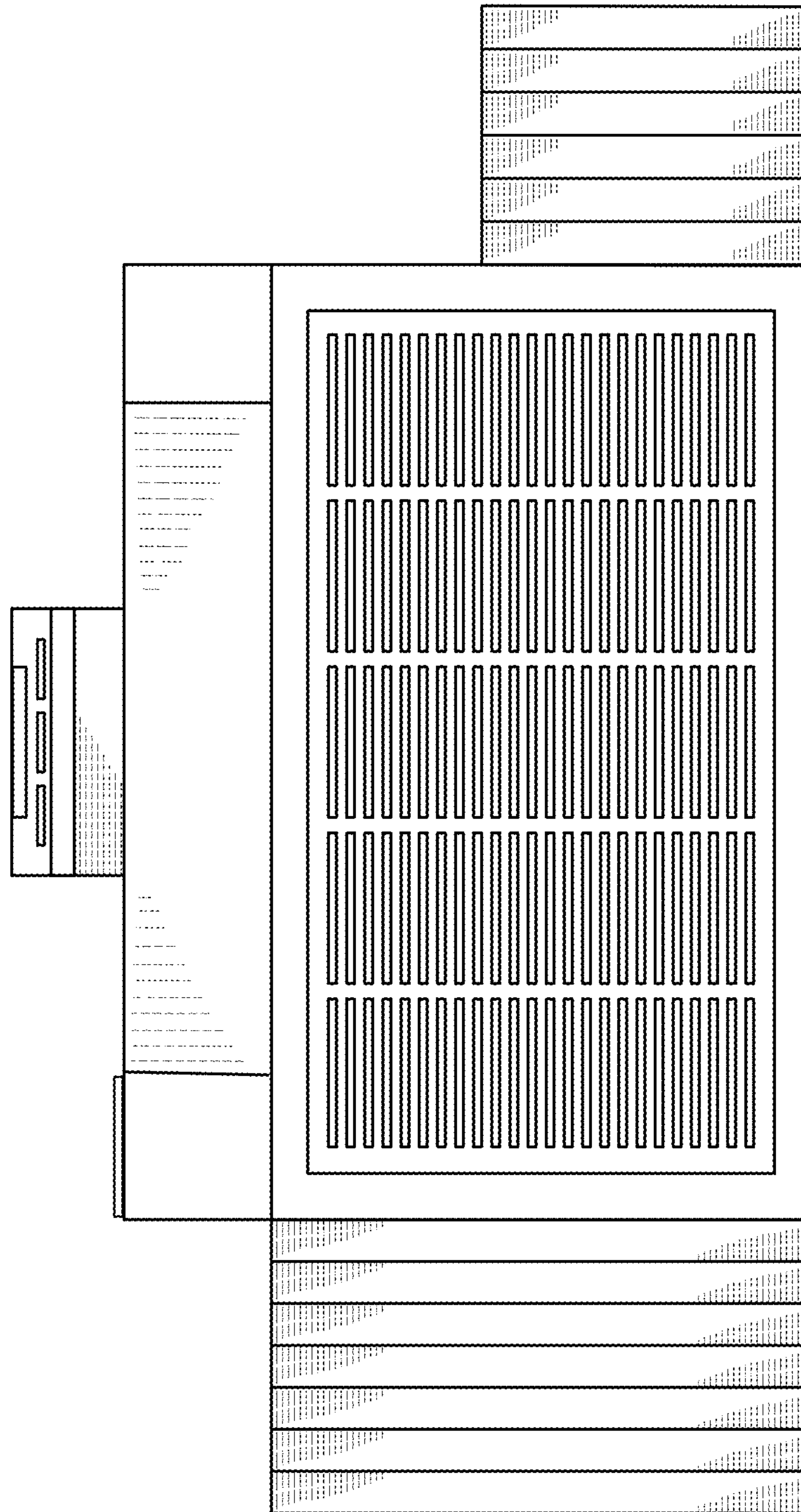


FIG. 8

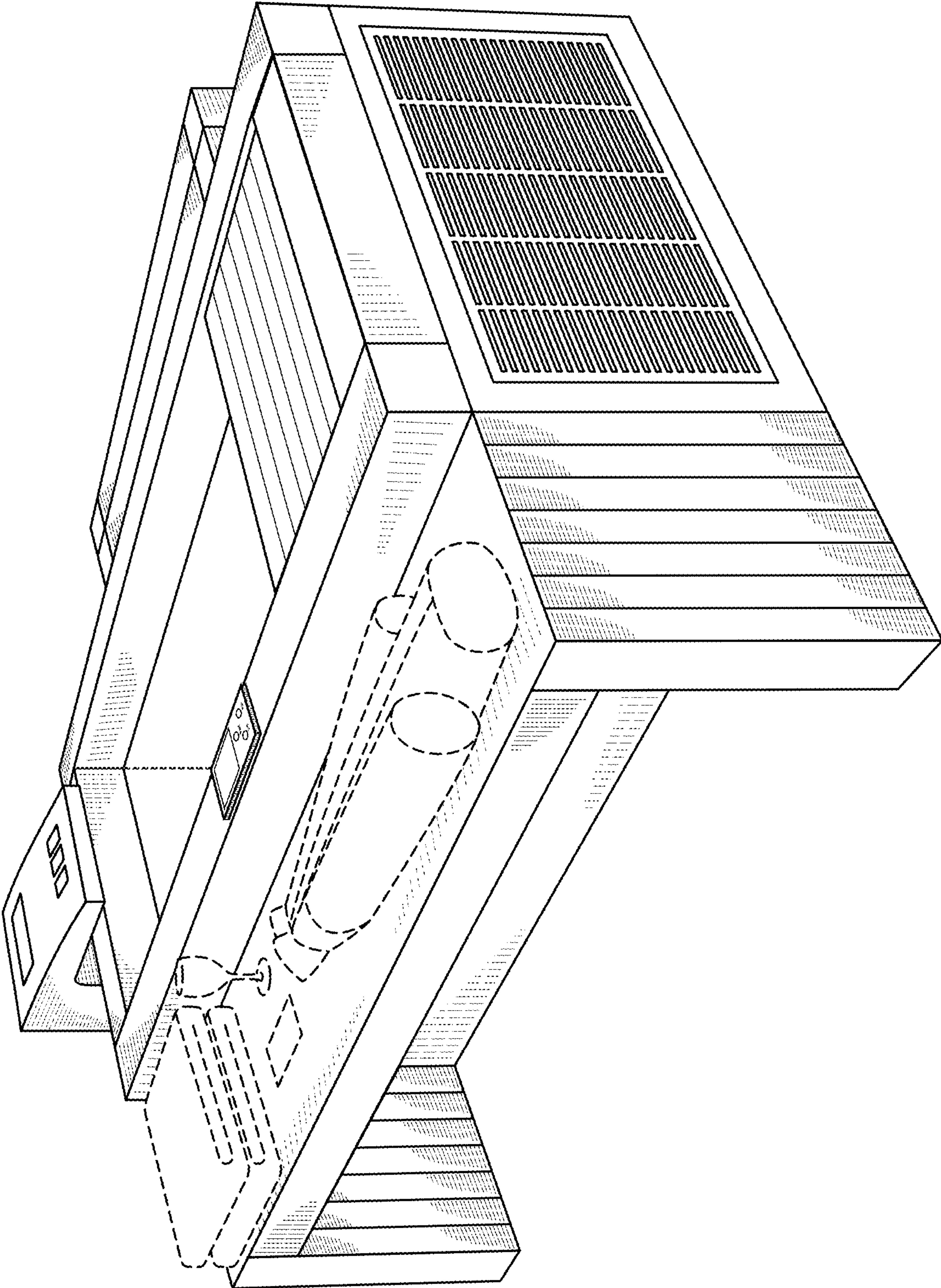


FIG. 9

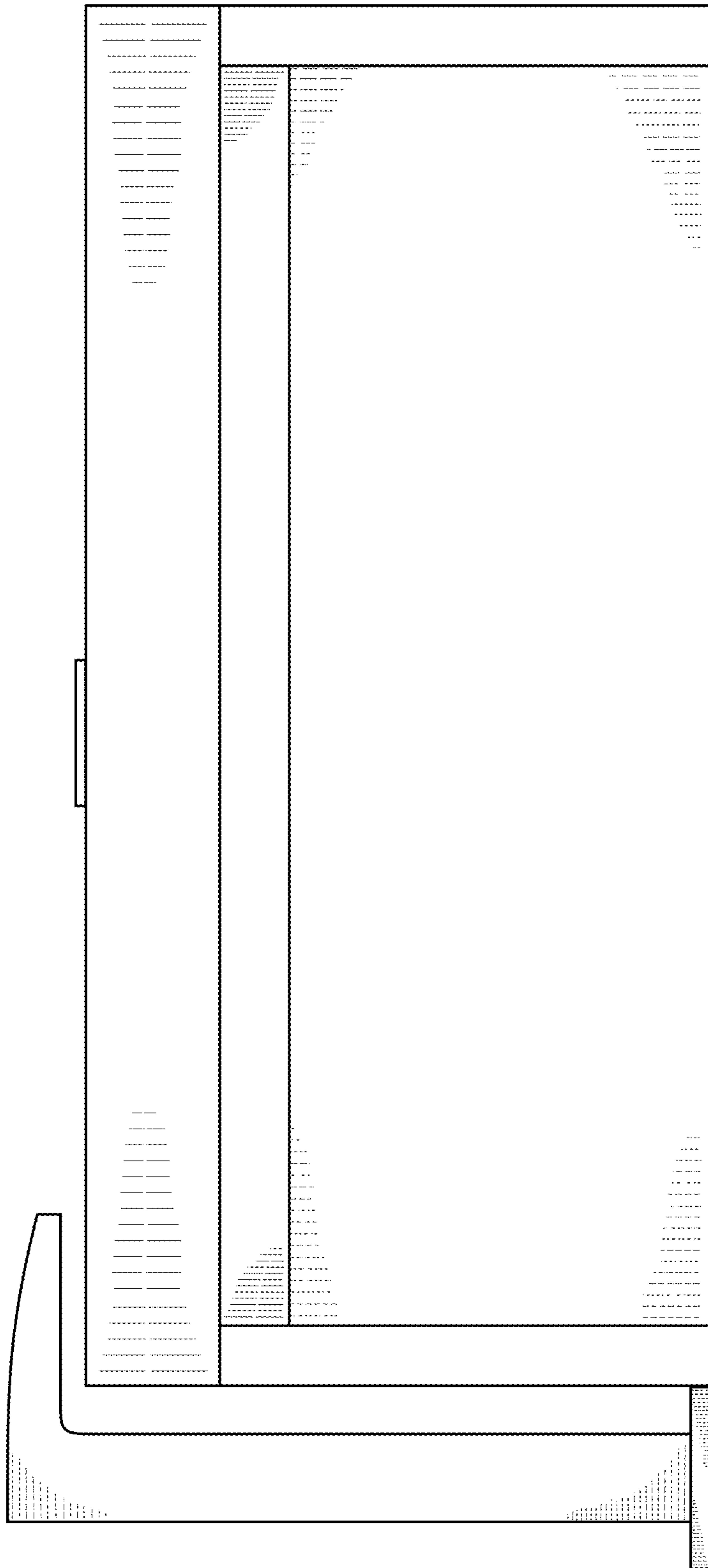


FIG. 10

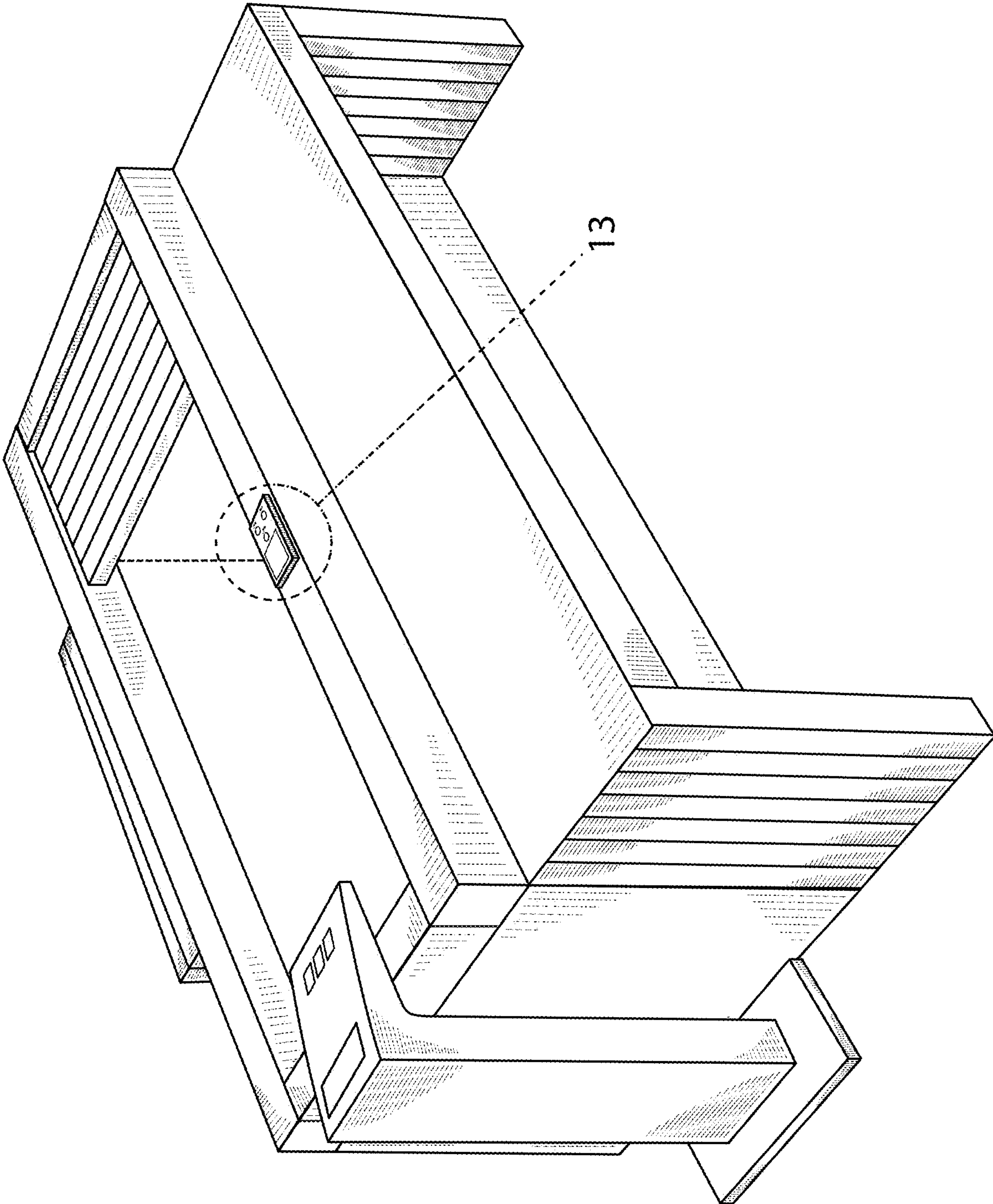


FIG. 11

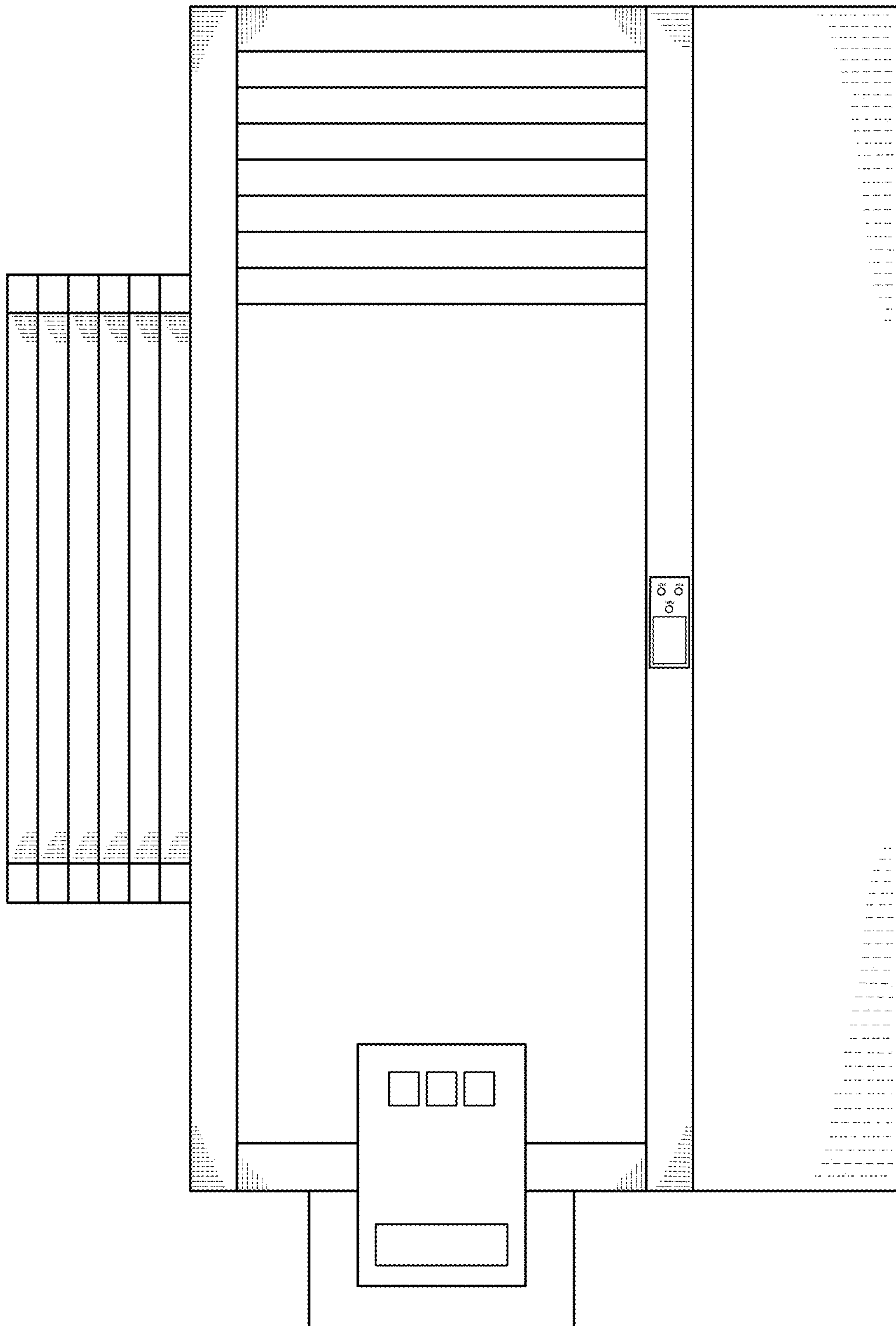


FIG. 12

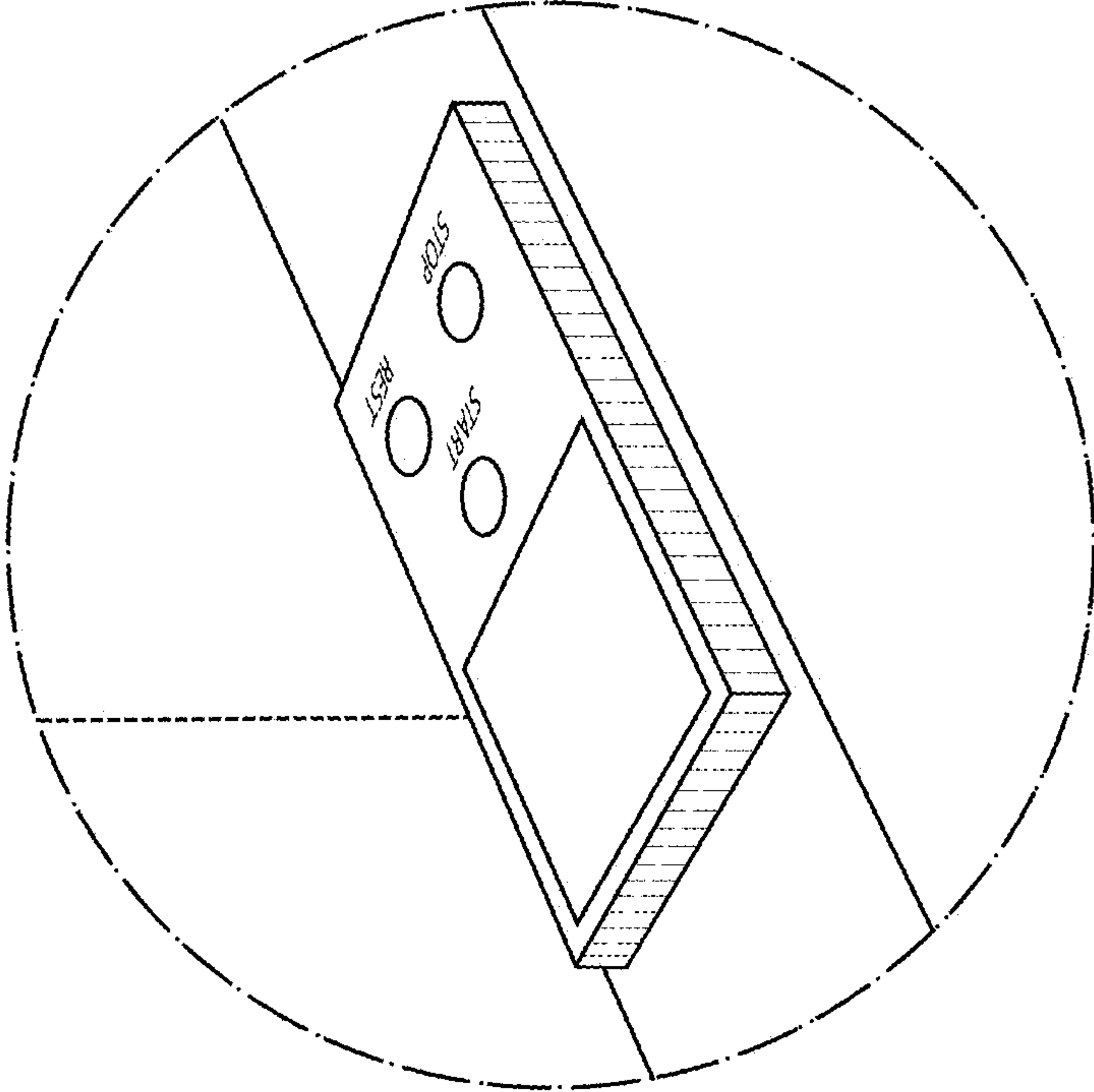


FIG. 13