



US00D999348S

(12) **United States Design Patent**
Du

(10) **Patent No.:** **US D999,348 S**

(45) **Date of Patent:** **** Sep. 19, 2023**

(54) **PORTABLE TOILET**

(71) Applicant: **Xiuling Du**, Shenzhen (CN)

(72) Inventor: **Xiuling Du**, Shenzhen (CN)

(**) Term: **15 Years**

(21) Appl. No.: **29/827,107**

(22) Filed: **Feb. 17, 2022**

(51) **LOC (14) Cl.** **23-02**

(52) **U.S. Cl.**
USPC **D23/299**

(58) **Field of Classification Search**
USPC D23/299
CPC A47K 11/00; A47K 11/02; A47K 11/06
See application file for complete search history.

(56) **References Cited**

U.S. PATENT DOCUMENTS

- 3,723,999 A * 4/1973 Miller A47K 11/026
4/484
- D255,597 S * 6/1980 Sargent D23/299
- D257,385 S * 10/1980 Sargent D23/299

- D262,051 S * 11/1981 Sargent D23/299
- D532,492 S * 11/2006 Giese D23/299
- D620,090 S * 7/2010 Jenner D23/299

* cited by examiner

Primary Examiner — Robert A Delehanty

(74) *Attorney, Agent, or Firm* — Georgi Korobanov

(57) **CLAIM**

The ornamental design for a portable toilet, as shown and described.

DESCRIPTION

FIG. 1 is a perspective view of a portable toilet, showing my new design;
 FIG. 2 is another perspective view thereof;
 FIG. 3 is a front view thereof;
 FIG. 4 is a rear view thereof;
 FIG. 5 is a left side view thereof;
 FIG. 6 is a right side view thereof;
 FIG. 7 is a top plan view thereof; and,
 FIG. 8 is a bottom plan view thereof.

The broken lines shown in the drawings illustrate portions of the portable toilet that form no part of the claimed design.

1 Claim, 8 Drawing Sheets



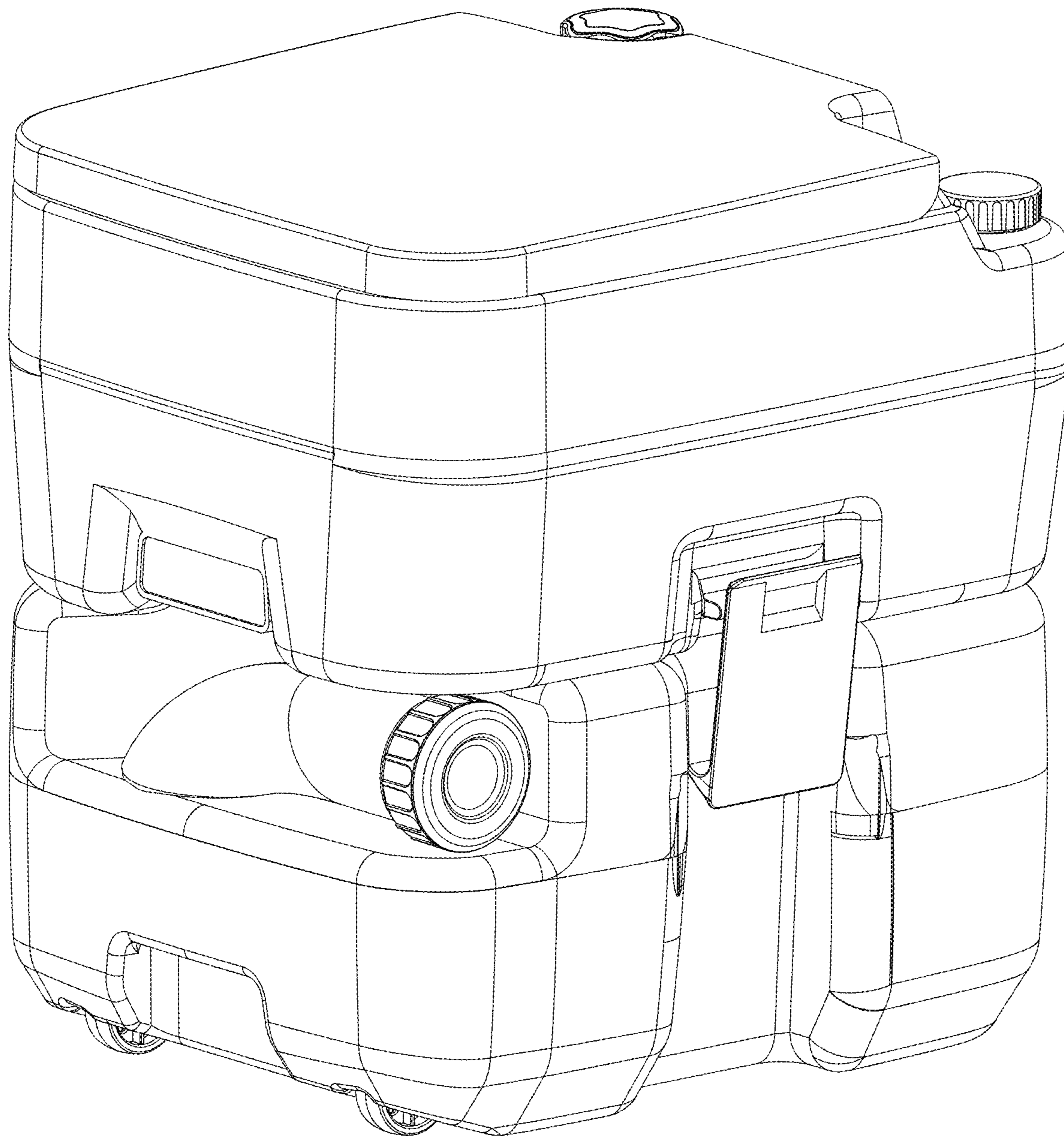


FIG. 1

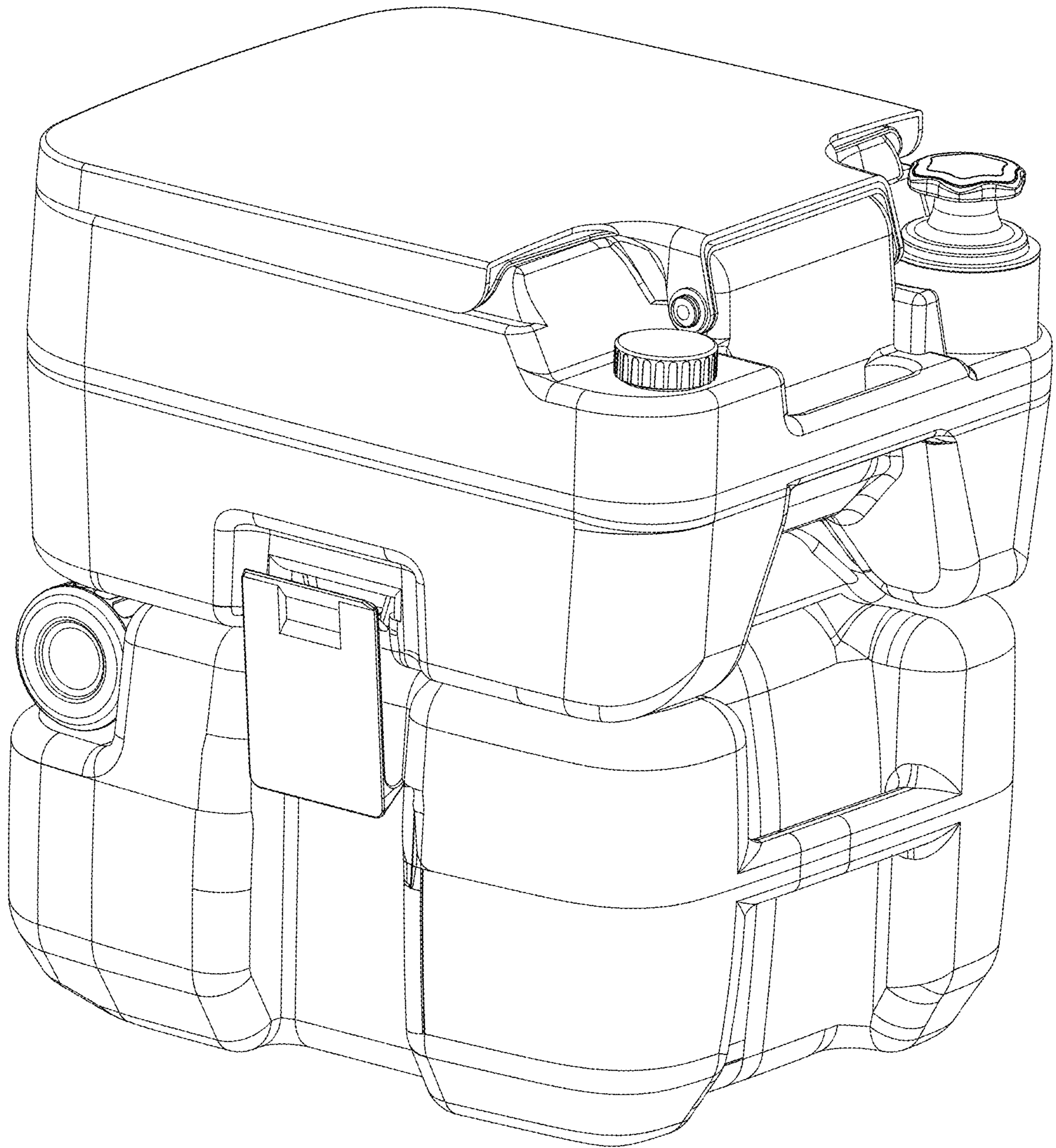


FIG. 2

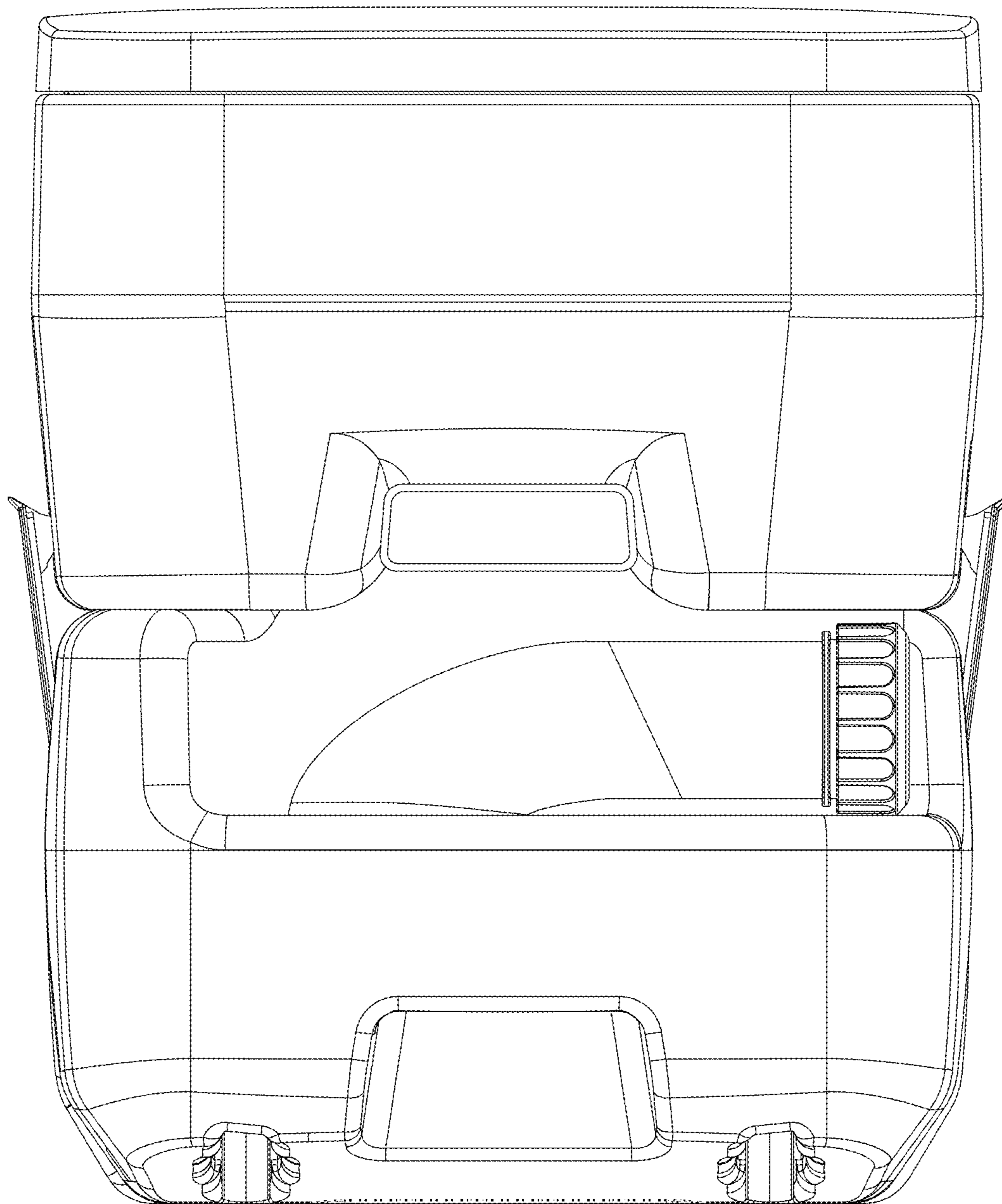


FIG. 3

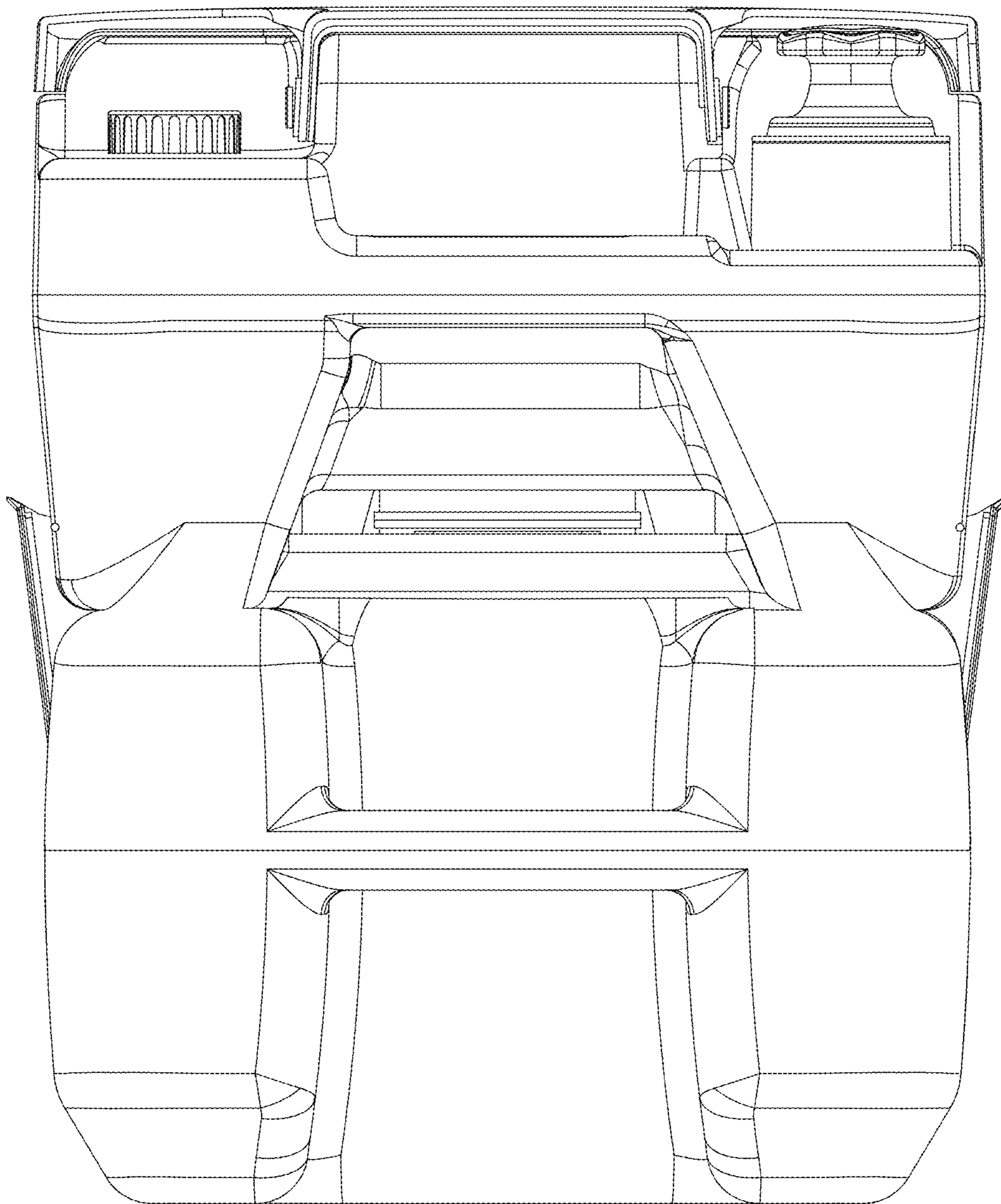


FIG. 4

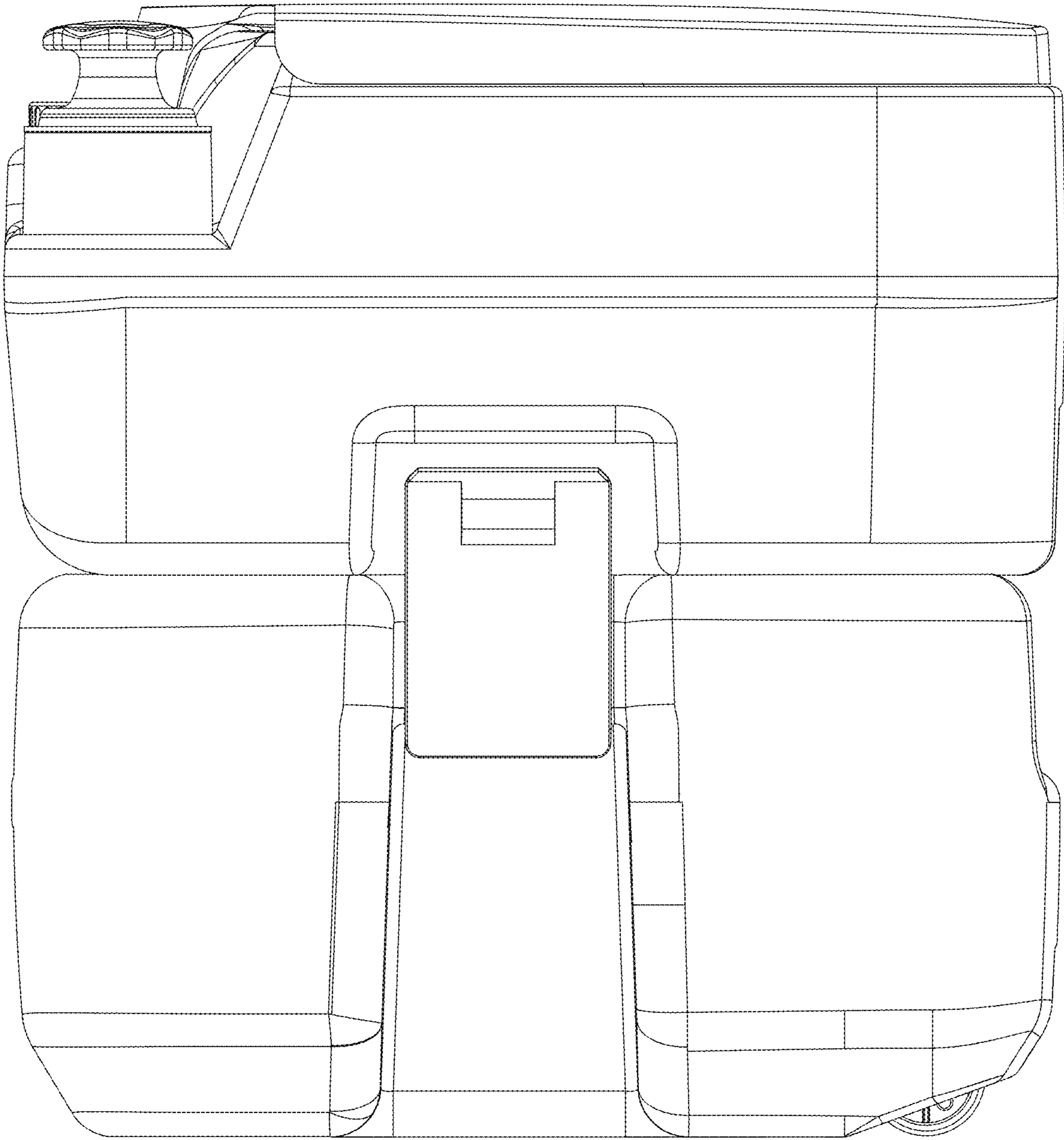


FIG. 5

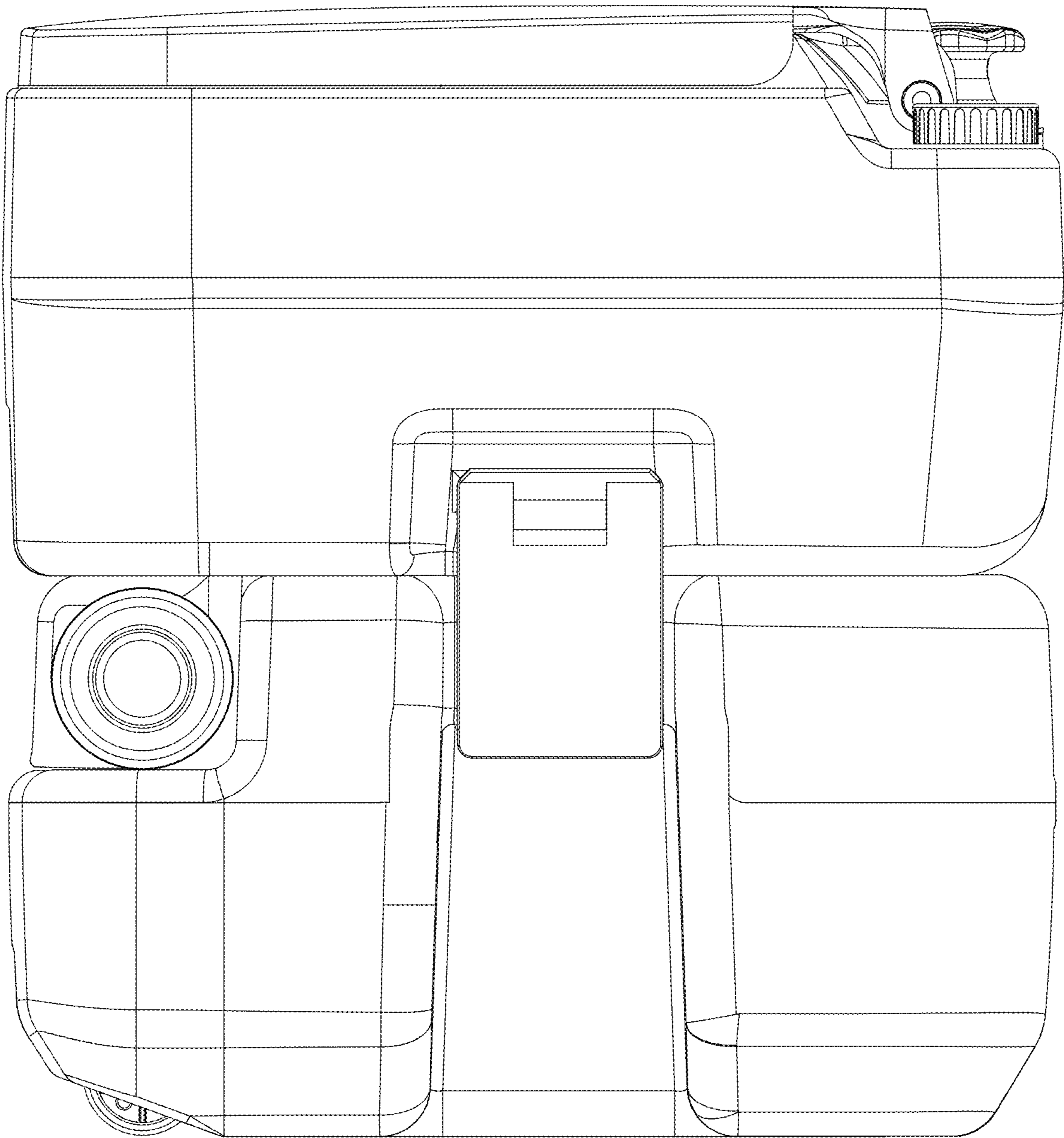


FIG. 6

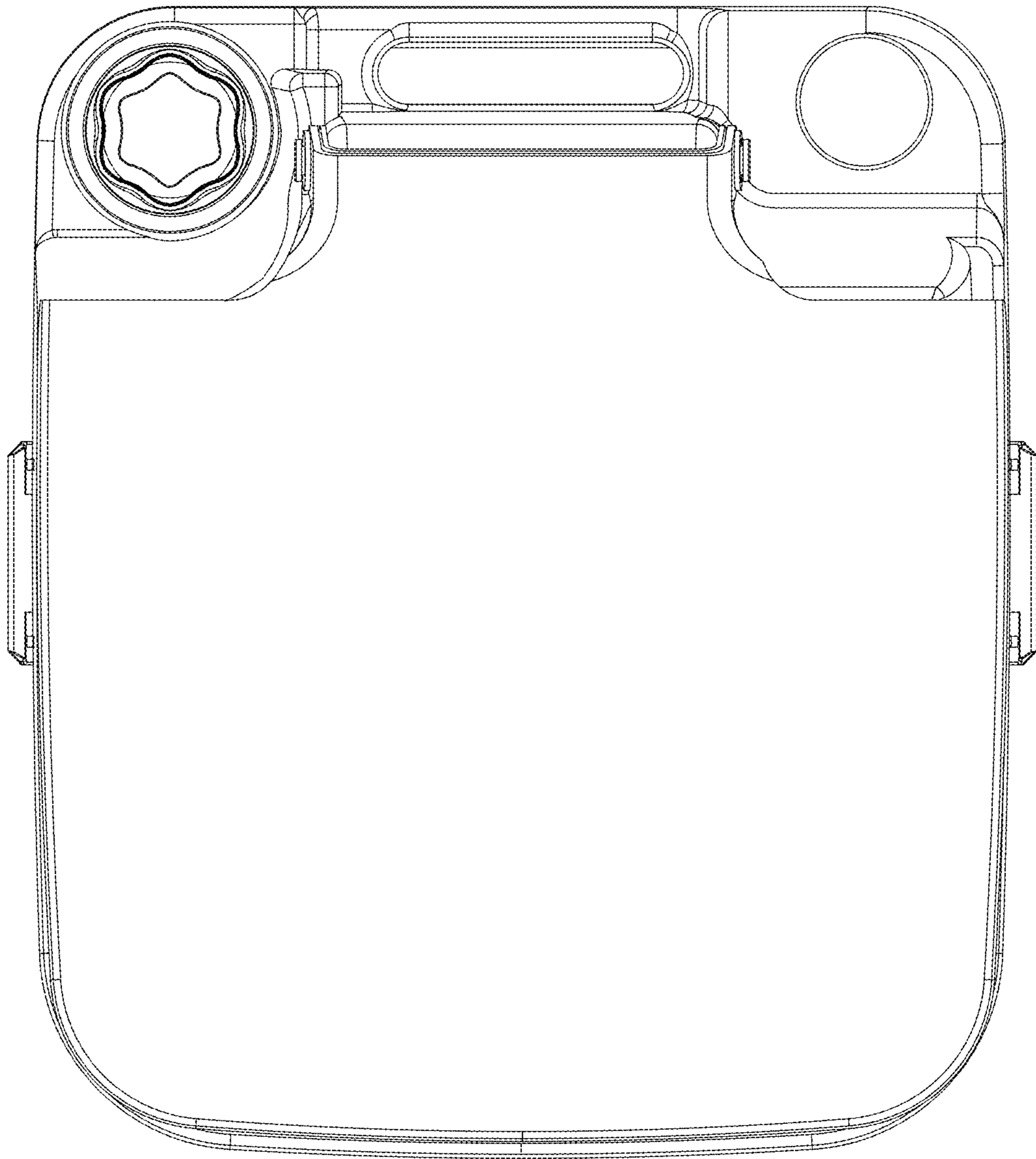


FIG. 7

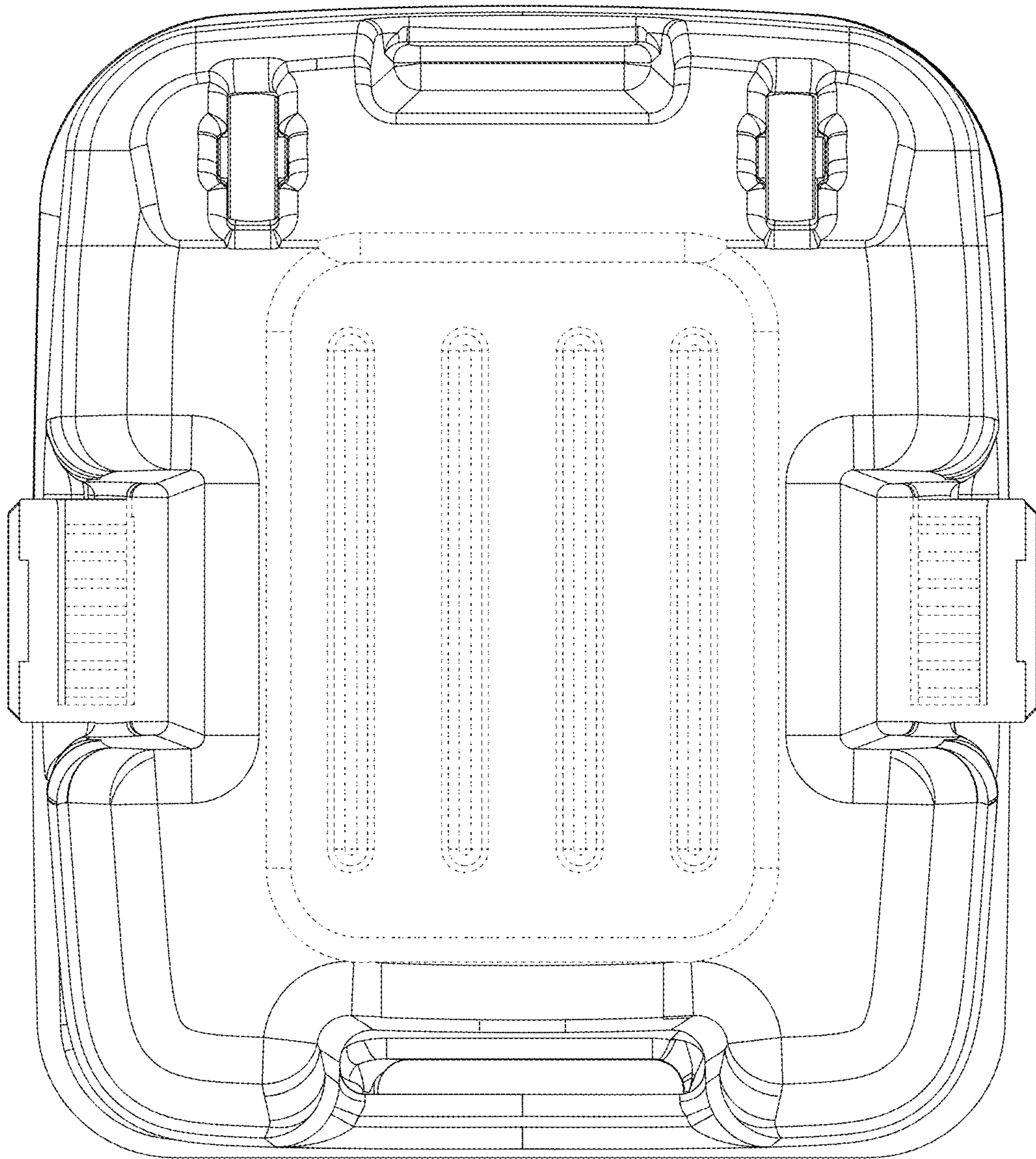


FIG. 8