



US00D999328S

(12) **United States Design Patent** (10) **Patent No.:** **US D999,328 S**  
**Jones et al.** (45) **Date of Patent:** **\*\* Sep. 19, 2023**

(54) **HAND GUARD RAIL**  
(71) Applicant: **Daniel Defense, LLC**, Black Creek, GA (US)  
(72) Inventors: **Larry JR Jones**, Ellabell, GA (US); **Ryan Keith Holloway**, Pooler, GA (US)  
(73) Assignee: **Daniel Defense, LLC**, Black Creek, GA (US)  
(\*\*) Term: **15 Years**  
(21) Appl. No.: **29/752,146**  
(22) Filed: **Sep. 25, 2020**  
(51) **LOC (14) Cl.** ..... **22-01**  
(52) **U.S. Cl.**  
USPC ..... **D22/108**  
(58) **Field of Classification Search**  
USPC ..... D22/100, 101, 103, 108, 109, 111, 199;  
D21/573  
CPC ..... F41A 21/26; F41C 23/00; F41C 23/06;  
F41C 23/20; F41C 23/14  
See application file for complete search history.

(56) **References Cited**  
U.S. PATENT DOCUMENTS  
D241,745 S \* 10/1976 Antonius ..... D22/108  
D507,619 S \* 7/2005 Shiloni ..... F41C 23/16  
D22/108  
D710,964 S \* 8/2014 Chvala ..... D22/108  
D733,246 S \* 6/2015 Wells ..... D22/108  
D744,054 S \* 11/2015 Peterson ..... D22/108  
D746,399 S \* 12/2015 Folkestad, II ..... D22/108  
D751,663 S \* 3/2016 Ding ..... D22/108  
D752,171 S \* 3/2016 Chen ..... D22/108  
9,453,694 B1 \* 9/2016 Storch ..... F41A 3/64  
D783,761 S \* 4/2017 Pavlick ..... D22/108  
D787,003 S \* 5/2017 Spector ..... D22/108  
D795,986 S \* 8/2017 Frederickson ..... D22/108

D828,480 S \* 9/2018 Hiler, Jr. .... D22/108  
D834,113 S \* 11/2018 Chu ..... D21/574  
D844,094 S \* 3/2019 Geissele ..... D22/108  
D851,201 S \* 6/2019 Hiler, Jr. .... D22/108  
D865,111 S \* 10/2019 Storch ..... D22/108  
D882,015 S \* 4/2020 Juarez ..... D22/108  
D888,184 S \* 6/2020 Bietsch ..... D22/108

(Continued)

**OTHER PUBLICATIONS**

“Bolt-Action Rifles” [online]. Daniel Defense. [Retrieved on Jun. 3, 2023]. Retrieved from the Internet: <<https://danieldefense.com/rifles/bolt-action-rifles.html>>.\*

(Continued)

*Primary Examiner* — Mojtaba Tehrani  
(74) *Attorney, Agent, or Firm* — Kim and Lahey Law Firm, LLC

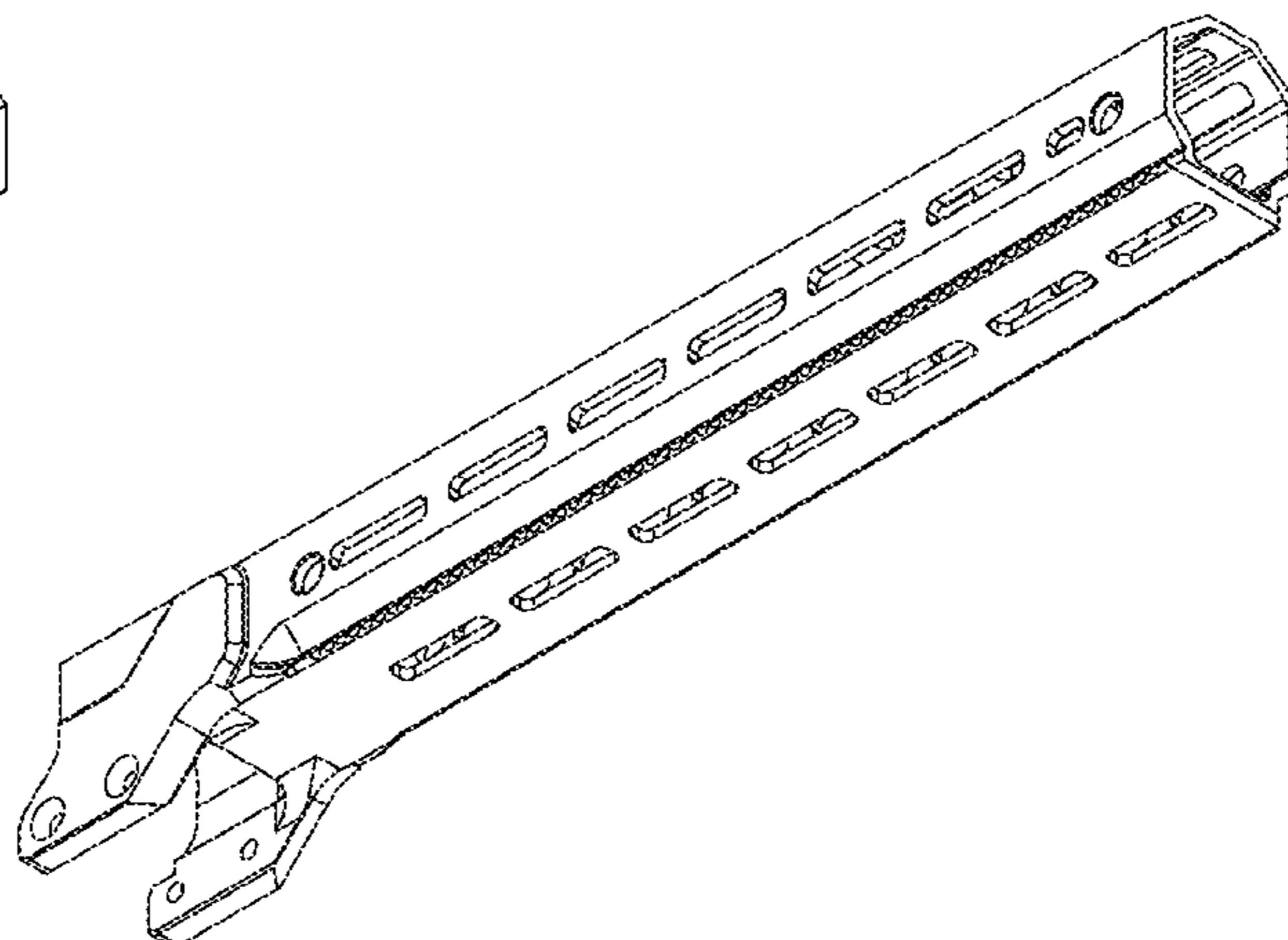
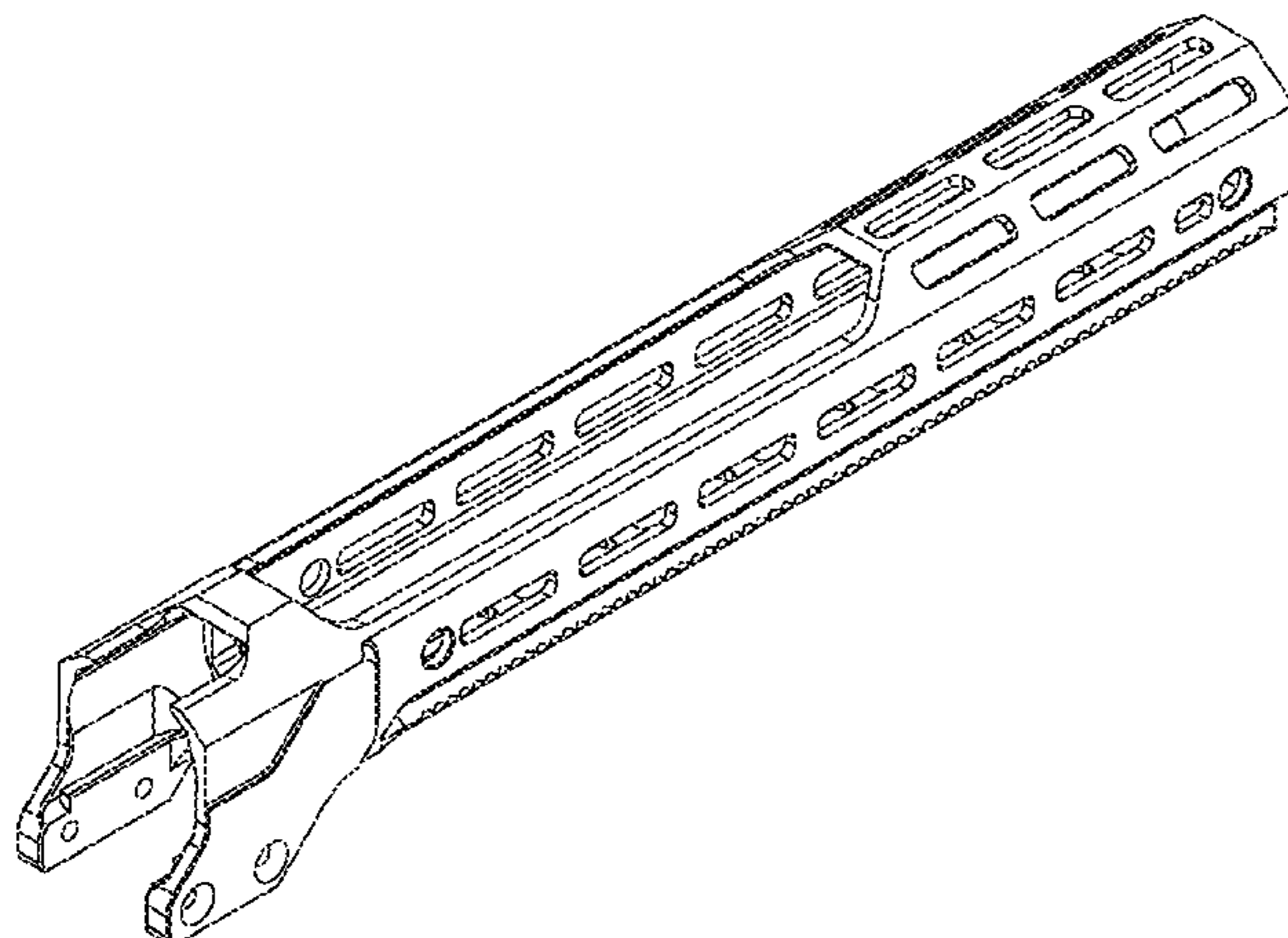
(57) **CLAIM**

The ornamental design for a hand guard rail, as shown and described.

**DESCRIPTION**

FIG. 1 is a left side elevation view of the hand guard rail; FIG. 2 is a right side elevation view thereof; FIG. 3 is a top elevation view thereof; FIG. 4 is a bottom elevation view thereof; FIG. 5 is a rear elevation view thereof; FIG. 6 is a front elevation view thereof; FIG. 7 is a right side/top/rear perspective view thereof; FIG. 8 is a right side/top/front perspective view thereof; FIG. 9 is a right side/bottom/rear perspective view thereof; FIG. 10 is a right side/bottom/front perspective view thereof; FIG. 11 is a left side/bottom/rear perspective view thereof; and, FIG. 12 is a left side/top/front perspective view thereof.

**1 Claim, 9 Drawing Sheets**



(56)

**References Cited**

U.S. PATENT DOCUMENTS

D895,758 S \* 9/2020 Storch ..... D22/108  
D982,703 S \* 4/2023 Passoni ..... D22/108  
2014/0130390 A1\* 5/2014 Geissele ..... F41C 23/16  
42/71.01

OTHER PUBLICATIONS

“Daniel Defense Delta 5 Pro Bolt-Action Repeater Rifle: Full Review” [online]. Jack Oller. [Published on Sep. 26, 2022]. Retrieved from the Internet: <<https://www.gunsandammo.com/editorial/daniel-defense-delta-5-pro-rifle-review/464334>>.\*

“Christensen Arms MPR Tungsten Bolt Action Rifle—338 Lapua Magnum—27in” [online]. Christensen Arms. [Retrieved on Jun. 3, 2023]. Retrieved from the Internet: <<https://www.sportsmans.com/shooting-gear-gun-supplies/rifles/christensen-arms-mpr-tungsten-bolt-action-rifle-338-lapua-magnum-27in/p/1741630>>.\*

\* cited by examiner

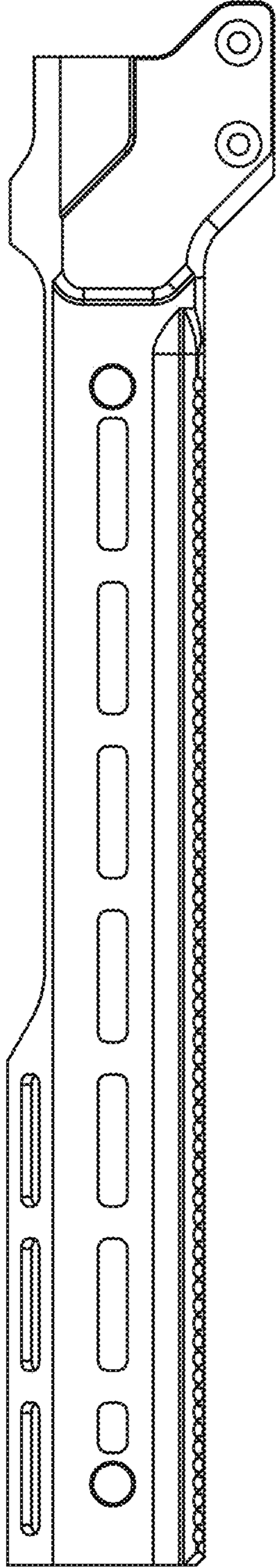


FIG. 1

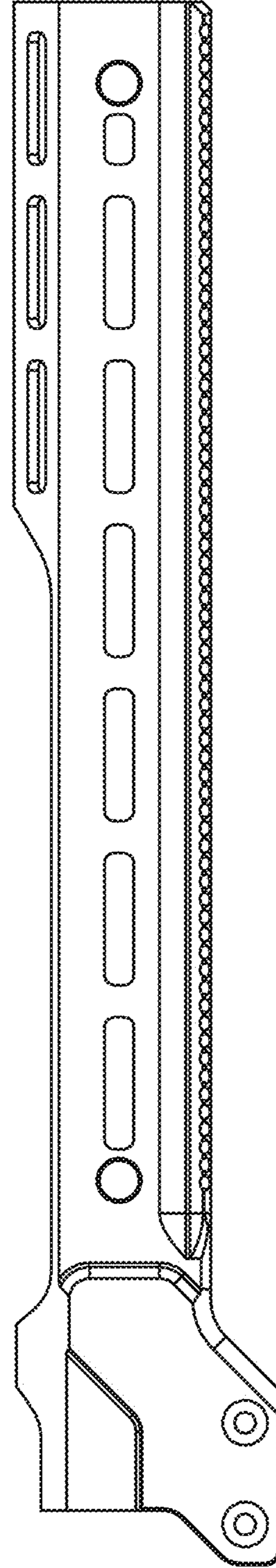


FIG. 2

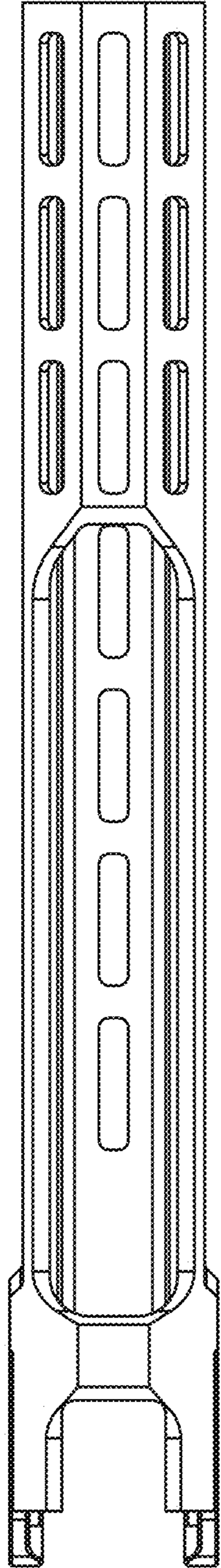


FIG. 3

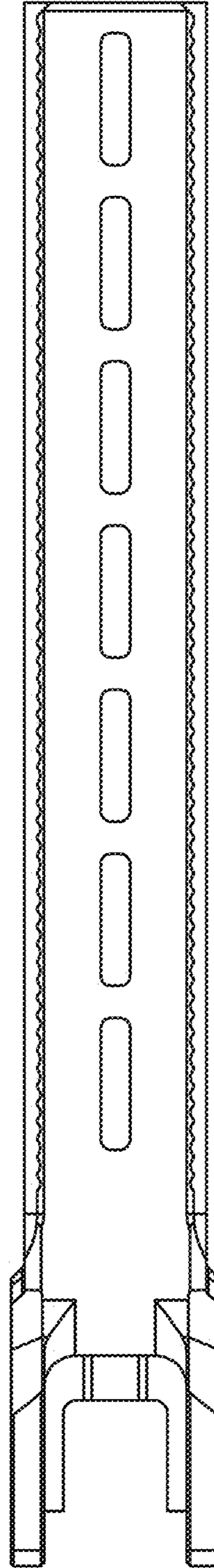


FIG. 4

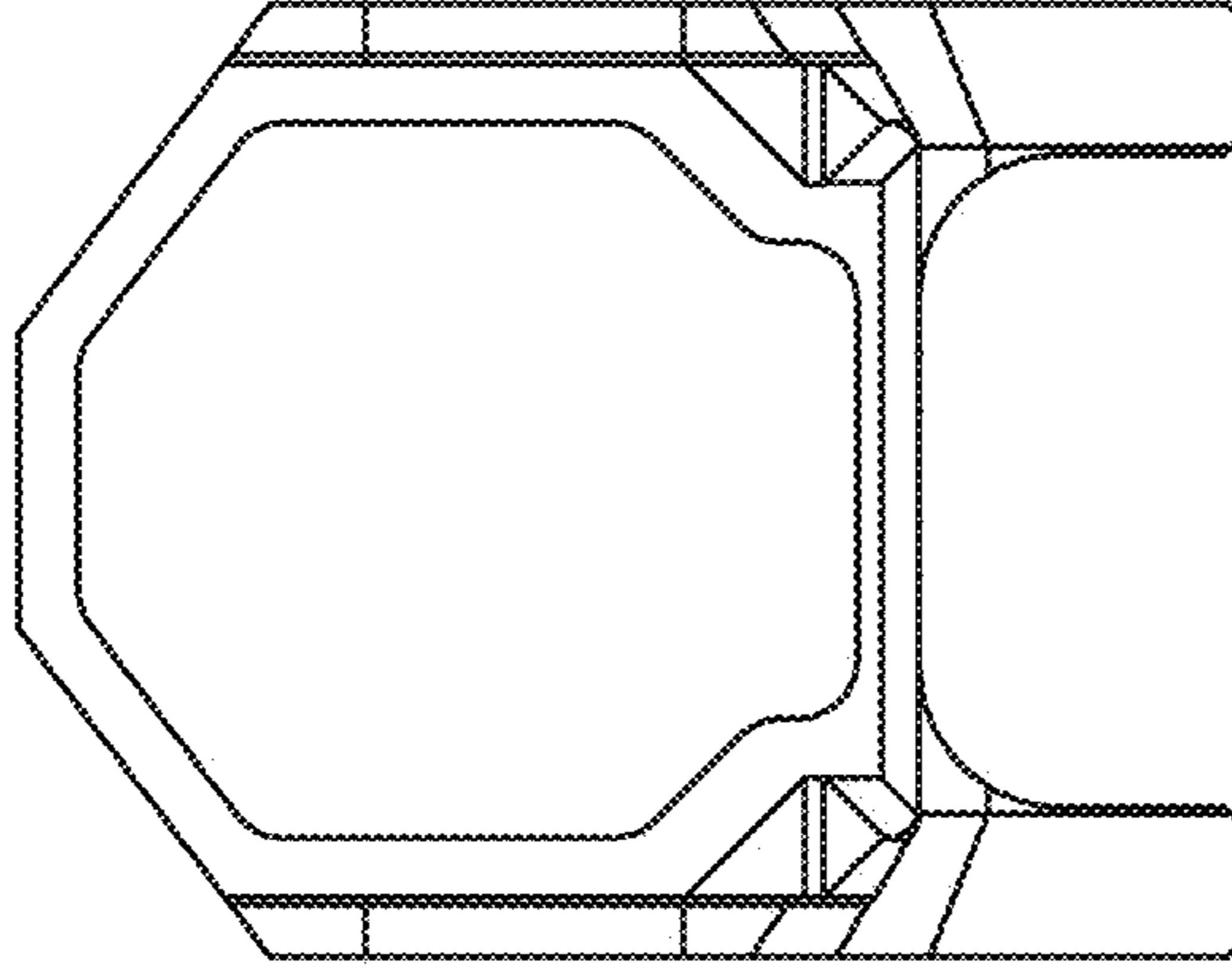


FIG. 6

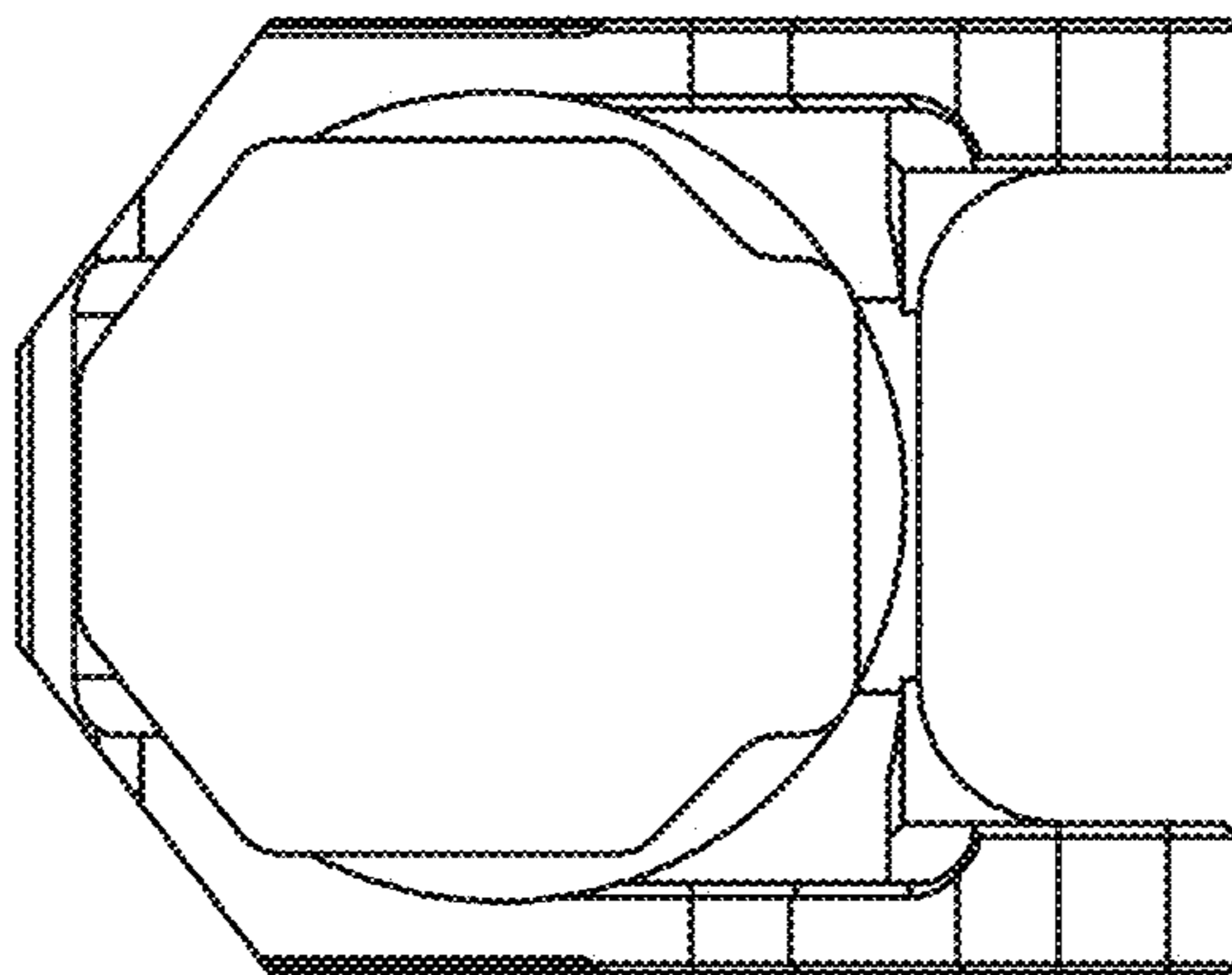


FIG. 5

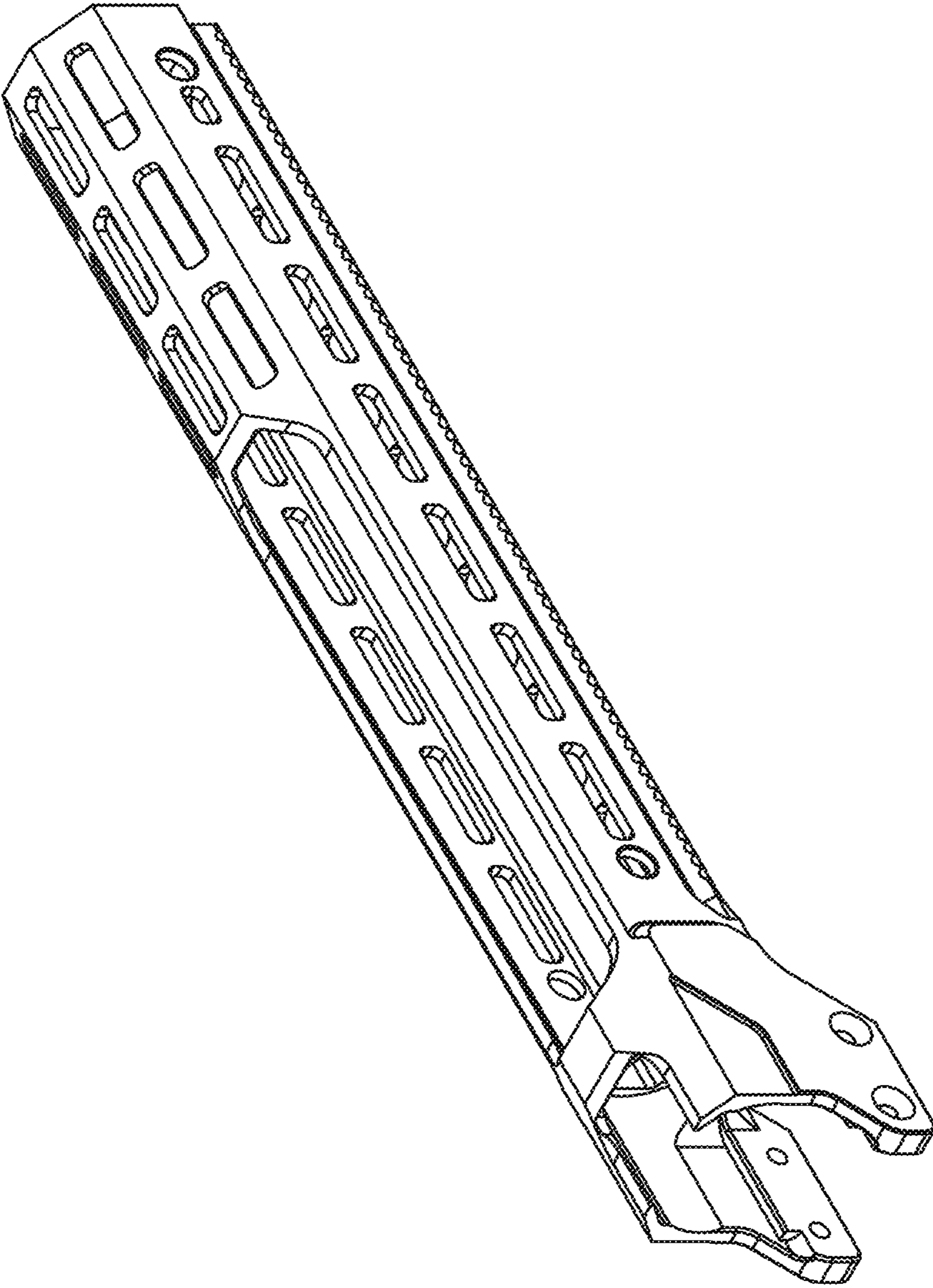


FIG. 7

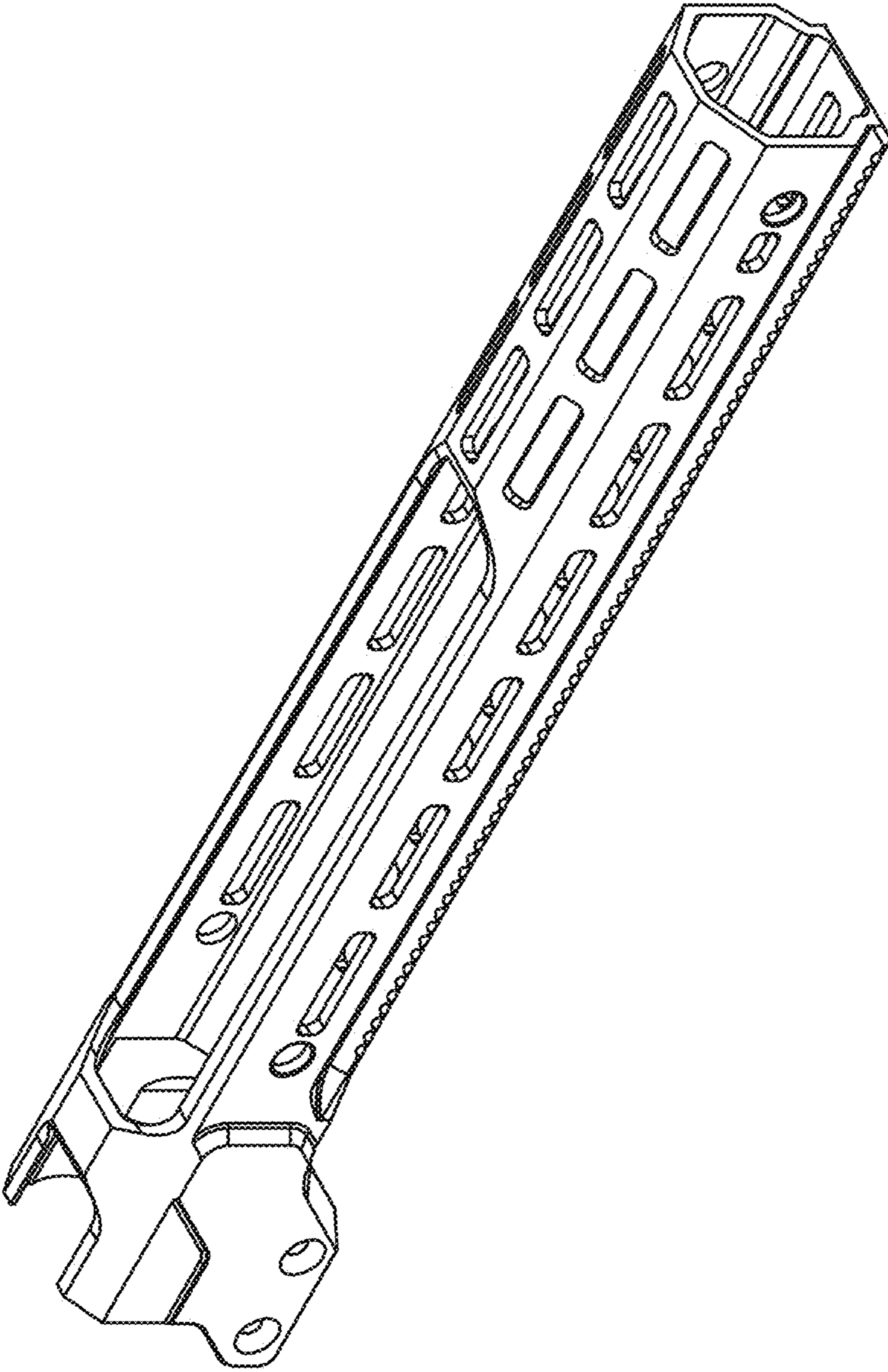


FIG. 8

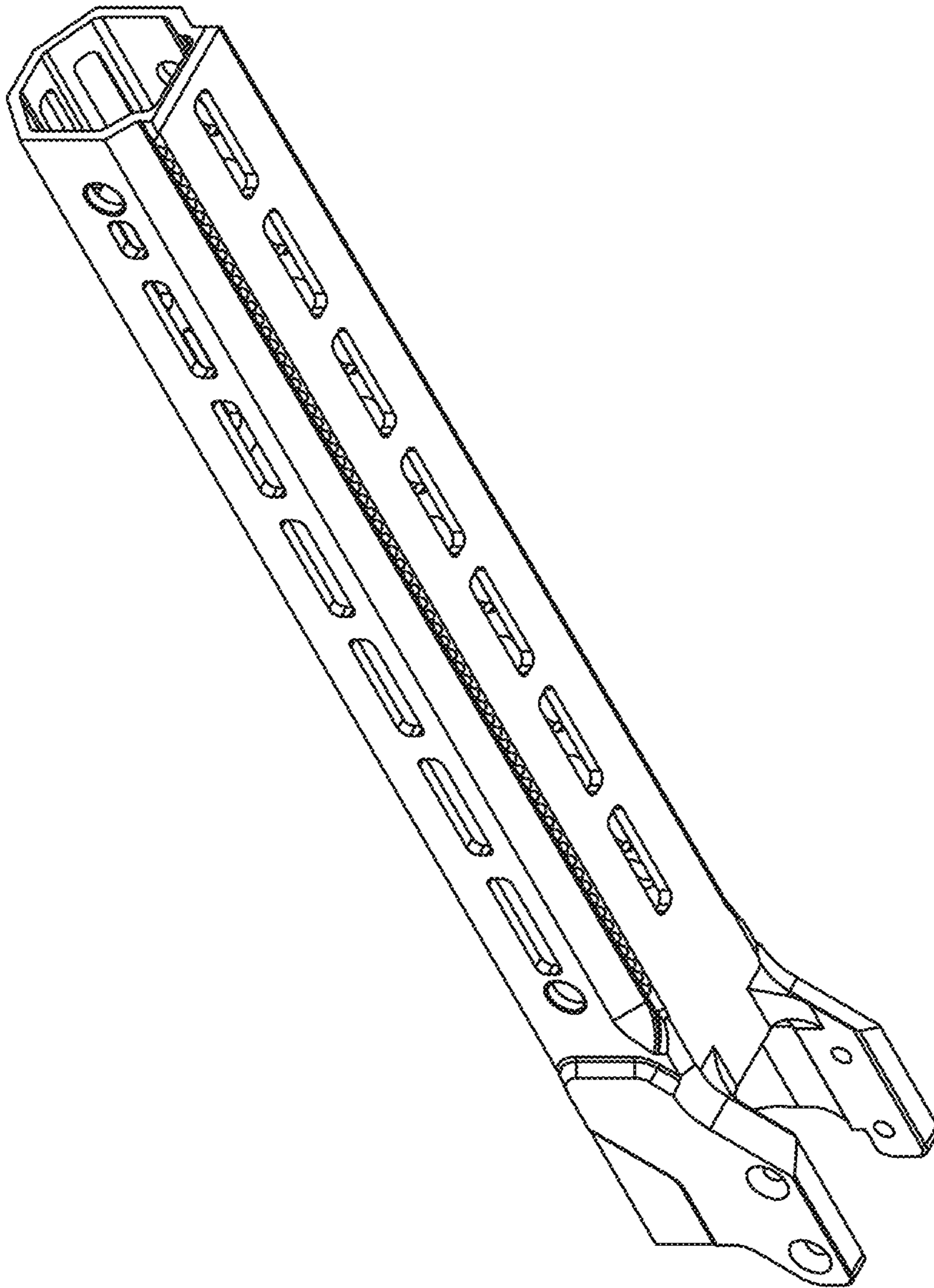


FIG. 9



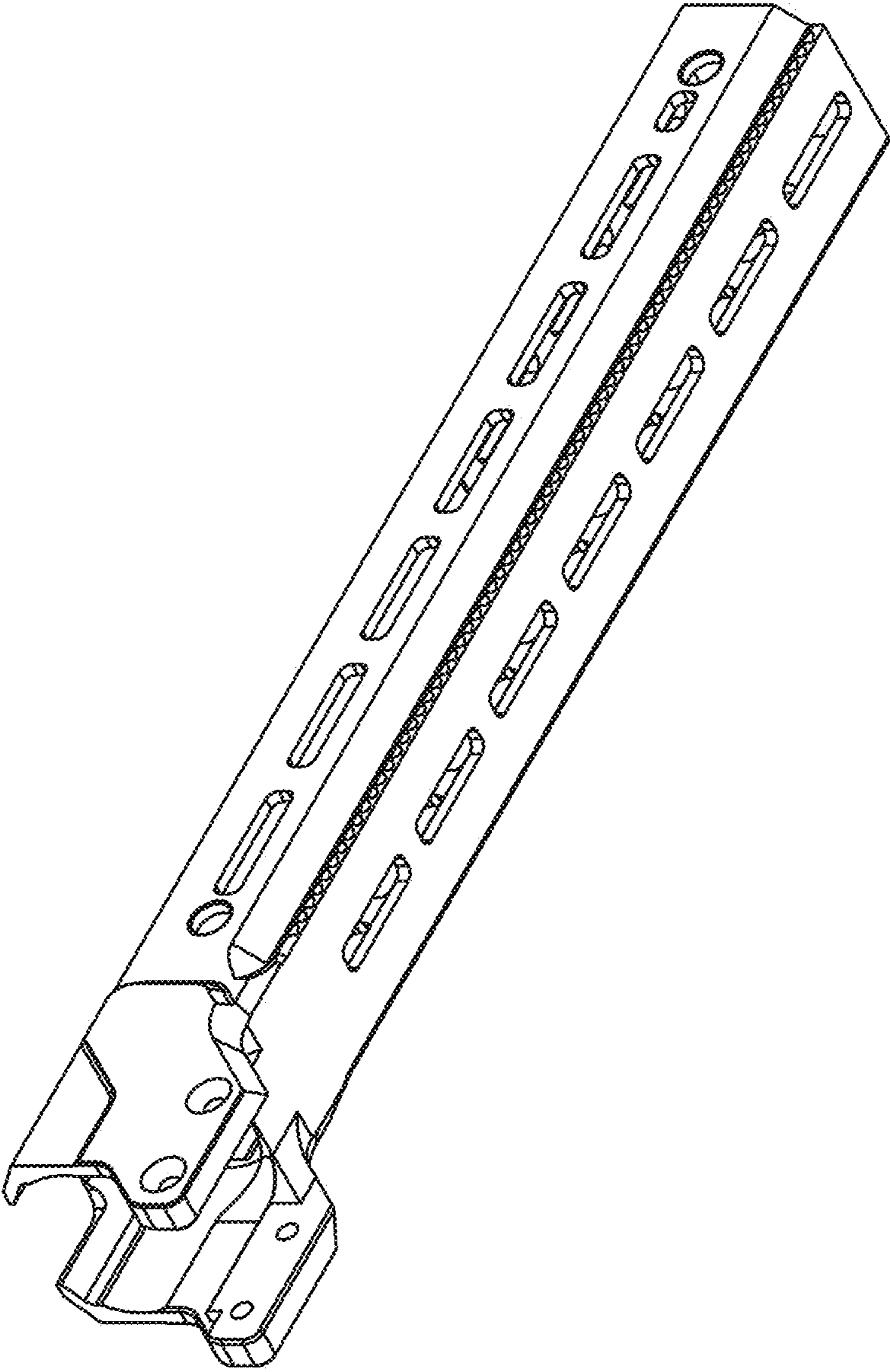


FIG. 10

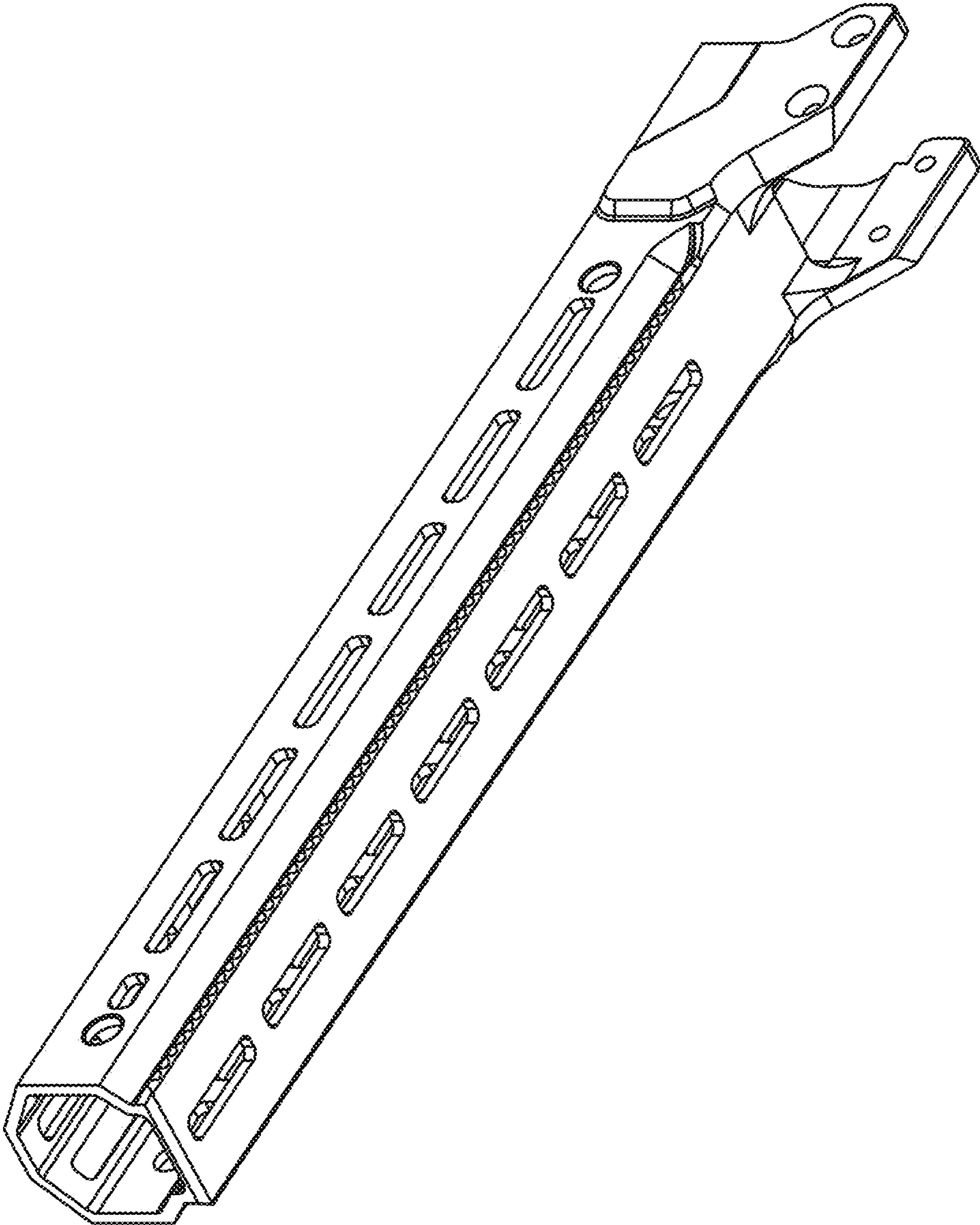


FIG. 11

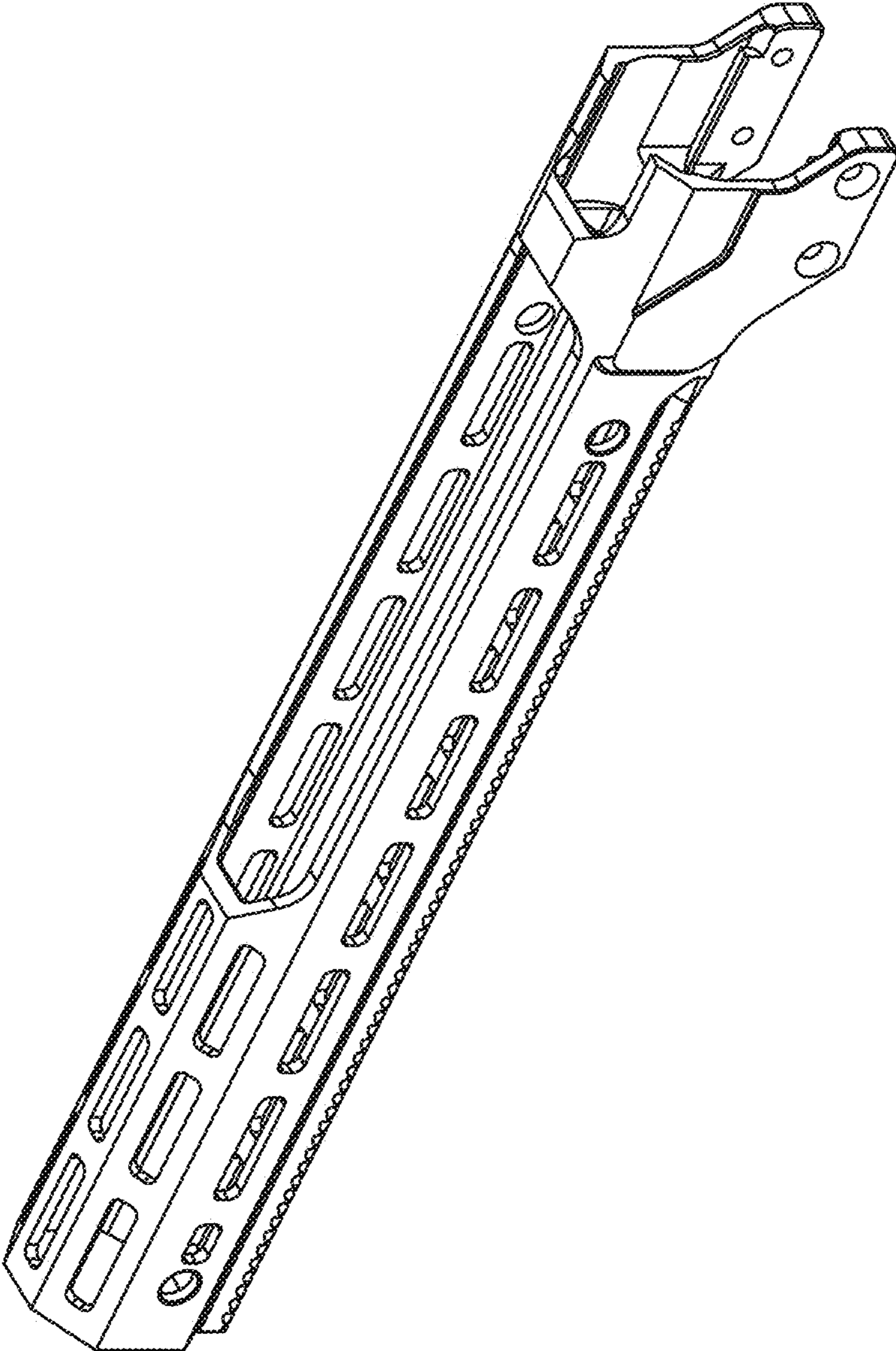


FIG. 12