



US00D999311S

(12) **United States Design Patent** (10) **Patent No.:** **US D999,311 S**
Toulon et al. (45) **Date of Patent:** **** Sep. 19, 2023**

(54) **PUTTER HEAD**
(71) Applicant: **Callaway Golf Company**, Carlsbad, CA (US)
(72) Inventors: **Sean Toulon**, Vista, CA (US); **Luke Williams**, Carlsbad, CA (US); **Patrick Dawson**, Poway, CA (US); **JulieAnn Larson**, Oceanside, CA (US); **Gioacchino Glorioso**, Valley Center, CA (US)
(73) Assignee: **Topgolf Callaway Brands Corp.**, Carlsbad, CA (US)

D552,196 S * 10/2007 Hueber D21/742
D562,921 S * 2/2008 Nguyen D21/742
D583,887 S * 12/2008 Cameron D21/743
D590,462 S * 4/2009 Hettinger D21/743
D620,993 S * 8/2010 Laub D21/746
7,927,226 B1 * 4/2011 Twitty A63B 53/0487
473/254
D643,893 S * 8/2011 Rollinson D21/742
D648,407 S * 11/2011 Teramoto D21/743
D691,225 S * 10/2013 Hilton D21/736
D733,817 S * 7/2015 Jorgensen D21/736
D769,383 S * 10/2016 Abbott D21/743
D796,597 S * 9/2017 Serrano D21/736
D817,424 S * 5/2018 Toulon D21/759
D818,551 S * 5/2018 Toulon D21/759

(Continued)

(**) Term: **15 Years**

OTHER PUBLICATIONS

(21) Appl. No.: **29/797,675**

Golf putters google search; google.com; Jul. 25, 2023.*
Callaway putters google search; google.com; Jul. 25, 2023.*
callaway.com; Jul. 25, 2023.*

(22) Filed: **Jul. 1, 2021**

(51) **LOC (14) Cl.** **21-02**

(52) **U.S. Cl.**
USPC **D21/746**

(58) **Field of Classification Search**
USPC D21/736-746, 759
CPC A63B 53/00; A63B 53/04; A63B 53/007;
A63B 53/065; A63B 53/0487; A63B
60/00; A63B 60/46

See application file for complete search history.

Primary Examiner — Mitchell I. Siegel
(74) *Attorney, Agent, or Firm* — Michael A. Catania;
Rebecca Hanovice; Sonia Lari

(57) **CLAIM**

The ornamental design for a putter head, as shown and described.

DESCRIPTION

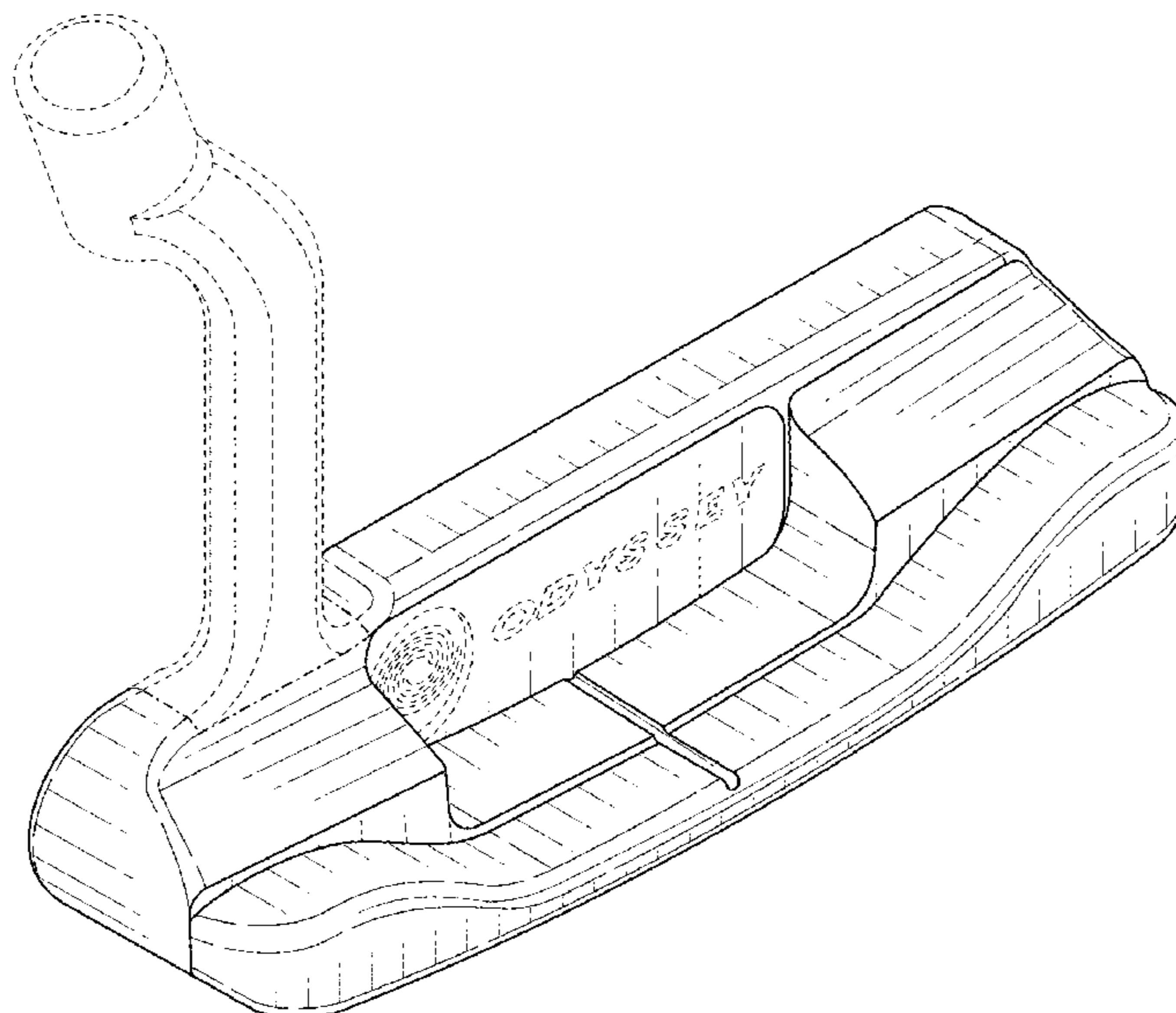
(56) **References Cited**

U.S. PATENT DOCUMENTS

D207,227 S * 3/1967 Solheim D21/739
D389,207 S * 1/1998 Cameron D21/742
D426,599 S * 6/2000 Morgan D21/736
D426,600 S * 6/2000 Valentine D21/736
D443,906 S * 6/2001 Hettinger D21/743
D449,085 S * 10/2001 Breier D21/744
D485,320 S * 1/2004 Breier D21/736
D521,580 S * 5/2006 Burrows D21/736
D548,294 S * 8/2007 Nguyen D21/736

FIG. 1 is a rear perspective view of the putter head claimed herein;
FIG. 2 is a rear elevational view thereof;
FIG. 3 is a front elevational view thereof;
FIG. 4 is a right side elevational view thereof;
FIG. 5 is a left side elevational view thereof;
FIG. 6 is a top plan view thereof; and,
FIG. 7 is a bottom plan view thereof.
The broken lines shown form no part of the claimed design.

1 Claim, 4 Drawing Sheets



(56)

References Cited

U.S. PATENT DOCUMENTS

D832,379	S	*	10/2018	Jertson	D21/736
D857,135	S	*	8/2019	Serrano	D21/736
D869,582	S	*	12/2019	Rollinson	D21/743
D869,583	S	*	12/2019	Rollinson	D21/743
D874,590	S	*	2/2020	Lee	D21/743
D898,845	S	*	10/2020	Clarke	D21/743
D912,746	S	*	3/2021	Toulon	D21/743
D965,090	S	*	9/2022	Clarke	D21/743
D965,714	S	*	10/2022	Serrano	D21/743
D975,221	S	*	1/2023	Wang	D21/743
D980,931	S	*	3/2023	Toulon	D21/743
D982,111	S	*	3/2023	Toulon	D21/759
D985,700	S	*	5/2023	Toulon	D21/743
2017/0266517	A1	*	9/2017	Bischmann	A63B 53/065
2020/0101357	A1	*	4/2020	Higdon	A63B 53/065

* cited by examiner

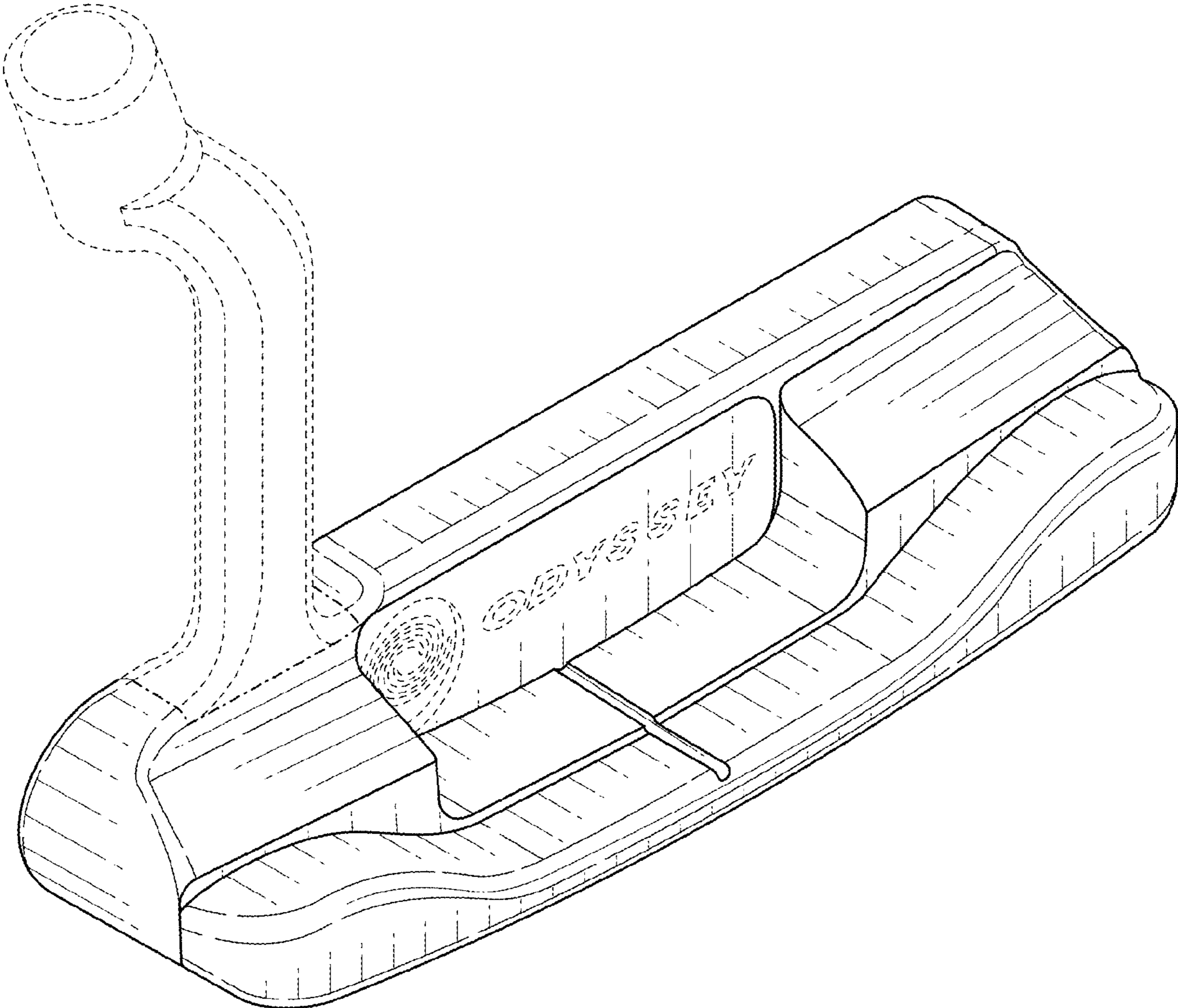


FIG. 1

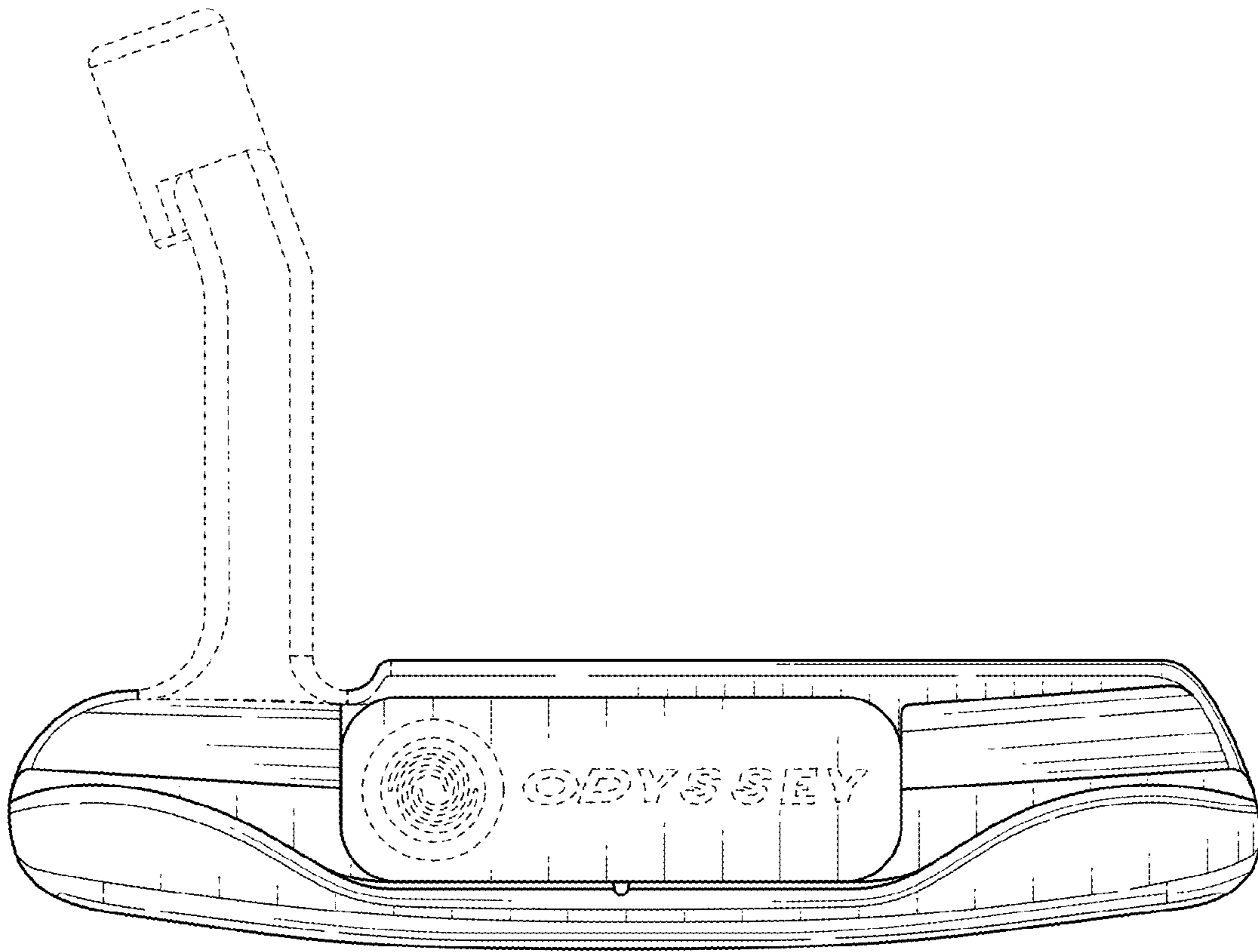


FIG. 2

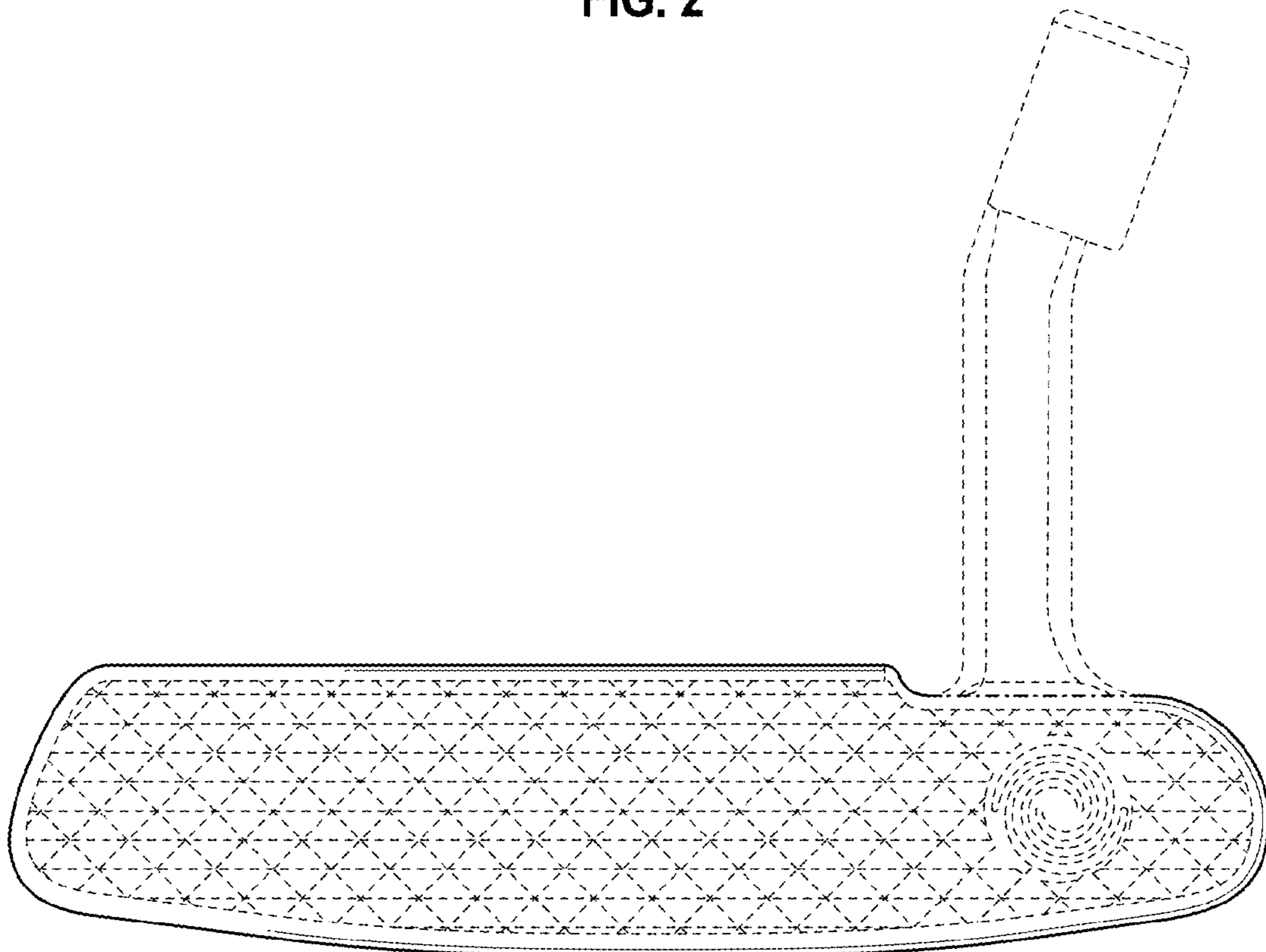


FIG. 3

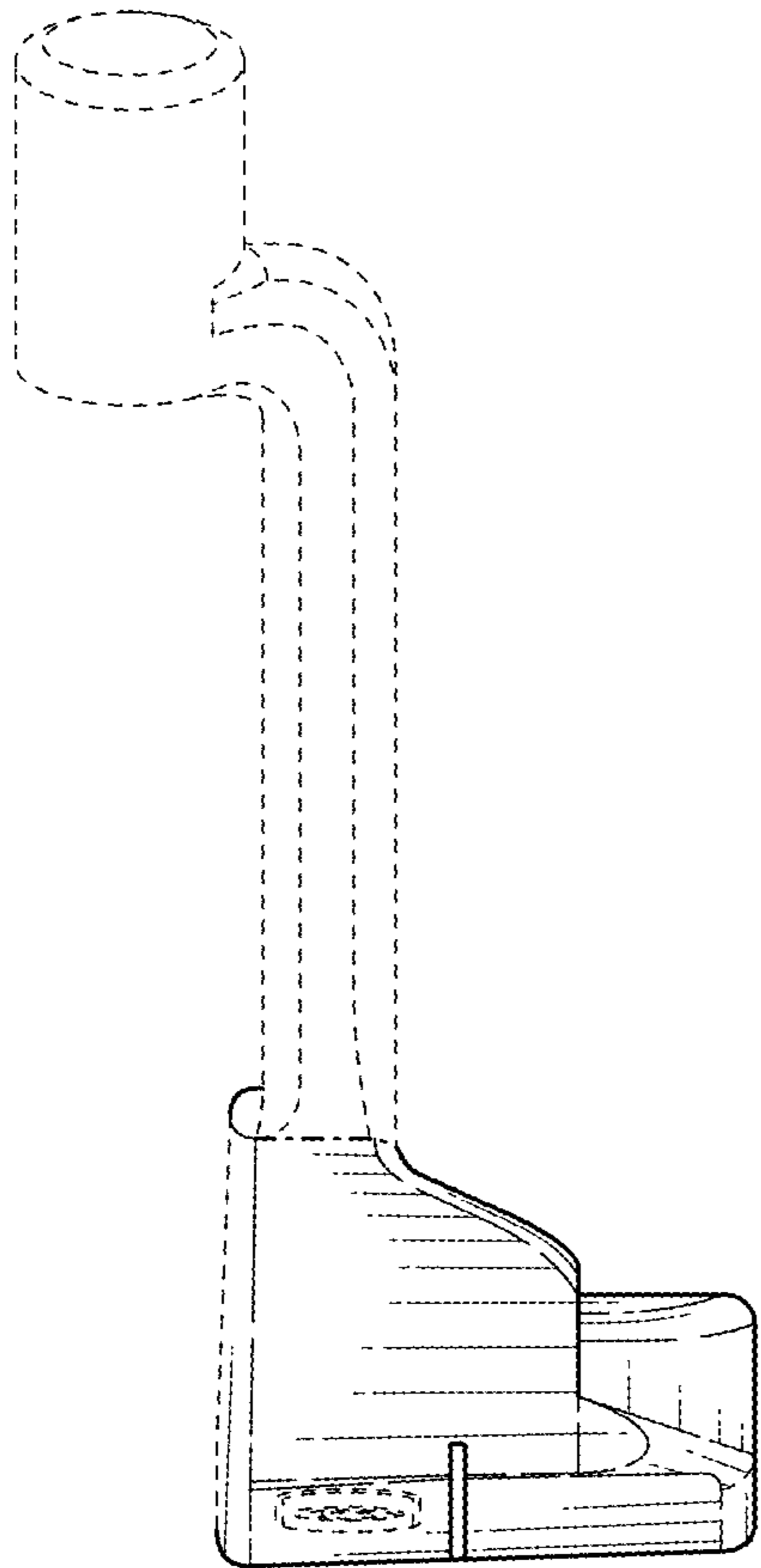


FIG. 4

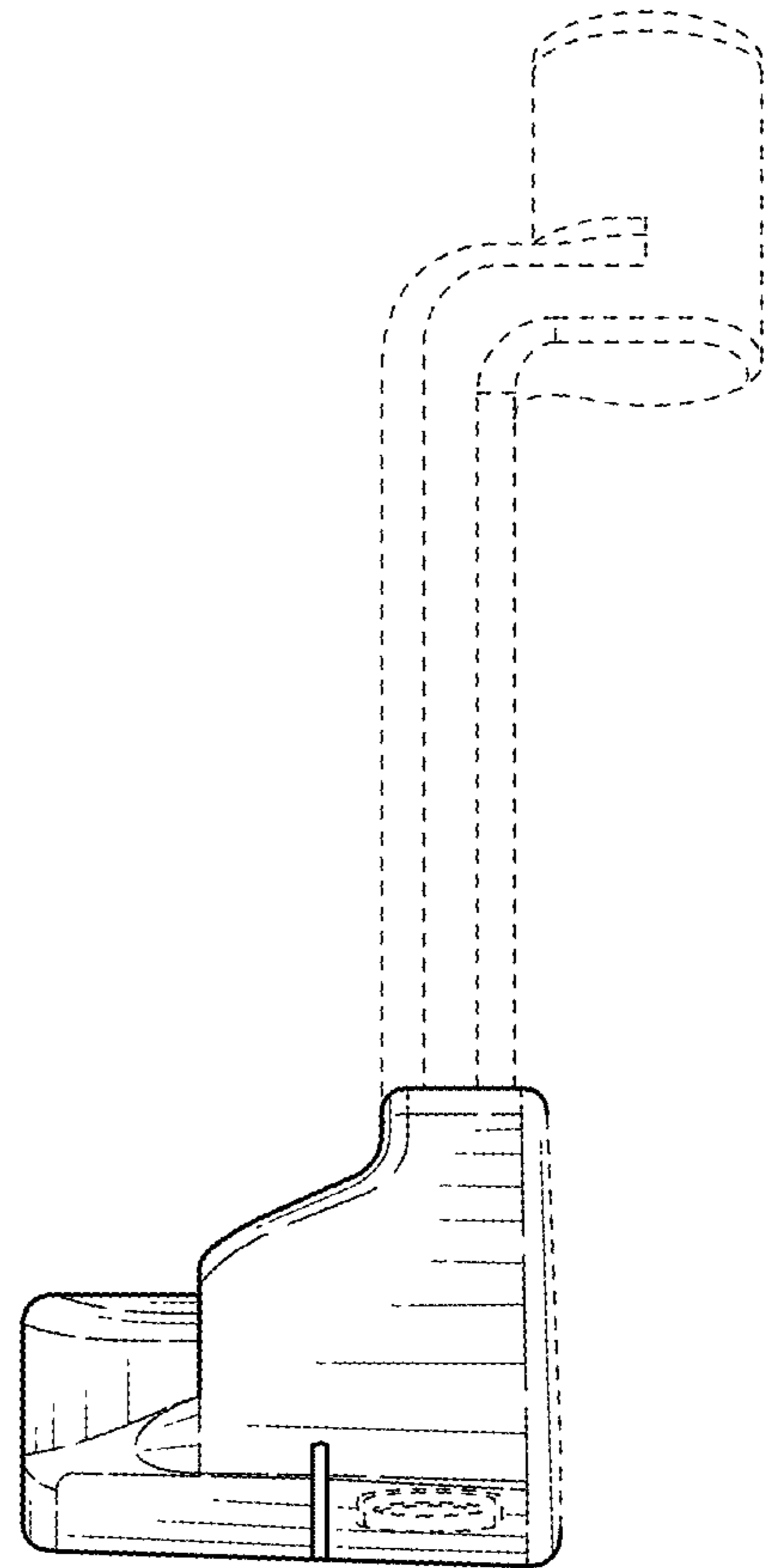


FIG. 5

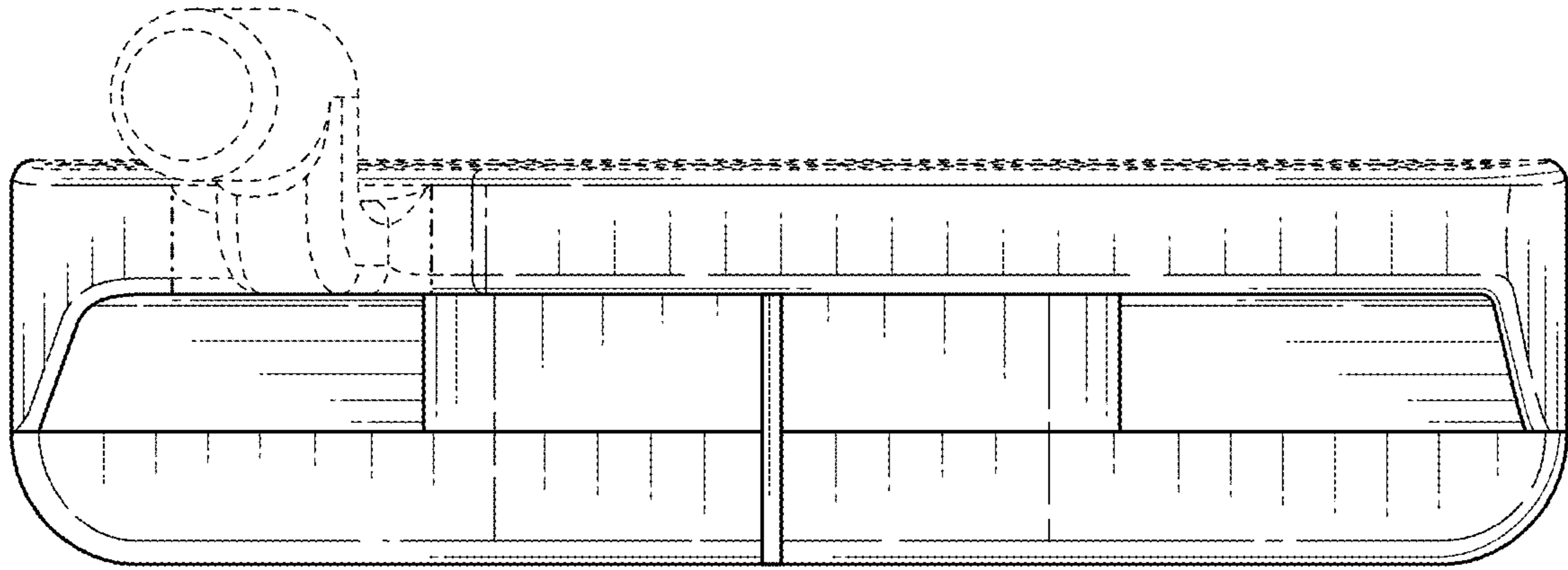


FIG. 6

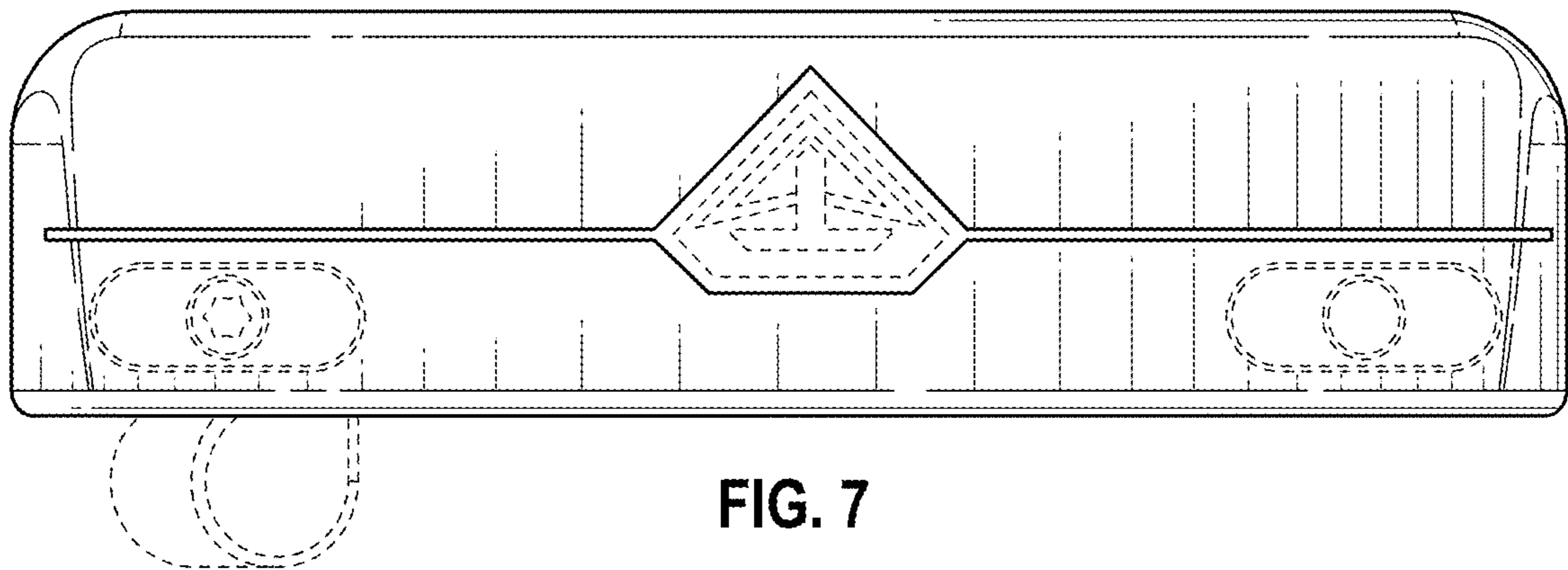


FIG. 7