



US00D999302S

(12) **United States Design Patent**  
**Barajas et al.**

(10) **Patent No.:** **US D999,302 S**

(45) **Date of Patent:** **\*\* Sep. 19, 2023**

(54) **MODEL VEHICLE ASSEMBLY**

**FOREIGN PATENT DOCUMENTS**

(71) Applicant: **TRAXXAS LP**, McKinney, TX (US)

CN 305421356 \* 11/2019  
CN 305949413 \* 7/2020

(72) Inventors: **Jaime Felix Barajas**, Dallas, TX (US);  
**Adam Cole Ewing**, McKinney, TX (US);  
**Kent Poteet**, Lucas, TX (US); **Otto Karl Allmendinger**, Rowlett, TX (US)

(Continued)

(73) Assignee: **TRAXXAS, L.P.**, McKinney, TX (US)

(\*\*) Term: **15 Years**

(21) Appl. No.: **29/730,193**

(22) Filed: **Apr. 2, 2020**

(51) **LOC (14) Cl.** ..... **21-01**

(52) **U.S. Cl.**  
USPC ..... **D21/552**

(58) **Field of Classification Search**  
USPC ..... D21/539, 552, 548, 549, 550, 556, 562;  
D12/3, 12; D21/553, 554  
CPC ..... A63H 17/12; A63H 17/045; A63H 17/00;  
A63H 17/004; A63H 17/05; A63H 17/262  
See application file for complete search history.

**OTHER PUBLICATIONS**

Bezar1:16RCCar, available on Amazon, customer review oldest date Jun. 21, 2020, URL: <https://www.amazon.com/BEZGAR-Hobbyist-Waterproof-Rechargeable-Batteries/dp/B09FNX8TC5/> (Year: 2020).\*

Deerc 9200E RC Car, available on amazon, customer review oldest date Feb. 26, 2020, URL: <https://www.amazon.com/dp/B082PJ2VCV> (Year: 2020).\*

(Continued)

*Primary Examiner* — Cary M Robinson  
*Assistant Examiner* — Emily Anna Saunders  
(74) *Attorney, Agent, or Firm* — Daryl R. Wright; Greg Carr

(56) **References Cited**

**U.S. PATENT DOCUMENTS**

3,653,147 A \* 4/1972 Zbikowski et al. .... A63H 17/12  
446/425  
D277,494 S \* 2/1985 Lerch ..... D21/559  
D281,000 S \* 10/1985 Kuna et al. .... D21/559  
4,617,002 A \* 10/1986 Ishimoto et al. .... A63H 17/12  
446/427  
4,696,655 A \* 9/1987 D'Andrade et al. .. A63H 17/262  
446/466  
5,267,888 A \* 12/1993 Hippely et al. .... A63H 17/262  
301/32  
D397,737 S \* 9/1998 Harrod ..... D21/434  
5,997,016 A \* 12/1999 Kaechele ..... B62K 9/00  
280/828

(Continued)

(57) **CLAIM**

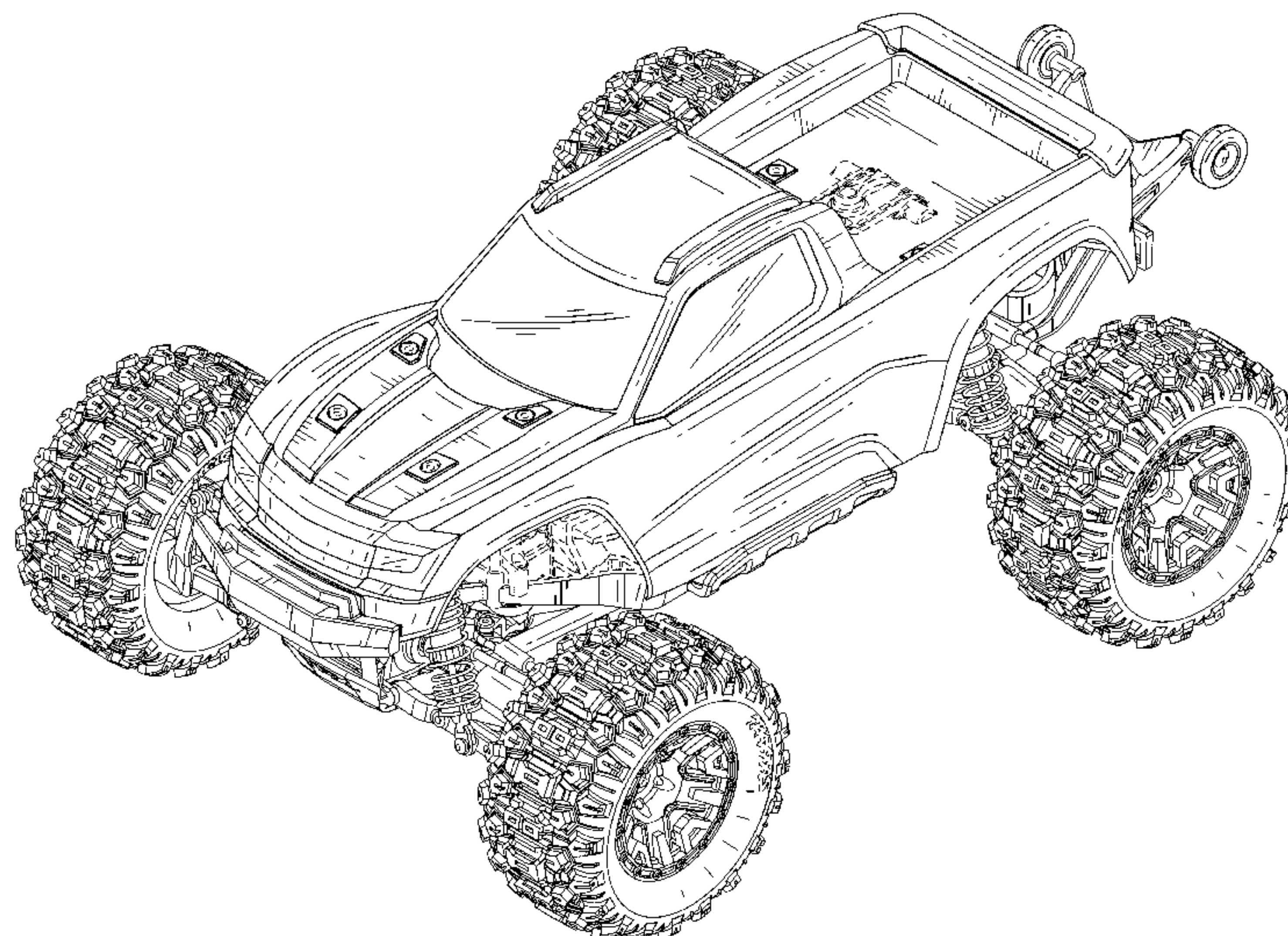
We claim the ornamental design for a model vehicle assembly as shown and described.

**DESCRIPTION**

FIG. 1 is an upper, left, front perspective view of a Model Vehicle Assembly showing our new design; FIG. 2 is a front elevation view thereof; FIG. 3 is a rear elevation view thereof; FIG. 4 is a left side elevation view thereof; FIG. 5 is a right side elevation view thereof; FIG. 6 is an upper plan view thereof; FIG. 7 is a lower plan view thereof; and FIG. 8 is a lower, right, rear perspective view of the model vehicle assembly.

In the drawings, the broken lines depict portions of the model vehicle assembly that form no part of the claimed design.

**1 Claim, 8 Drawing Sheets**



(56)

References Cited

FOREIGN PATENT DOCUMENTS

U.S. PATENT DOCUMENTS

D443,318 S \* 6/2001 Tse ..... D21/559  
 D454,602 S \* 3/2002 Tse ..... D21/552  
 D466,451 S \* 12/2002 Trostle et al. .... D12/98  
 D496,409 S \* 9/2004 Tilbor ..... D21/559  
 D550,311 S \* 9/2007 Chen ..... D21/548  
 D566,789 S \* 4/2008 Idiot ..... D21/552  
 D802,685 S \* 11/2017 Barajas et al. .... D21/562  
 D832,368 S \* 10/2018 Barajas et al. .... D21/561  
 D879,212 S \* 3/2020 Barajas et al. .... D21/562  
 D904,531 S \* 12/2020 Barajas et al. .... D21/552  
 D930,087 S \* 9/2021 Barajas et al. .... D21/562  
 D930,760 S \* 9/2021 Ewing et al. .... D21/562  
 D935,531 S \* 11/2021 Barajas ..... D21/548  
 D935,532 S \* 11/2021 Ewing ..... D21/562  
 D936,757 S \* 11/2021 Cai ..... D21/550  
 D946,470 S \* 3/2022 Harbour ..... D21/562  
 D947,955 S \* 4/2022 Barajas et al. .... D21/562  
 D952,054 S \* 5/2022 Xu ..... D21/552  
 11,364,447 B2\* 6/2022 Allmendinger et al. ....  
 A63H 17/264  
 D972,656 S \* 12/2022 Chen ..... D21/552  
 2007/0259603 A1\* 11/2007 Hippely ..... A63H 29/04  
 446/470  
 2010/0112897 A1\* 5/2010 Ribbe ..... A63H 30/04  
 446/454  
 2014/0051327 A1\* 2/2014 O'Connor et al. ... A63H 17/004  
 446/448  
 2016/0038846 A1\* 2/2016 Colquhoun et al. . A63H 17/262  
 446/465  
 2017/0080350 A1\* 3/2017 Allmendinger et al. A63H 31/08  
 2021/0283518 A1\* 9/2021 Wang ..... A63H 18/02

CN 306488247 \* 4/2021  
 CN 306523127 \* 5/2021  
 CN 306581119 \* 6/2021  
 CN 306655386 \* 7/2021  
 CN 306753671 \* 8/2021  
 CN 306833027 \* 9/2021

OTHER PUBLICATIONS

Deerc RC Car 9300, available on Amazon, customer review oldest date Oct. 10, 2019, URL: <https://www.amazon.com/dp/B07XP8DJSY/> (Year: 2019).\*

GooIRC Wltoys A979B RC Car, available on ubuy.com.tw, customer oldest review Mar. 2, 2020, URL: <https://www.u-buy.com.tw/en/product/1UYXJX6> (Year: 2020).\*

Haiboxing RC Car, available on Amazon, customer review oldest date Nov. 5, 2018, URL: <https://www.amazon.com/dp/B07H7J5K3F/> (Year: 2018).\*

Lukat, RC Car, available on Amazon, customer review oldest date May 24, 2020, URL: <https://www.amazon.com/LUKAT-Remote-Control-Car-Waterproof/dp/B088WNRGT1> (Year: 2020).\*

SoyeeRC Car, available on Amazon, customer review oldest date Aug. 30, 2020, URL: <https://www.amazon.com/Soyee-RC-Cars-Waterproof-Batteries/dp/B07PQK3HQT/> (Year: 2020).\*

Traxxas 1/10 MAXX.4S, available on rpphobby.com, URL: [https://www.rpphobby.com/product\\_p/tra89076-4.htm](https://www.rpphobby.com/product_p/tra89076-4.htm) (Year: 2021).\*

\* cited by examiner



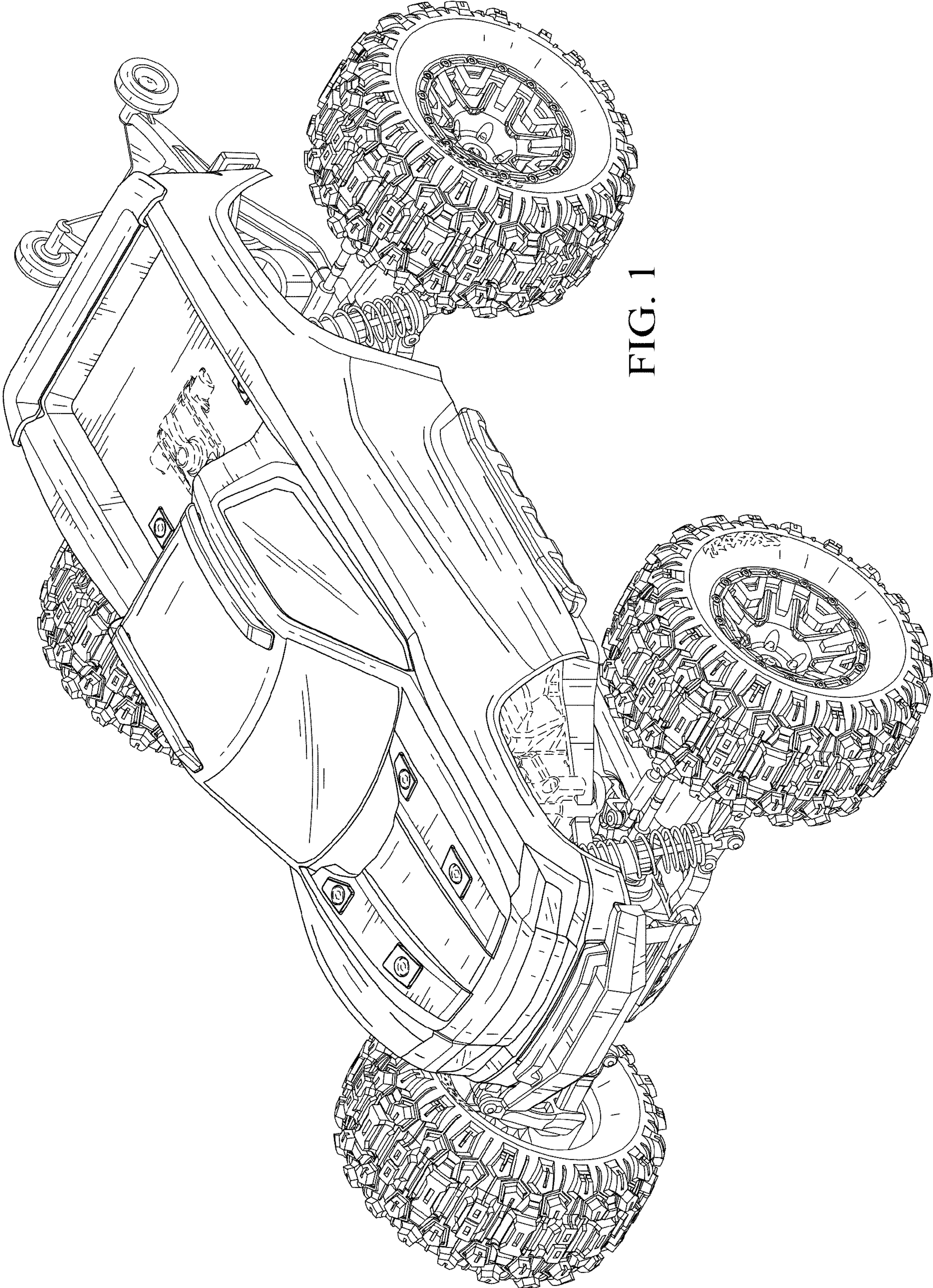


FIG. 1



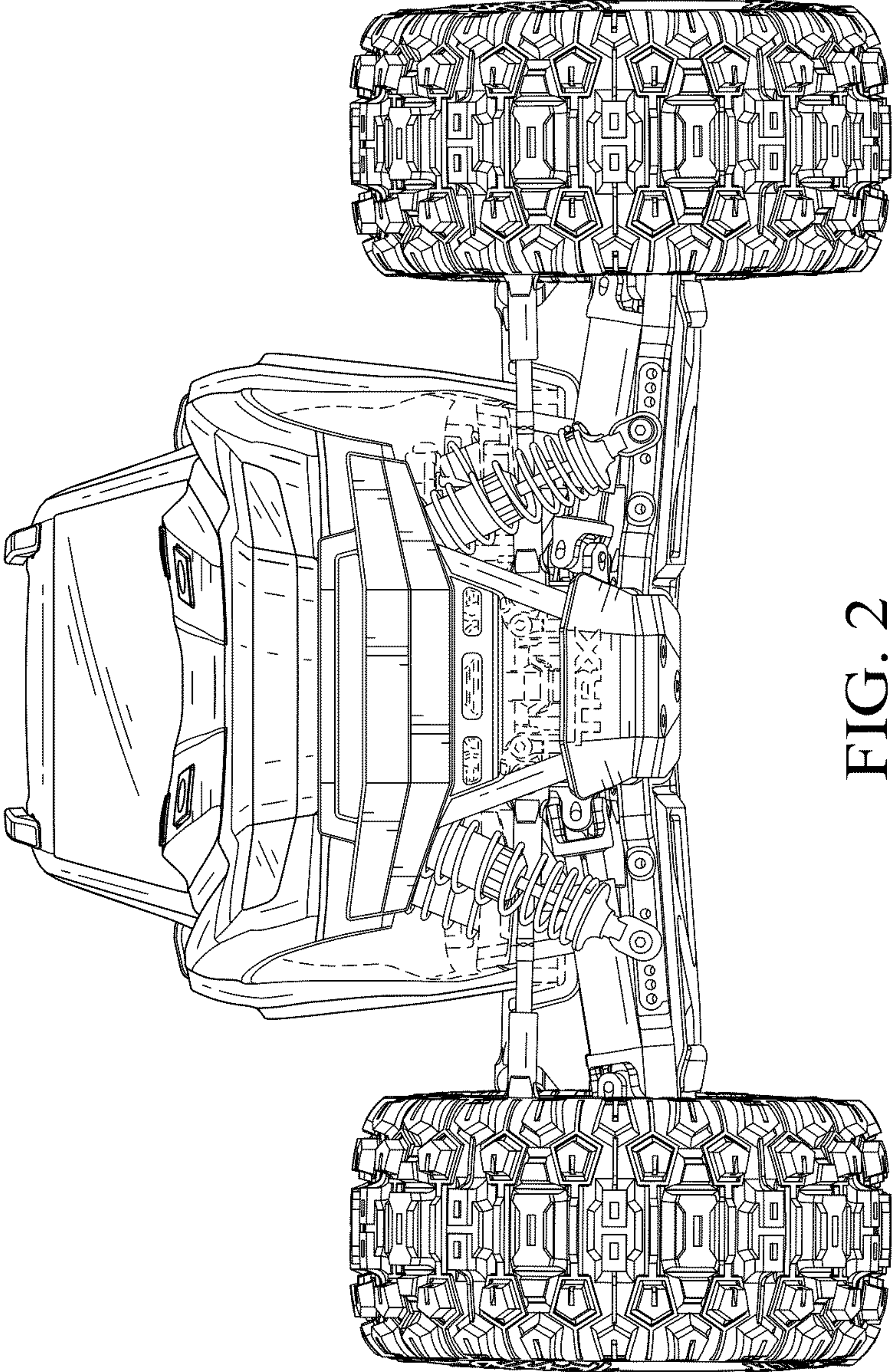


FIG. 2

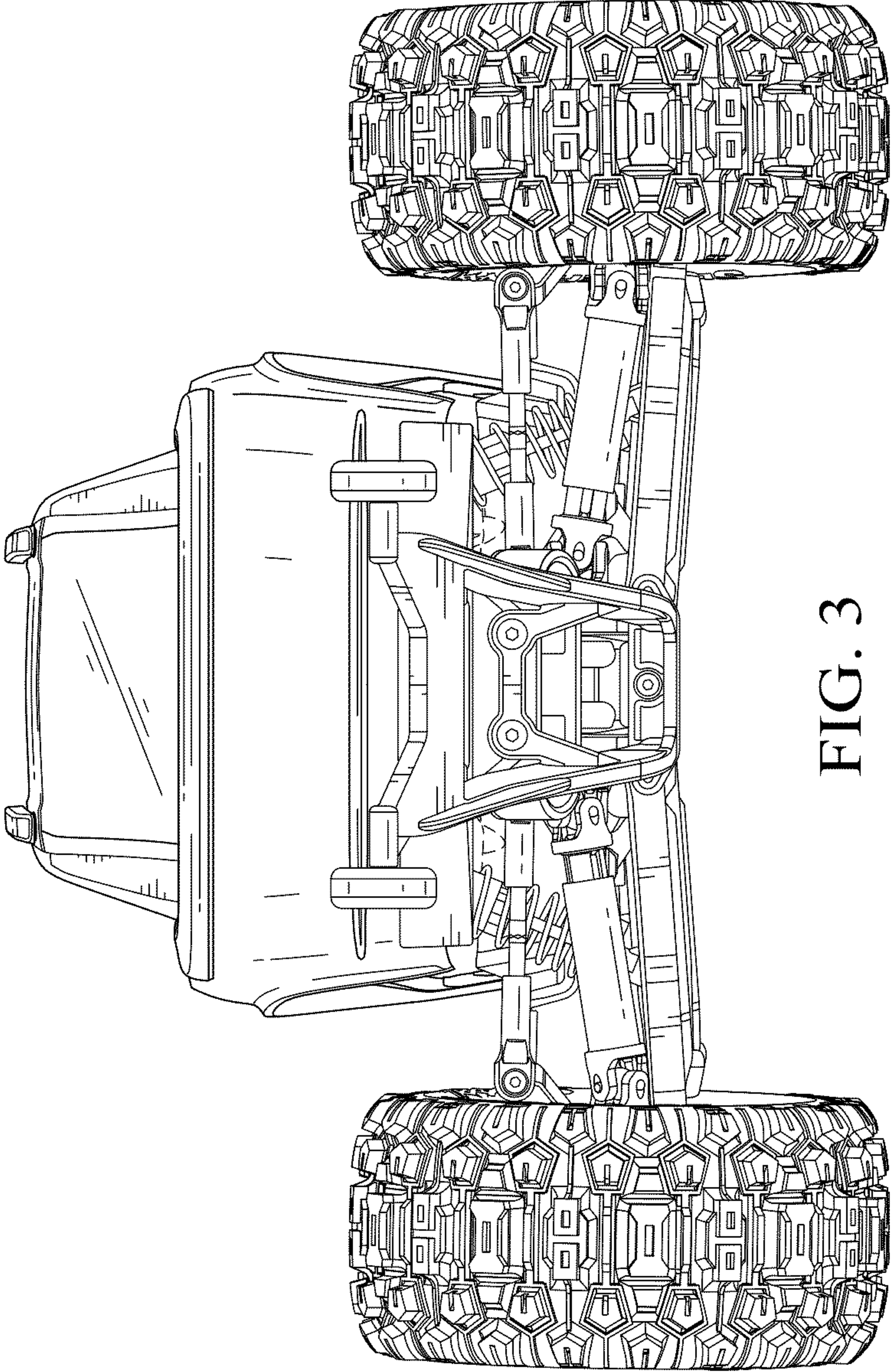


FIG. 3



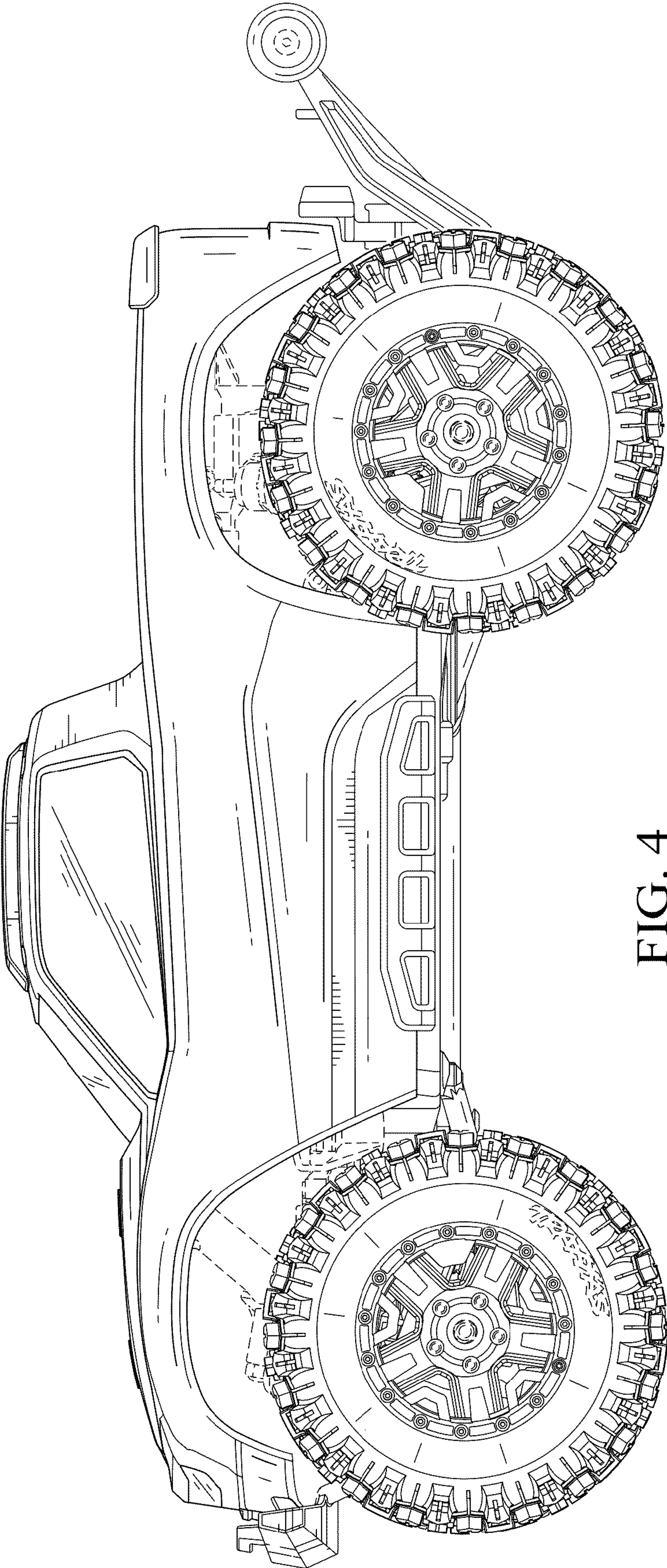


FIG. 4

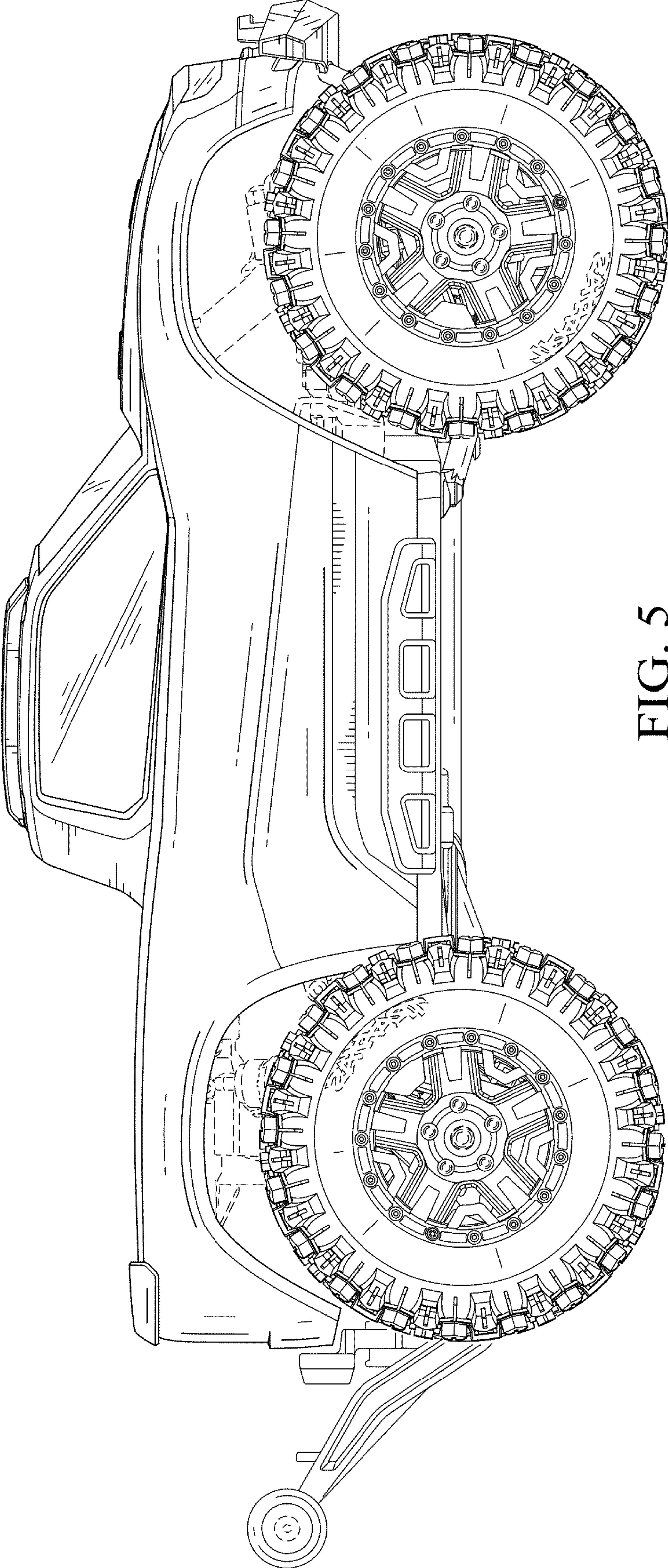


FIG. 5



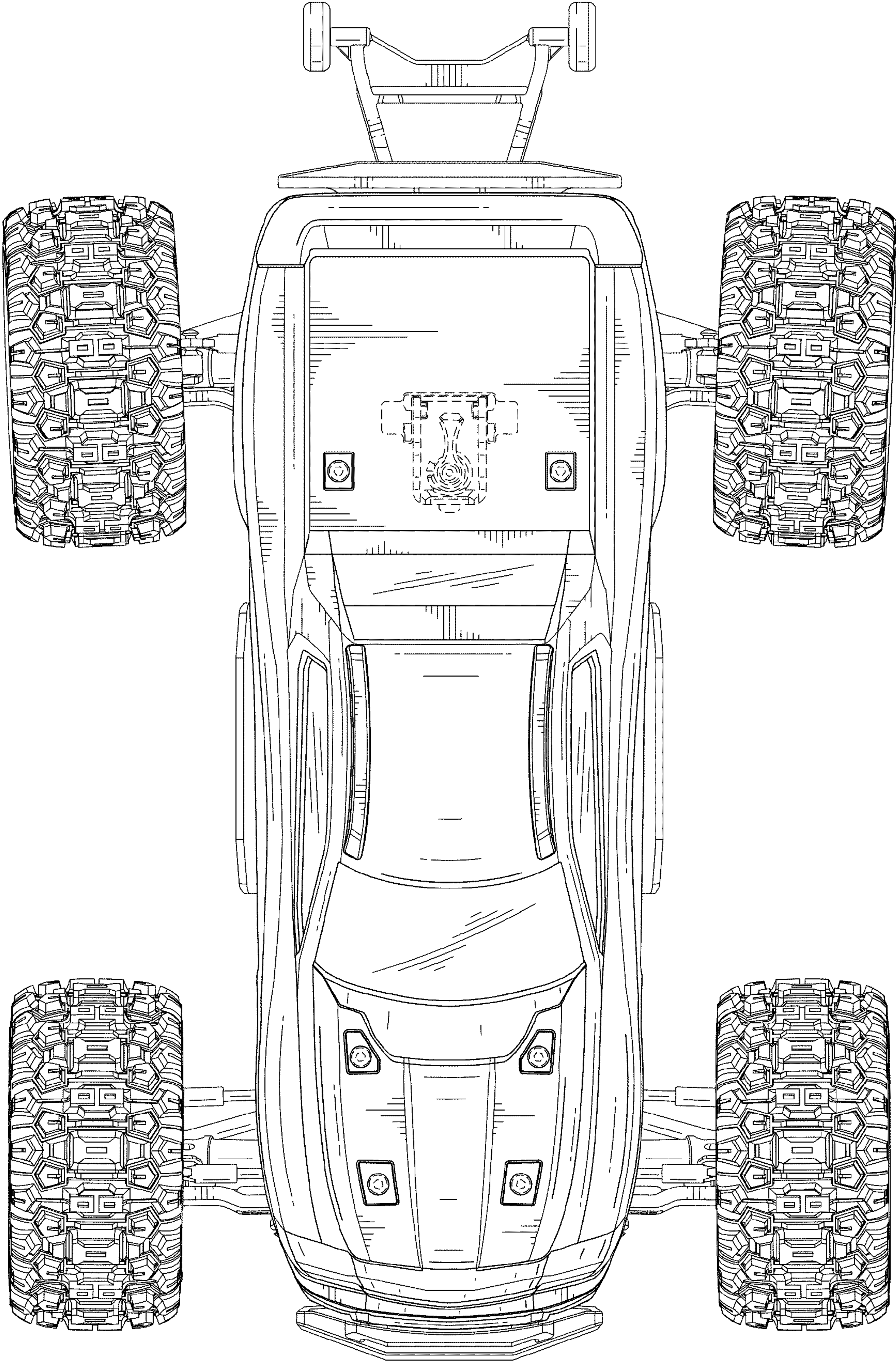


FIG. 6



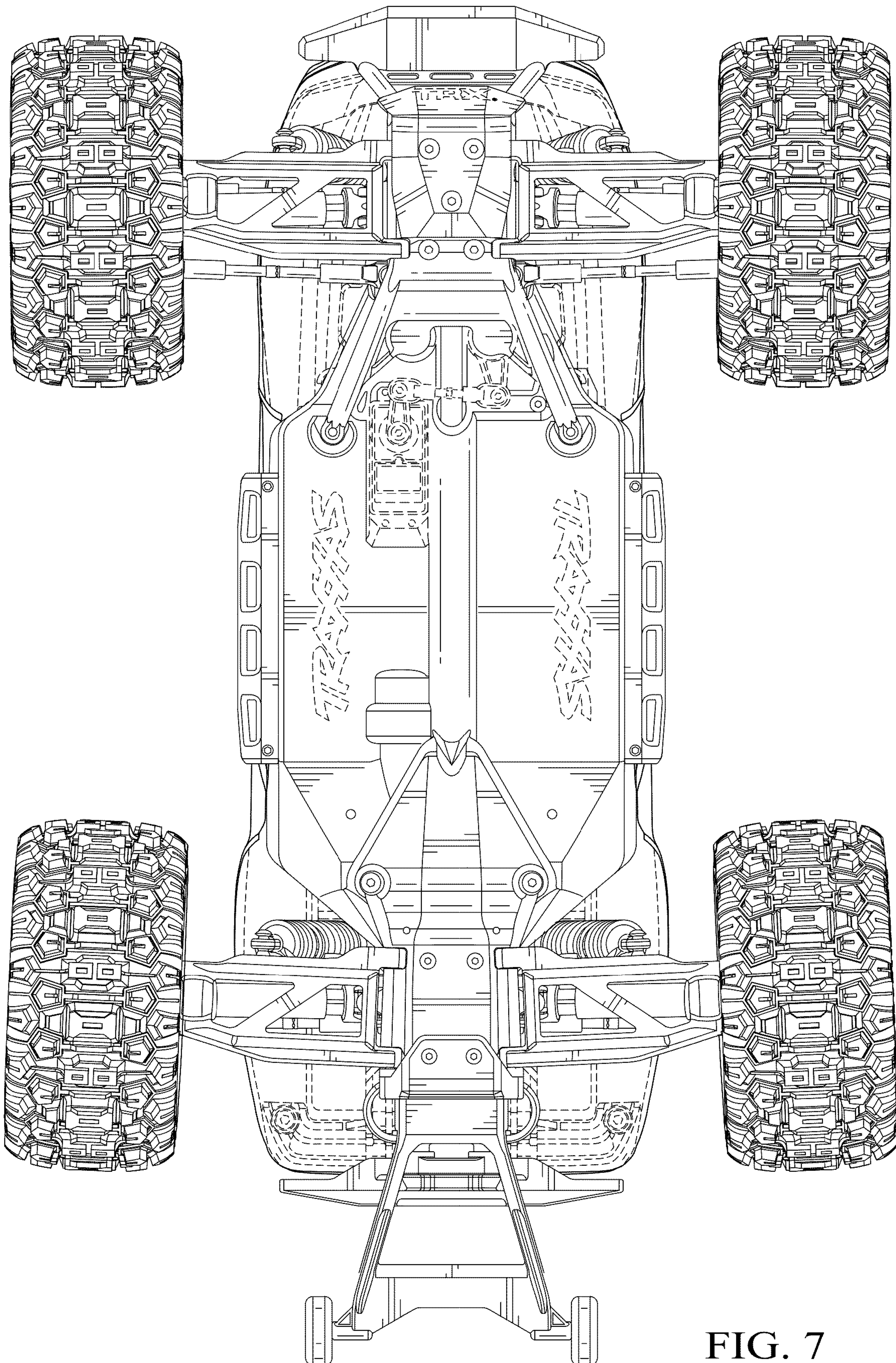


FIG. 7



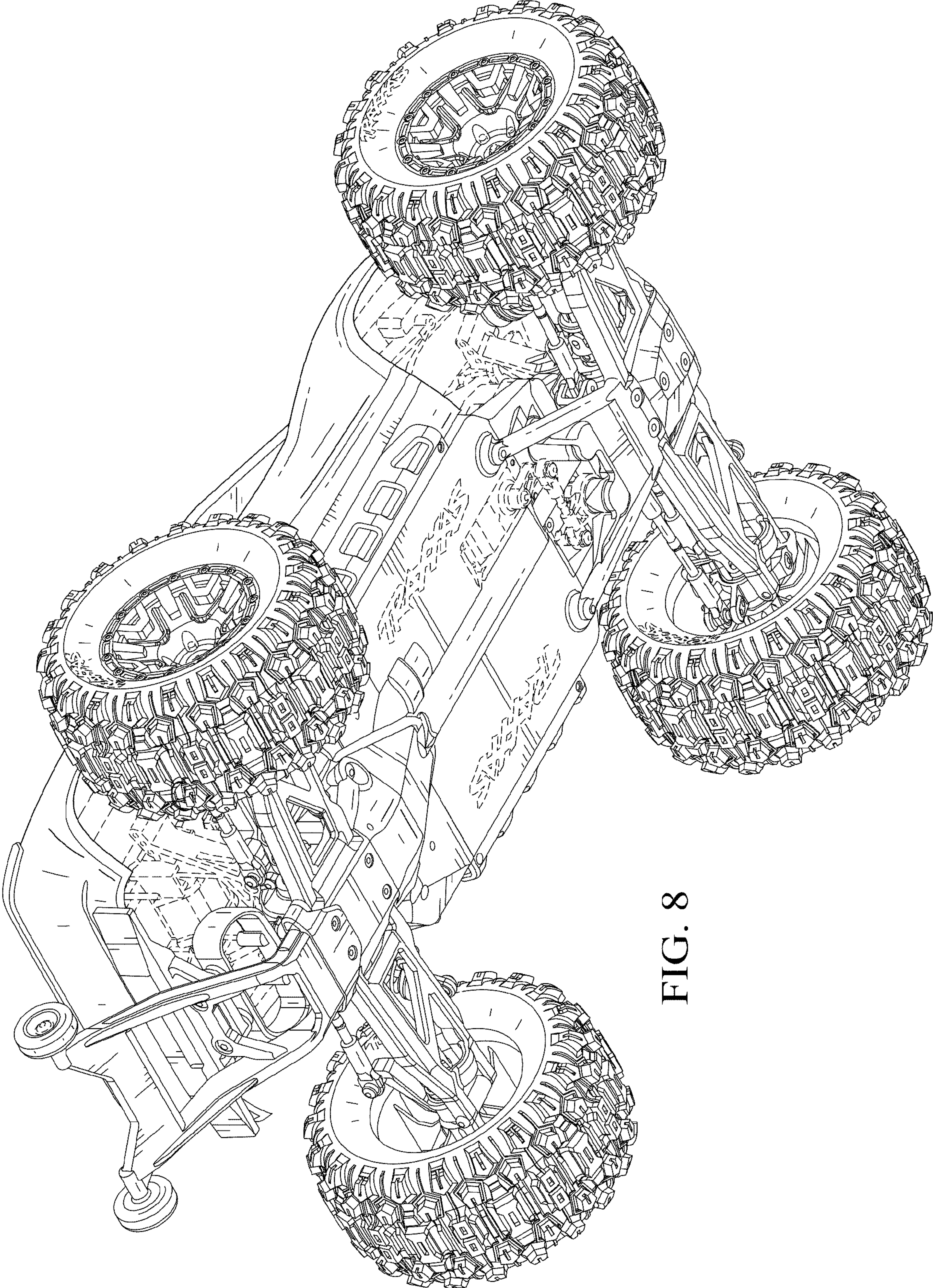


FIG. 8