



US00D999187S

(12) **United States Design Patent** (10) **Patent No.:** **US D999,187 S**
Johnson (45) **Date of Patent:** **** Sep. 19, 2023**

(54) **WHITE NOISE SOUND MACHINE**

D867,342 S * 11/2019 Afshar Bakooshli D14/218
D867,344 S * 11/2019 Afshar Bakooshli D14/218
D888,017 S * 6/2020 Yuan D14/216
D944,790 S * 3/2022 Olsson D14/300

(71) Applicant: **Perch Acquisition Co. 36, LLC**,
Boston, MA (US)

(72) Inventor: **Brian P. Johnson**, Dallas, TX (US)

OTHER PUBLICATIONS

(73) Assignee: **Perch Acquisition Co. 36, LLC**,
Boston, MA (US)

Soundbot store, announced 2014 [online], [site visited Jan. 18, 2022]. Available on internet, URL:https://www.amazon.com/dp/B00ILM977Q/ref (Year: 2014).*

(**) Term: **15 Years**

Momoho Store, announced 2018 [online], [site visited Jan. 18, 2022]. Available on internet, URL:https://www.amazon.com/dp/B07NXXT1X2/ref (Year: 2018).*

(21) Appl. No.: **29/783,568**

Serene Evolution, announced 2020 [online], [site visited Jan. 18, 2022]. Available on internet, URL:https://www.amazon.com/Serene-Evolution-Machine-Remote-Office/dp/B08FZSGFSK/ref (Year: 2020).*

(22) Filed: **May 13, 2021**

(51) **LOC (14) Cl.** **14-01**

(52) **U.S. Cl.**
USPC **D14/204**

* cited by examiner

(58) **Field of Classification Search**
USPC D21/694, 811, 514; D14/485, 496, 128,
D14/204, 216, 218, 221

Primary Examiner — Khawaja Anwar

Assistant Examiner — Julice Seung Eun Oum

(74) *Attorney, Agent, or Firm* — Wolf, Greenfield & Sacks, P.C.

CPC G08C 23/04; G08C 19/12; H04N 5/44;
H04N 5/642; H04N 21/4852; H04L
17/02; B60R 11/0217; G06F 1/1688;
G10K 9/22; G10K 11/004; H03F 1/327;
H04M 1/03; H04M 1/035; H04R 1/02;
H04R 1/06; H04R 1/021; H04R 1/025;
H04R 1/026; H04R 1/028; H04R 1/323;
H04R 1/403; H04R 1/2803; H04R
1/2834; H04R 5/02; H04R 7/20; H04R
9/06; H04R 9/025; H04R 2201/021;
H04R 2400/00; H04R 2400/07; H04R
2499/11; H04R 2499/13; H04R 2499/15;
H04S 3/00; H04S 7/30

See application file for complete search history.

(57) **CLAIM**

The ornamental design for a white noise sound machine, as shown and described.

DESCRIPTION

FIG. 1 is a perspective view of a white noise sound machine, as viewed from the top and front.

FIG. 2 is a front profile view thereof.

FIG. 3 is a back profile view thereof.

FIG. 4 is a first side profile view thereof.

FIG. 5 is a second side profile view thereof.

FIG. 6 is a top plan view thereof; and,

FIG. 7 is a bottom plan view thereof.

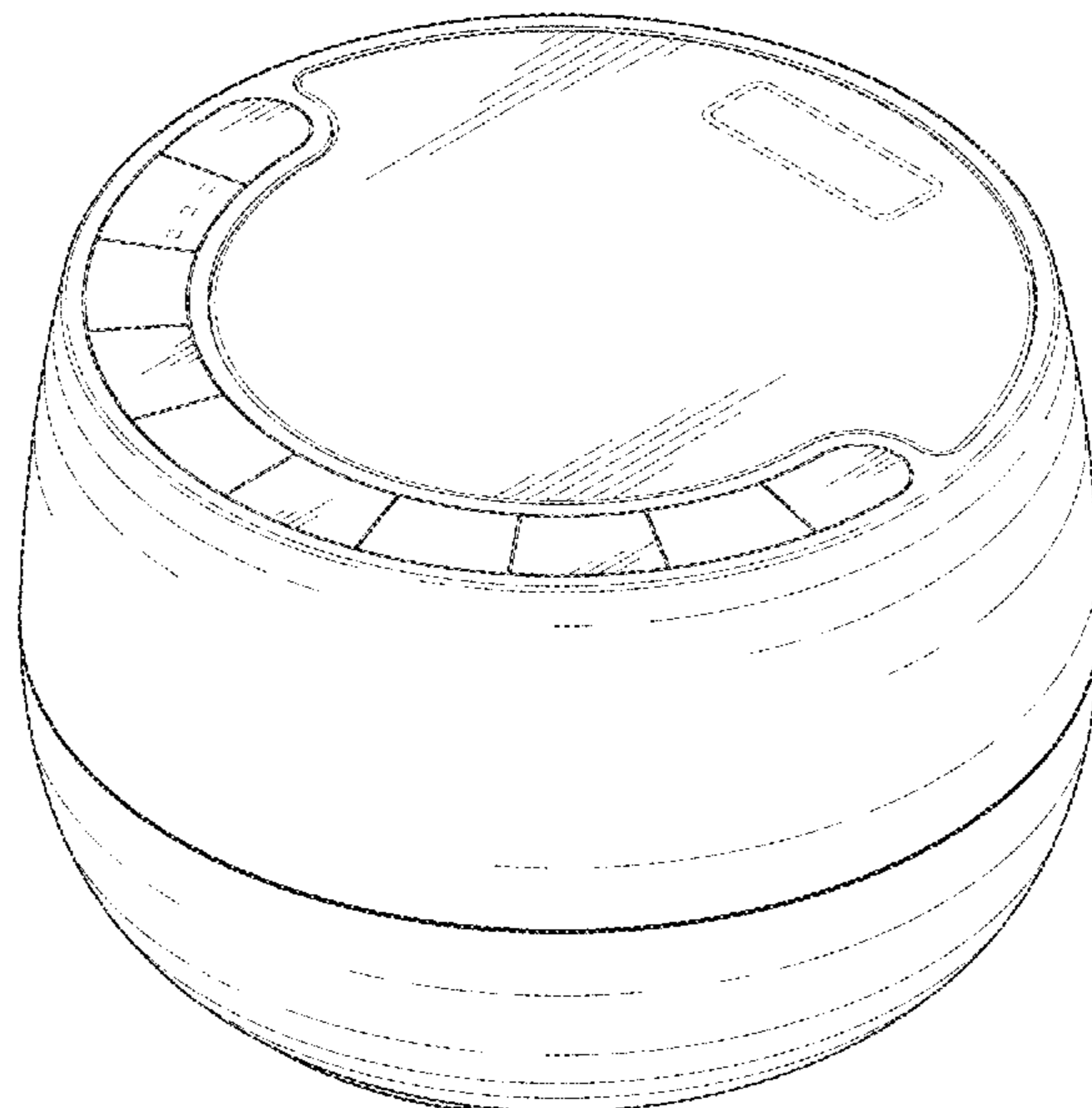
The broken lines in the drawings illustrate portions of the white noise sound machine that form no part of the claimed design.

(56) **References Cited**

U.S. PATENT DOCUMENTS

D792,374 S * 7/2017 Kim D14/204
D857,648 S * 8/2019 Okuley D14/204

1 Claim, 4 Drawing Sheets



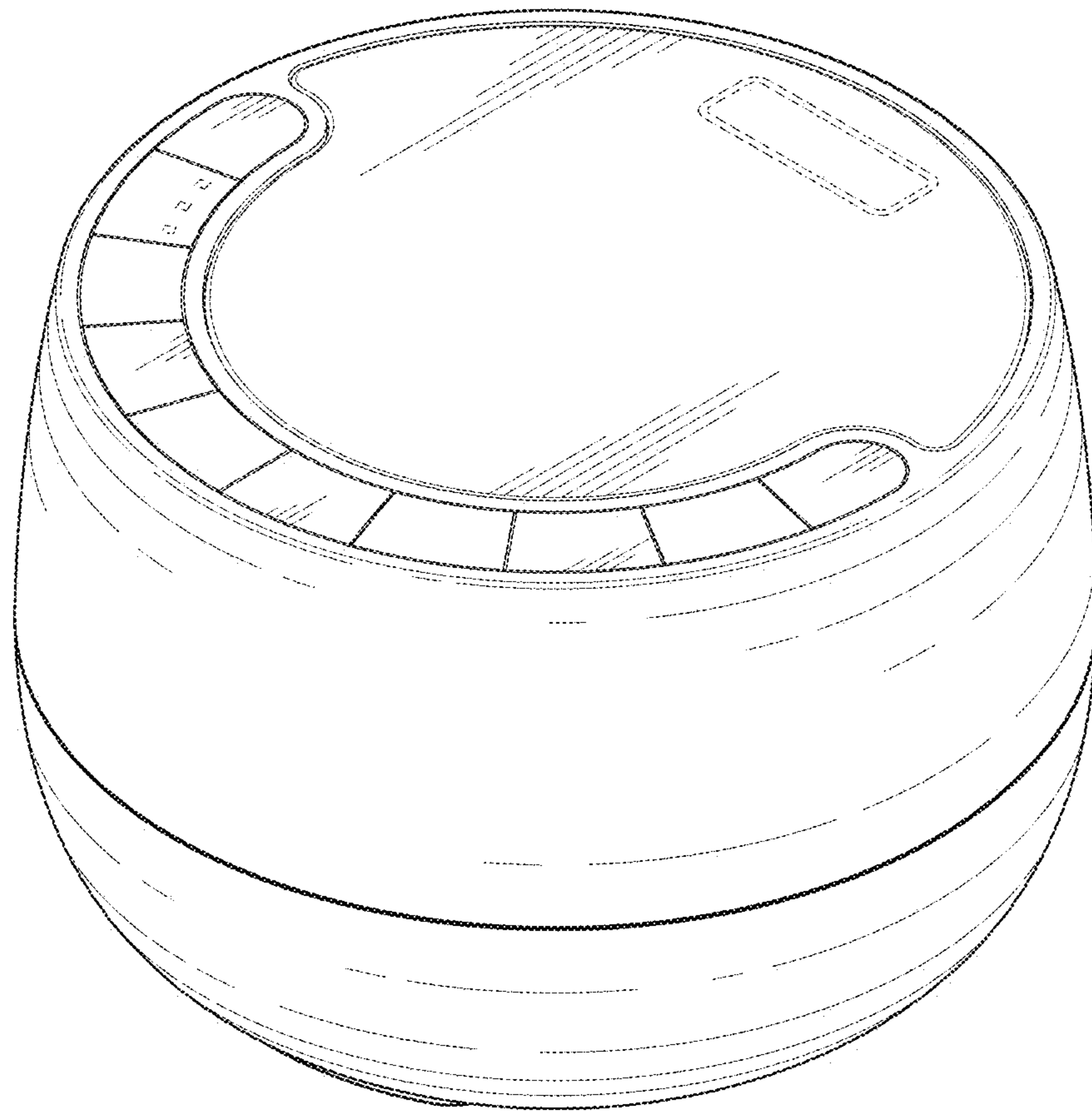


Fig. 1

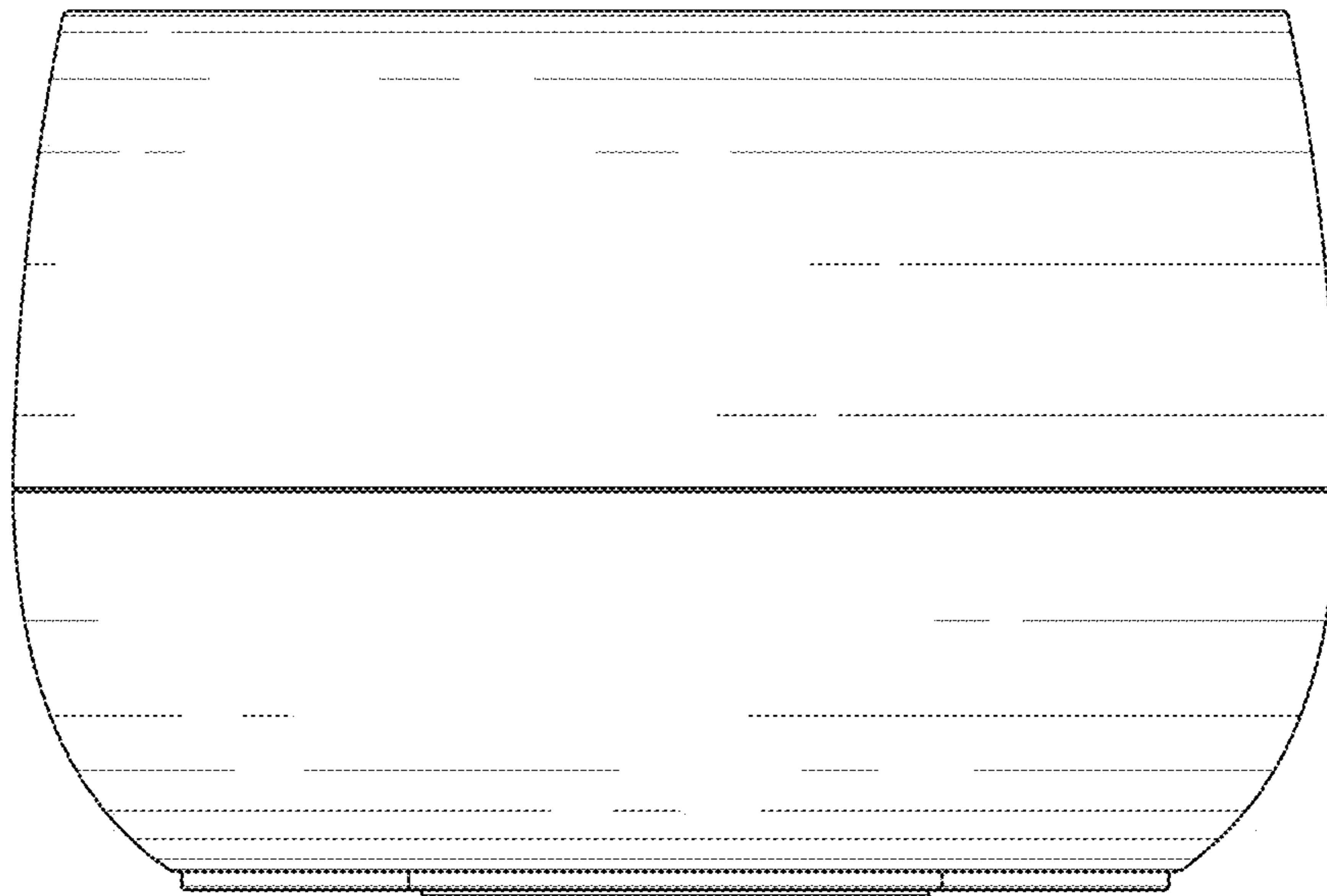


Fig. 2

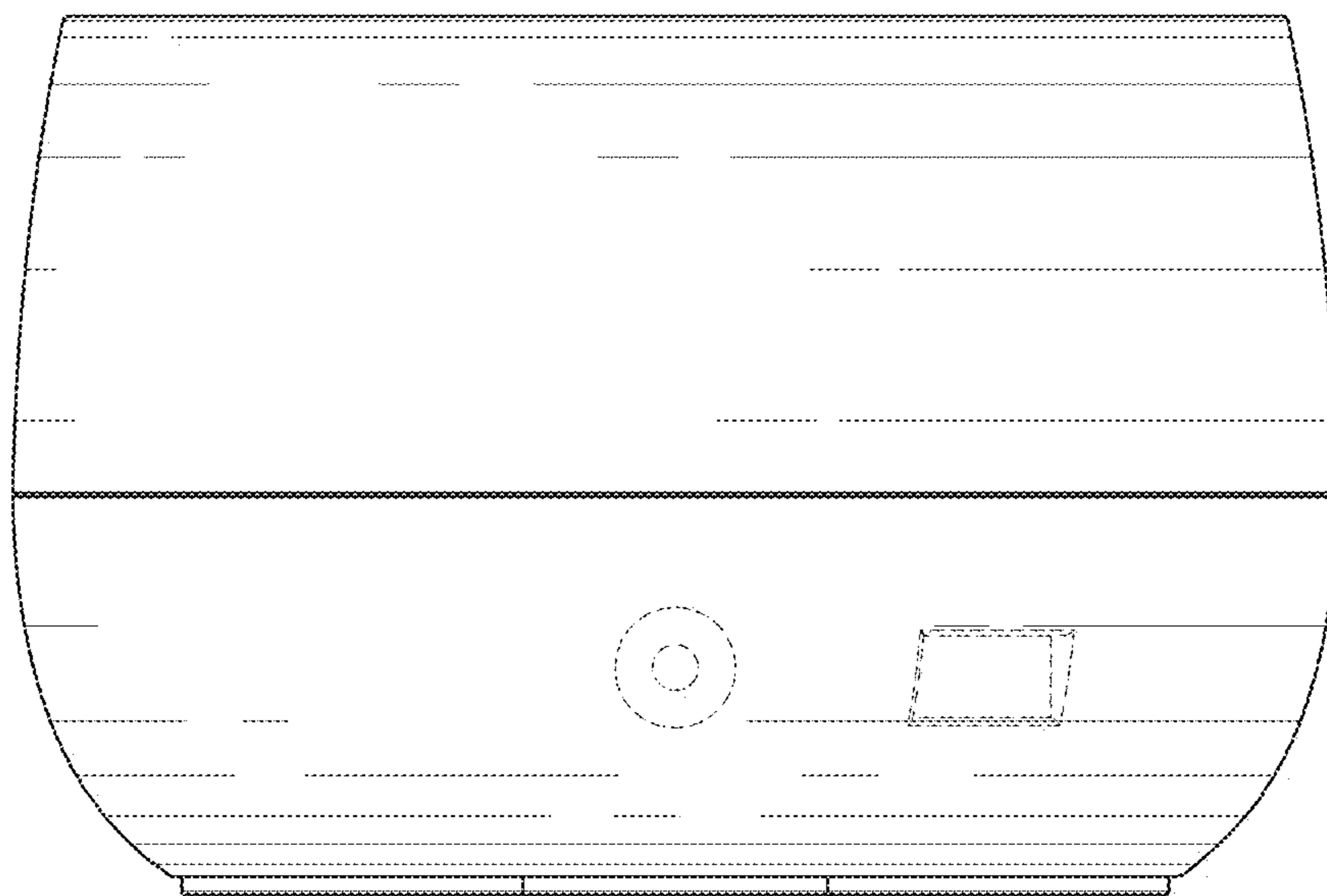


Fig. 3

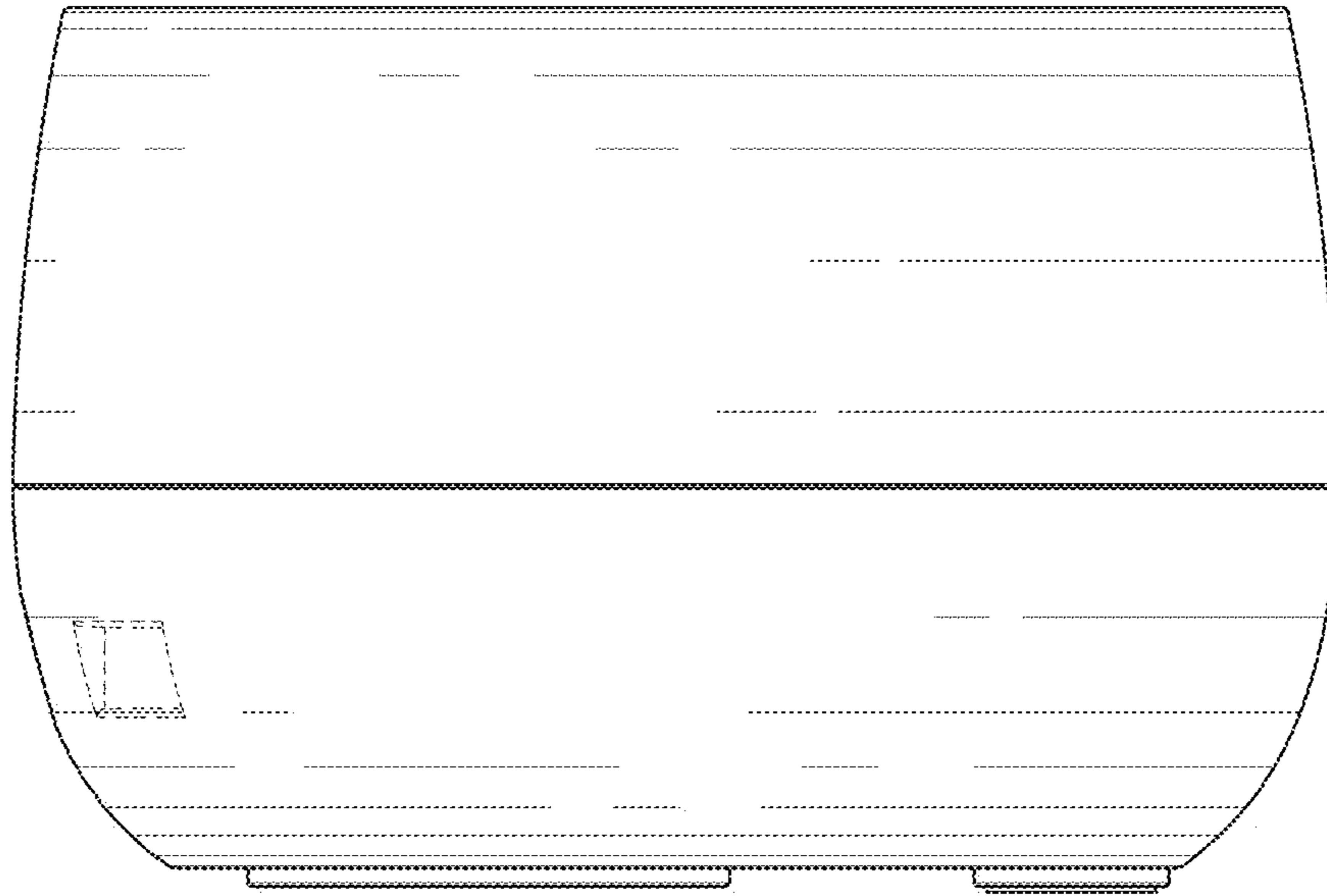


Fig. 4

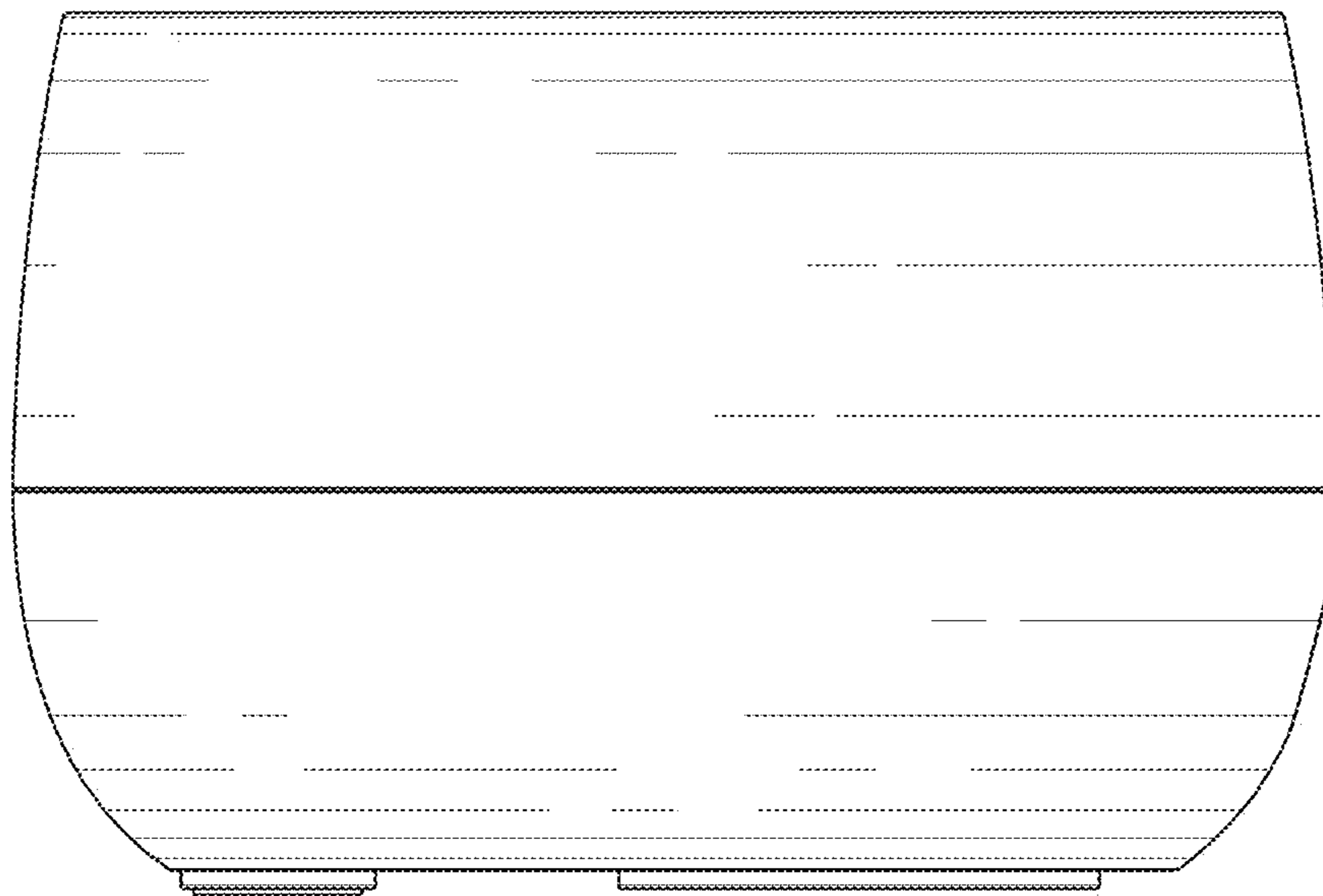


Fig. 5

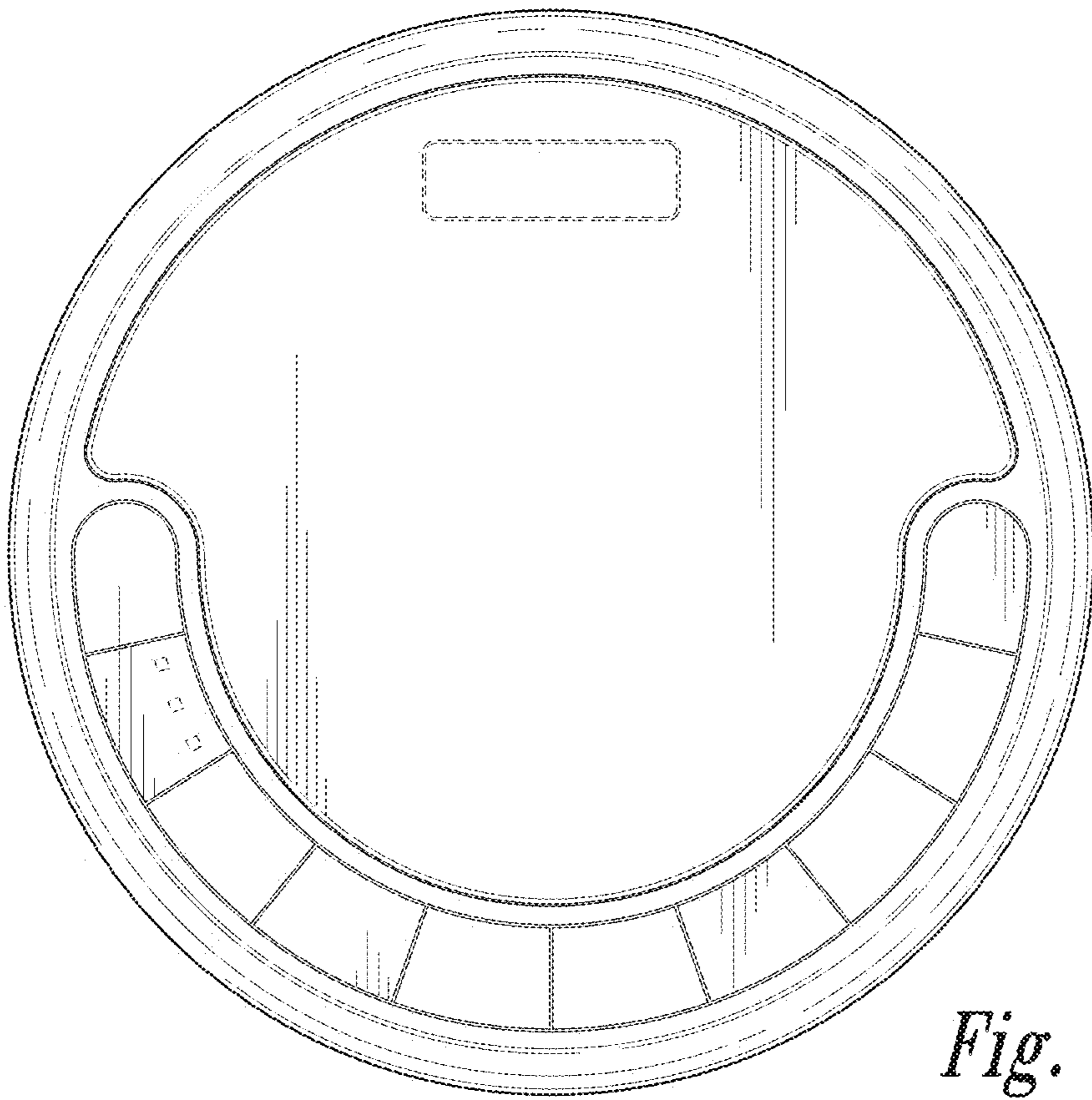


Fig. 6

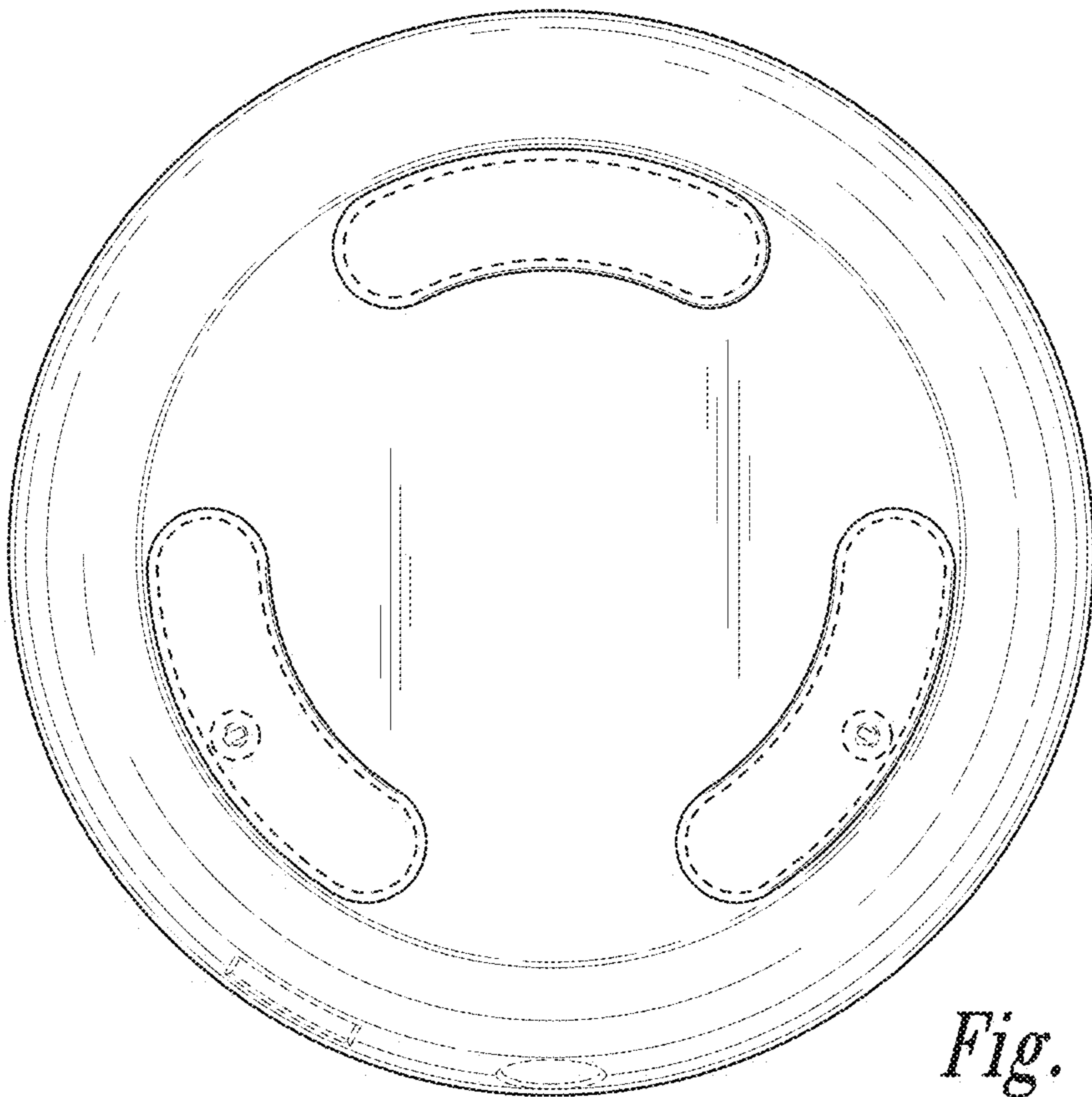


Fig. 7