



US00D999139S

(12) **United States Design Patent**  
**Abderrazak**

(10) **Patent No.:** **US D999,139 S**

(45) **Date of Patent:** **\*\* \*Sep. 19, 2023**

(54) **WHEEL RIM**

(71) Applicant: **Naim Abderrazak**, Arlington, TX (US)

(72) Inventor: **Naim Abderrazak**, Arlington, TX (US)

(\*) Notice: This patent is subject to a terminal disclaimer.

(\*\*) Term: **15 Years**

(21) Appl. No.: **29/748,778**

(22) Filed: **Sep. 1, 2020**

(51) **LOC (14) Cl.** ..... **12-16**

(52) **U.S. Cl.**  
USPC ..... **D12/209**

(58) **Field of Classification Search**  
USPC ..... D12/204–213; D21/563  
CPC .... B60B 7/00; B60B 7/02; B60B 7/04; B60B 7/01; B60B 7/06; B60B 3/02; B60B 3/04; B60B 3/06; B60B 3/10; B60B 1/00; B60B 1/08; B60B 1/10; B60B 1/12  
See application file for complete search history.

(56) **References Cited**

U.S. PATENT DOCUMENTS

D415,091 S	*	10/1999	Echazabal	.....	D12/209
D695,669 S	*	12/2013	Pollmann	.....	D12/209
D753,045 S	*	4/2016	Kawaguchi	.....	D12/209
D762,543 S	*	8/2016	Hara	.....	D12/209
D840,900 S	*	2/2019	Licklitter	.....	D12/211
D842,191 S	*	3/2019	Han	.....	D12/209
D847,063 S	*	4/2019	Kikuchi	.....	D12/209
D848,925 S	*	5/2019	Myrberg	.....	D12/209
D857,590 S	*	8/2019	Setter	.....	D12/209

D860,092 S	*	9/2019	Milani	.....	D12/209
D863,190 S	*	10/2019	Han	.....	D12/209
D864,831 S	*	10/2019	Umehara	.....	D12/209
D870,631 S	*	12/2019	Ash	.....	D12/209
D871,301 S	*	12/2019	Meng	.....	D12/209
D871,302 S	*	12/2019	Han	.....	D12/209
D871,995 S	*	1/2020	Bjerke	.....	D12/209
D874,375 S	*	2/2020	Han	.....	D12/209
D877,025 S	*	3/2020	Rosello Visa	.....	D12/209
D893,381 S	*	8/2020	Han	.....	D12/209
D894,080 S	*	8/2020	Valencia Pollex	.....	D12/209
D900,696 S	*	11/2020	Han	.....	D12/209
D905,610 S	*	12/2020	Rosello Visa	.....	D12/209
D909,273 S	*	2/2021	Rosello Visa	.....	D12/209
D910,526 S	*	2/2021	Piaskowski	.....	D12/209
D911,909 S	*	3/2021	Rosello Visa	.....	D12/209
D912,590 S	*	3/2021	Rosello Visa	.....	D12/209
D912,594 S	*	3/2021	Ranum	.....	D12/209
D922,927 S	*	6/2021	Kaoud	.....	D12/209
D924,770 S	*	7/2021	Aslam	.....	D12/209

\* cited by examiner

*Primary Examiner* — Stacia A Cadmus

(74) *Attorney, Agent, or Firm* — Eric Karich; Karich & Associates

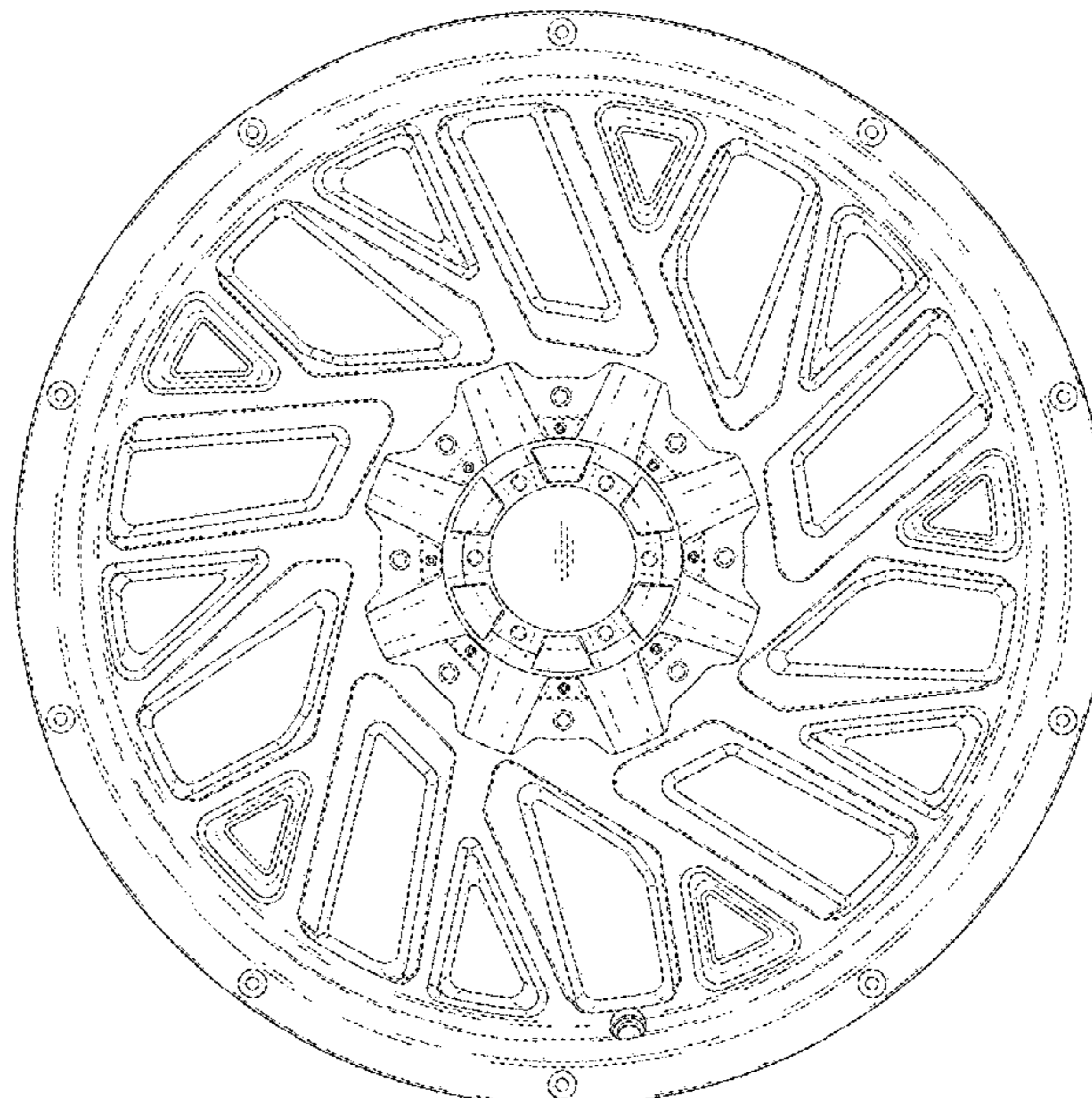
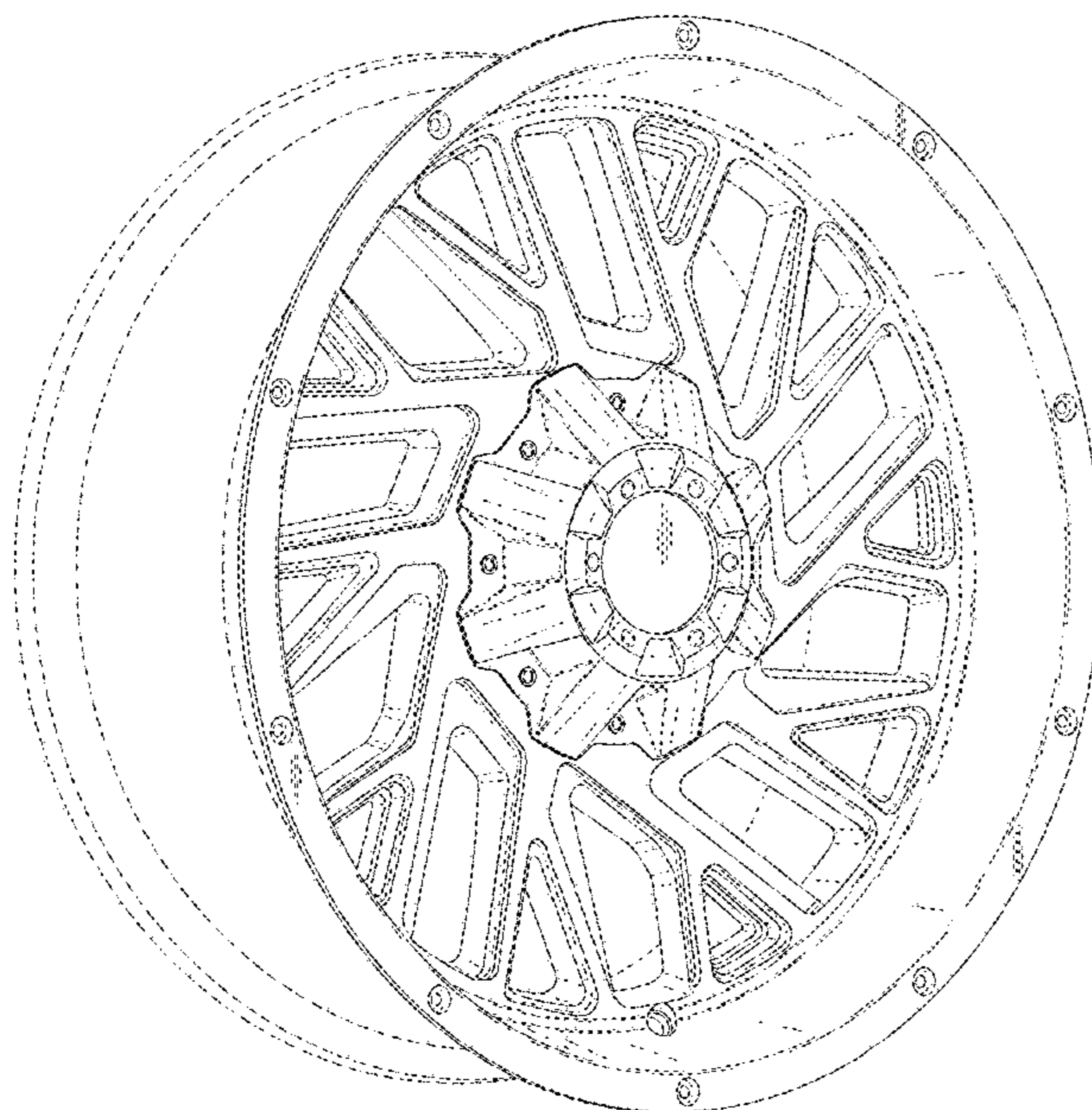
(57) **CLAIM**

The ornamental design for a wheel rim, as shown and described.

**DESCRIPTION**

FIG. 1 is a perspective view of a wheel rim, showing my new design; and,  
FIG. 2 is a front elevational view thereof.  
In the drawings the broken lines depict portions of the vehicle wheel and form no part of the claimed design.

**1 Claim, 2 Drawing Sheets**



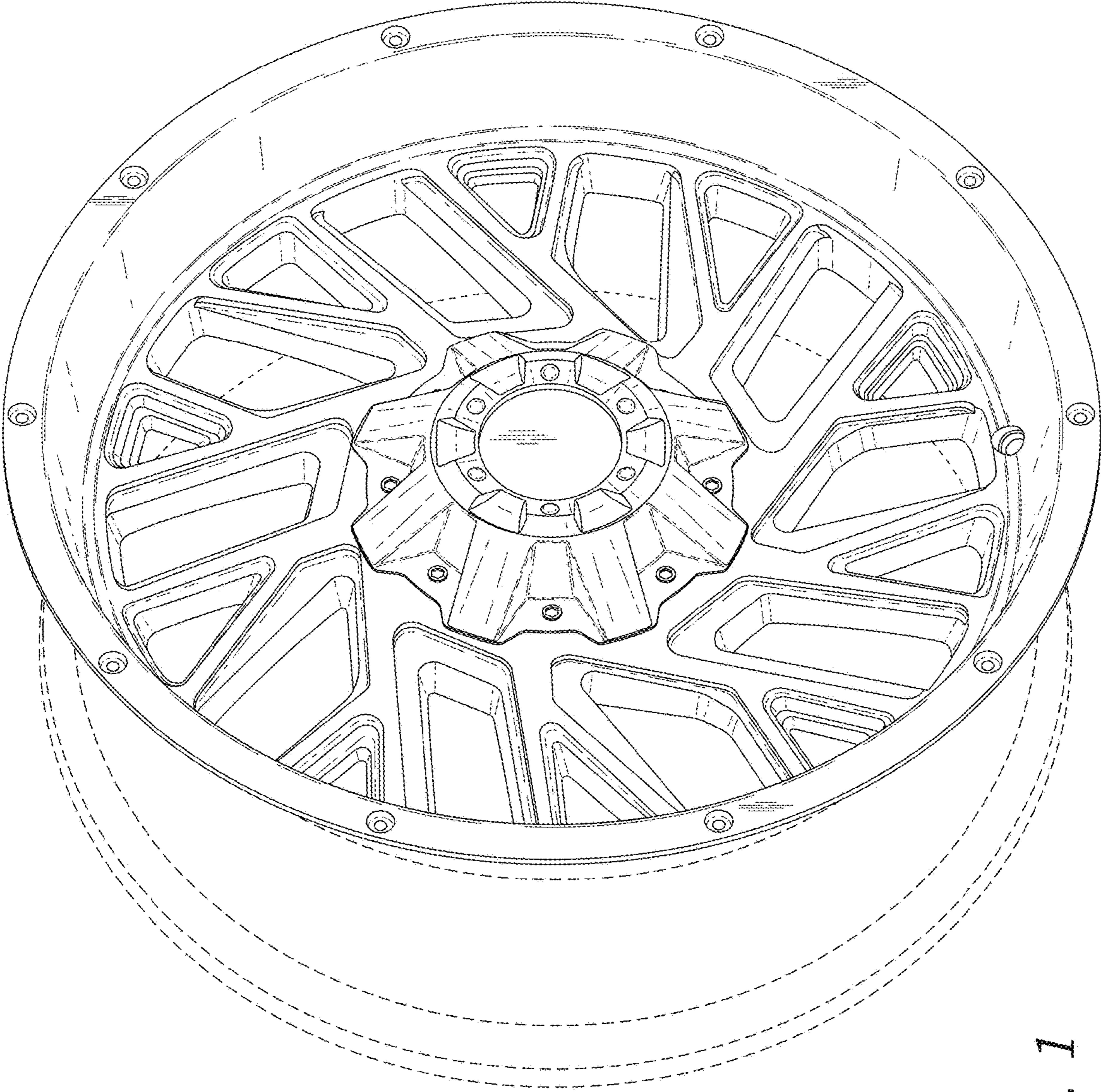


Fig. 1

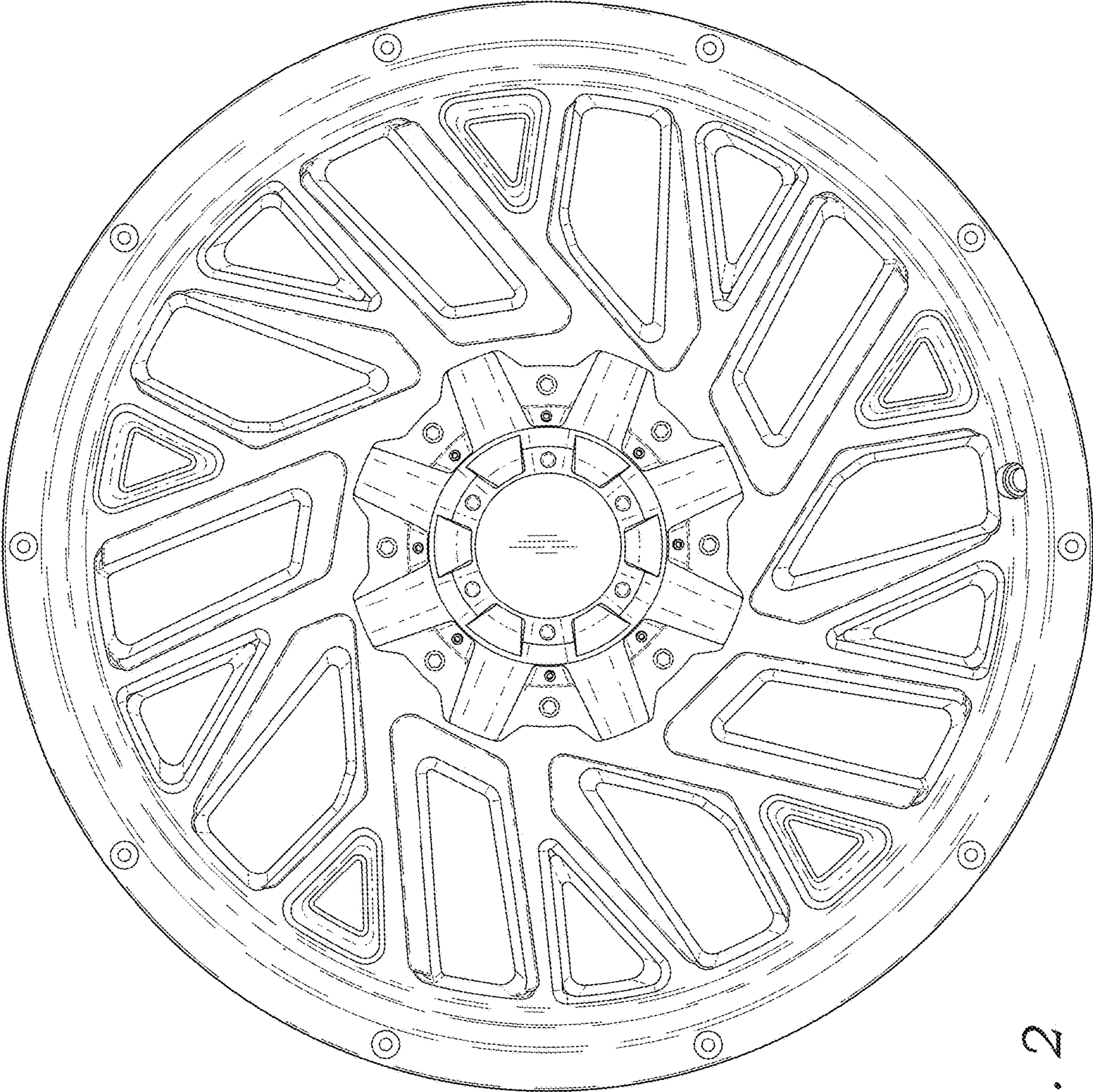


Fig. 2