



US00D999062S

(12) **United States Design Patent** (10) **Patent No.:** **US D999,062 S**  
**Scanlon** (45) **Date of Patent:** **\*\* Sep. 19, 2023**

- (54) **GROCERY BAG CARRIER**
- (71) Applicant: **KEWL Products, LLC**, Aurora, CO (US)
- (72) Inventor: **Erica Scanlon**, Aurora, CO (US)
- (\*\*) Term: **15 Years**
- (21) Appl. No.: **29/759,332**
- (22) Filed: **Nov. 21, 2020**

- D362,621 S \* 9/1995 Blocker ..... D9/434
- D362,622 S \* 9/1995 Van Davelaar ..... D9/434
- D369,746 S \* 5/1996 Sheppard ..... D9/434
- D380,670 S \* 7/1997 Blocker ..... D9/434
- D385,189 S \* 10/1997 Weller ..... D9/434
- D385,788 S \* 11/1997 Risser ..... D9/434
- D388,326 S \* 12/1997 Gurry ..... D9/434
- D394,351 S \* 5/1998 Henderson ..... 294/158
- D417,393 S \* 12/1999 DiMeo ..... D9/434
- D422,867 S \* 4/2000 Forbes ..... D9/434
- D490,235 S \* 5/2004 Nykoluk ..... D3/202

(Continued)

**Related U.S. Application Data**

- (63) Continuation of application No. 15/974,959, filed on May 9, 2018, now Pat. No. 10,939,746.
- (60) Provisional application No. 62/503,891, filed on May 9, 2017.
- (51) **LOC (14) Cl.** ..... **09-07**
- (52) **U.S. Cl.**  
USPC ..... **D9/455**
- (58) **Field of Classification Search**  
USPC ..... D7/387, 391, 392, 392.1, 396.2;  
D9/434-436, 440, 443, 447, 499, 455  
CPC ..... A45F 5/1026; B60N 3/102; B60N 3/103;  
A47F 10/00; B60R 7/043  
See application file for complete search history.

**References Cited**

**U.S. PATENT DOCUMENTS**

- 641,340 A \* 1/1900 Smith ..... B65G 7/12  
294/170
- 3,814,367 A \* 6/1974 Rasmussen ..... A47G 23/0225  
248/311.2
- 4,657,295 A \* 4/1987 Holem ..... A45C 13/38  
294/169
- D295,727 S \* 5/1988 Clarke ..... D9/434
- 5,351,866 A \* 10/1994 Foss ..... A61M 5/008  
D9/434
- D356,261 S \* 3/1995 Miceli, Jr. .... D9/455
- D362,386 S \* 9/1995 Blocker ..... D3/315

**OTHER PUBLICATIONS**

Amazon. Trip Grip, Trip Grip. Jun. 14, 2007. <https://www.amazon.com/dp/B000RZ6XL8/?tag=097-20&ascsubtag=default> (Year: 2007).\*

*Primary Examiner* — Darcey E Gottschalk  
(74) *Attorney, Agent, or Firm* — Bretton L. Crockett;  
TechLaw Ventures PLLC

(57) **CLAIM**

The ornamental design for a grocery bag carrier, as shown and described.

**DESCRIPTION**

FIG. 1 is a perspective view of a grocery bag carrier illustrating the design.

FIG. 2 is a right-side of the grocery bag carrier shown in FIG. 1.

FIG. 3 is a left-side view of the grocery bag carrier shown in FIGS. 1-2.

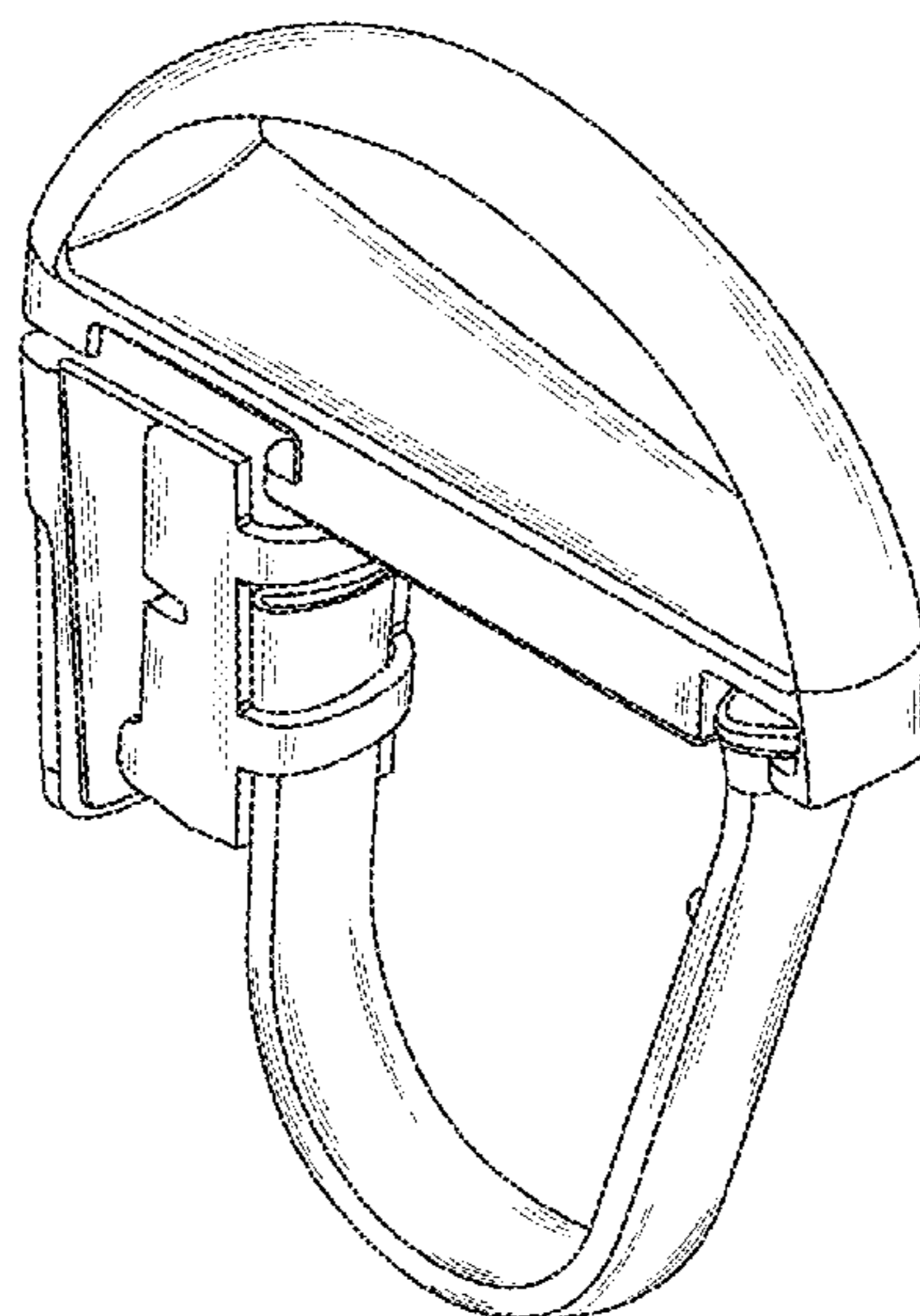
FIG. 4 is a rear view of the grocery bag carrier shown in FIGS. 1-3.

FIG. 5 is a front view of the grocery bag carrier shown in FIGS. 1-4.

FIG. 6 is a top view of the grocery bag carrier shown in FIGS. 1-5; and,

FIG. 7 is a bottom view of the grocery bag carrier shown in FIGS. 1-6.

**1 Claim, 4 Drawing Sheets**



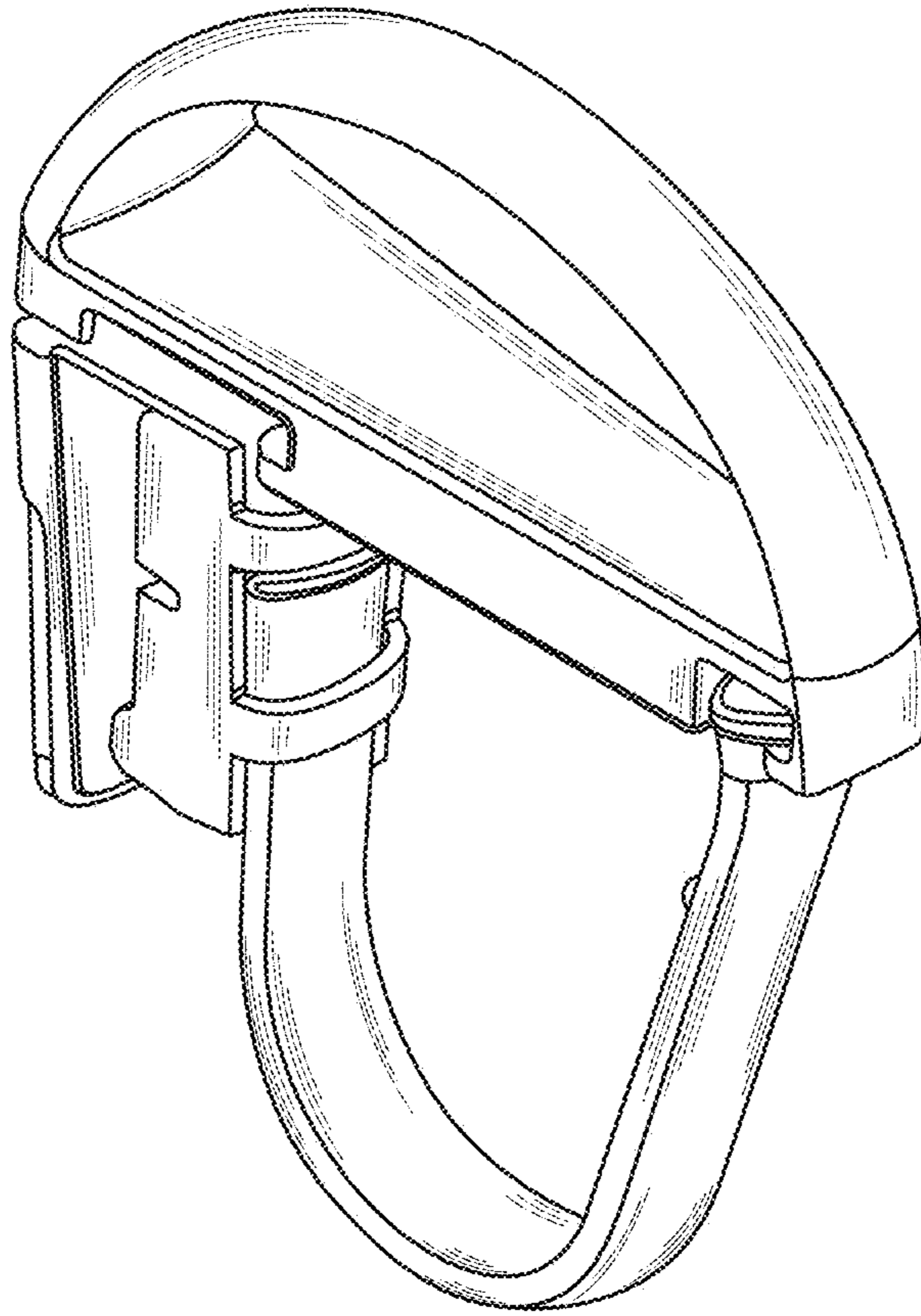
(56)

**References Cited**

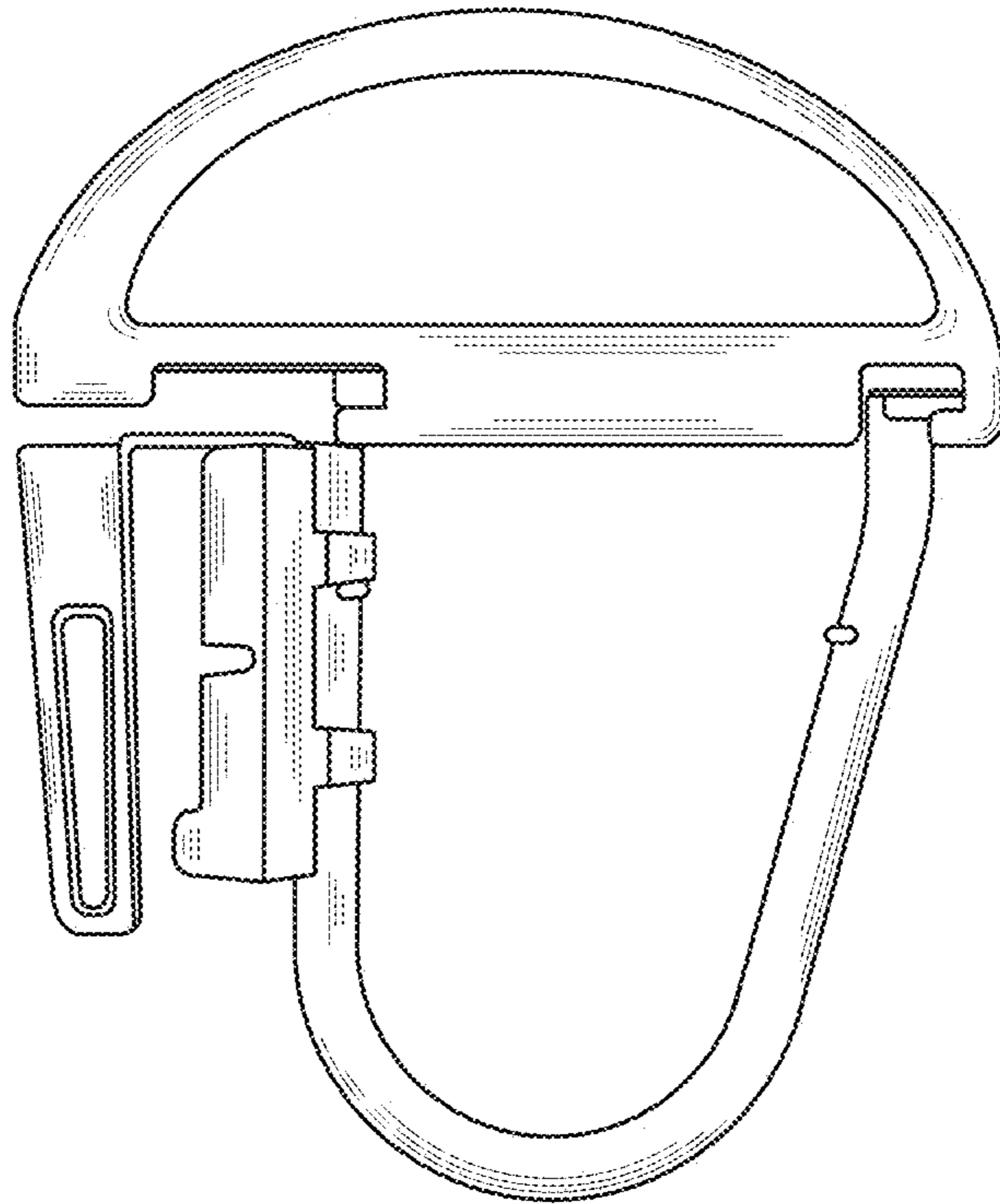
U.S. PATENT DOCUMENTS

D497,255 S *	10/2004	Scola .....	D3/328
D502,395 S *	3/2005	Blanchester .....	D9/434
D634,634 S *	3/2011	Jones .....	D9/455
D674,693 S *	1/2013	Moorhouse .....	D9/434
D697,403 S *	1/2014	Rendo .....	D9/434
D702,550 S *	4/2014	Rendo .....	D9/434
2018/0325250 A1 *	11/2018	Scanlon .....	B60R 7/043

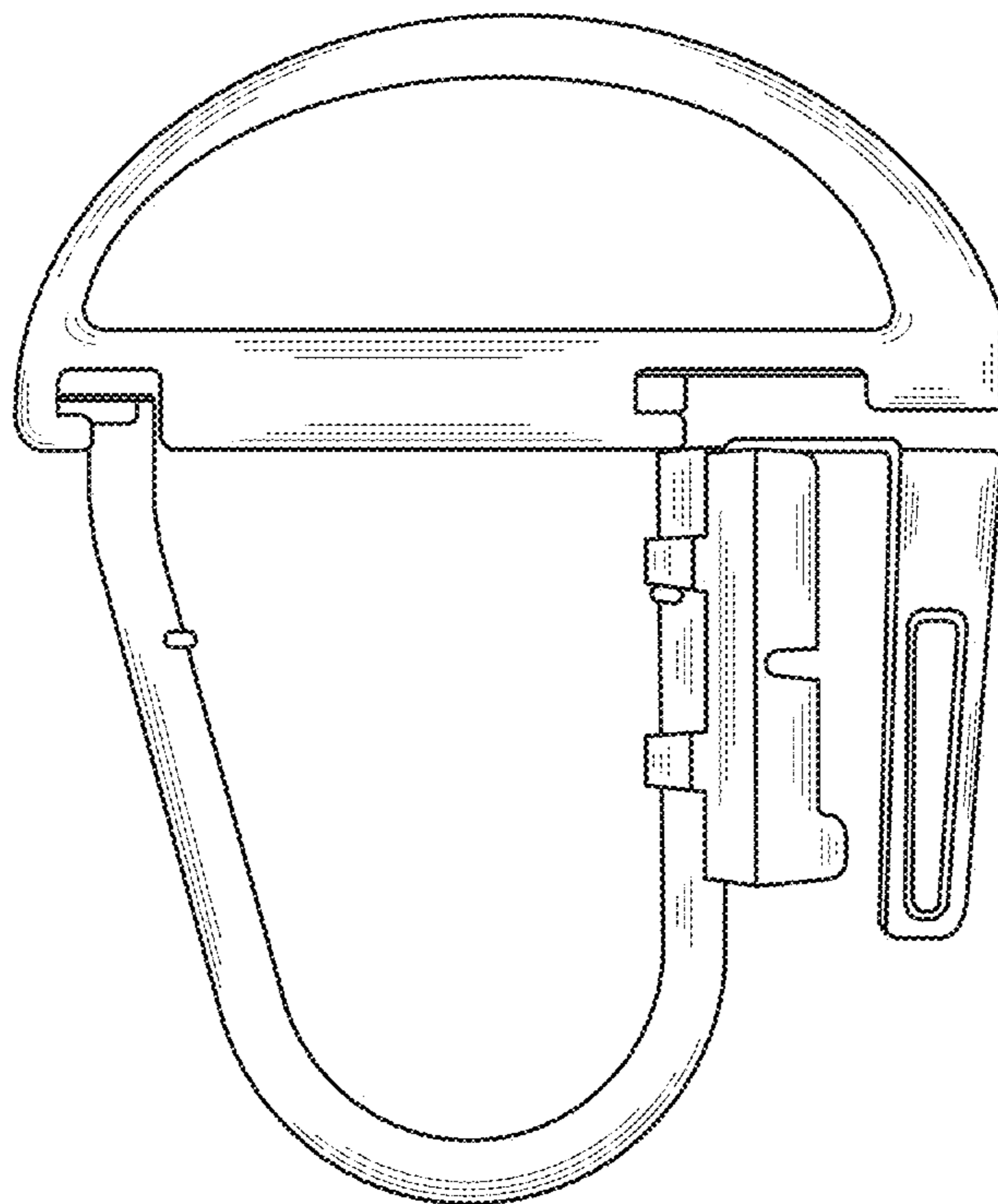
\* cited by examiner



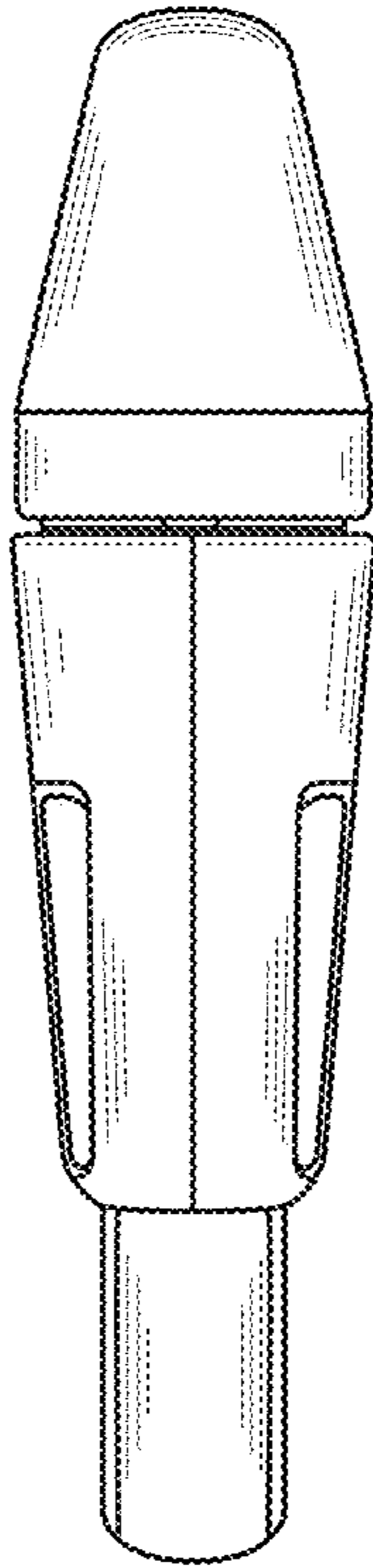
**FIG. 1**



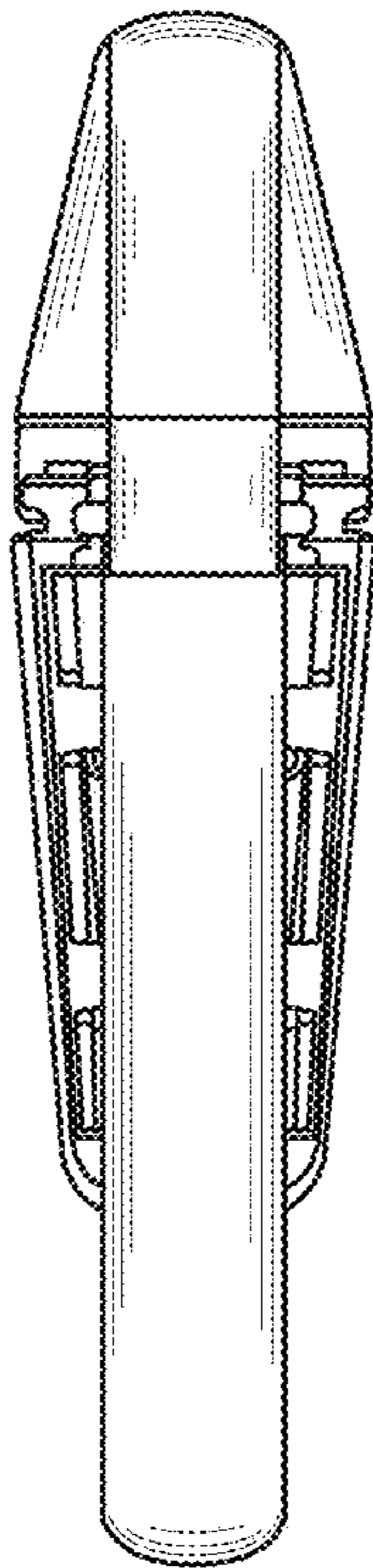
**FIG. 2**



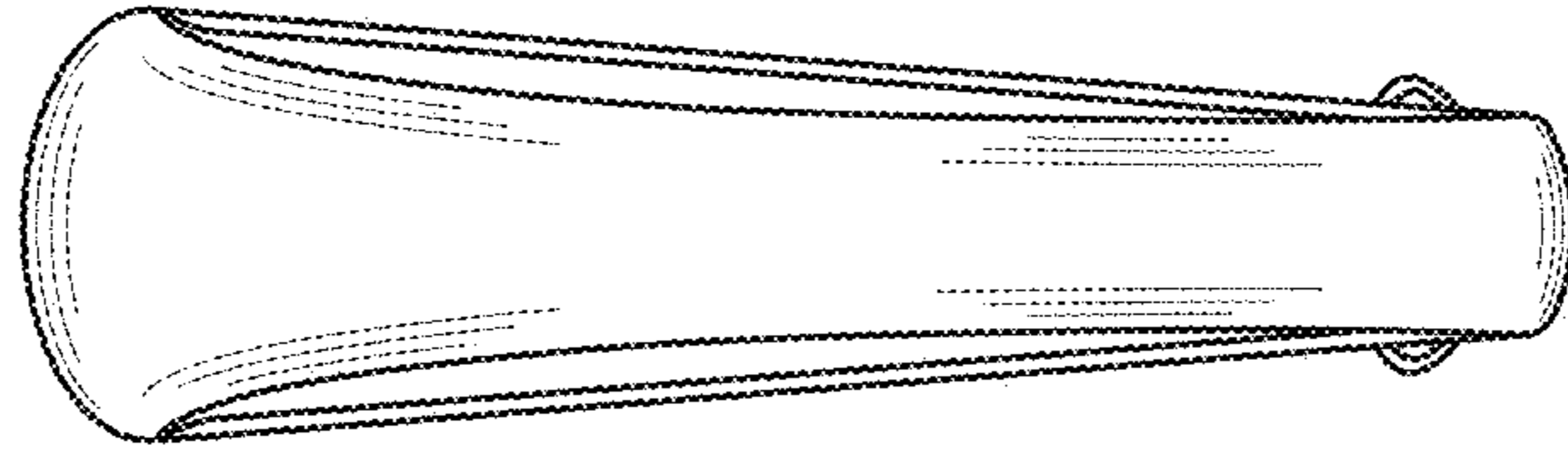
**FIG. 3**



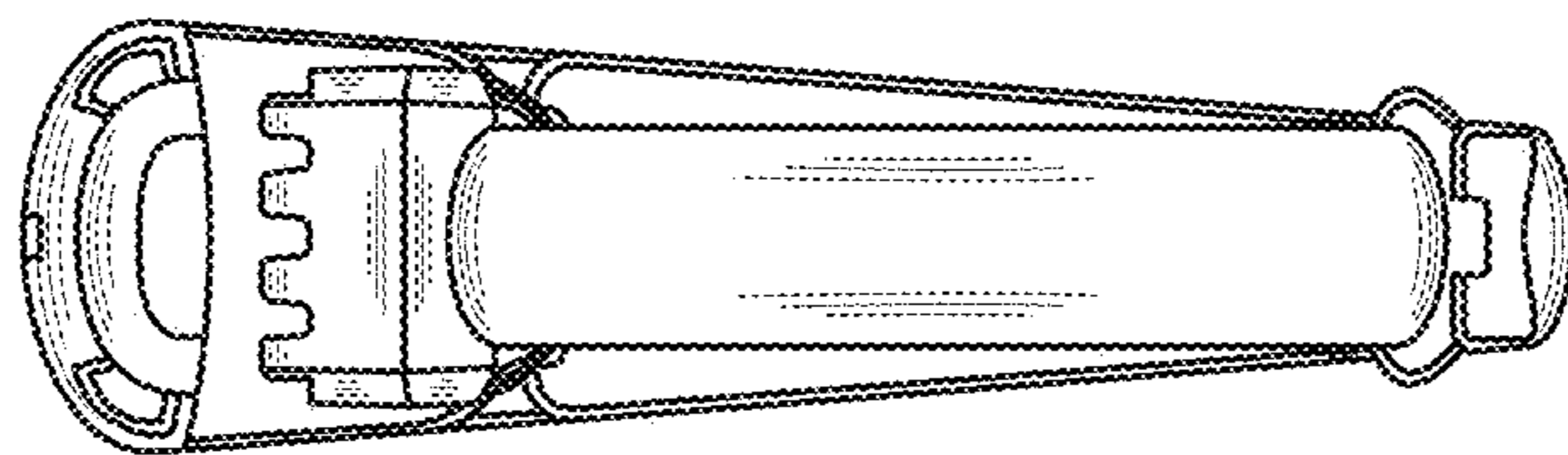
**FIG. 4**



**FIG. 5**



**FIG. 6**



**FIG. 7**