



US00D999041S

(12) **United States Design Patent** (10) **Patent No.:** **US D999,041 S**  
**Herbst** (45) **Date of Patent:** **\*\* Sep. 19, 2023**

(54) **COMPACT CUTTER**  
(71) Applicant: **SLICE, INC.**, Sunny Isles, FL (US)  
(72) Inventor: **Scot Herbst**, Santa Cruz, CA (US)  
(73) Assignee: **Slice, Inc.**, Sunny Isles, FL (US)  
(\*\*) Term: **15 Years**  
(21) Appl. No.: **29/811,586**  
(22) Filed: **Oct. 15, 2021**  
(51) **LOC (14) Cl.** ..... **08-03**  
(52) **U.S. Cl.**  
USPC ..... **D8/99**  
(58) **Field of Classification Search**  
USPC ..... D8/14, 51, 98, 99, 100, 105  
CPC ..... B26B 5/001; B26B 5/003; B26B 11/00;  
B26B 1/08; B26B 1/02; B26B 1/10;  
B26B 1/04; B26B 1/042; B26B 1/048;  
B26B 3/08; B26B 29/06  
See application file for complete search history.

(56) **References Cited**

**U.S. PATENT DOCUMENTS**

D248,538 S \* 7/1978 Richards ..... D8/99  
4,570,342 A \* 2/1986 Baum ..... B26B 5/006  
30/162  
D288,898 S \* 3/1987 Osterhout ..... B26B 1/00  
D8/99  
D309,090 S \* 7/1990 Schmidt ..... D8/99  
D430,476 S \* 9/2000 Thompson ..... D8/45  
D540,138 S \* 4/2007 Kan ..... D8/99  
D608,948 S \* 1/2010 Wittke-Kothe ..... D28/59  
8,584,302 B2 \* 11/2013 Stroup ..... B08B 1/008  
15/245.1  
D749,929 S \* 2/2016 Stobar ..... B08B 1/008  
D8/99  
9,579,808 B2 \* 2/2017 Scimone ..... B26B 1/00

D845,106 S \* 4/2019 Bloch ..... B26B 5/003  
D8/99  
D852,019 S \* 6/2019 Thomsen ..... D8/99  
D869,930 S \* 12/2019 Parker ..... D8/99  
10,632,633 B2 \* 4/2020 Bloch ..... B26B 5/001  
D891,215 S \* 7/2020 Bloch ..... D8/99  
10,919,164 B2 \* 2/2021 Gilbertson ..... B26B 5/001  
2008/0250650 A1 \* 10/2008 Seber ..... B26B 5/001  
30/162  
2014/0373363 A1 \* 12/2014 Billado, Jr. .... B26B 1/08  
30/152  
2019/0224861 A1 \* 7/2019 Bloch ..... B26B 5/001  
2019/0351565 A1 \* 11/2019 Ronan ..... B26B 5/003  
2020/0001477 A1 \* 1/2020 Gilbertson ..... B67B 7/16  
(Continued)

*Primary Examiner* — Philip S Hyder  
(74) *Attorney, Agent, or Firm* — McCarter & English,  
LLP; James M. Smedley; Alex Korona

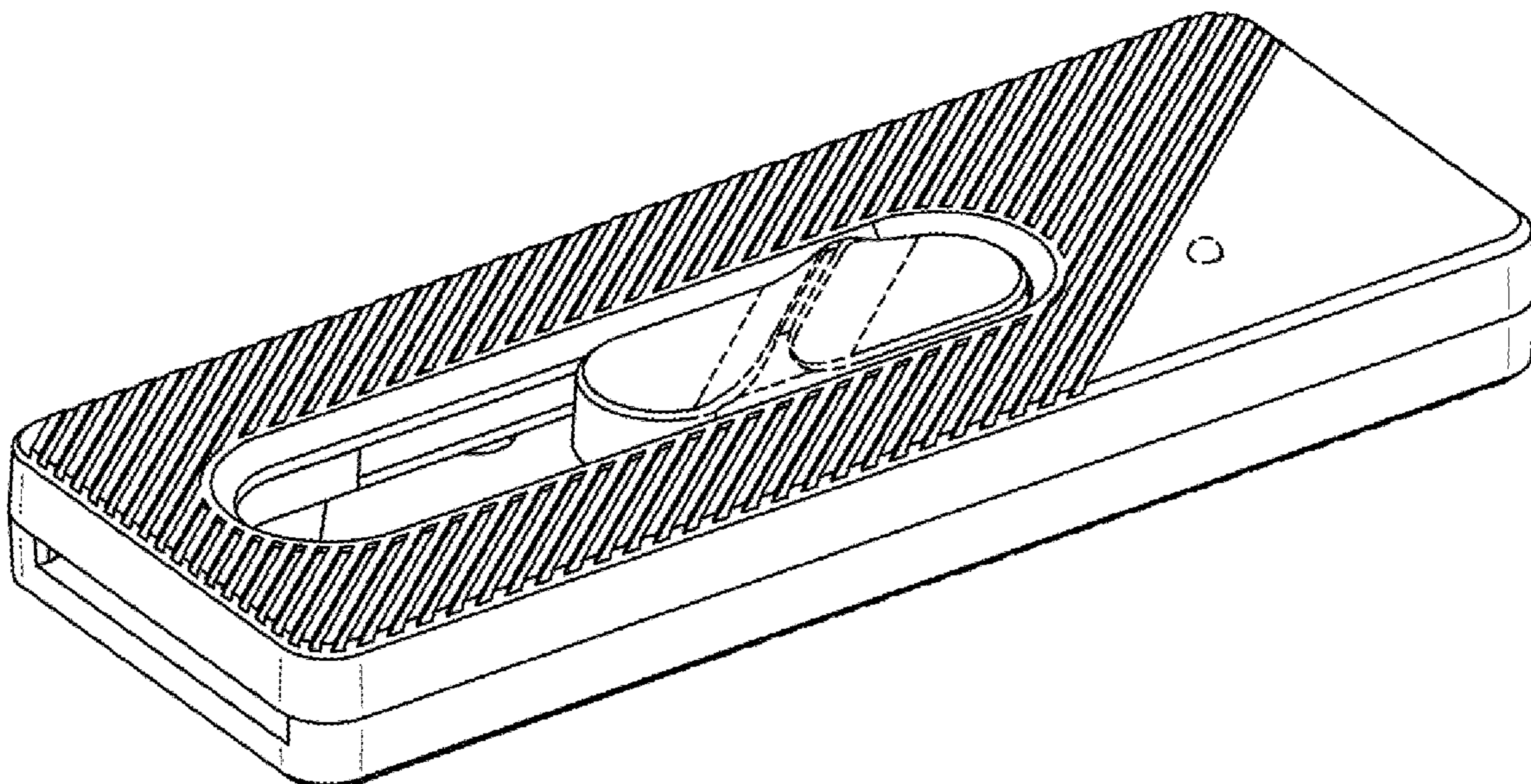
(57) **CLAIM**

I claim the ornamental design for a compact cutter, as shown and described.

**DESCRIPTION**

FIG. 1 is a top, front and right-side perspective view of a compact cutter, showing the new design;  
FIG. 2 is a top plan view thereof;  
FIG. 3 is a bottom plan view thereof;  
FIG. 4 is an inverted left side elevation view thereof;  
FIG. 5 is a right-side elevation view thereof;  
FIG. 6 is a front elevation view thereof;  
FIG. 7 is a rear elevation view thereof; and,  
FIG. 8 is a top plan view thereof; wherein the switch is in the forward position.  
The shading lines shown in the drawings represent the approximate three-dimensional contour of the design, and are not intended to indicate surface decoration.  
The broken line(s) shown in the drawings illustrate portions of the compact cutter that form no part of the claimed design.

**1 Claim, 2 Drawing Sheets**



(56)

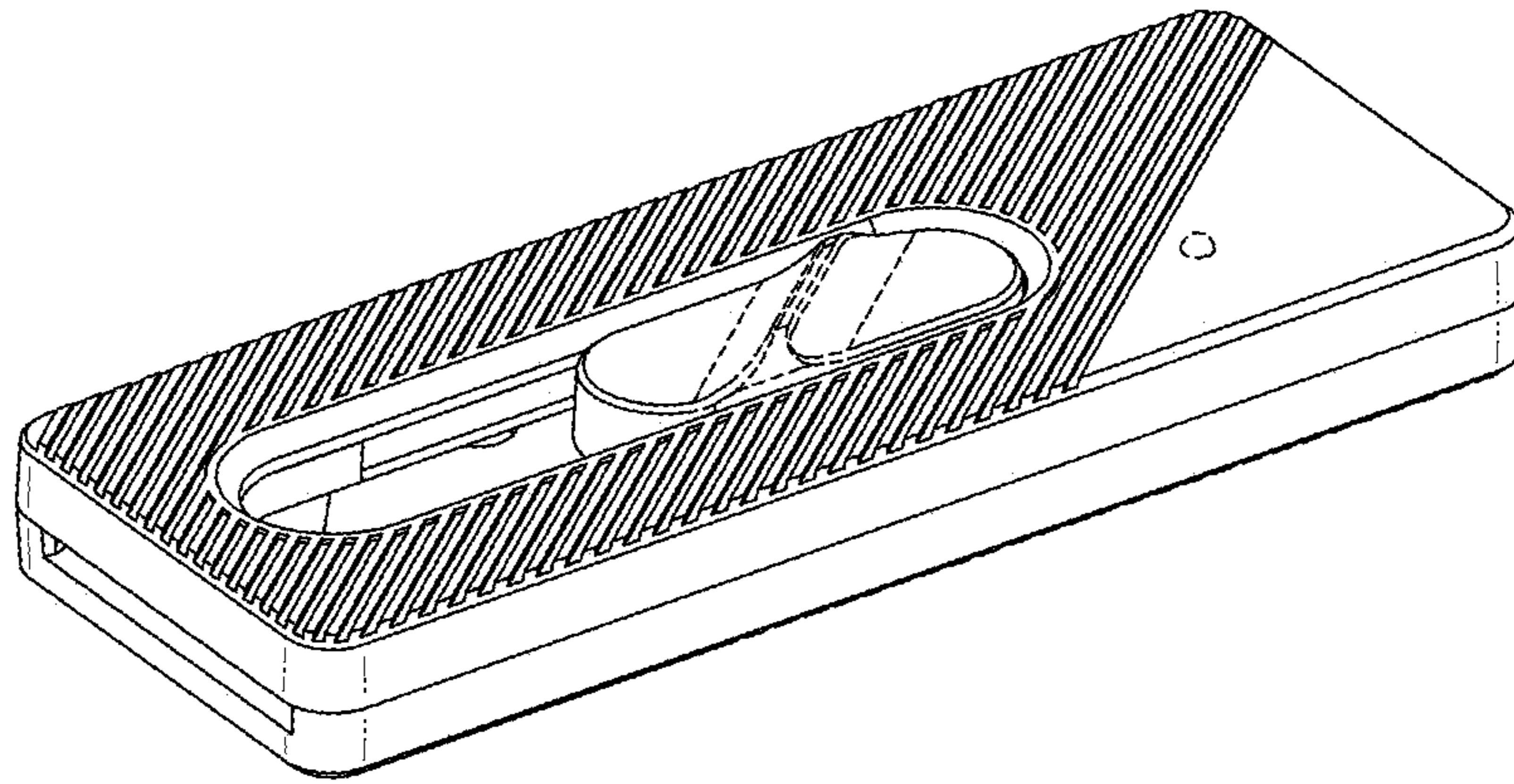
**References Cited**

U.S. PATENT DOCUMENTS

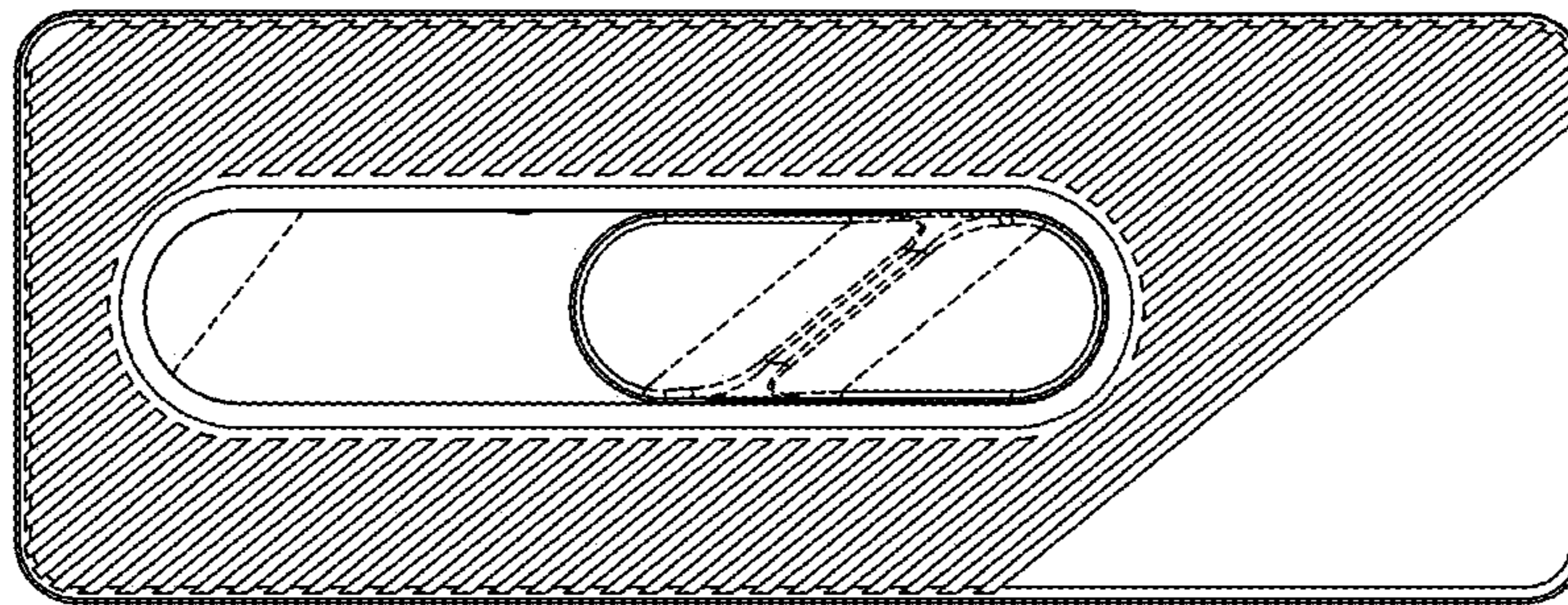
2023/0118410 A1\* 4/2023 Gallegos ..... B26B 1/08  
30/162

\* cited by examiner

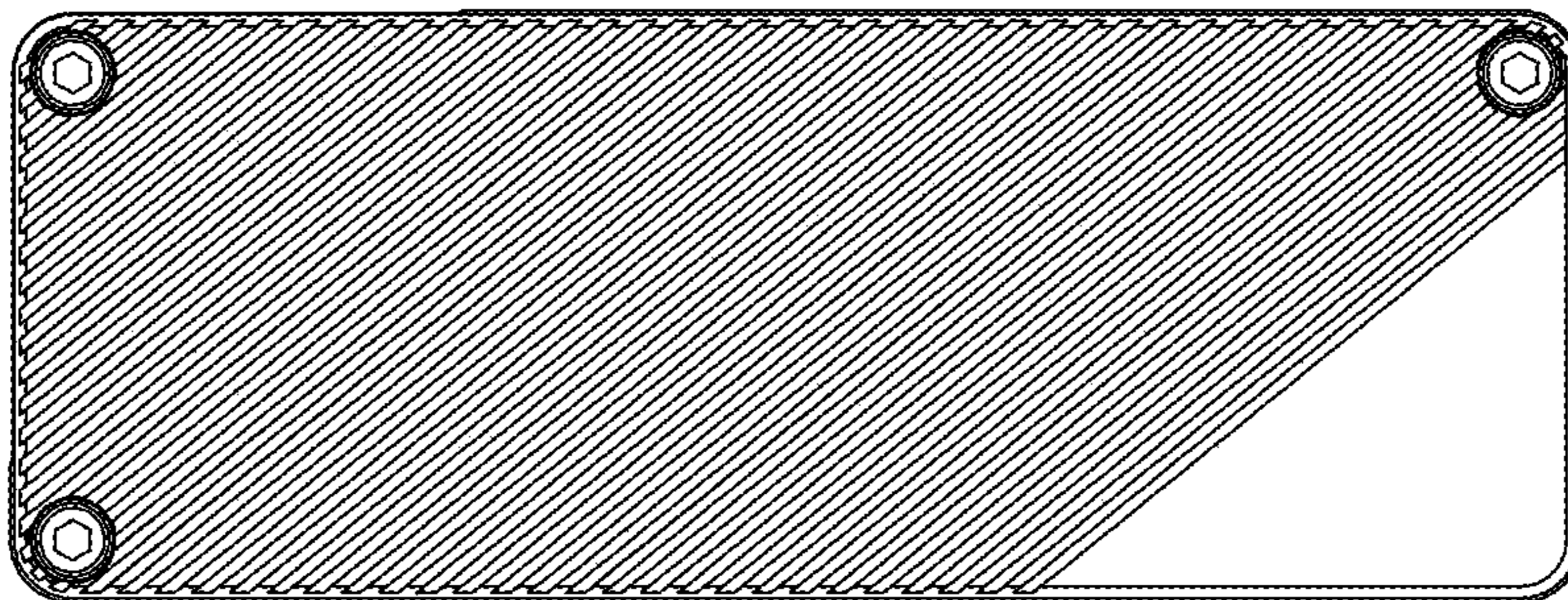




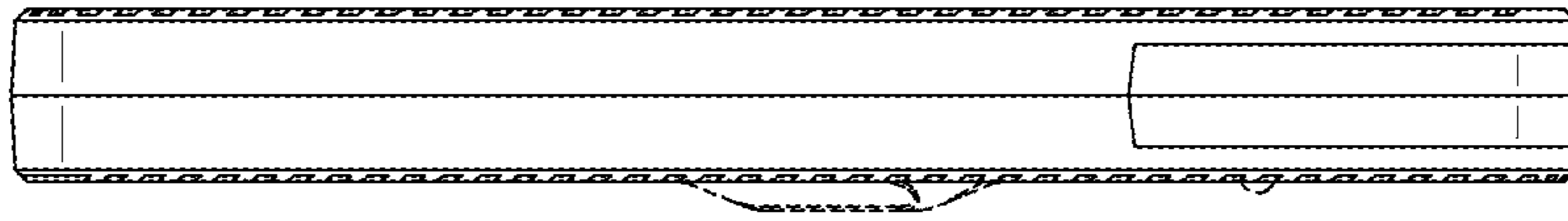
**FIG. 1**



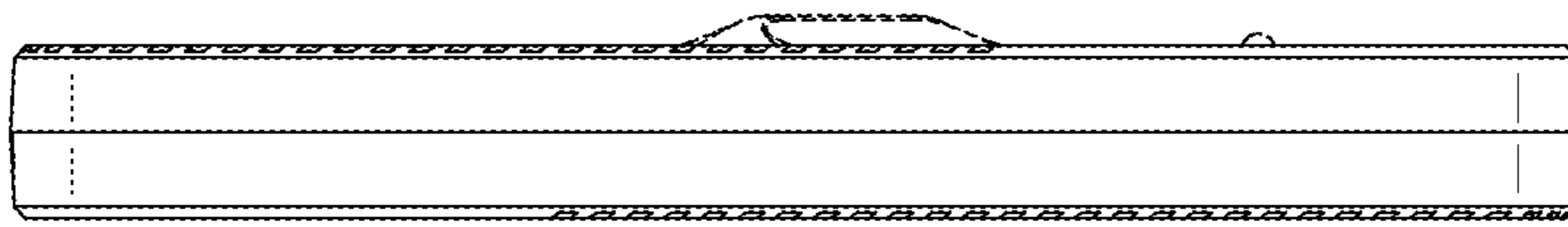
**FIG. 2**



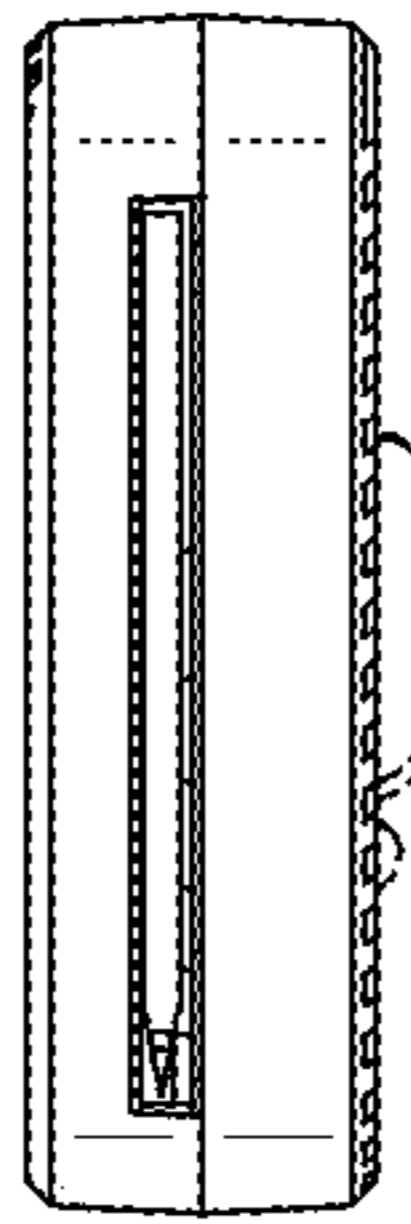
**FIG. 3**



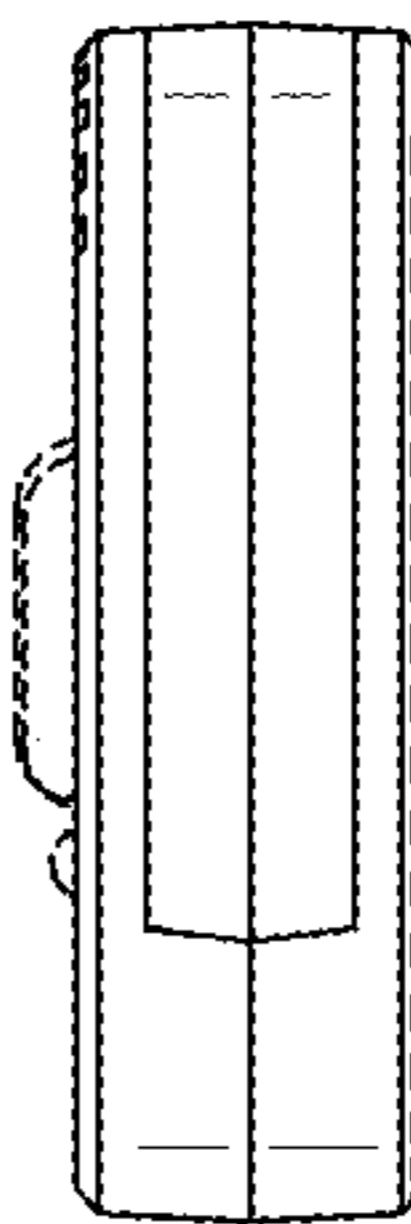
**FIG. 4**



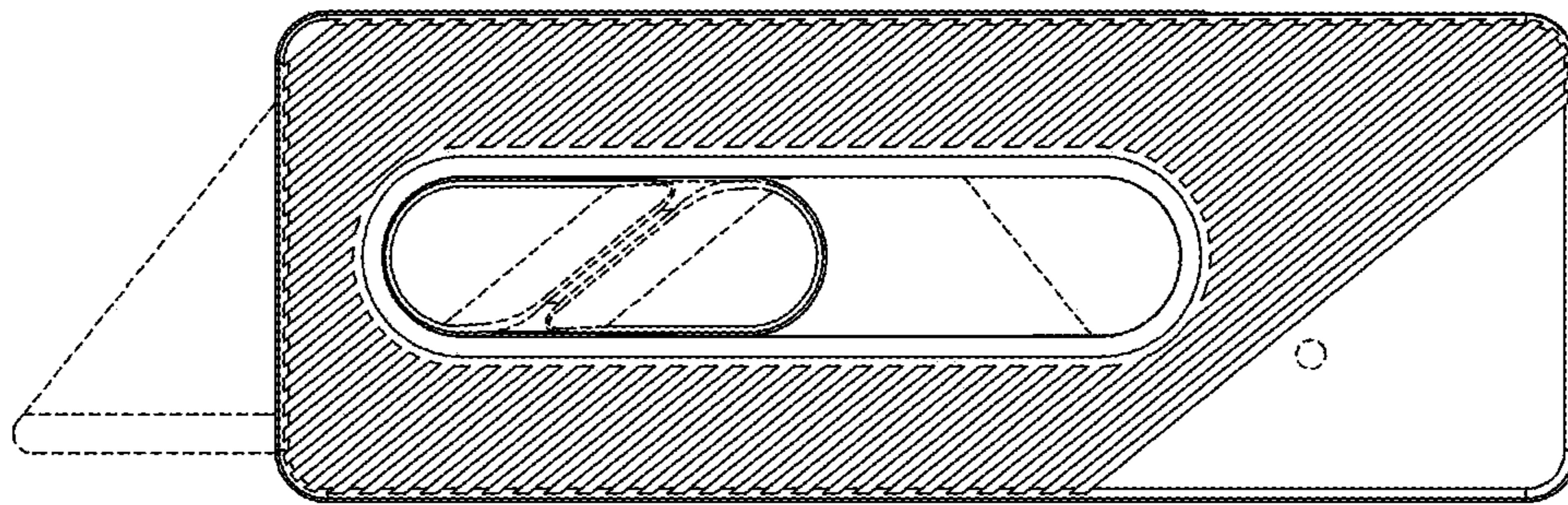
**FIG. 5**



**FIG. 6**



**FIG. 7**



**FIG. 8**