



US00D999000S

(12) **United States Design Patent**
H. Johnson, Sr.

(10) **Patent No.:** **US D999,000 S**

(45) **Date of Patent:** **** Sep. 19, 2023**

- (54) **PORTABLE CLOSET FOR SMALL SPACES**
- (71) Applicant: **Frederick H. Johnson, Sr.**, Carrollton, TX (US)
- (72) Inventor: **Frederick H. Johnson, Sr.**, Carrollton, TX (US)
- (**) Term: **15 Years**
- (21) Appl. No.: **29/740,879**
- (22) Filed: **Jul. 8, 2020**
- (51) **LOC (14) Cl.** **06-04**
- (52) **U.S. Cl.**
USPC **D6/673**
- (58) **Field of Classification Search**
USPC ... D6/641, 642, 648.1, 648.2, 648.3, 653.17, D6/654, 672, 673, 675, 675.1, 675.2, D6/675.36, 675.5, 681, 681.1, 681.2
CPC A47F 7/19; A47F 7/22; A47F 7/24; A47F 7/26; A47B 61/00; A47B 61/02; A47G 25/00; A47G 25/02; A47G 25/06; A47G 25/0664; A47G 25/0685
See application file for complete search history.

- 7,900,784 B1 * 3/2011 Weigand A47F 5/005 211/186
- D706,064 S * 6/2014 Ota D6/675.3
- D731,824 S * 6/2015 Nigro D6/672
- D802,340 S * 11/2017 Hykamp D6/675
- D809,829 S * 2/2018 Bittle D6/671.1
- 9,936,825 B1 * 4/2018 Lindblom A47F 5/0087
- 10,264,878 B1 * 4/2019 Liu A47G 25/0664
- D871,116 S * 12/2019 Li D6/675.1
- D903,369 S * 12/2020 Lien D6/552
- D909,800 S * 2/2021 Peng D6/672
- D912,444 S * 3/2021 Peng D6/672
- D915,802 S * 4/2021 Dai D6/675.1
- D916,509 S * 4/2021 Lien D6/552
- D917,919 S * 5/2021 Davis D6/552
- D946,327 S * 3/2022 Felsenthal D6/681.2
- 11,419,412 B1 * 8/2022 Chen A47B 96/1441
- D966,759 S * 10/2022 Li D6/675.1
- D973,401 S * 12/2022 Sun D6/675.1
- D975,473 S * 1/2023 Packer D6/642
- 2002/0121493 A1 * 9/2002 Wang A47F 7/19 211/195
- 2020/0205586 A1 * 7/2020 Arradondo A47F 5/0006

(Continued)

Primary Examiner — Steven J Czyz

(57) **CLAIM**

The ornamental design for a portable closet for small spaces, as shown and described.

DESCRIPTION

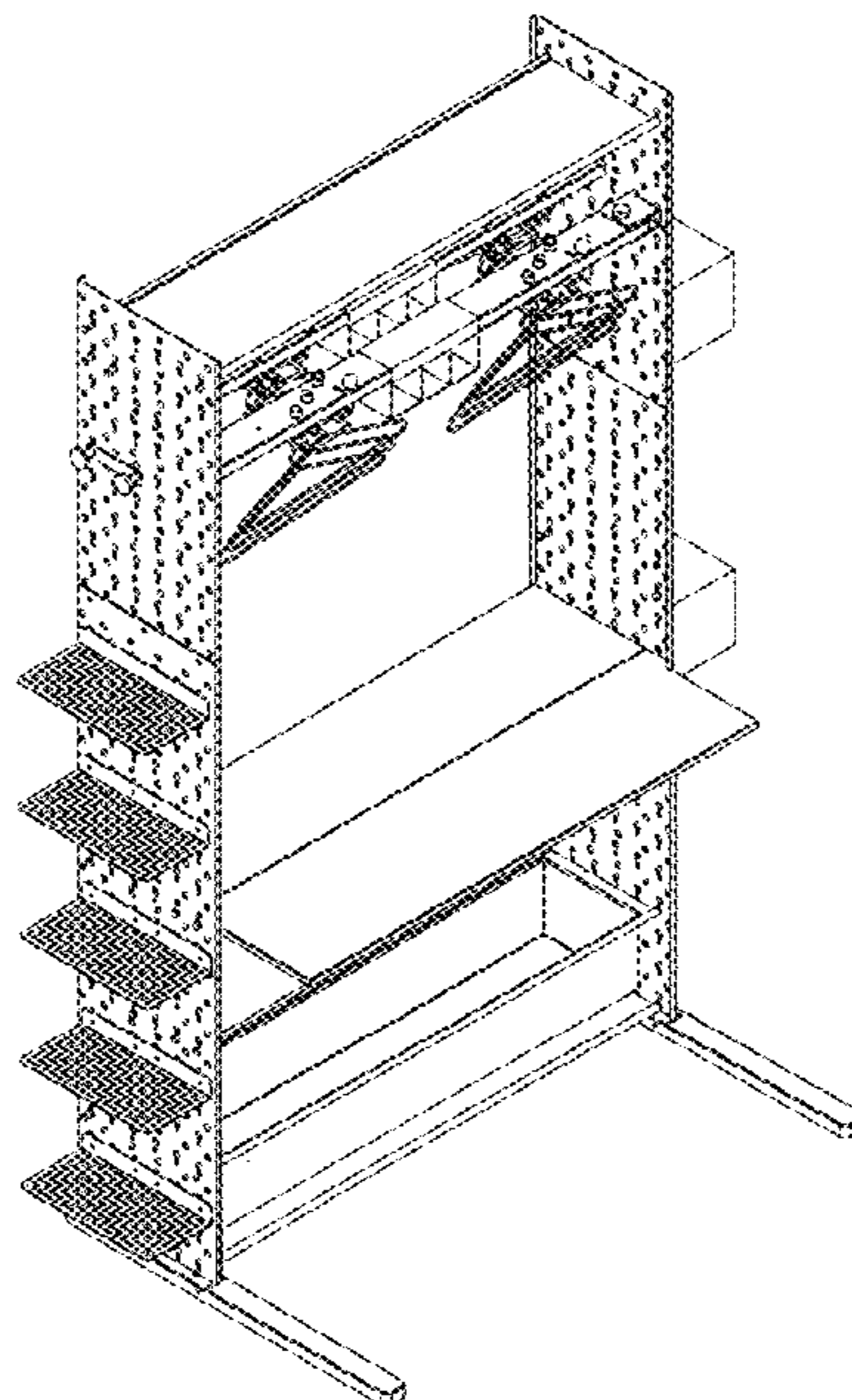
FIG. 1 is a front view of a portable closet for small spaces; FIG. 2 is a top view thereof; FIG. 3 is a left side view thereof; FIG. 4 is a right side view thereof; FIG. 5 is top right perspective view thereof; FIG. 6 is a top left perspective view thereof; FIG. 7 is a top right perspective view of the portable closet for small spaces shown with the arms extended out; and, FIG. 8 is a top left perspective view thereof.

1 Claim, 8 Drawing Sheets

(56) **References Cited**

U.S. PATENT DOCUMENTS

- 4,035,941 A * 7/1977 Deffner G09F 27/00 D6/675
- D267,682 S * 1/1983 Kates A47B 96/1441 D6/675
- D289,350 S * 4/1987 Cordero D6/664
- D400,375 S * 11/1998 Peng-Hui D6/675.1
- 6,029,833 A * 2/2000 Yeh A47F 7/19 211/187
- D435,743 S * 1/2001 Glauth D6/675.2
- D459,044 S * 6/2002 Felsenthal D34/21
- D546,013 S * 7/2007 Pong D32/58



(56)

References Cited

U.S. PATENT DOCUMENTS

2020/0288863 A1* 9/2020 Felsenthal A47B 96/1441
2022/0361672 A1* 11/2022 Chen A47B 96/04

* cited by examiner

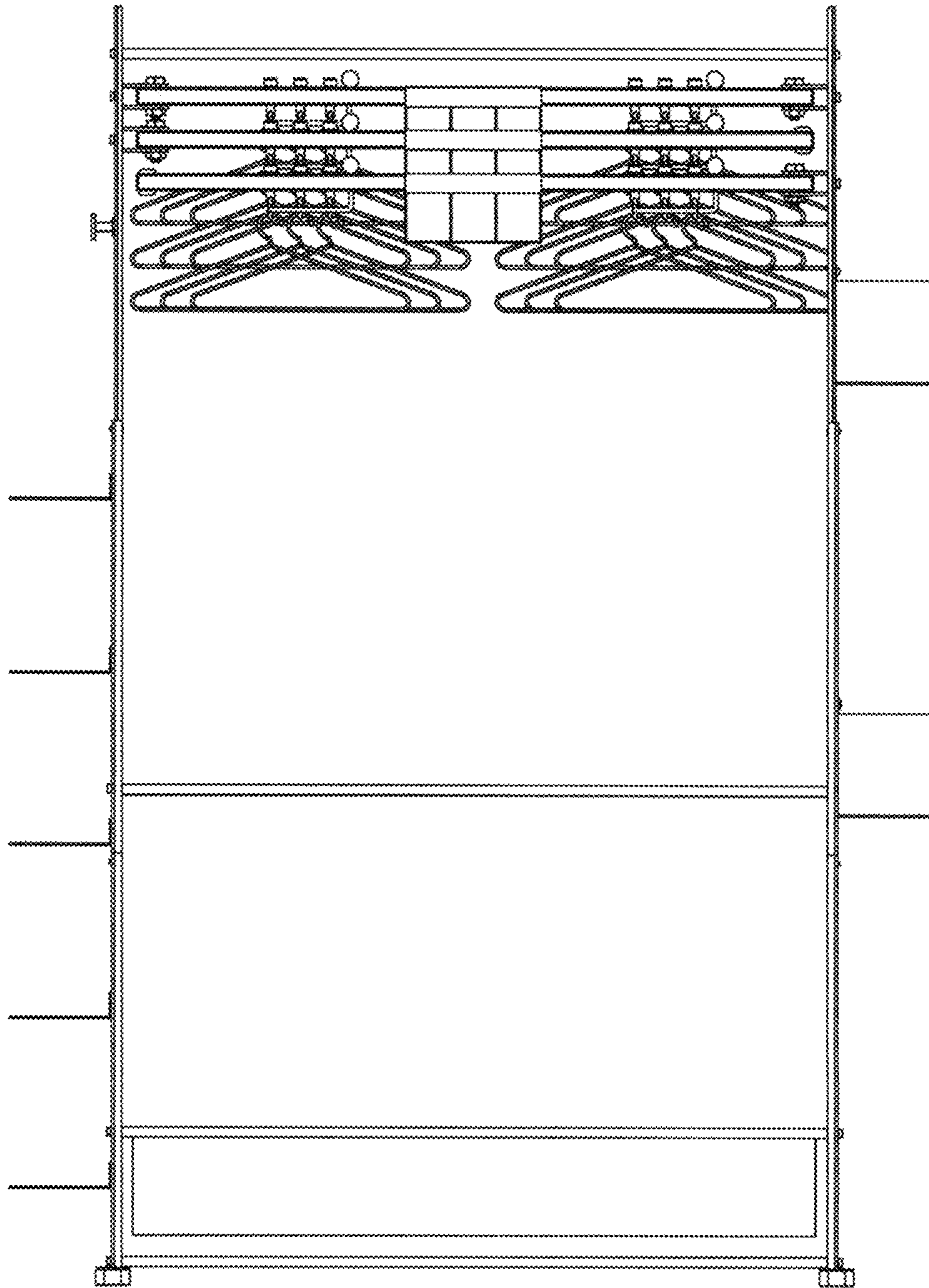


Fig. 1

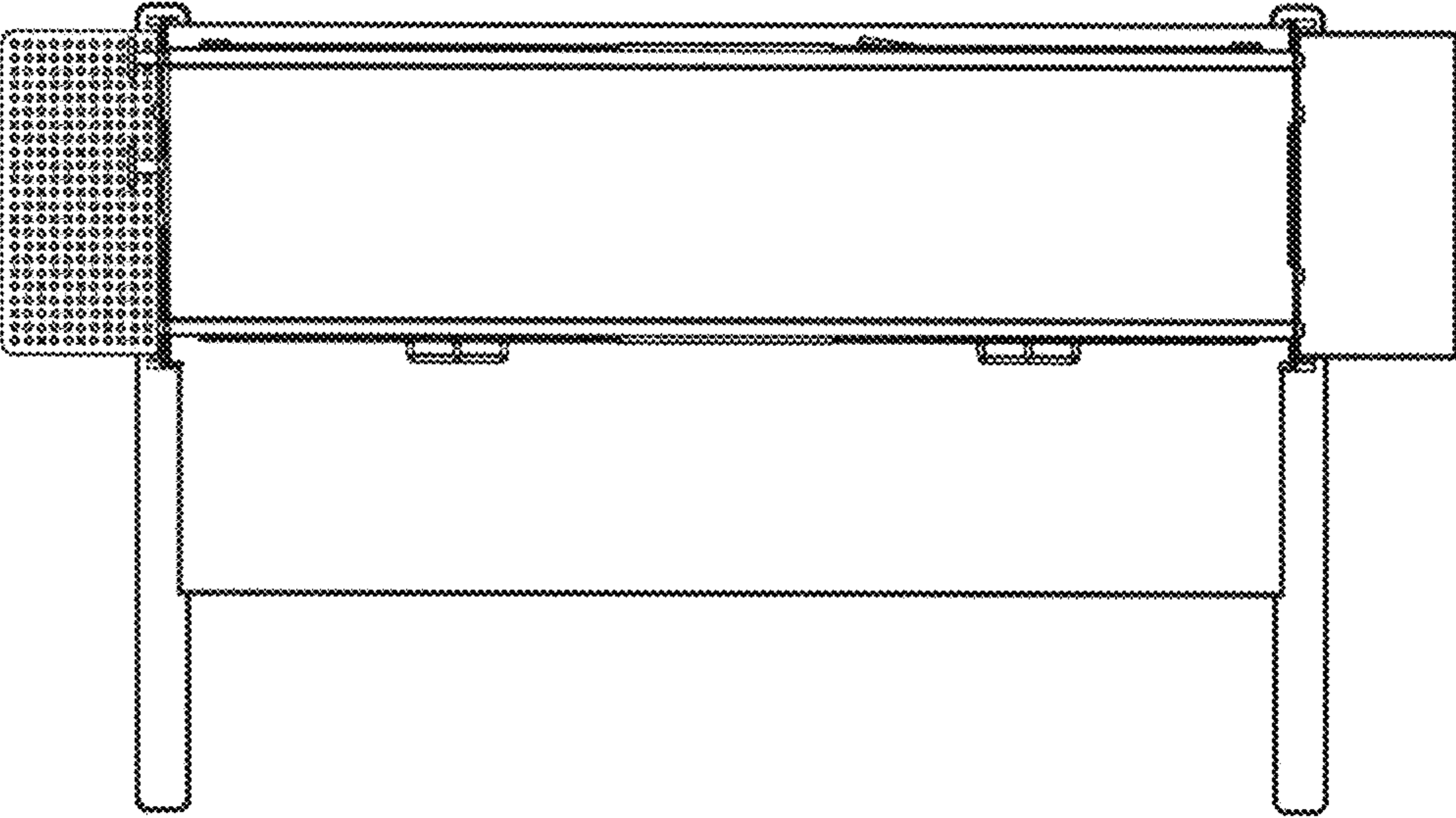


Fig. 2

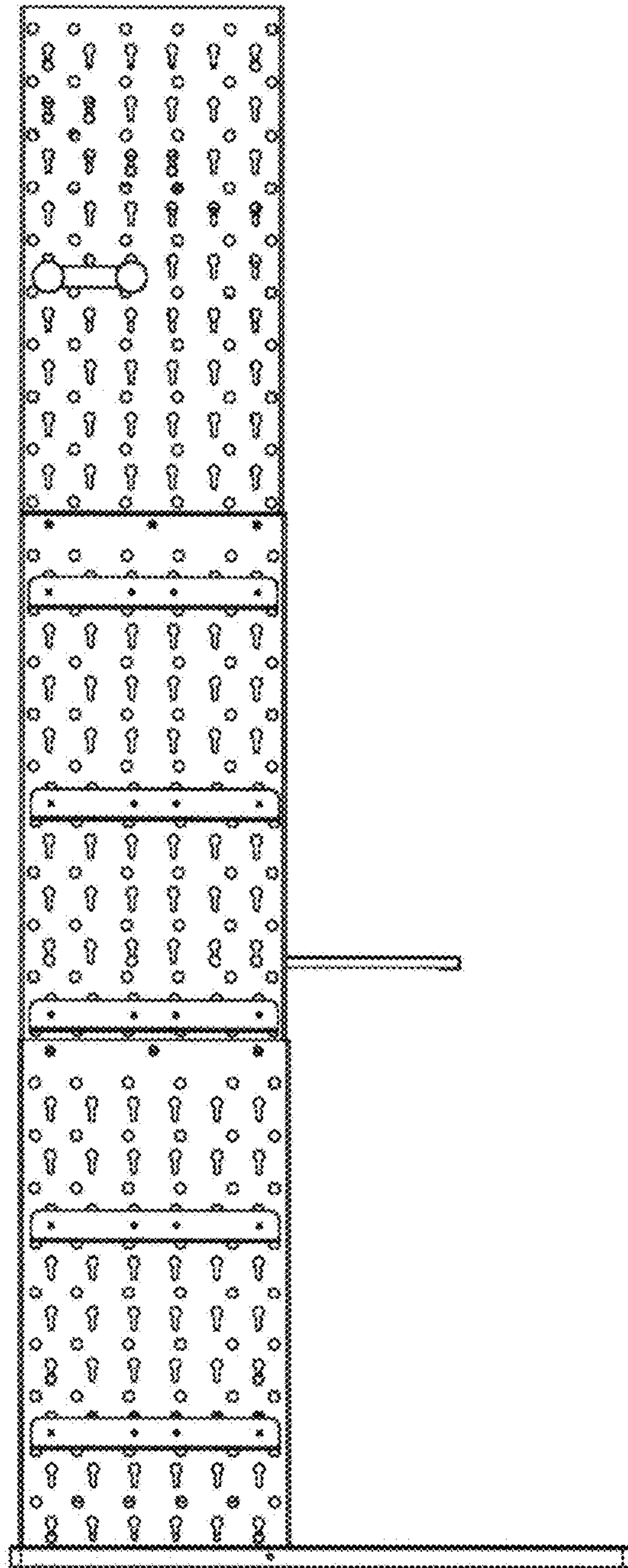


Fig. 3

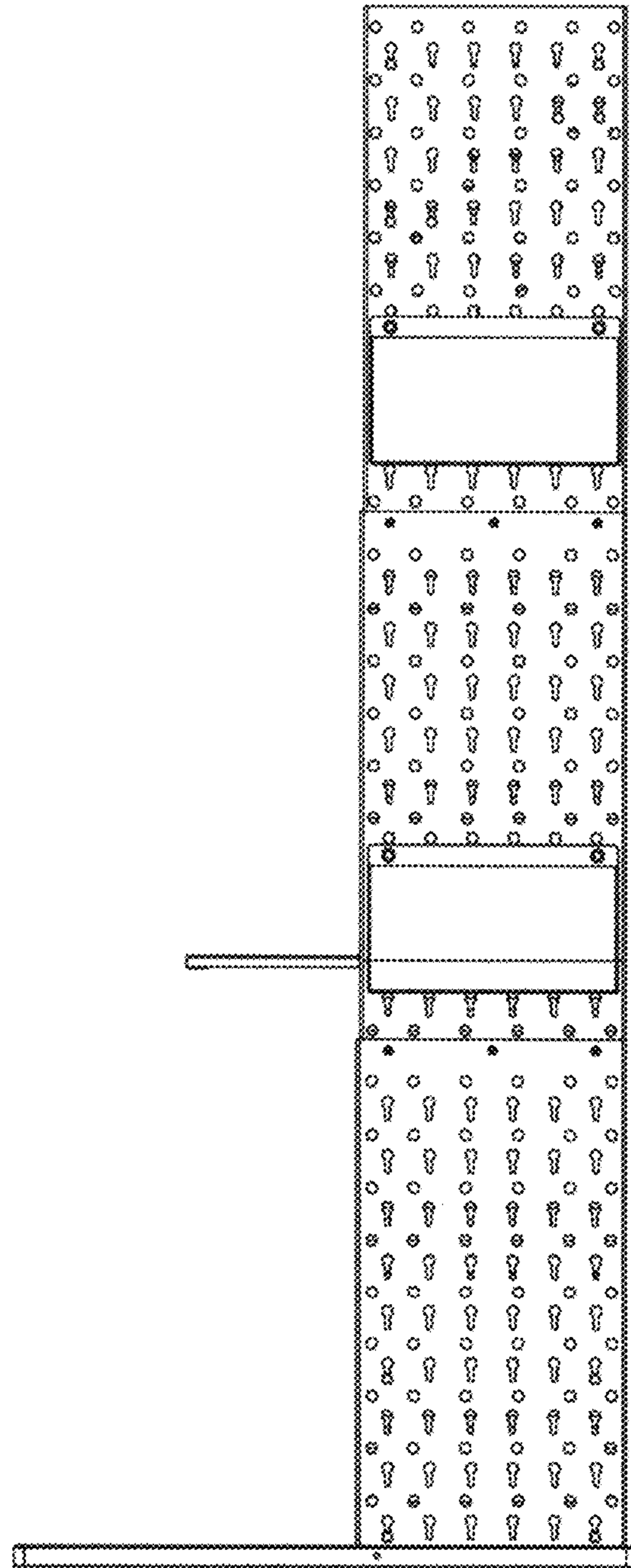


Fig. 4

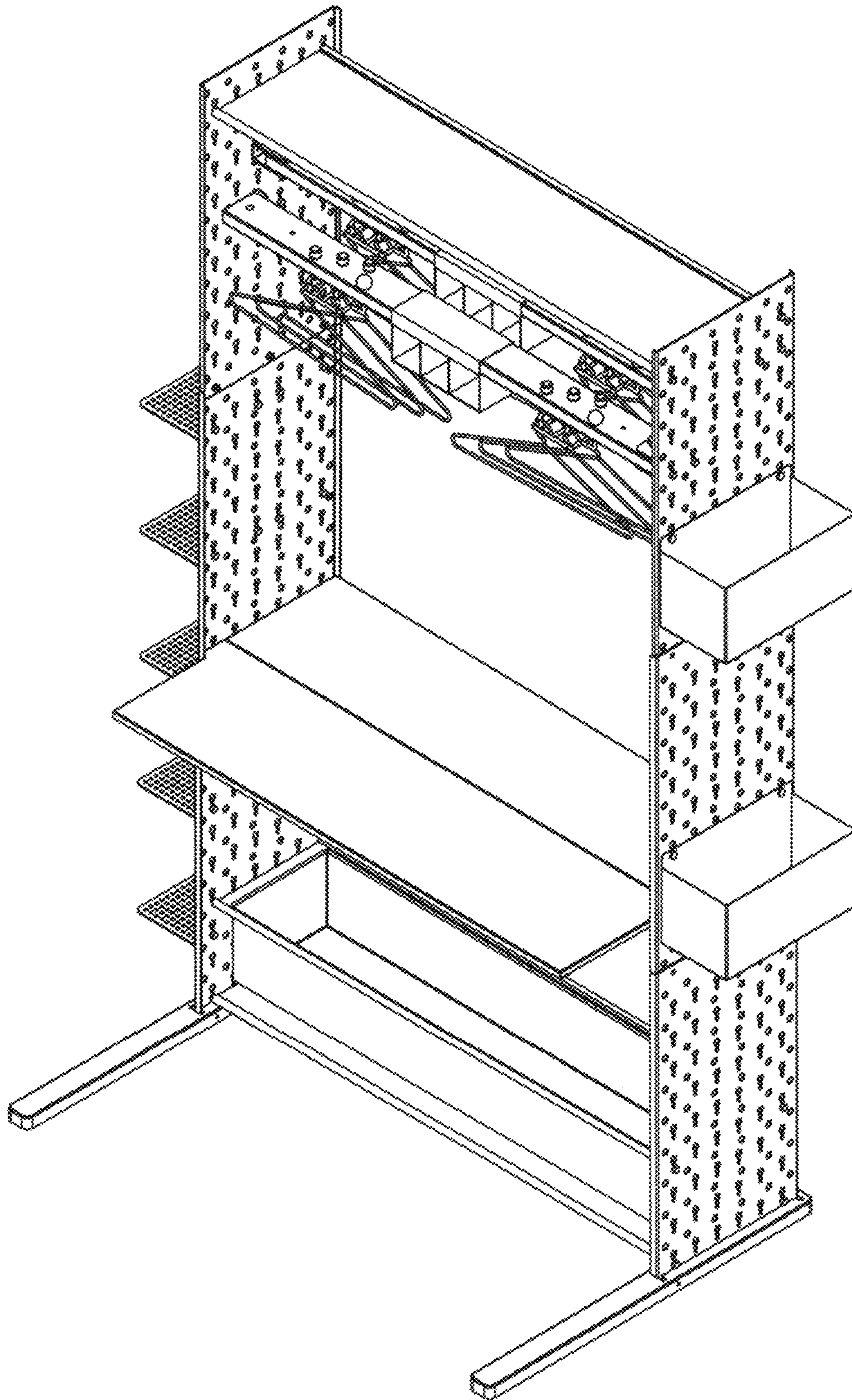


Fig. 5

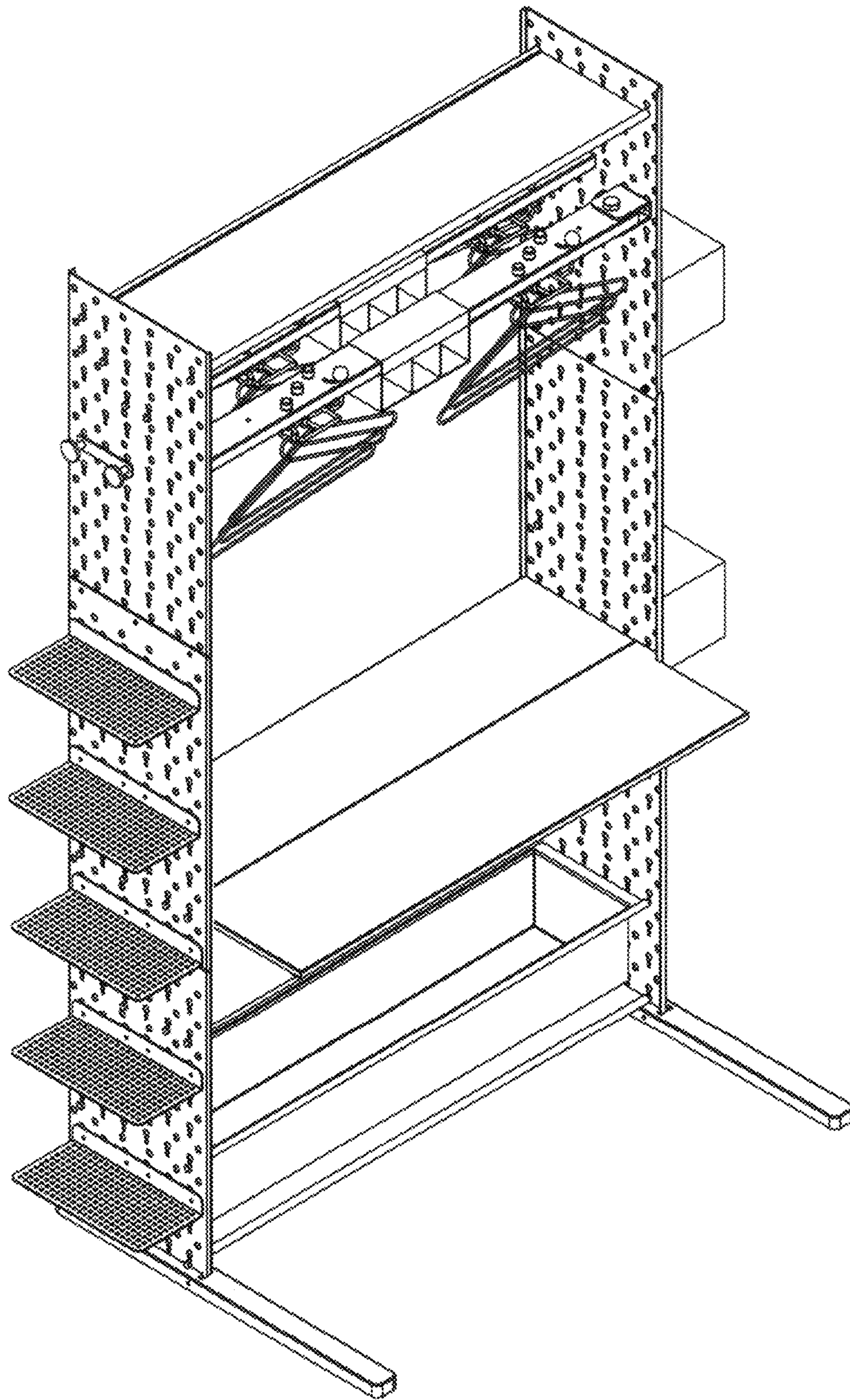


Fig. 6

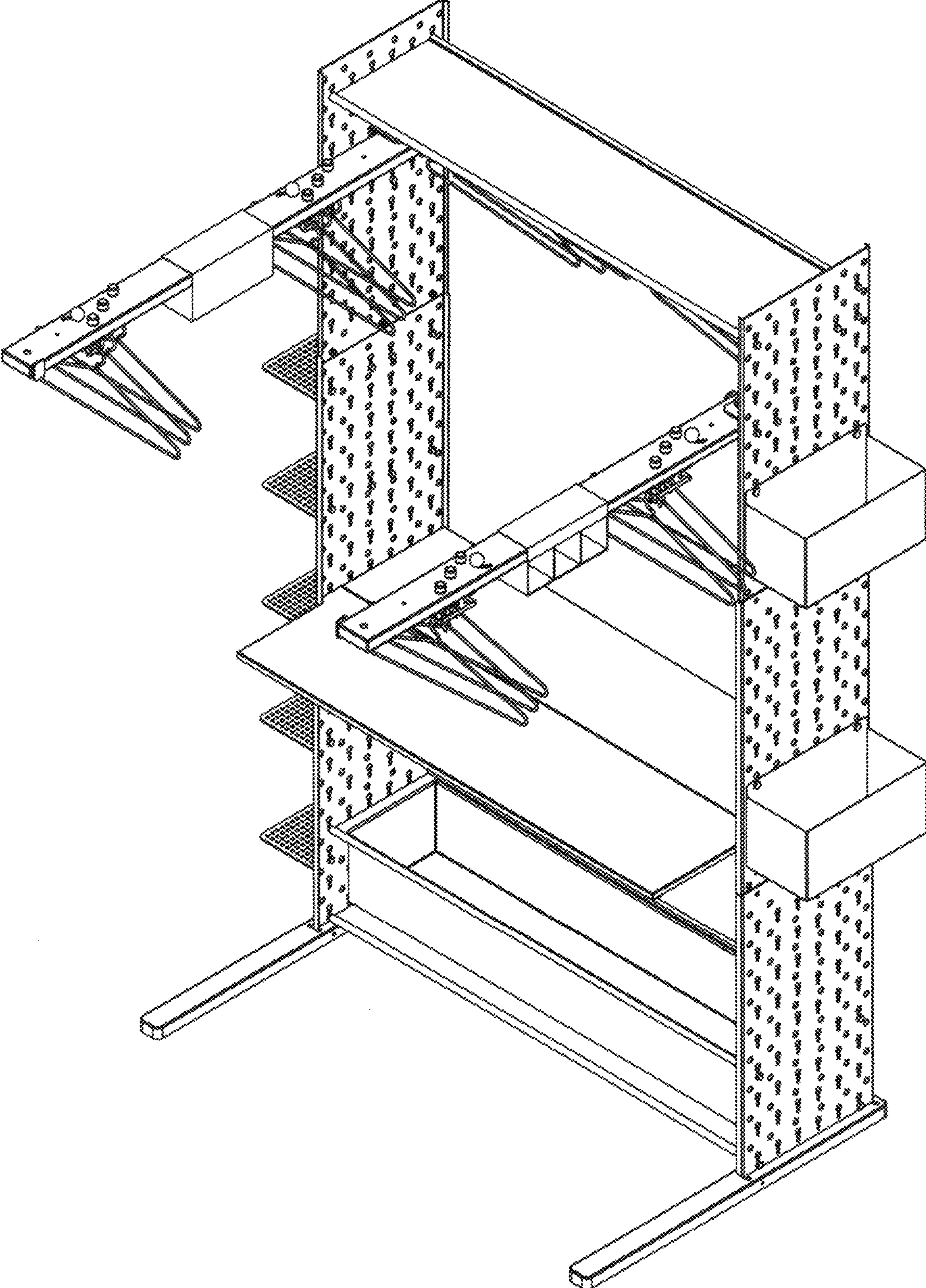


Fig. 7

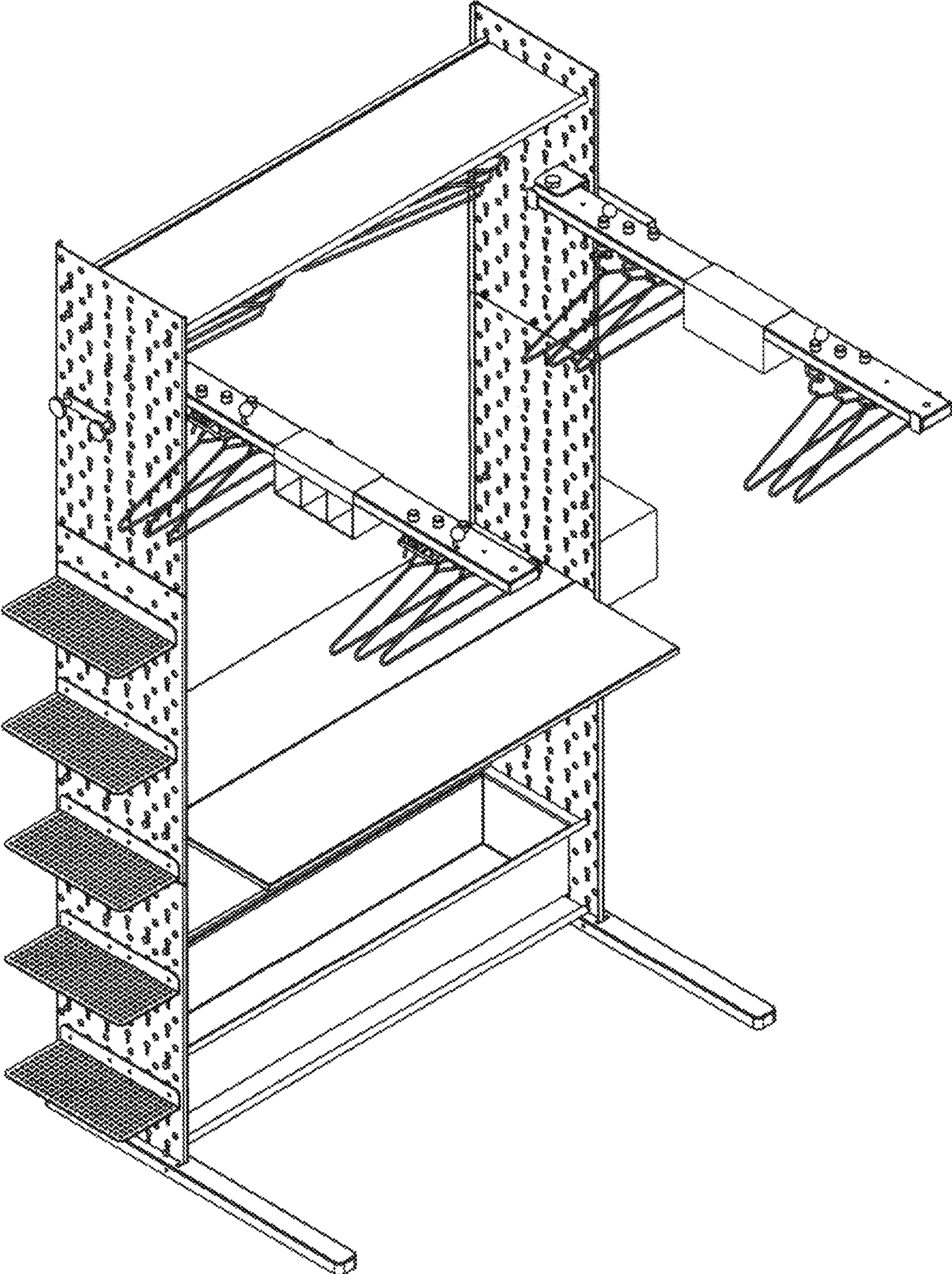


Fig. 8