



US00D998997S

(12) **United States Design Patent** (10) **Patent No.:** **US D998,997 S**
Tartal et al. (45) **Date of Patent:** **** Sep. 19, 2023**

(54) **SORTING TABLE**
(71) Applicant: **UNITED STATES POSTAL SERVICE**, Washington, DC (US)
(72) Inventors: **William A. Tartal**, Baltimore, MD (US); **Joel L. Dewnandan**, Bladensburg, MD (US); **Joram Shenhar**, Fairfax, VA (US)
(73) Assignee: **UNITED STATES POSTAL SERVICE**, Washington, DC (US)

RE33,645 E 7/1991 Coote
D325,679 S * 4/1992 O'Mealy D6/684
5,121,974 A * 6/1992 Monson A47B 21/00
312/297

(Continued)

(**) Term: **15 Years**

(21) Appl. No.: **29/740,201**

(22) Filed: **Jul. 1, 2020**

(51) **LOC (14) Cl.** **06-03**

(52) **U.S. Cl.**
USPC **D6/654.1**

(58) **Field of Classification Search**
USPC D6/648-656, 690-694
CPC A47B 17/006; A47B 17/66; A47B 17/02;
A47B 17/04; A47B 13/003; A47B 88/00;
A47B 2210/19; A47B 88/90; A47B 1/08;
A47B 13/00; A47B 13/02; A47B
2003/008; A47B 83/045; A47B 83/04
See application file for complete search history.

(56) **References Cited**

U.S. PATENT DOCUMENTS

D27,709 S * 9/1897 Deal D6/653.1
1,905,396 A * 4/1933 Michelet A47B 17/036
312/316
2,889,055 A 6/1959 Weller et al.
D216,203 S * 12/1969 Hess D6/653.1
D216,204 S * 12/1969 Hess D6/653.14
3,748,010 A * 7/1973 Garte A47B 77/10
D6/664
D296,633 S * 7/1988 De Prins D6/661

OTHER PUBLICATIONS

Mail Sorter Workstation by Uline, first available: Unknown. Uline.com [online], [site visited Apr. 29, 2022], Internet URL: https://www.uline.com/Product/Detail/H-7149/Mailroom/Mail-Sorter-Workstation-50-Slots (Year: 2022).*

(Continued)

Primary Examiner — Mary Ann Calabrese
Assistant Examiner — Hillary Catherine Shepard
(74) *Attorney, Agent, or Firm* — MH2 Technology Law Group, LLP

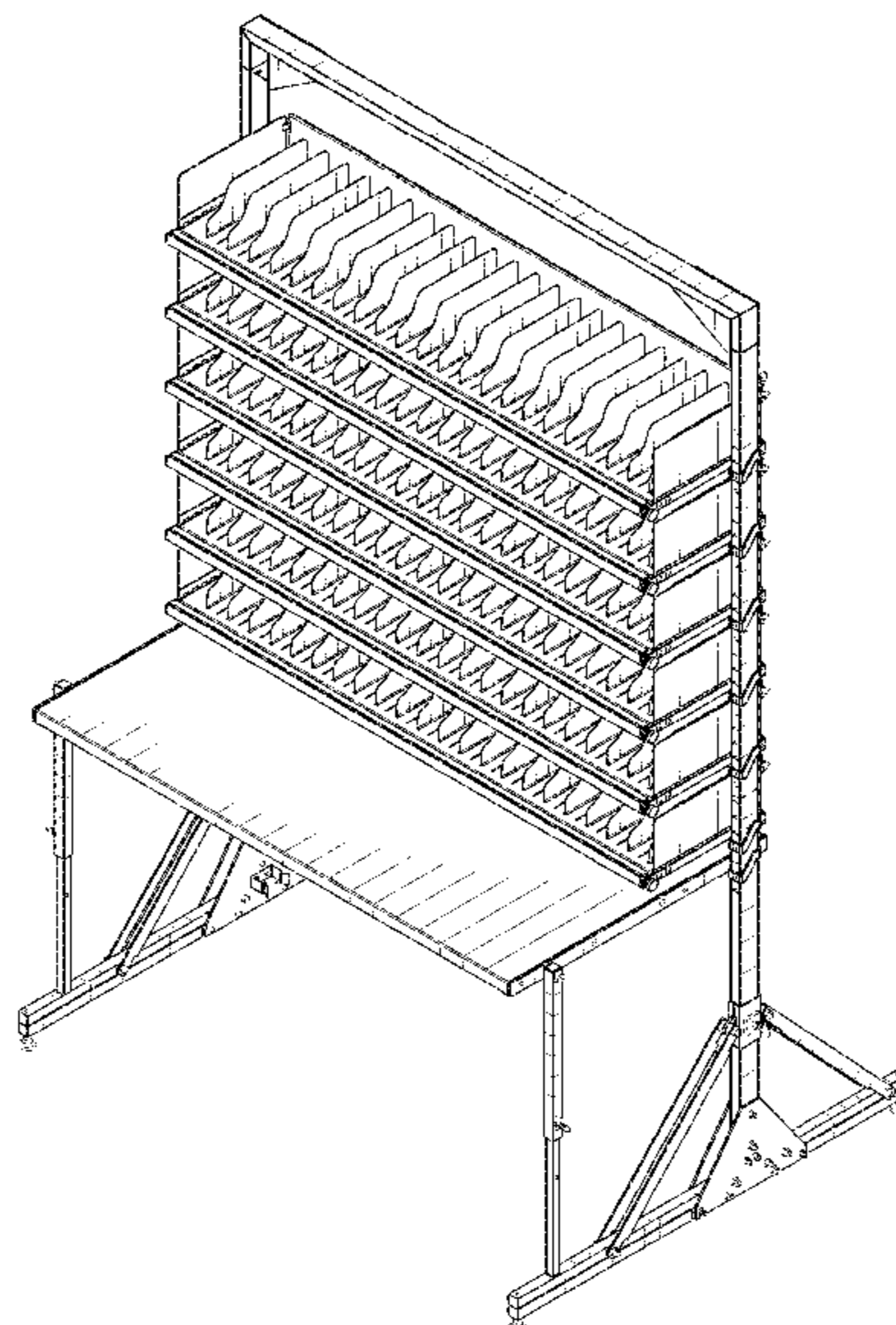
(57) **CLAIM**

The ornamental design for a sorting table, as shown and described.

DESCRIPTION

FIG. 1 is a front, right, top perspective view of a sorting table, according to the ornamental design;
FIG. 2 is a front view of the sorting table according to the ornamental design;
FIG. 3 is a rear view of the sorting table according to the ornamental design;
FIG. 4 is a left side view of the sorting table according to the ornamental design;
FIG. 5 is a right side view of the sorting table according to the ornamental design;
FIG. 6 is a top view of the sorting table according to the ornamental design; and,
FIG. 7 is a bottom view of the sorting table according to the ornamental design.
The broken lines are included for the purpose of showing portions of the article that form no part of the claimed design.

1 Claim, 7 Drawing Sheets



(56)

References Cited

U.S. PATENT DOCUMENTS

5,345,882 A * 9/1994 Yamada A47B 13/003
 108/193
 D372,138 S * 7/1996 Pasquale D6/662.1
 D376,705 S * 12/1996 Stoddard D6/654.21
 5,644,993 A 7/1997 Dohnalik
 D394,760 S * 6/1998 Tilley D6/651.2
 D405,625 S * 2/1999 Zaidman D6/651.2
 D415,365 S * 10/1999 Nicklas D6/684
 6,138,583 A * 10/2000 Mahone A47B 57/42
 211/187
 D455,913 S * 4/2002 Shamie D6/662.1
 D466,717 S * 12/2002 Cho D6/684
 D469,979 S * 2/2003 Wang D6/653.14
 6,540,093 B1 4/2003 Shumway
 6,659,294 B1 12/2003 Simard
 6,692,091 B2 2/2004 Mulaw
 7,341,006 B2 3/2008 Hernandez
 7,604,027 B2 10/2009 Thatcher
 D616,230 S * 5/2010 Leeds D6/703.4
 D643,229 S * 8/2011 Rosenfeld D6/684
 8,015,928 B2 9/2011 Chen
 D673,391 S * 1/2013 Whitehead D6/682.4
 9,215,924 B2 * 12/2015 Seefeldt A47B 37/00
 9,364,078 B1 6/2016 Lai et al.
 9,532,647 B2 * 1/2017 Bedard A47B 83/04
 D799,246 S * 10/2017 Carlburg D6/675
 D799,252 S * 10/2017 Coretti, Jr. D6/705
 10,021,972 B1 * 7/2018 Robinson A47B 57/30
 10,213,015 B1 2/2019 Anderson et al.
 D923,377 S * 6/2021 Mohan D6/698
 11,229,284 B1 1/2022 Trubacek et al.

2002/0084234 A1* 7/2002 Chang A47B 63/00
 211/189
 2003/0024444 A1 2/2003 Welch et al.
 2005/0274300 A1 12/2005 Chen
 2007/0256611 A1 11/2007 Huang
 2008/0017083 A1 1/2008 VanNimwegen et al.
 2009/0194007 A1 8/2009 Pearson
 2009/0283021 A1 11/2009 Wong
 2014/0331901 A1* 11/2014 Seefeldt A47B 13/02
 108/50.02
 2015/0257527 A1 9/2015 Lai et al.
 2016/0135589 A1 5/2016 Leng
 2016/0309888 A1 10/2016 Krusin et al.
 2022/0000256 A1* 1/2022 Tartal A47B 83/04
 2022/0095787 A1 3/2022 Leng

OTHER PUBLICATIONS

Huron 8 Compartment Steel File Organizer by Staples, first available: May 9, 2020. Staples.com [online], [site visited Apr. 29, 2022], Internet URL: https://www.staples.com/huron-8-compartment-steel-file-organizer-black-hasz0146/product_24431902 (Year: 2020).*

E-Z Sort Mailroom Furniture by biz2bisonline, first available: Unknown. Biz2bisonline.com [online], [site visited Apr. 29, 2022], Internet URL: https://www.biz2bisonline.com/safco/e-z_sort_mailroom_furniture.htm (Year: 2022).*

Office Action issued in U.S. Appl. No. 17/362,236 dated Apr. 19, 2022, 7 pages.

Notice of Allowance issued in U.S. Appl. No. 17/362,236 dated Aug. 12, 2022, 15 pages.

* cited by examiner

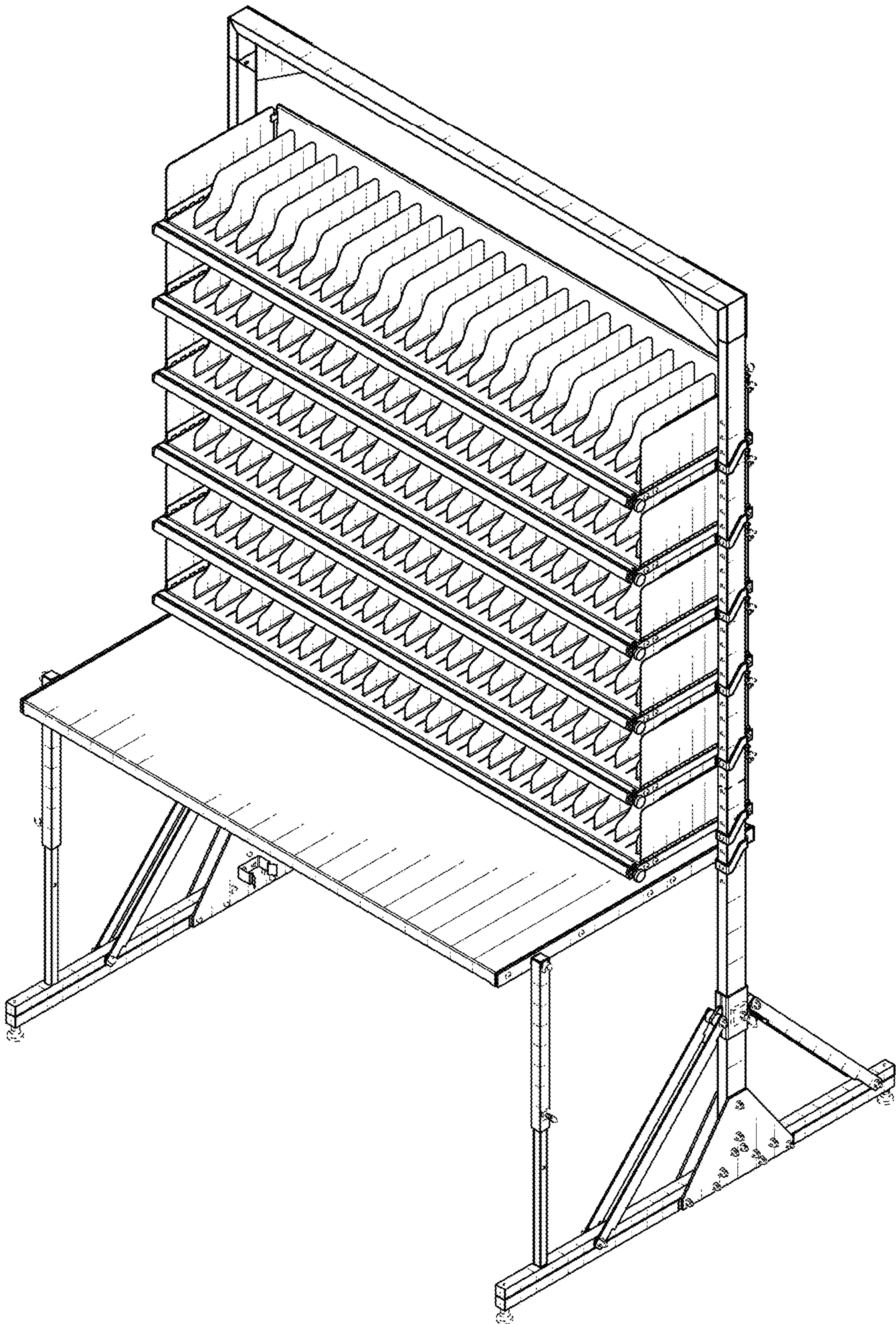


FIG. 1

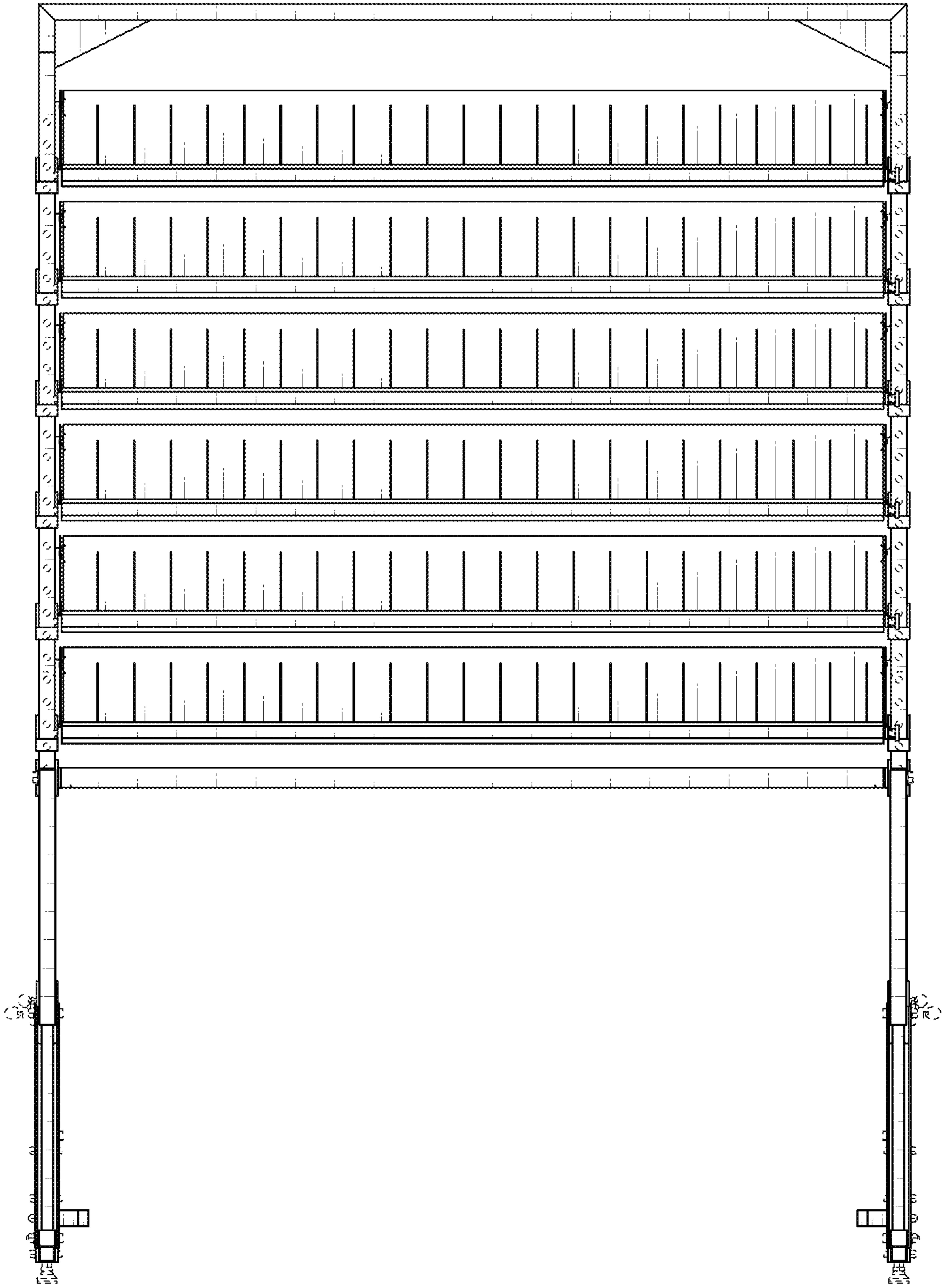


FIG. 2

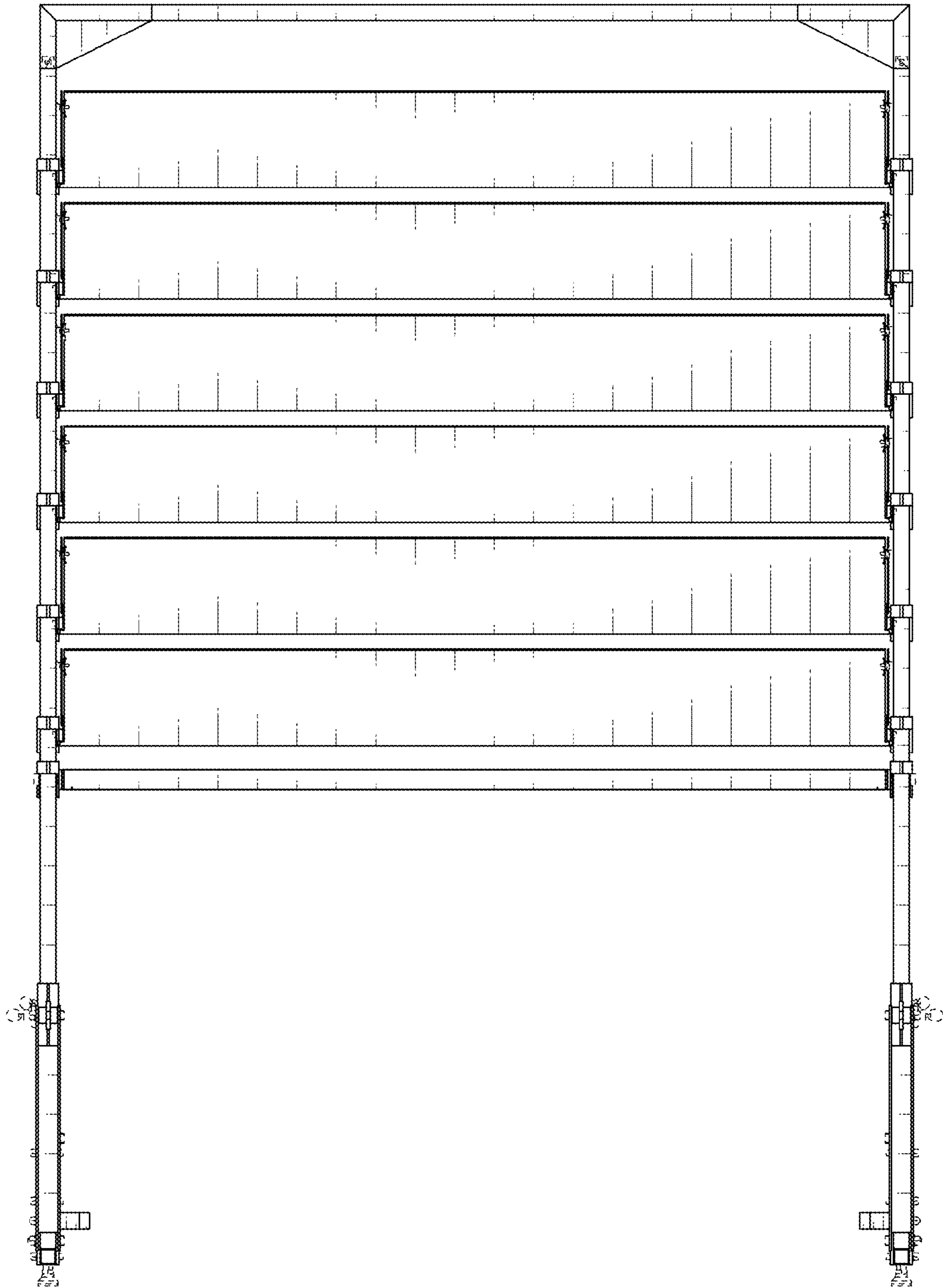


FIG. 3

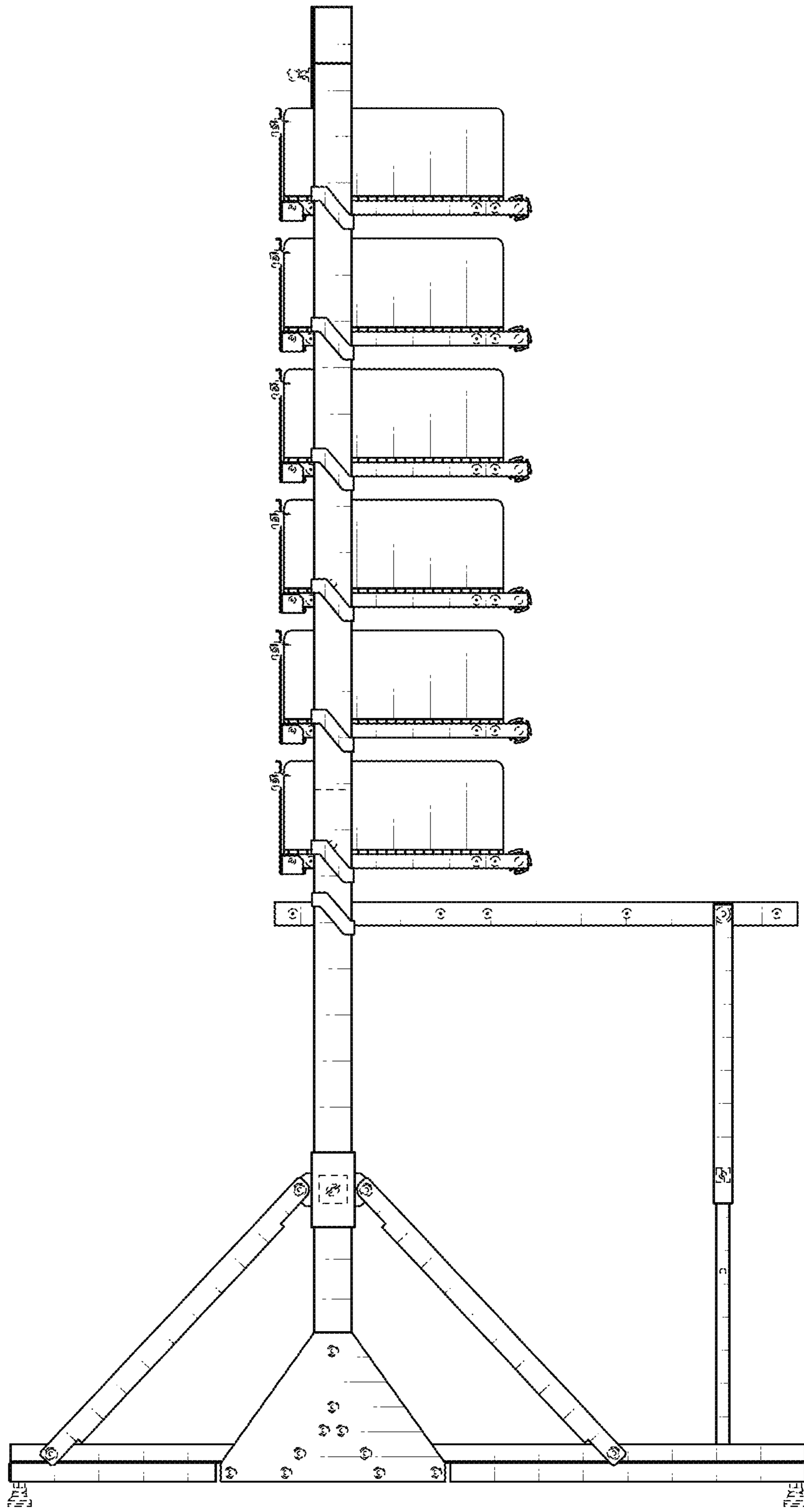


FIG. 4

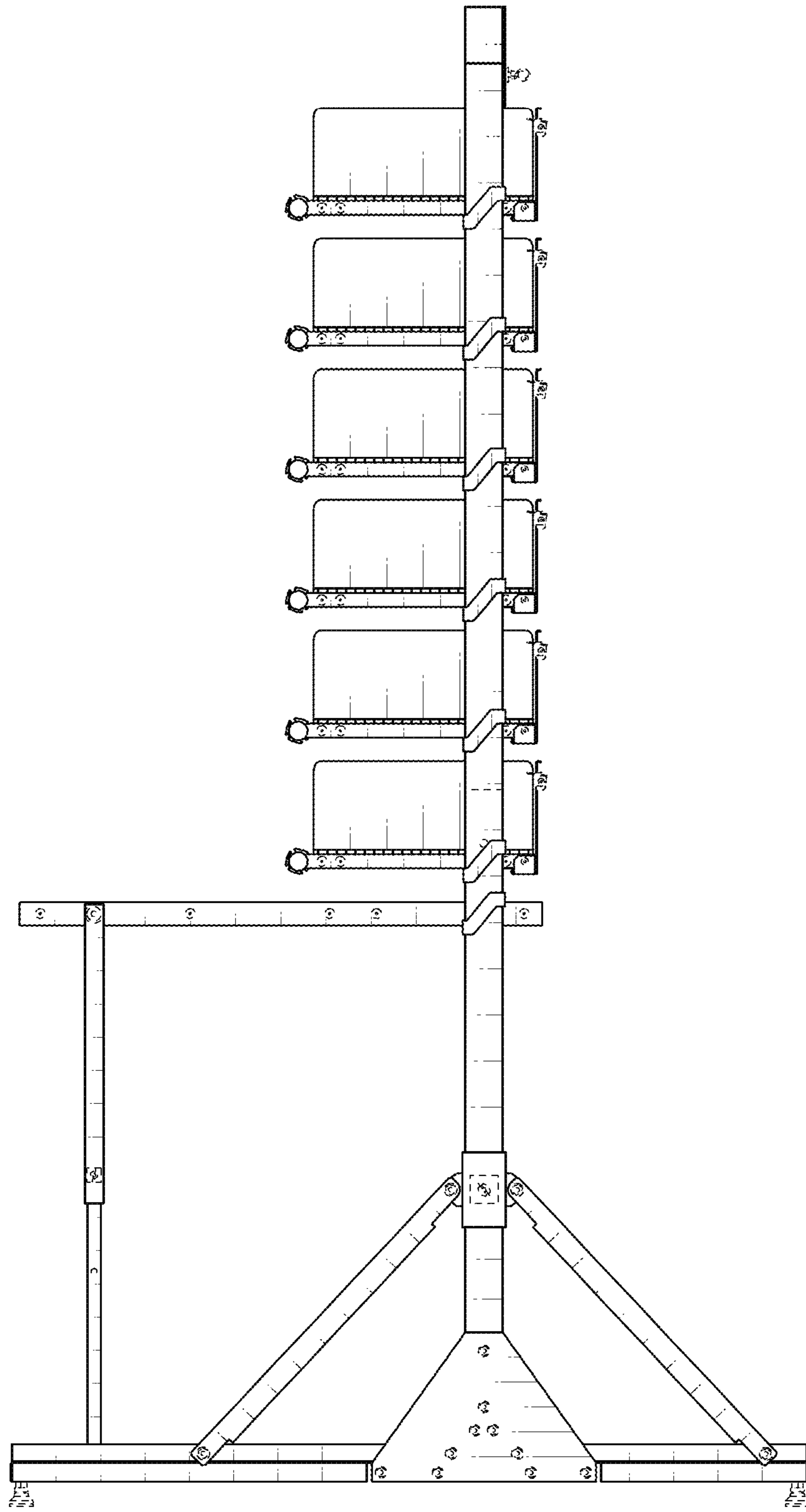


FIG. 5

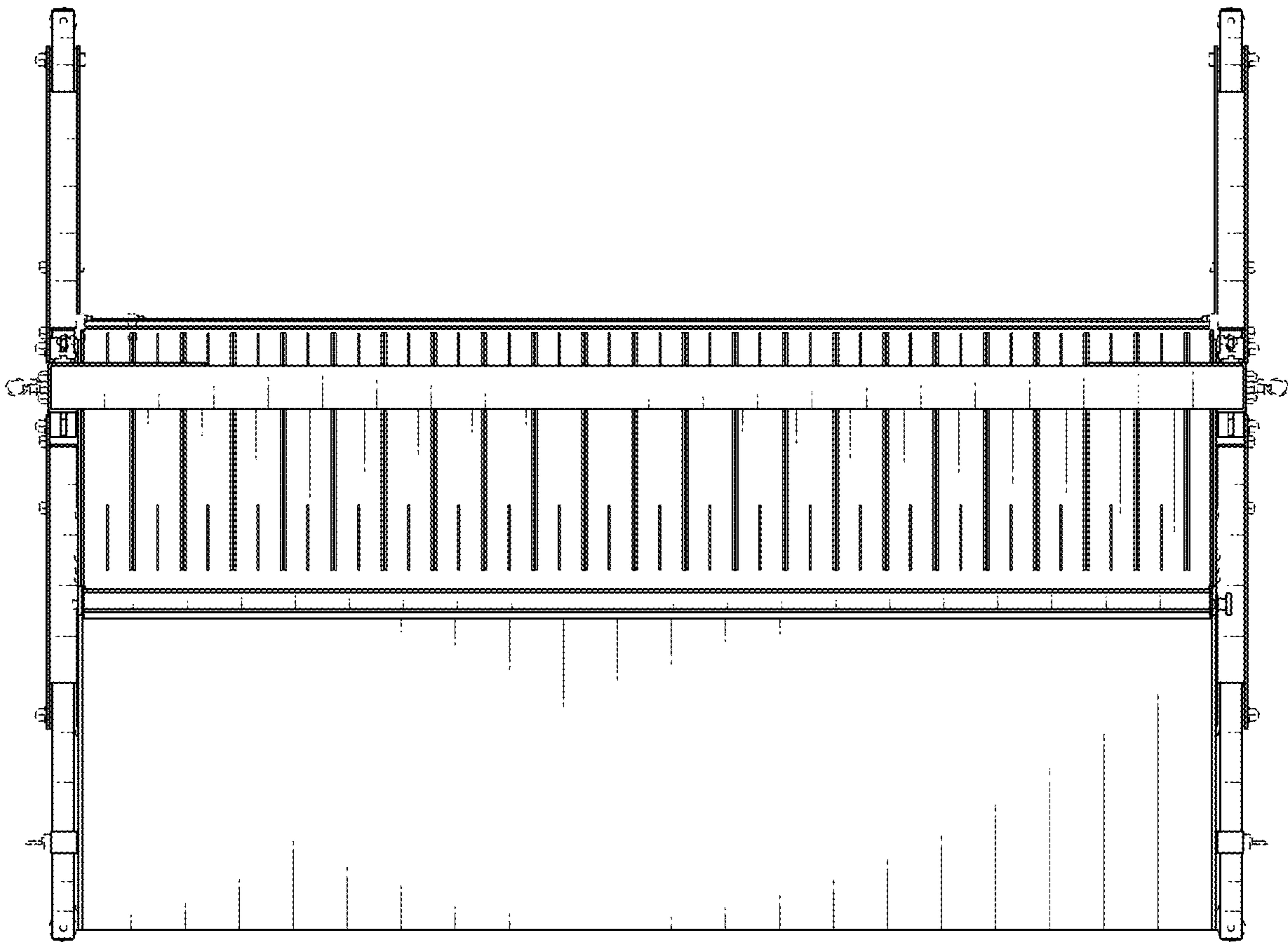


FIG. 6

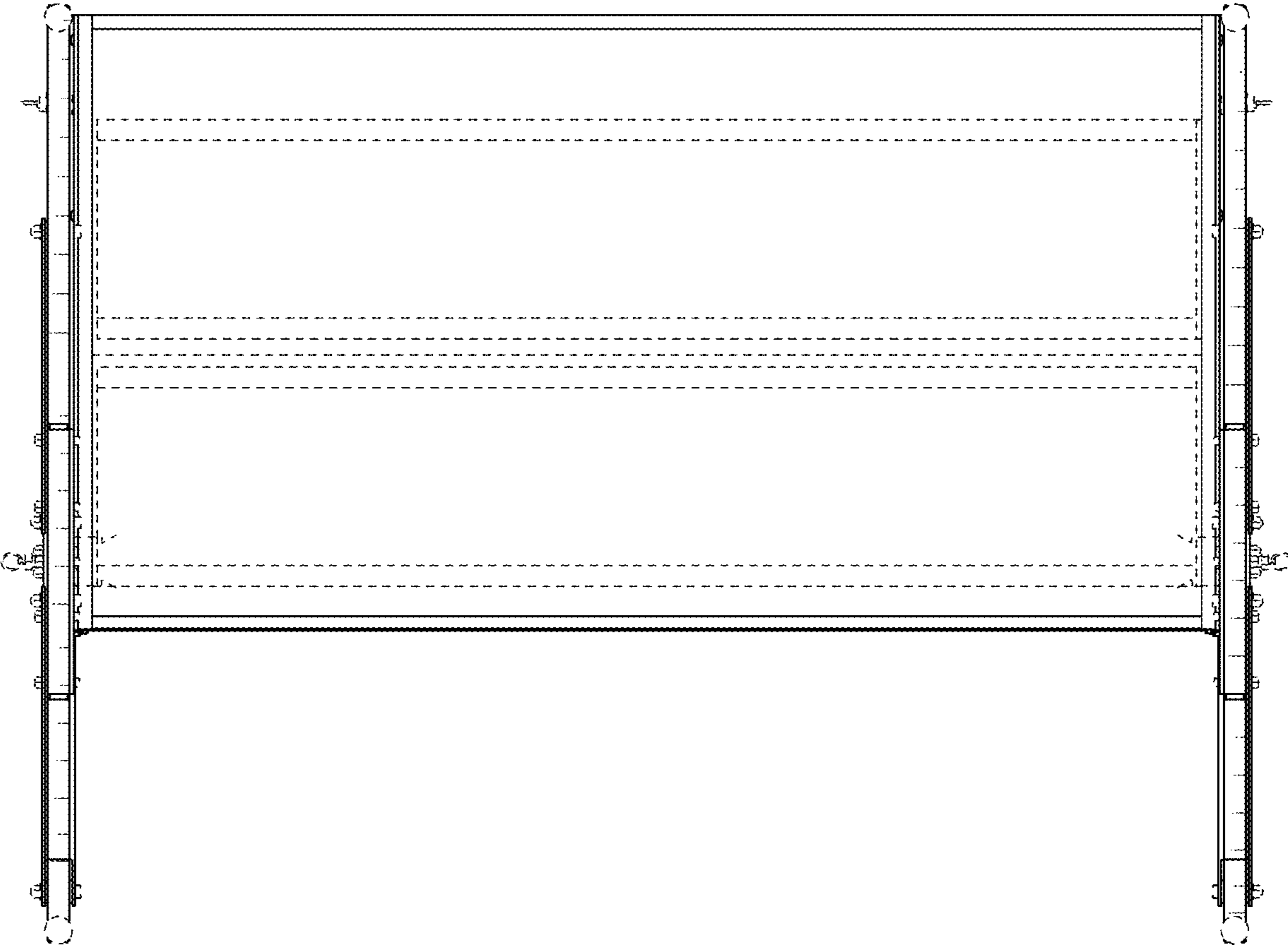


FIG. 7