



US00D998967S

(12) **United States Design Patent** (10) **Patent No.:** **US D998,967 S**
Chao et al. (45) **Date of Patent:** **** Sep. 19, 2023**

(54) **TOTE**

(71) Applicant: **TUMI, INC.**, Edison, NJ (US)

(72) Inventors: **Pablo Chao**, New York City, NY (US);
Peter C. Wu, Sunnyside, NY (US);
Victor G. Sanz, Whitehouse Station, NJ (US)

(73) Assignee: **TUMI, INC.**, Edison, NJ (US)

(**) Term: **15 Years**

(21) Appl. No.: **29/785,388**

(22) Filed: **May 25, 2021**

(51) **LOC (14) Cl.** **03-01**

(52) **U.S. Cl.**
USPC **D3/289**; D3/321

(58) **Field of Classification Search**
USPC D3/20, 201, 203.6, 203.7, 203.8, 211,
D3/221-223, 226-229, 232-235, 245,
D3/246, 254-262, 270, 271.1, 271.2, 273,
D3/276, 277, 287-289, 299, 301-309,
D3/318-328; D7/601-607, 631-633,
D7/637; D9/600, 607, 612, 702, 703,
D9/434, 435, 436, 499; D13/184;
D24/118, 207

CPC .. A45C 3/00; A45C 3/001; A45C 3/04; A45C
3/045; A45C 3/06; A45C 2003/002; A45C
5/08; A45C 7/0059; A45C 7/0063; A45C
11/00; A45C 11/182; A45C 11/20; A45C
11/22; A45C 11/24; A45C 11/26; A45C
2011/001; A45C 2011/002; A45C
2011/003; A45C 13/00; A45C 13/001;
A45C 13/04; A45C 13/06; A45C 13/08;
A45C 13/083; A45C 13/086; A45C 13/30

See application file for complete search history.

(56) **References Cited**

U.S. PATENT DOCUMENTS

3,675,843 A * 7/1972 Polansky A45C 7/0072
383/89

D260,200 S * 8/1981 Siegel D3/246
(Continued)

FOREIGN PATENT DOCUMENTS

EM 002676536-0001 * 6/2015
HK 2119023-0004 * 2/2022

(Continued)

OTHER PUBLICATIONS

Tumi Tumi Tote Handle Longer Expandable, available at store.
shopping.yahoo.co.jp, earliest customer review date Mar. 25, 2022
[online], site visited Feb. 21, 2023, available from the internet URL:
[https://store.shopping.yahoo.co.jp/galleria-onlineshop/tum00197.
html#](https://store.shopping.yahoo.co.jp/galleria-onlineshop/tum00197.html#) (Year: 2022).*

(Continued)

Primary Examiner — April Rivas

Assistant Examiner — Jillian Mazzola

(74) *Attorney, Agent, or Firm* — Lando & Anastasi, LLP

(57) **CLAIM**

The ornamental design for a tote, as shown and described.

DESCRIPTION

FIG. 1 is a front perspective view of a tote showing the new design;

FIG. 2 is a front view of the tote of FIG. 1;

FIG. 3 is a rear view of the tote of FIG. 1;

FIG. 4 is a left side view of the tote of FIG. 1;

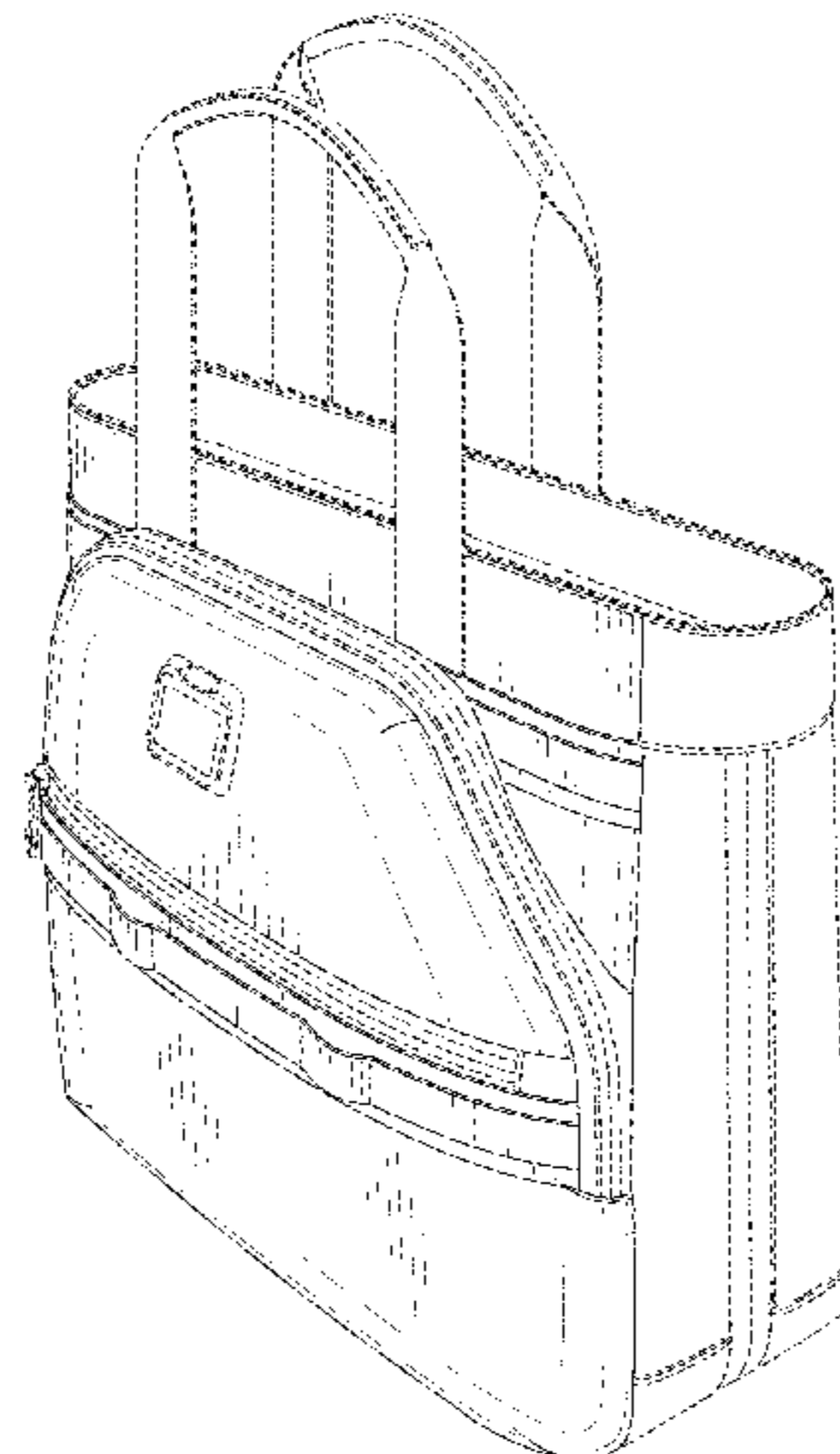
FIG. 5 is a right side view of the tote of FIG. 1;

FIG. 6 is a top view of the tote of FIG. 1; and,

FIG. 7 is a bottom view of the tote of FIG. 1.

The broken lines show portions of the tote that form no part of the claimed design. The line shading and stippling show contour and not surface ornamentation or color.

1 Claim, 7 Drawing Sheets



(56)

References Cited

U.S. PATENT DOCUMENTS

D390,004 S *	2/1998	Tawil	D3/246
6,193,034 B1 *	2/2001	Fournier	A45C 7/0095 206/289
D457,722 S *	5/2002	Moynova	D3/238
D491,363 S *	6/2004	Renz	D3/276
D505,012 S *	5/2005	Godshaw	D3/289
D525,027 S *	7/2006	Higgins	D3/242
D588,808 S *	3/2009	Devito-Ramsay	D3/274
D594,652 S *	6/2009	Guyon	D3/243
D623,406 S *	9/2010	Yu	D3/232
D808,157 S *	1/2018	Viger	D3/245
D819,967 S *	6/2018	Carter	D3/246
D841,324 S *	2/2019	Carter	D3/245
D904,021 S *	12/2020	Sanz	D3/283
D931,604 S *	9/2021	Thibadeau	D3/289
D972,371 S *	12/2022	Seiders	D7/607
D973,345 S *	12/2022	Knight	D3/201

FOREIGN PATENT DOCUMENTS

JP	D1417884	*	7/2011
JP	D1518763	*	3/2015

OTHER PUBLICATIONS

Tumi Alpha Bravo Japan Limited Tote Bag, available at ebay.com, earliest date available Nov. 22, 2022 [online], site visited Feb. 21, 2023, available from the internet URL: <https://www.ebay.com/itm/314235257854?> (Year: 2022).*

Alpha Slim Deluxe Portfolio, available at tumi.com, earliest customer review date Oct. 10, 2019 [online], site visited Feb. 21, 2023, available from the internet URL: https://www.tumi.com/p/slim-deluxe-portfolio-01173011041/?gclid=EA1alQobChMlra7ars2n_QIVBilMCh27BARCEAsYByABEgJYfvD_BwE (Year: 2019).*

Tumi Alpha Bravo Academy Briefcase, available at bloomingdales.com, earliest customer review date Oct. 2022 [online], site visited Feb. 21, 2023, available from the internet URL: https://www.bloomingdales.com/shop/product/tumi-alpha-bravo-academy-briefcase?ID=4286389&pla_country=US& (Year: 2022).*

* cited by examiner

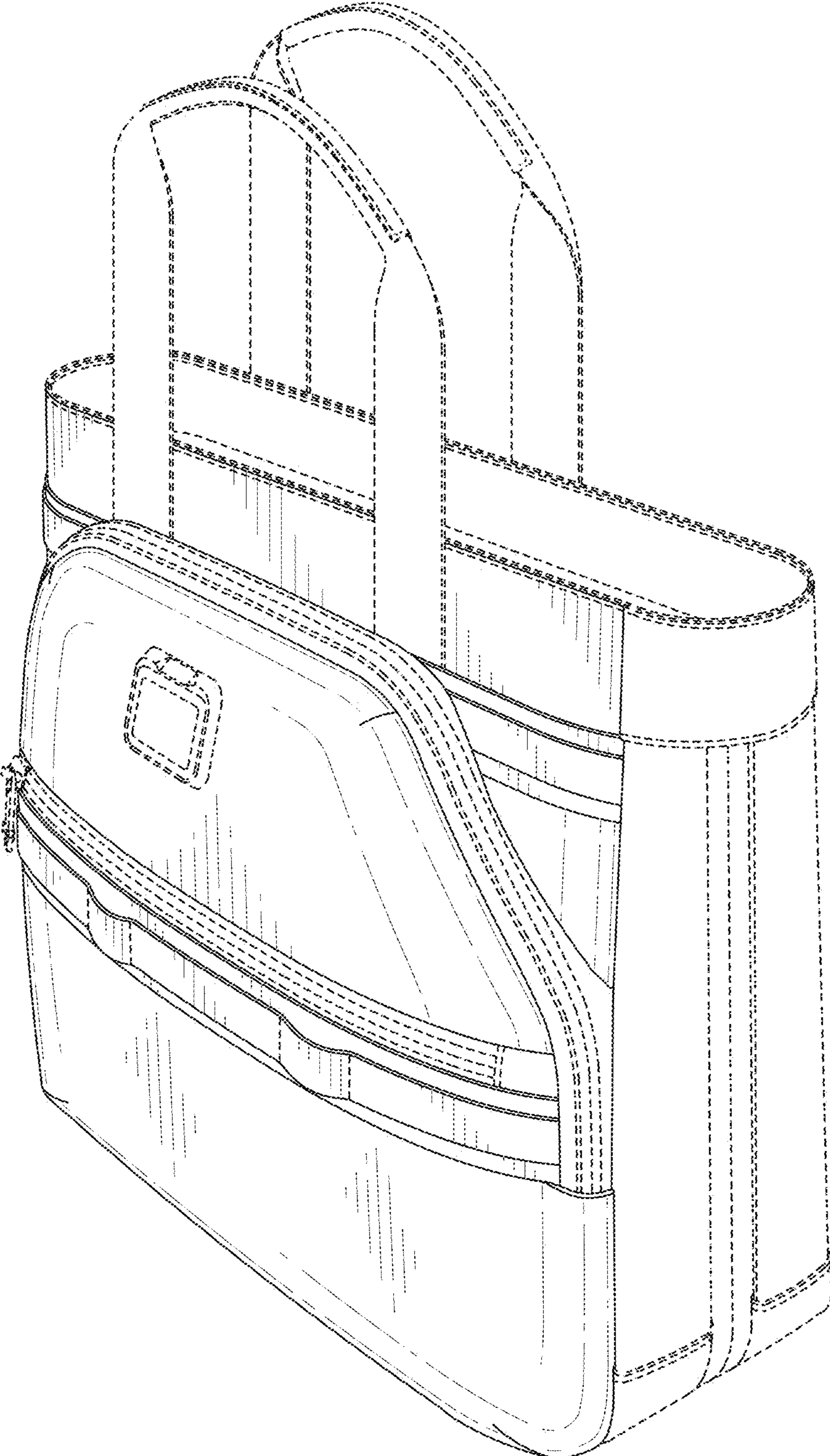


FIG. 1

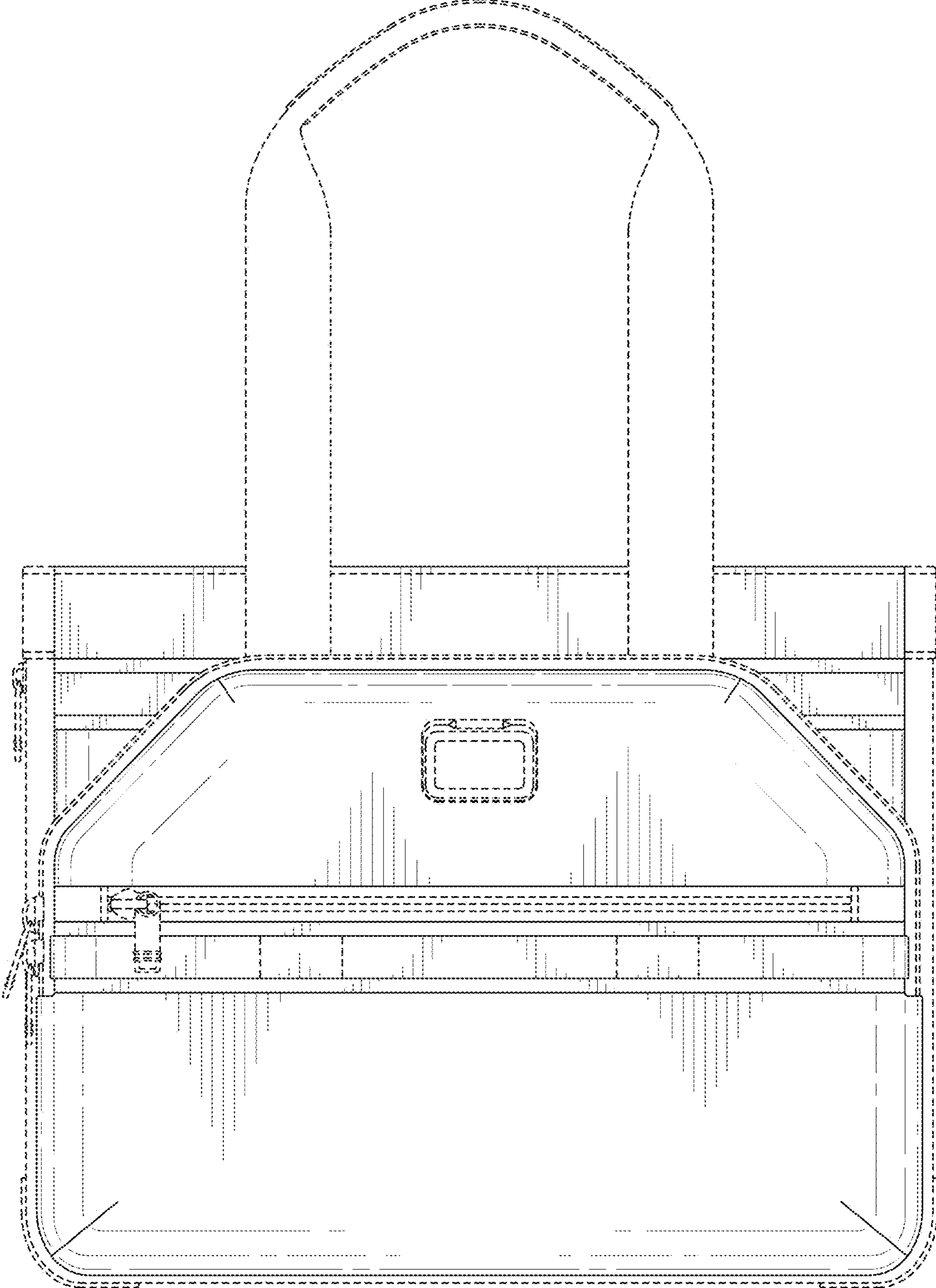


FIG. 2

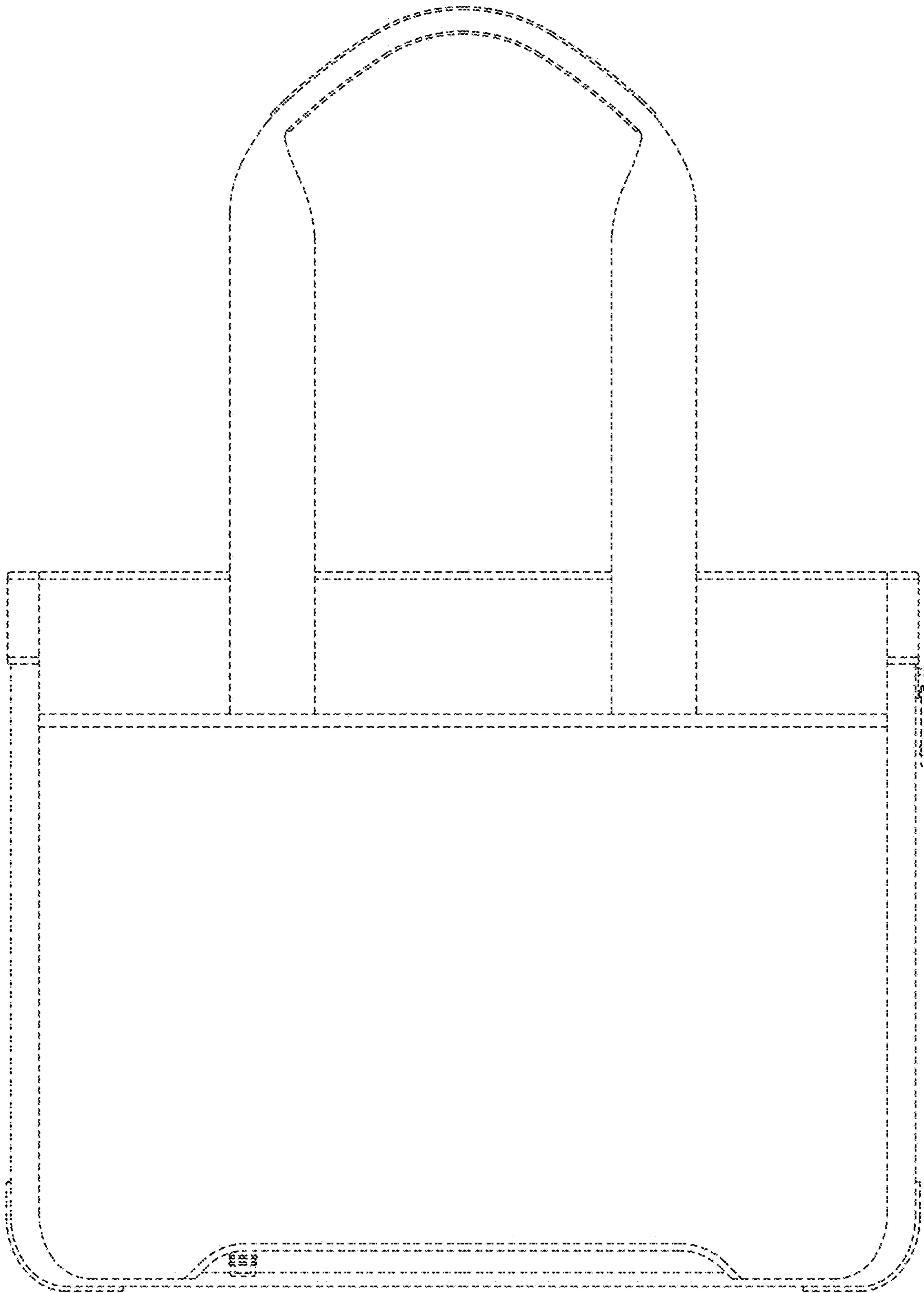


FIG. 3

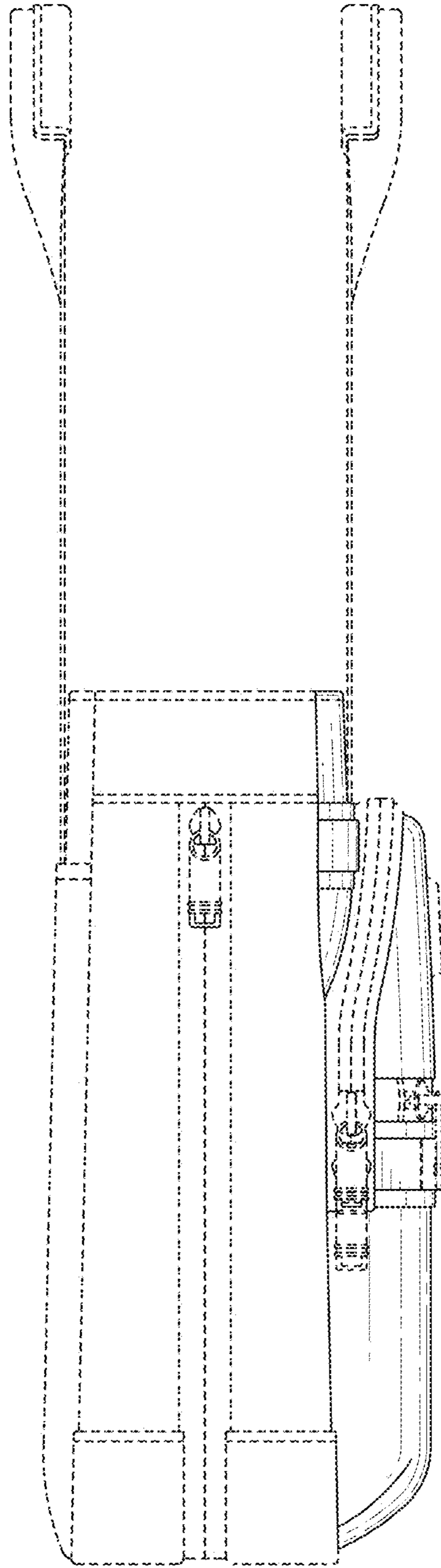


FIG. 4

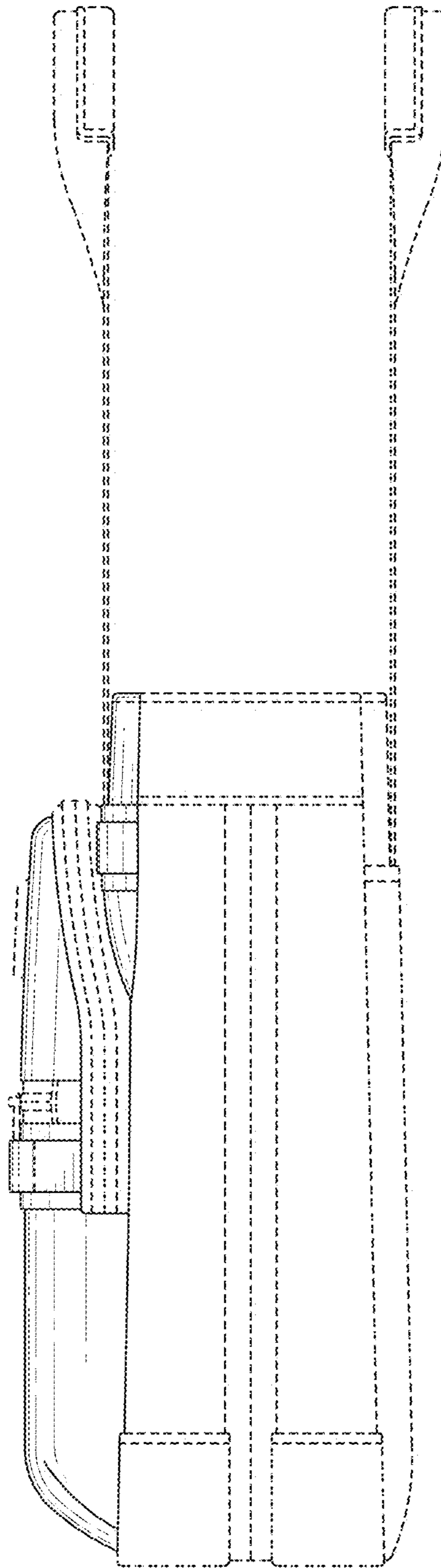


FIG. 5

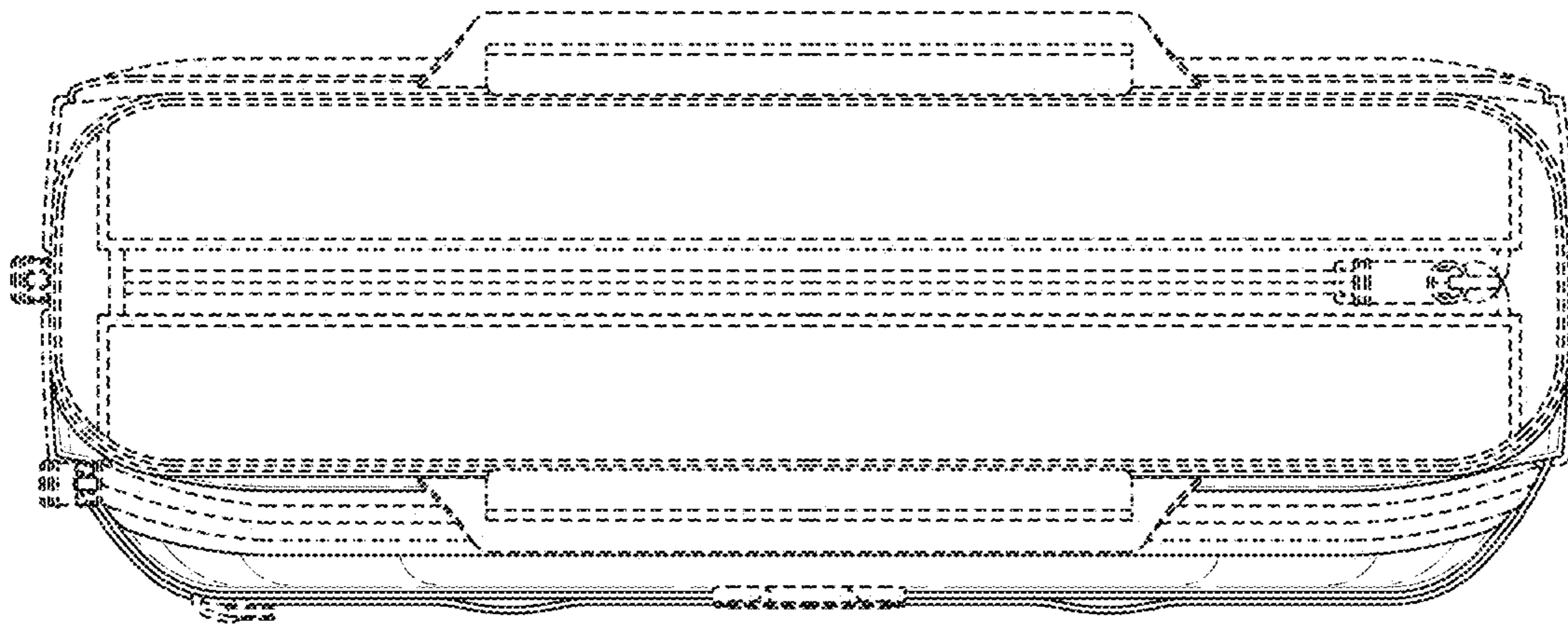


FIG. 6

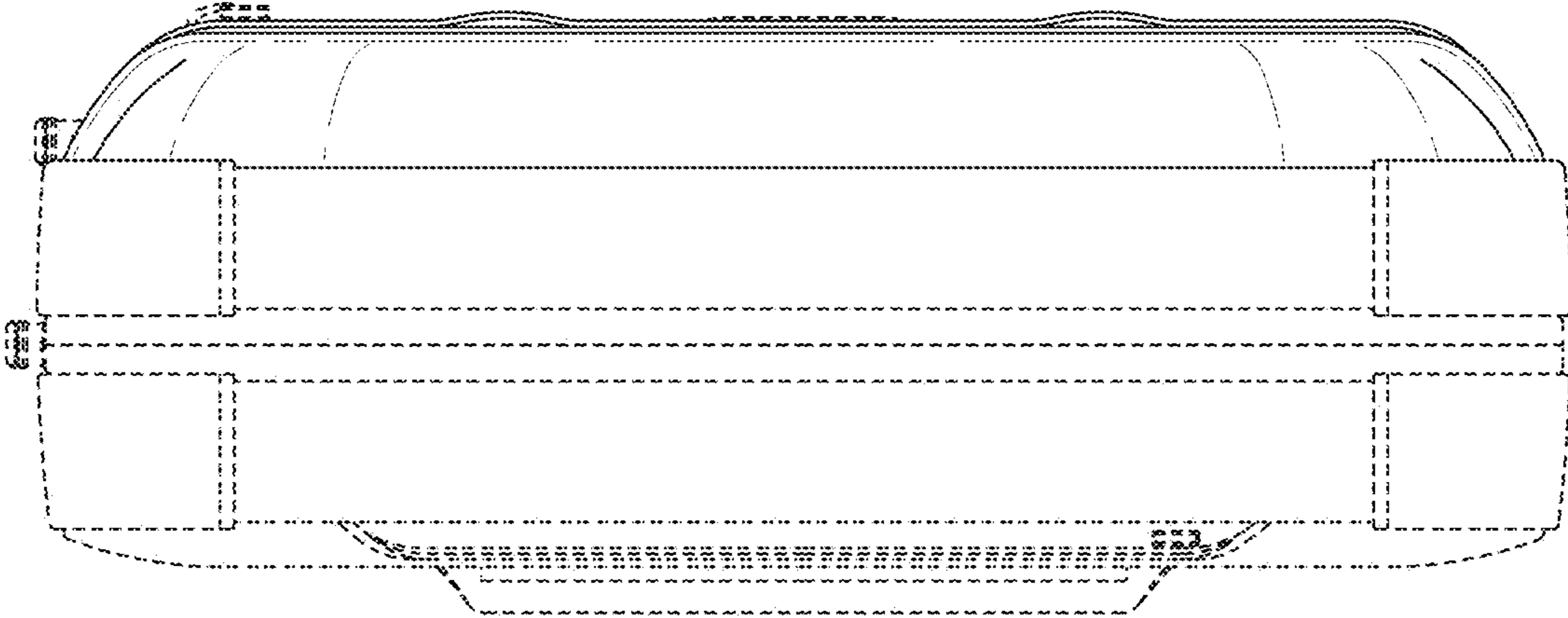


FIG. 7