



US00D998906S

(12) **United States Design Patent** (10) **Patent No.:** **US D998,906 S**
Chen (45) **Date of Patent:** **** Sep. 12, 2023**

(54) **PET FEEDER**

OTHER PUBLICATIONS

(71) Applicant: **GUANGDONG QIRAN TECHNOLOGY CO., LTD**, Chaozhou (CN)

“Lingo Aluminum Pet Dining Table” available Jun. 28, 2022, [online], [site visited May 31, 2023]. Retrieved from Internet, URL:https://www.amazon.com/dp/B0B58L2YLT/ref=sspa_dk_detail_4 (Year: 2022).*

(72) Inventor: **Peixu Chen**, Chaozhou (CN)

“Handrong Foldable Pet Bowls” available Oct. 30, 2022, [online], [site visited May 31, 2023]. Retrieved from Internet, URL:https://www.amazon.com/Foldable-Elevated-Raised-Feeding-Stainless/dp/B0BCFYJ4QK/ref=sr_1_32 (Year: 2022).*

(**) Term: **15 Years**

“Elevated Cat Bowls” available Dec. 11, 2021, [online], [site visited]. Retrieved from Internet, URL:https://www.amazon.com/Ceramic-Elevated-Vomiting-Friendly-Stand-Brown/dp/B09M8D3YDF/ref=sr_1_69 (Year: 2021).*

(21) Appl. No.: **29/817,490**

(22) Filed: **Dec. 1, 2021**

(51) **LOC (14) Cl.** **30-03**

(52) **U.S. Cl.**
USPC **D30/129**

(58) **Field of Classification Search**

USPC D30/121, 122, 129, 130, 131, 132, 133;
119/51.01, 51.02, 51.03, 51.11, 51.12,
119/51.13, 51.5, 52.1, 57, 57.1, 57.92, 58,
119/60, 61.1, 61.5, 61.52, 61.54, 61.55,
119/61.57, 72, 72.5, 73, 74, 75, 78, 174
CPC A01K 5/00; A01K 5/0114; A01K 5/0121;
A01K 5/0135; A01K 7/005; A01K 7/00;
A01K 39/02; A01K 39/04; A01K 39/0213
See application file for complete search history.

* cited by examiner

Primary Examiner — Katrina N Gonzalez

(74) *Attorney, Agent, or Firm* — Hao Ni; Ni, Wang & Massand, PLLC

(57) **CLAIM**

The ornamental design for a pet feeder, as shown and described.

DESCRIPTION

FIG. 1 is a front, right side, top perspective view of a pet feeder showing my new design;

FIG. 2 is a front elevational view thereof;

FIG. 3 is a rear elevational view thereof;

FIG. 4 is a left side elevational view thereof;

FIG. 5 is a right side elevational view thereof;

FIG. 6 is a top plan view thereof; and,

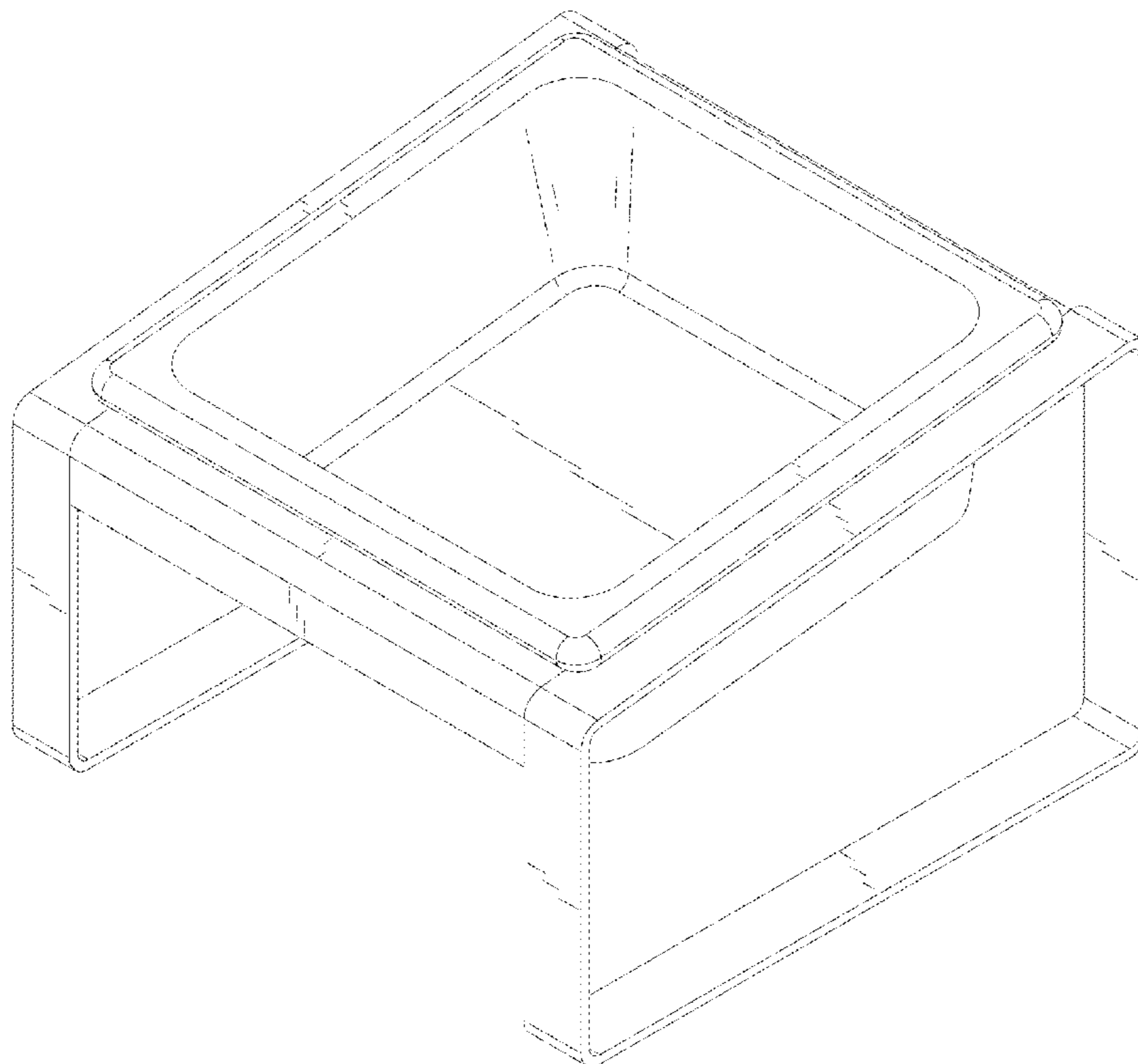
FIG. 7 is a bottom plan view thereof.

(56) **References Cited**

U.S. PATENT DOCUMENTS

D299,897 S * 2/1989 Rasmussen D7/619.1
D340,761 S * 10/1993 Long D30/129
D406,925 S * 3/1999 Sharon D30/129
D975,370 S * 1/2023 Yang D30/129
D987,207 S * 5/2023 Wu D30/129

1 Claim, 7 Drawing Sheets



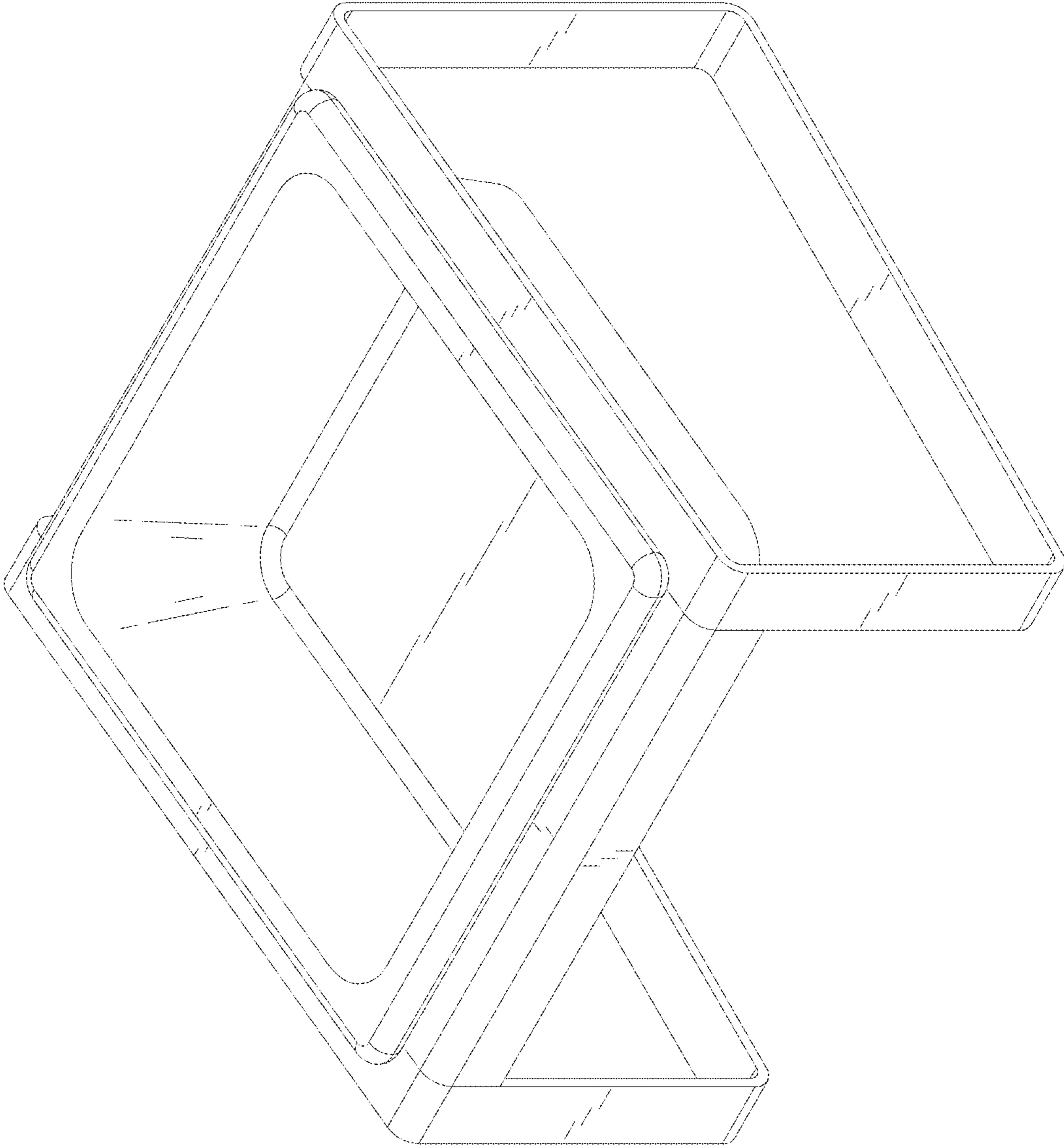


FIG. 1

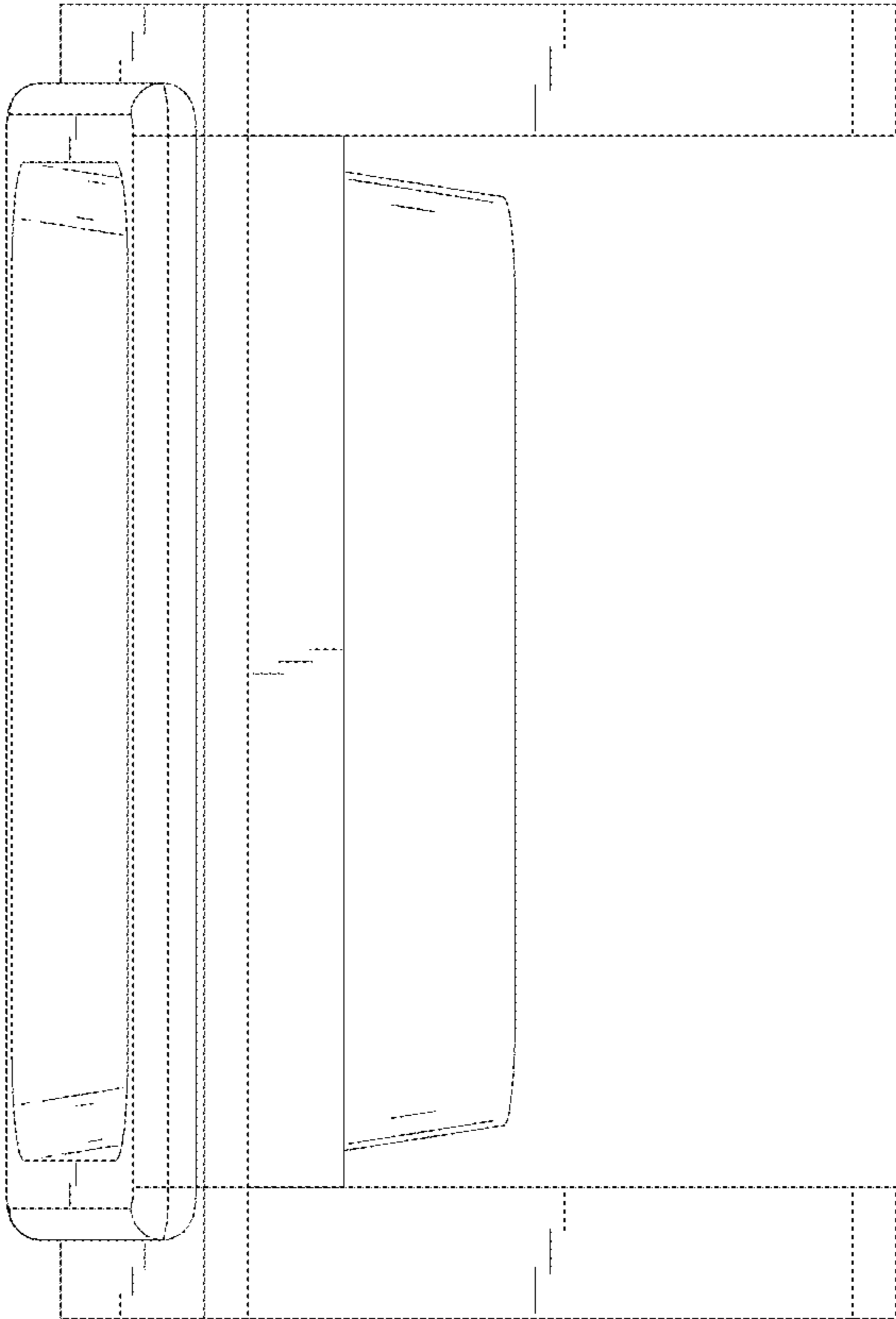


FIG. 2

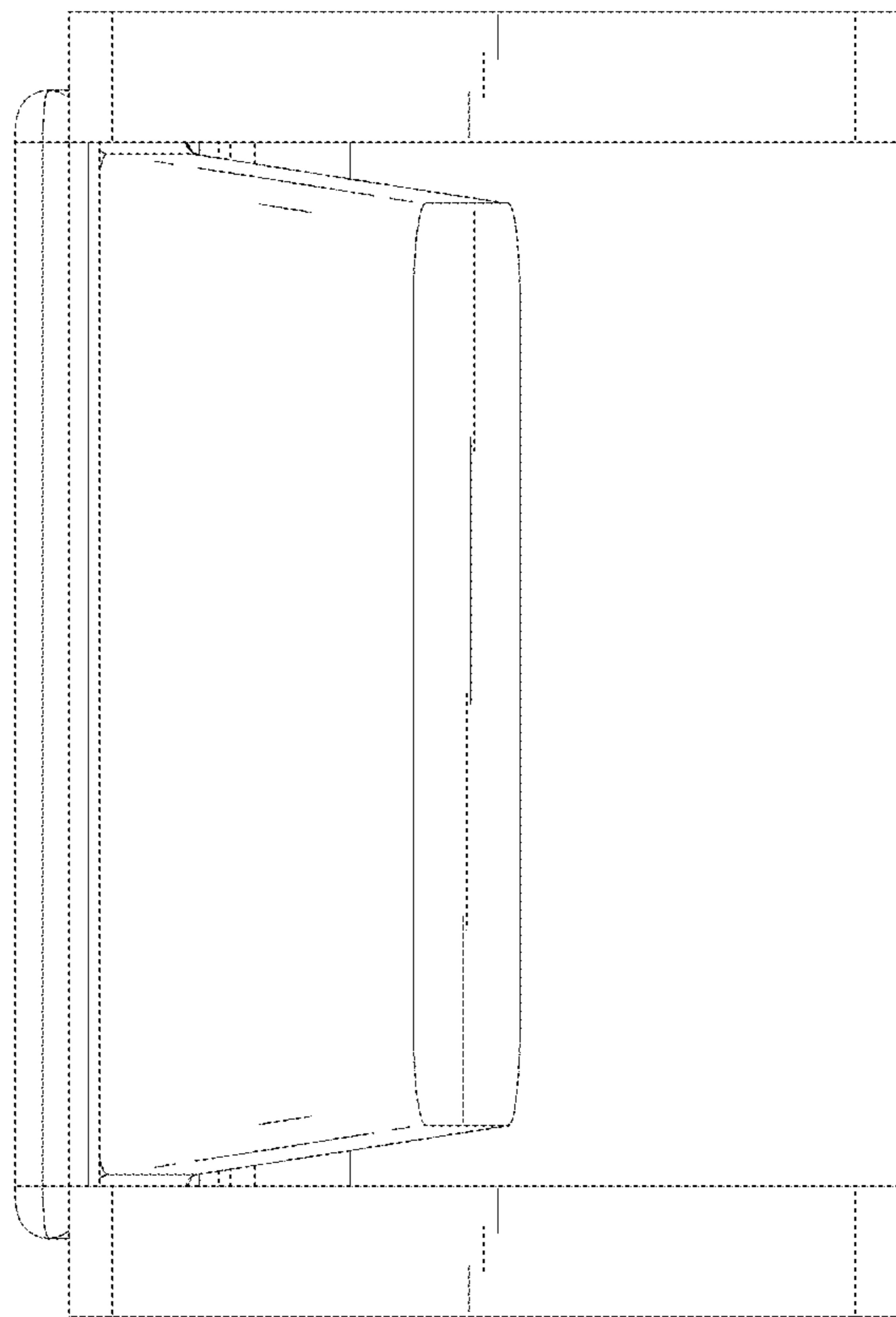


FIG. 3

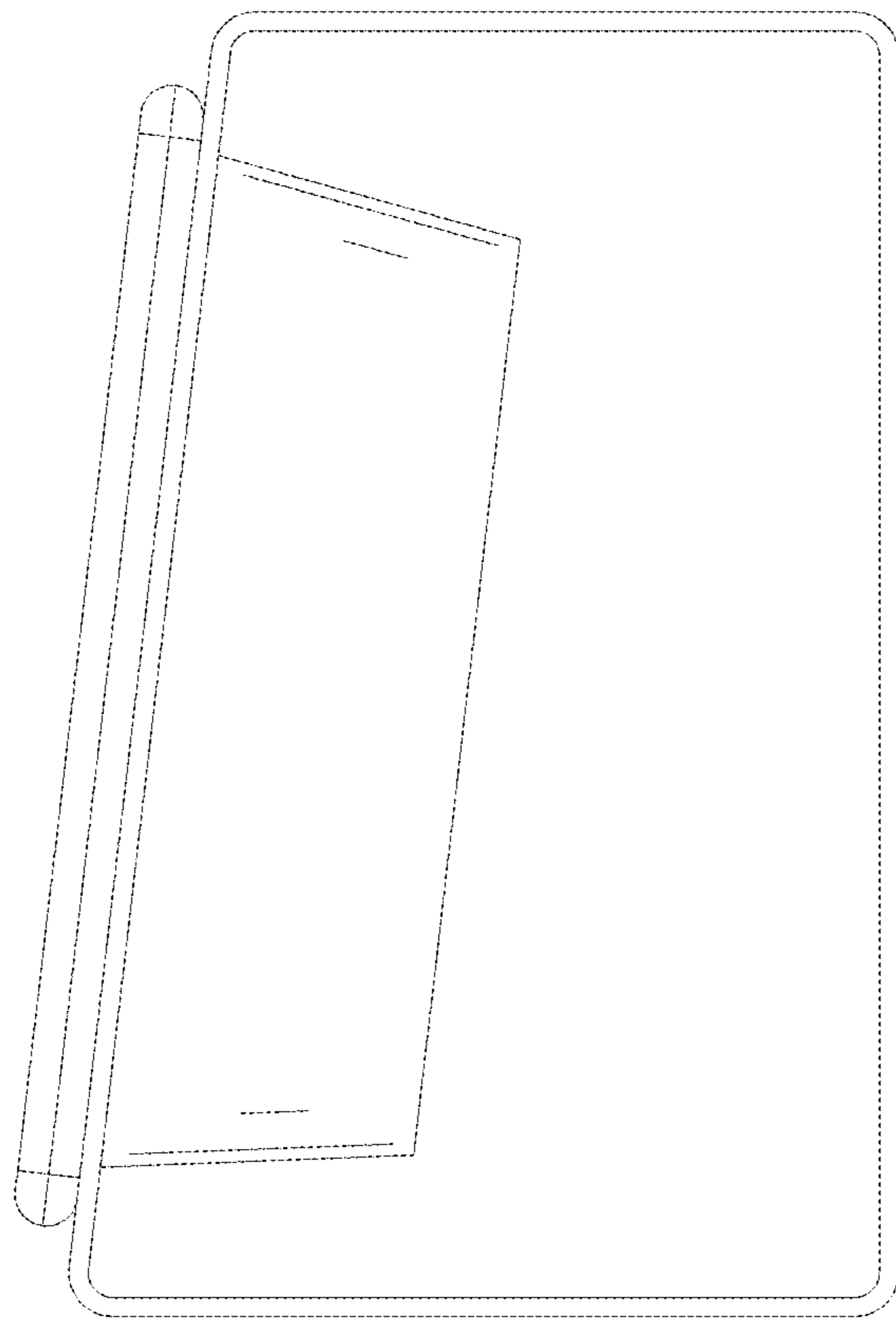


FIG. 4

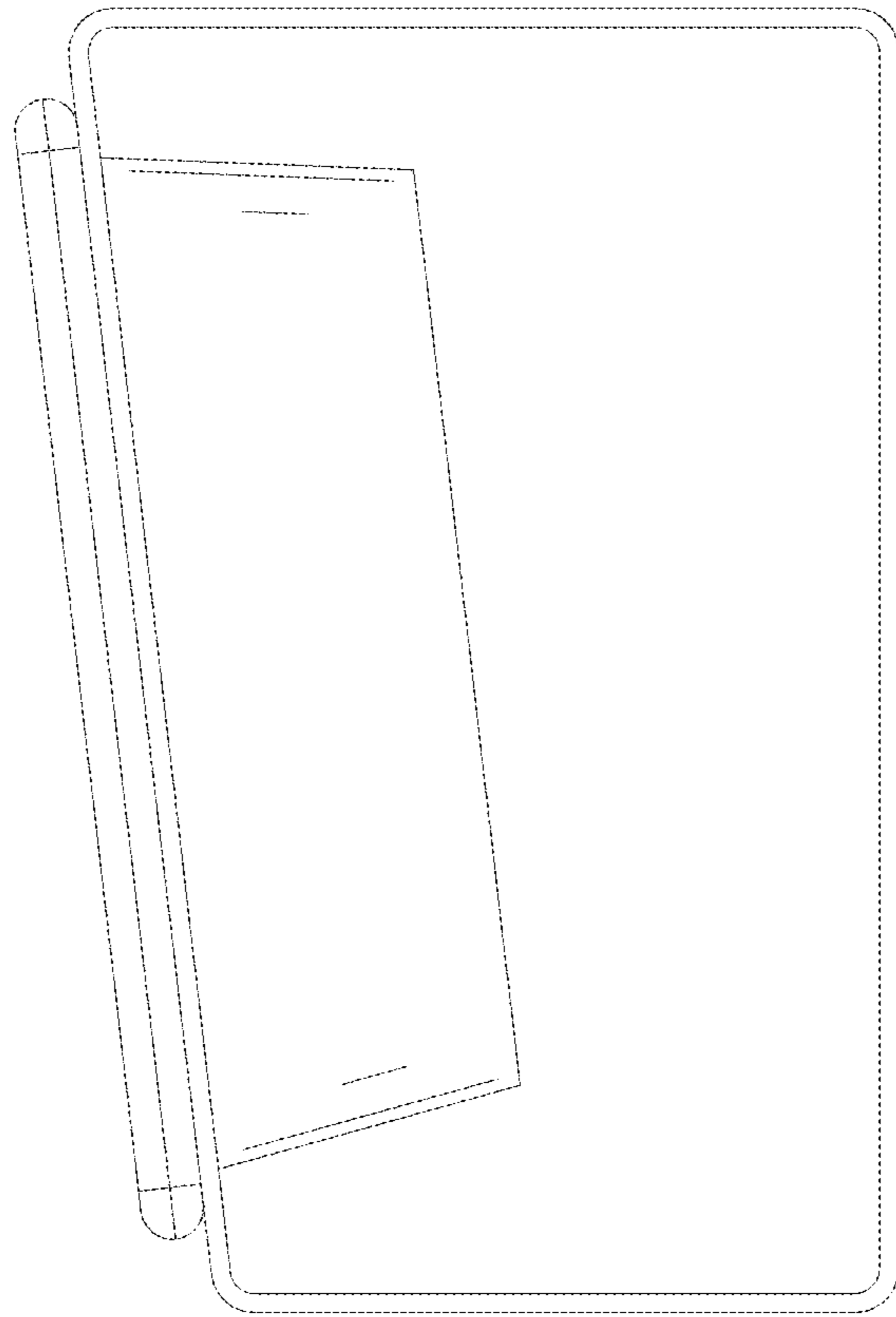


FIG. 5

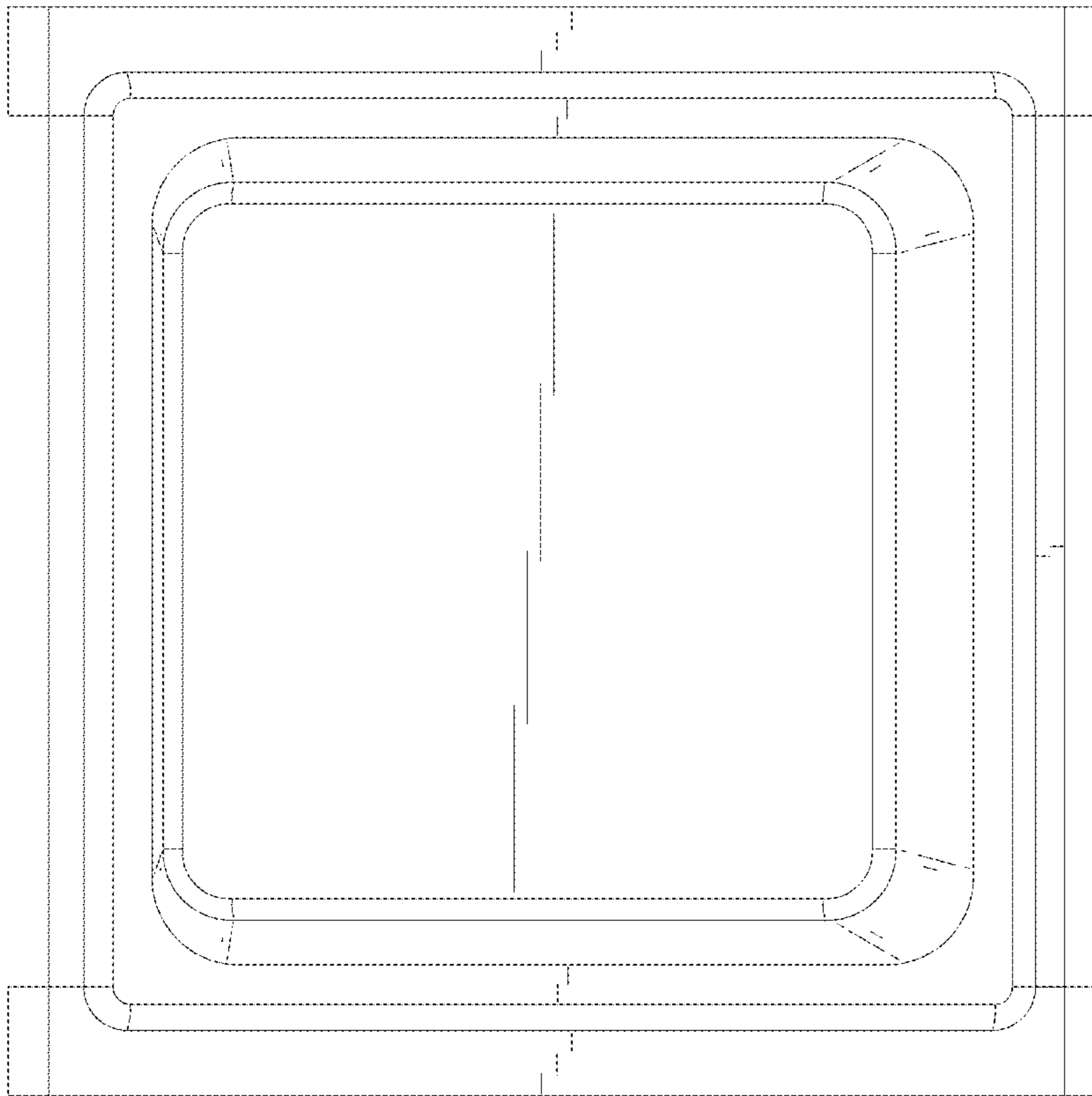


FIG. 6

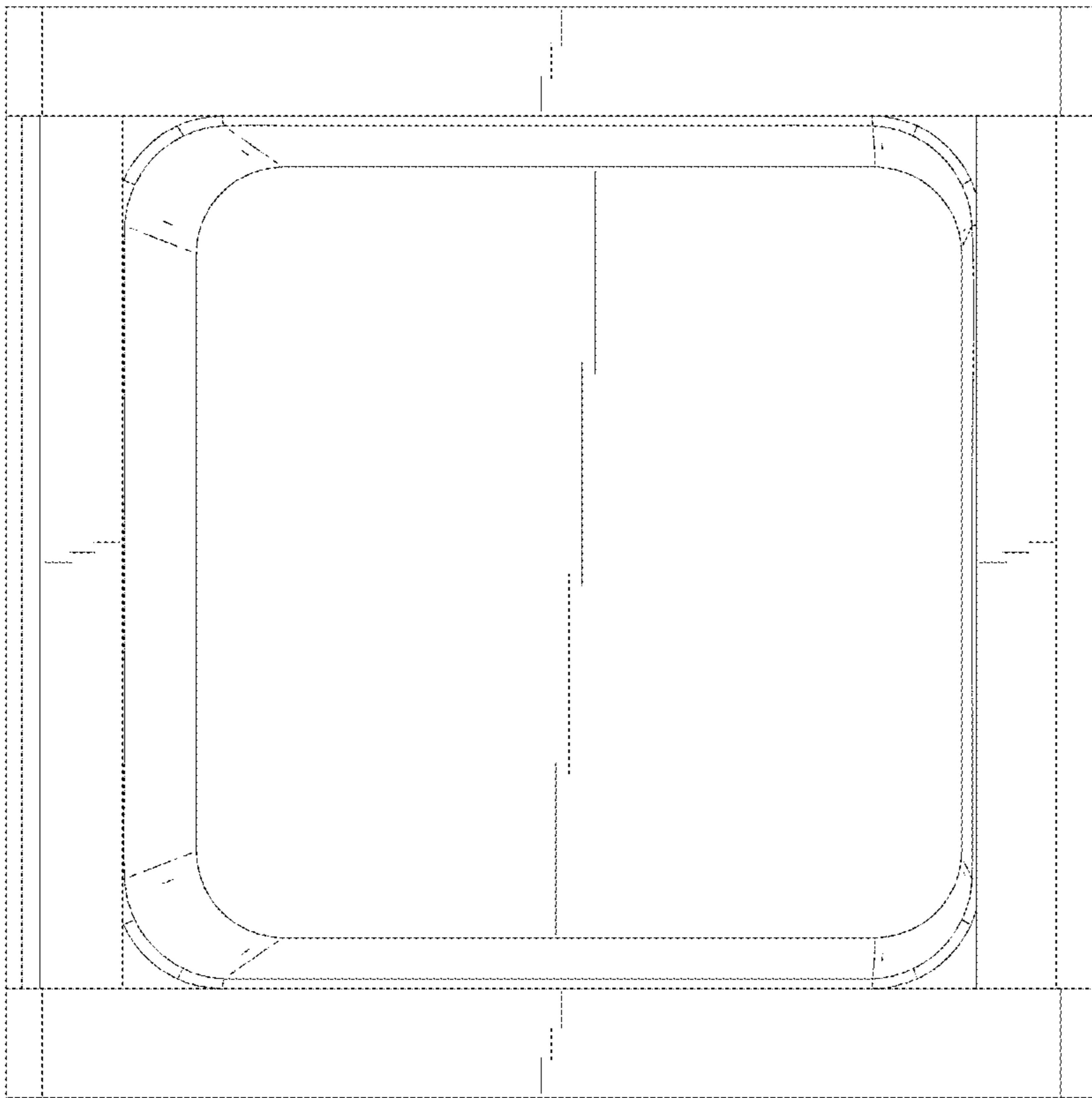


FIG. 7