



US00D998867S

(12) **United States Design Patent** (10) **Patent No.:** **US D998,867 S**  
**Kolliopoulos et al.** (45) **Date of Patent:** **\*\* Sep. 12, 2023**

(54) **LIGHT DIFFUSER**

(71) Applicants: **Georgios Kolliopoulos**, Milan (IT);  
**Enrico De Lotto**, Milan (IT)  
(72) Inventors: **Georgios Kolliopoulos**, Milan (IT);  
**Enrico De Lotto**, Milan (IT)

(\*\*) Term: **15 Years**

(21) Appl. No.: **29/770,935**

(22) Filed: **Feb. 18, 2021**

(51) **LOC (14) Cl.** ..... **26-05**

(52) **U.S. Cl.**  
USPC ..... **D26/106**

(58) **Field of Classification Search**  
USPC ..... D26/24, 61, 62, 63, 64, 65, 66, 93, 104,  
D26/106, 107, 108, 109, 118; D16/237,  
D16/239, 244; D13/180  
CPC .... F21S 6/00; F21S 6/004; F21S 6/005; F21S  
6/006; F21S 6/007; F21S 6/008; F21S  
8/008; F21V 19/0075; F21V 21/02; F21V  
21/14; F21W 2131/30  
See application file for complete search history.

(56) **References Cited**

**U.S. PATENT DOCUMENTS**

D392,766 S *	3/1998	Gardere	.....	D26/108
D424,734 S *	5/2000	Gager	.....	D26/106
D578,226 S *	10/2008	West	.....	D26/124
D598,871 S *	8/2009	Eberle	.....	D13/180
D615,051 S *	5/2010	Chen	.....	D13/180
D640,643 S *	6/2011	Hsieh	.....	D13/180
D643,381 S *	8/2011	Hsieh	.....	D13/180
D658,317 S *	4/2012	Eberle	.....	D26/24
D666,761 S *	9/2012	Citterio	.....	D26/87
D840,061 S *	2/2019	Kolenda	.....	D26/26
D967,500 S *	10/2022	Yuan	.....	D26/106
D974,640 S *	1/2023	Tian	.....	D26/93
D975,343 S *	1/2023	Chen	.....	D26/106
D978,411 S *	2/2023	Liu	.....	D26/106

**OTHER PUBLICATIONS**

Sunset Projection Lamp, posted at Amazon, date first available Mar. 12, 2021. Site visited Apr. 18, 2023. Available from internet, URL: [https://www.amazon.ca/dp/B08YQNYQK?ref=cm\\_sw\\_r\\_cp\\_ud\\_dp\\_7NK0G04W6H2C86M2YNZ4&th=1](https://www.amazon.ca/dp/B08YQNYQK?ref=cm_sw_r_cp_ud_dp_7NK0G04W6H2C86M2YNZ4&th=1) (Year: 2021).\*

(Continued)

*Primary Examiner* — Samantha Wood

*Assistant Examiner* — Vanessa Martinez

(74) *Attorney, Agent, or Firm* — Patshegen IP; Moshe Pinchas

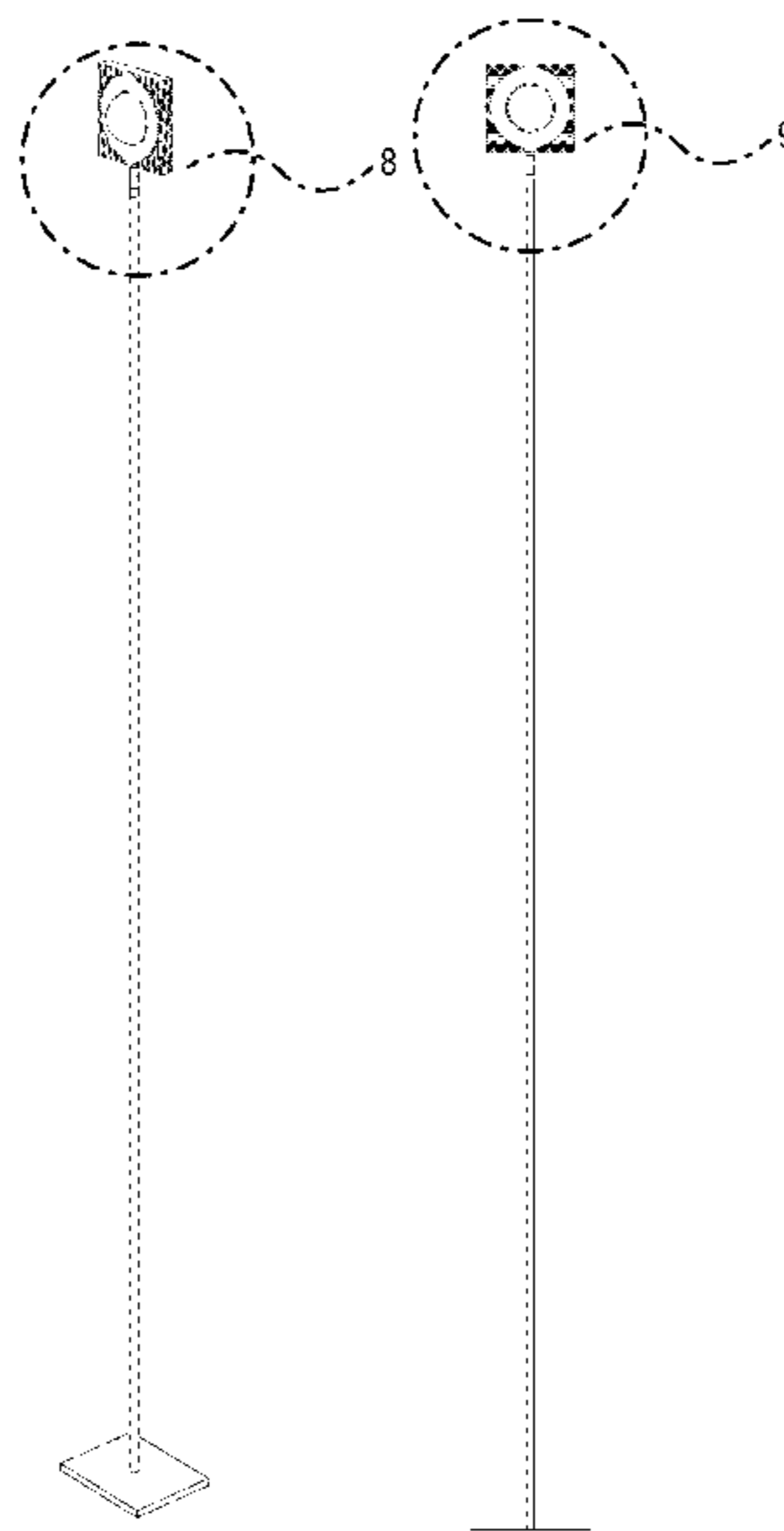
(57) **CLAIM**

The ornamental design for a light diffuser, as shown and described.

**DESCRIPTION**

FIG. 1 is a rear perspective view of the light diffuser showing the new design;  
FIG. 2 is a rear view thereof;  
FIG. 3 is a front view thereof;  
FIG. 4 is a right-side view thereof;  
FIG. 5 is a left-side view thereof;  
FIG. 6 is a top view thereof;  
FIG. 7 is a bottom view thereof;  
FIG. 8 is an enlarged rear perspective view of the top part of FIG. 1;  
FIG. 9 is an enlarged rear view of the top part of FIG. 2;  
FIG. 10 is an enlarged front view of the top part of FIG. 3;  
and,  
FIG. 11 is an enlarged right-side view of the top part of FIG. 4.  
The unevenly-spaced broken lines in FIGS. 1-4 and FIGS. 8-11 delineate areas of the figures shown enlarged and form no part of the claimed design.

**1 Claim, 10 Drawing Sheets**



(56)

**References Cited**

OTHER PUBLICATIONS

Sunset Red Halo, posted at 1stdibs. Site visited Apr. 12, 2023. Available from internet, URL: [https://www.1stdibs.com/furniture/lighting/floor-lamps/sunset-red-halo-giga-floor-lamp-mandalaki/id-f\\_33509632/](https://www.1stdibs.com/furniture/lighting/floor-lamps/sunset-red-halo-giga-floor-lamp-mandalaki/id-f_33509632/) (Year: 2023).\*

Projection Lamp, posted at pmarket. Site visited Apr. 12, 2023. Available from internet, URL: <https://www.pmarket.com.au/rainbow-projection-lamp-150-180cm-adjustable-purpl> (Year: 2023).\*

Wollet Sunset Projection Lamp, posted at Amazon, date first available Mar. 12, 2021. Site visited Jun. 26, 2023. Available from internet, URL: [https://www.amazon.com/dp/B08YQS6YSR?ref=cm\\_sw\\_r\\_cp\\_ud\\_dp\\_4C7Nzb14VQSSZMHG9A4X](https://www.amazon.com/dp/B08YQS6YSR?ref=cm_sw_r_cp_ud_dp_4C7Nzb14VQSSZMHG9A4X) (Year: 2021).\*

Halo One, posted at aplusrstore. Site visited Jun. 26, 2023. Available from internet, URL: <https://aplusrstore.com/products/halo-edition-halo-one> (Year: 2023).\*

\* cited by examiner

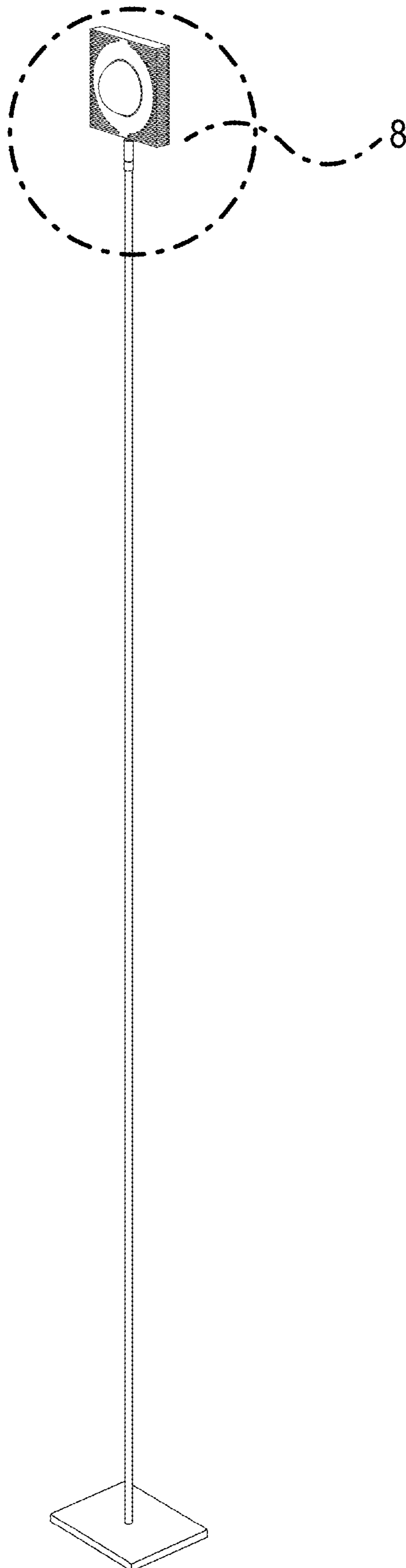


FIG. 1

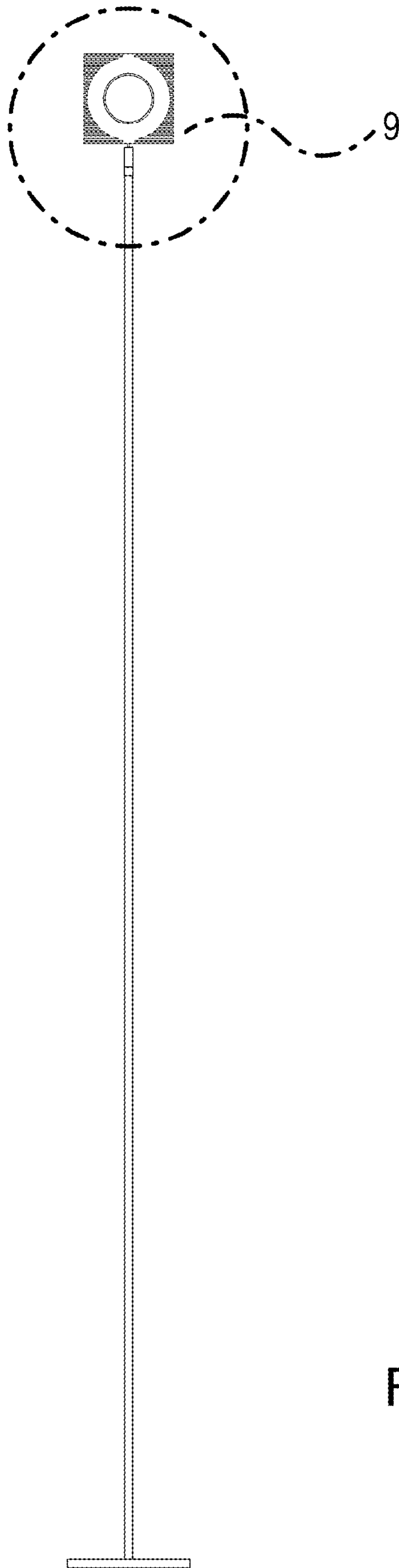


FIG. 2

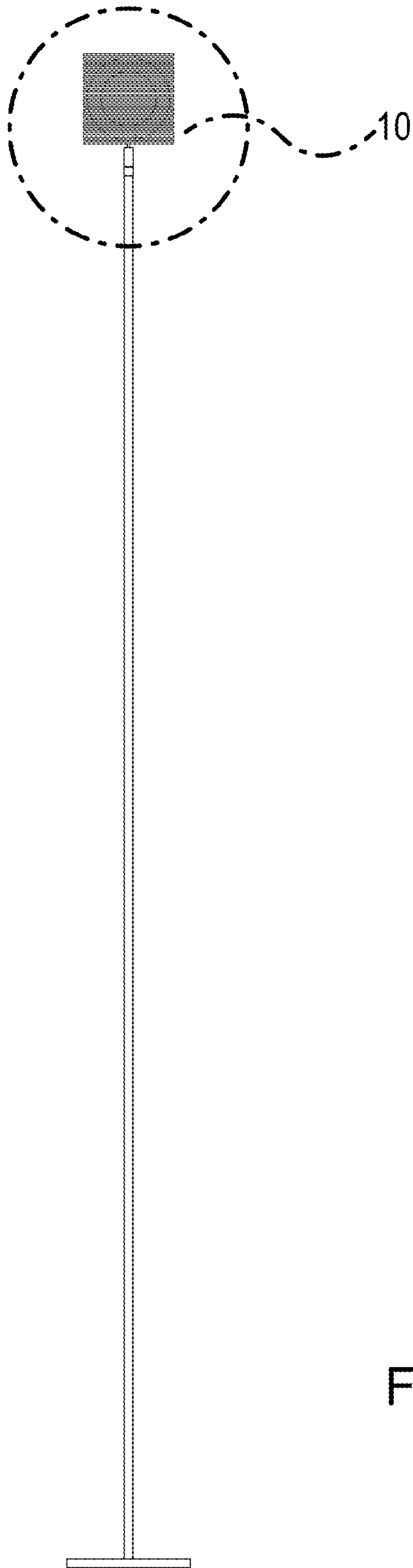


FIG. 3

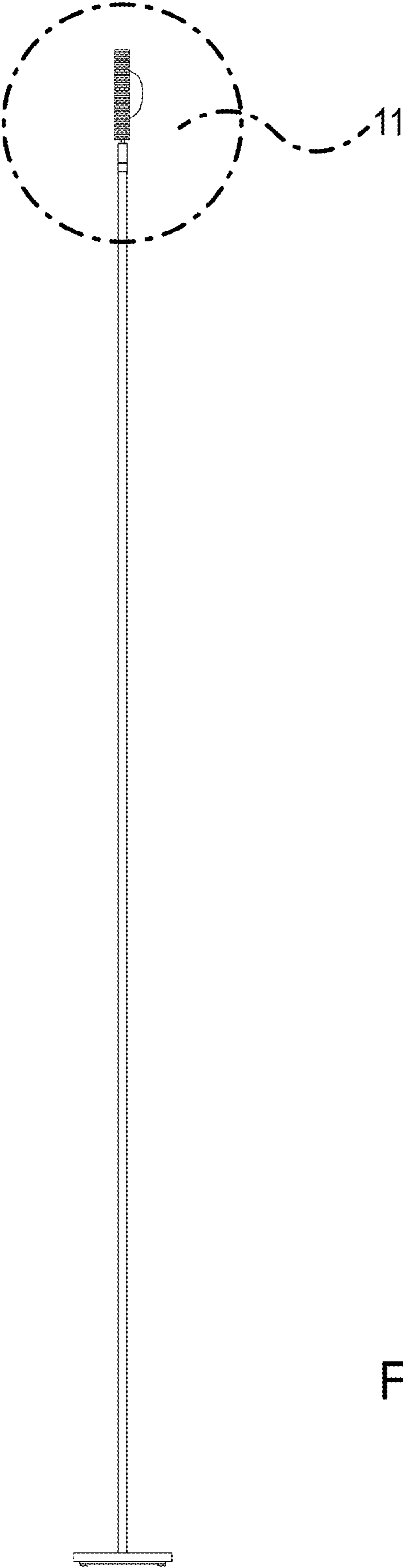


FIG. 4

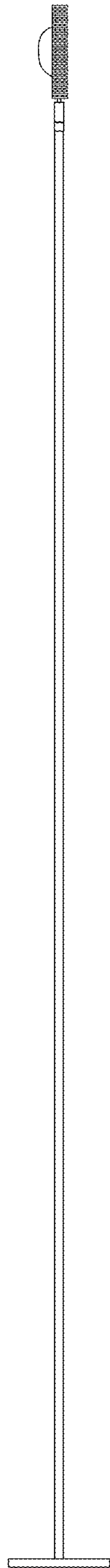


FIG. 5

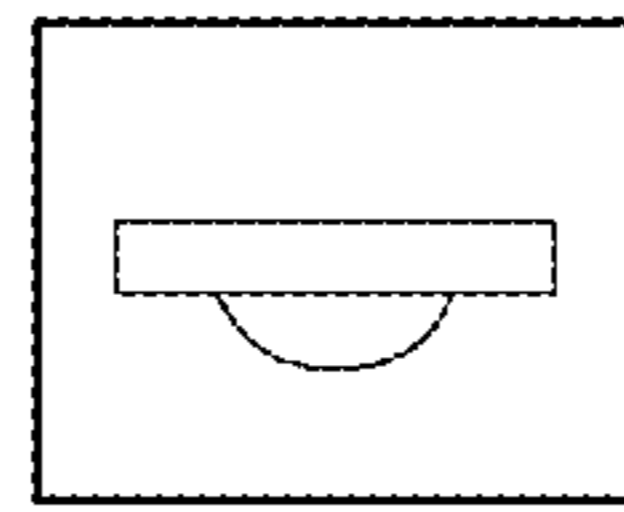


FIG. 6

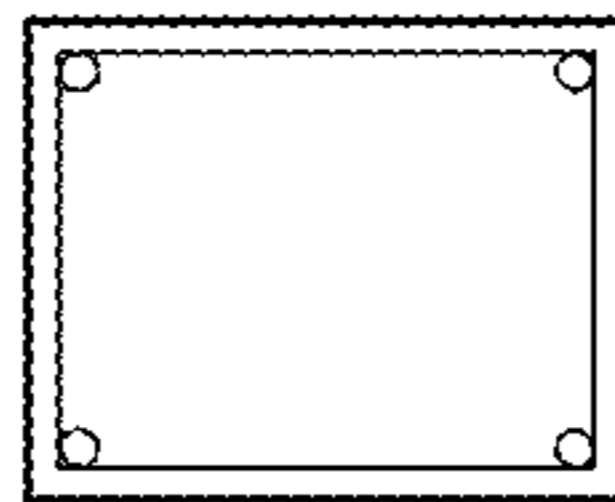


FIG. 7



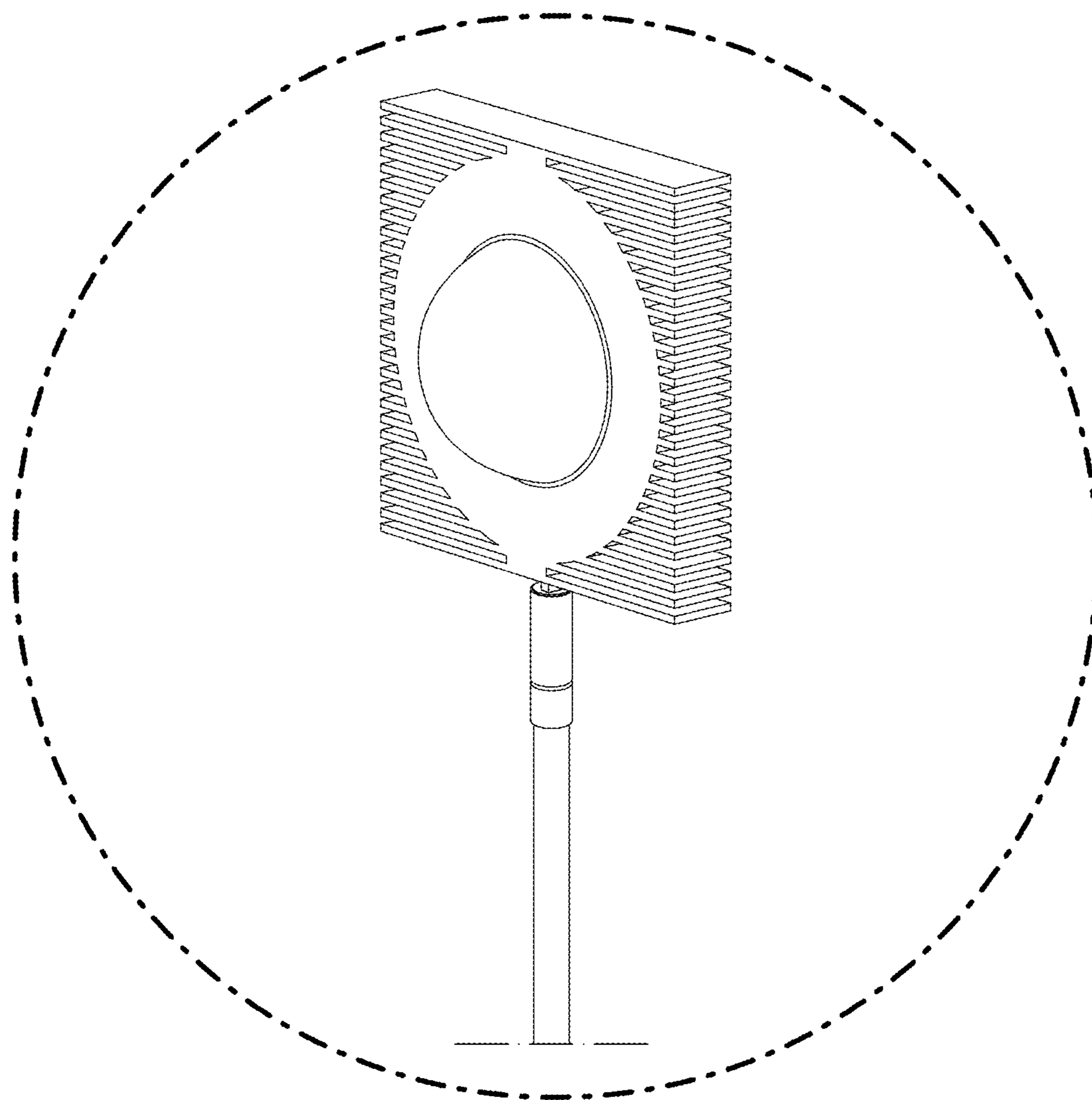


FIG. 8

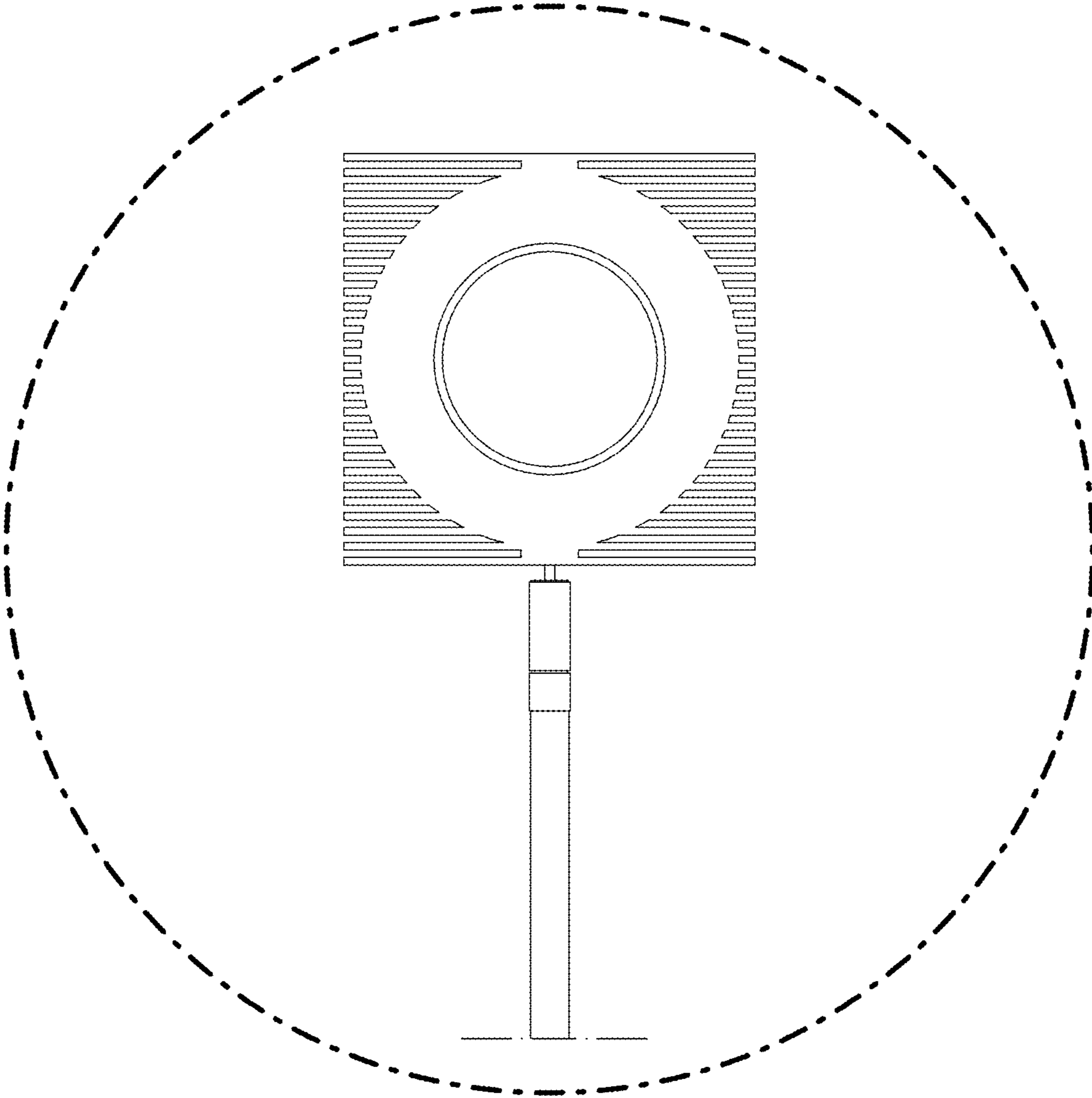


FIG. 9

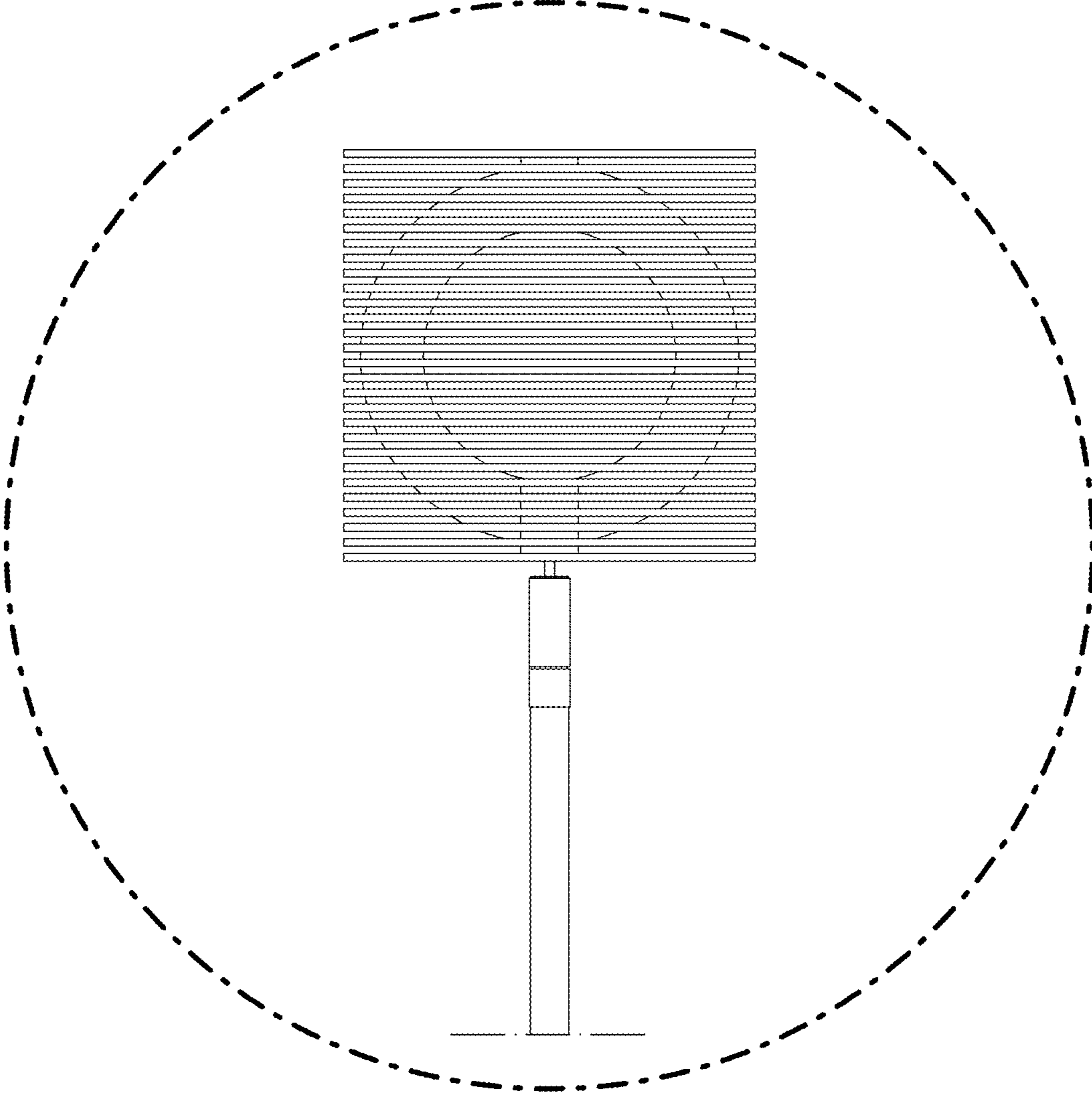


FIG. 10

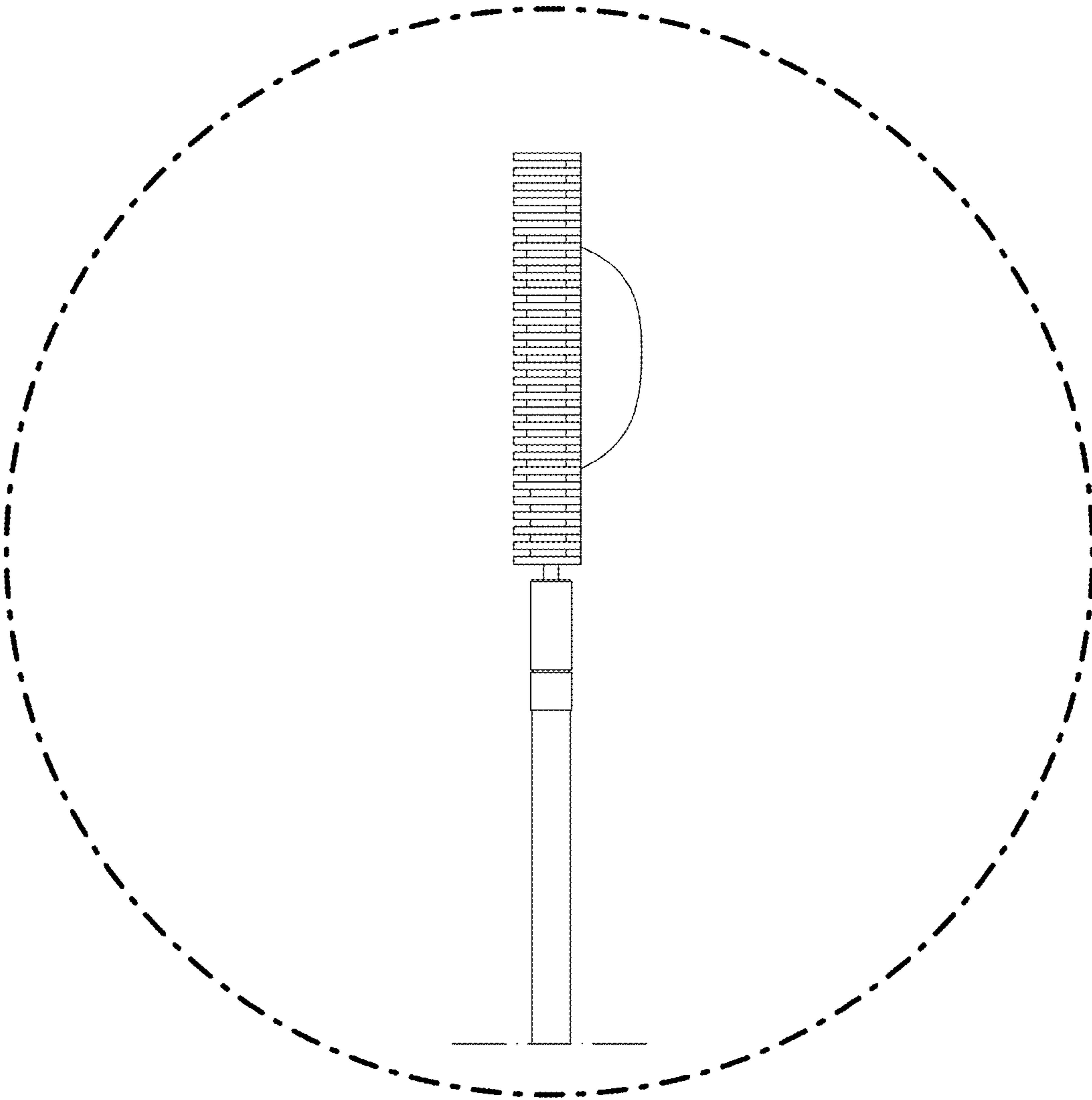


FIG. 11