



US00D998815S

(12) **United States Design Patent** (10) **Patent No.:** **US D998,815 S**  
**Vierheller et al.** (45) **Date of Patent:** **\*\* Sep. 12, 2023**

(54) **MESSAGE GUN HEAD SEAL**  
(71) Applicant: **PlayMakar Inc.**, Fort Worth, TX (US)  
(72) Inventors: **Federico G. Vierheller**, Fort Worth, TX (US); **Michael J. Williams**, Colleyville, TX (US)  
(73) Assignee: **PlayMakar, Inc.**, Fort Worth, TX (US)

5,134,777 A 8/1992 Meyer  
D373,571 S 9/1996 Zambelli  
5,656,017 A 8/1997 Keller et al.  
5,690,608 A 11/1997 Watanabe et al.  
6,228,042 B1 5/2001 Dungan  
6,357,125 B1 3/2002 Feldmann et al.  
6,616,621 B1 9/2003 Kohr  
6,682,496 B1 1/2004 Pivaroff  
6,758,826 B2 7/2004 Luetngen et al.

(Continued)

(\*\*) Term: **15 Years**

**FOREIGN PATENT DOCUMENTS**

(21) Appl. No.: **29/817,428**

CH 388531 A 2/1965  
CN 2694966 Y 4/2005

(Continued)

(22) Filed: **Dec. 1, 2021**

(51) **LOC (14) Cl.** ..... **24-01**

(52) **U.S. Cl.**

USPC ..... **D24/215**

(58) **Field of Classification Search**

USPC ..... D24/200, 209, 211, 212, 213, 214, 215;  
D26/113, 154; D8/300, 307, 310, 378;  
D9/435, 439; D7/393

CPC ..... A61H 2205/02; A61H 2201/1604; A61H  
37/00; A61H 2015/0042; A61H  
2201/0119; A61H 23/006

See application file for complete search history.

**OTHER PUBLICATIONS**

English translation for CH388531, espacenet.com, translated on Jul. 8, 2021.

(Continued)

*Primary Examiner* — Michael A Maharajh

(74) *Attorney, Agent, or Firm* — Dawn-Marie Bey; Bey & Cotropia PLLC

(56) **References Cited**

**U.S. PATENT DOCUMENTS**

859,424 A 7/1907 Aschburner  
890,822 A 6/1908 Tourtel et al.  
1,368,782 A 2/1921 Beach  
2,122,556 A 7/1938 Buffalow  
2,156,839 A 5/1939 Buffalow  
4,088,128 A 5/1978 Mabuchi  
4,513,737 A 4/1985 Mabuchi  
4,549,535 A 10/1985 Wing  
D284,553 S 7/1986 Collister  
4,726,430 A 2/1988 Hendrikx et al.  
4,790,296 A 12/1988 Segal  
4,841,955 A 6/1989 Evans et al.  
5,085,207 A 2/1992 Fiore

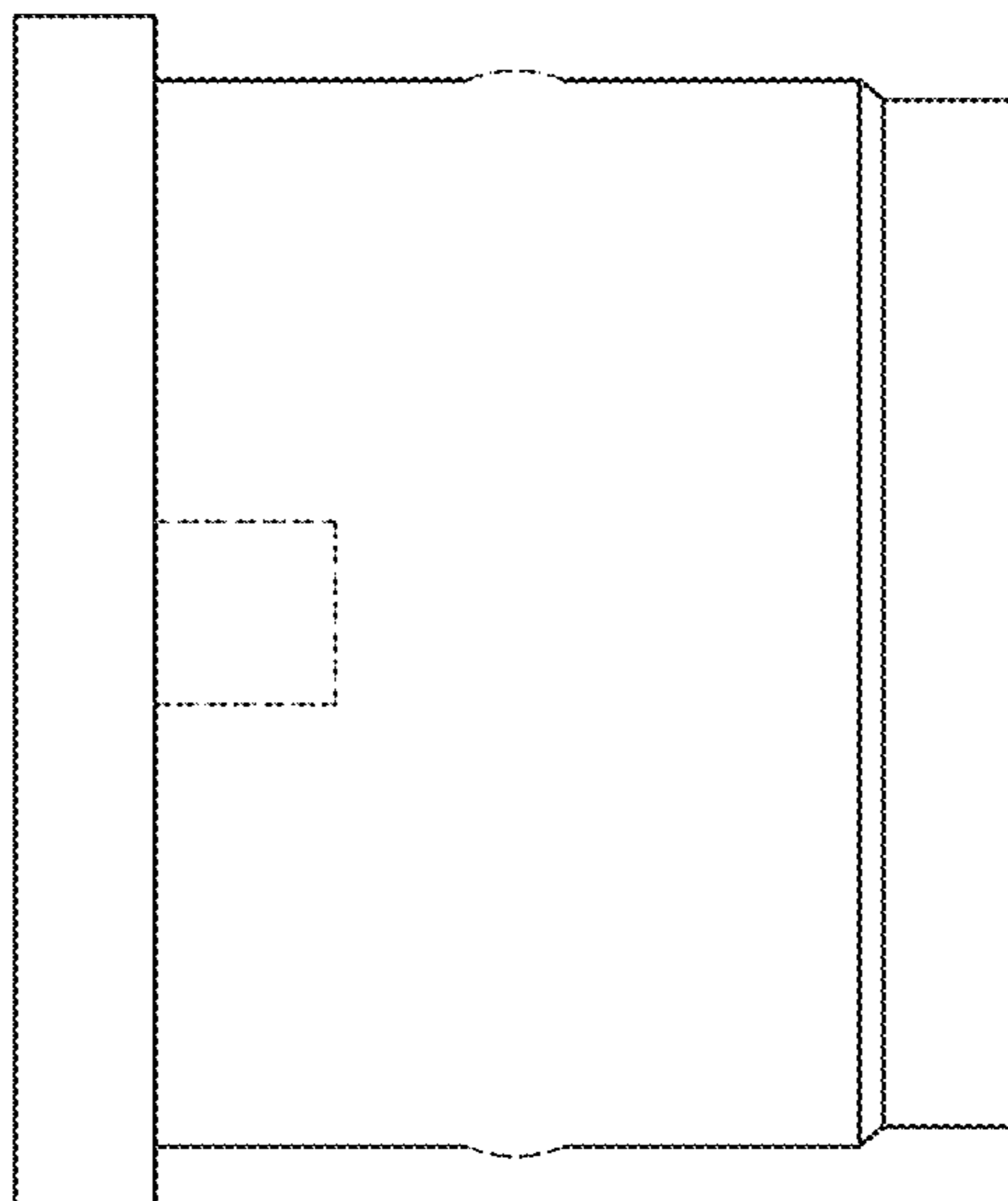
(57) **CLAIM**

The ornamental design for a massage gun head seal, as shown and described.

**DESCRIPTION**

FIG. 1 is a front view of an applicator for massage gun head seal, showing our new design;  
FIG. 2 is a Left View thereof;  
FIG. 3 is a Bottom View thereof; and,  
FIG. 4 is a Front perspective view thereof.  
The broken lines shown in the drawings are for the purpose of illustrating portions of the massage gun head seal, which form no part of the claimed design.

**1 Claim, 4 Drawing Sheets**



(56)

References Cited

U.S. PATENT DOCUMENTS

D525,115 S	7/2006	Harwanko	D949,384 S	4/2022	Liang
7,122,013 B2	10/2006	Liu	D949,417 S	4/2022	Khubani
7,144,417 B2	12/2006	Colloca et al.	D949,418 S	4/2022	Khubani
D544,102 S	6/2007	Pivaroff	D952,878 S	5/2022	Lin
D578,080 S	10/2008	Whang	D958,654 S *	7/2022	Lupberger ..... D9/439
7,503,923 B2	3/2009	Miller	D959,268 S *	8/2022	Hume ..... D9/439
D607,852 S	1/2010	Riede	D961,107 S *	8/2022	Tian ..... D24/215
D632,265 S	2/2011	Choi	D961,795 S	8/2022	Zhao
D639,784 S	6/2011	Murayama	D967,971 S	10/2022	Jinfeng
D649,657 S	11/2011	Petersen et al.	11,478,400 B1	10/2022	Marton
8,083,699 B2	12/2011	Colloca et al.	2002/0082532 A1	6/2002	Tucek et al.
D662,398 S	6/2012	Jahnke	2002/0107459 A1	8/2002	Chang
D679,576 S	4/2013	Paul	2003/0009116 A1	1/2003	Luetzgen
8,826,547 B2	9/2014	Oberheim	2003/0009118 A1	1/2003	Sabo et al.
8,968,221 B2	3/2015	Pryor et al.	2003/0028134 A1	2/2003	Lev
D738,355 S	9/2015	Smith	2003/0040689 A1	2/2003	Chan et al.
D751,538 S	3/2016	Koehler	2003/0101847 A1	6/2003	Harimoto
D756,333 S	5/2016	Smith	2003/0195443 A1	10/2003	Miller
9,526,671 B2	12/2016	Weck et al.	2005/0109137 A1	5/2005	Hartmann
D781,674 S	3/2017	Bullard	2005/0113870 A1	5/2005	Miller
9,889,066 B2	2/2018	Danby et al.	2005/0131461 A1	6/2005	Tucek et al.
D826,205 S	8/2018	Langhammer	2006/0025710 A1	2/2006	Schulz et al.
D837,395 S	1/2019	Gan	2006/0293711 A1	12/2006	Keller et al.
D840,355 S	2/2019	Simon	2008/0014011 A1	1/2008	Rossen
D848,398 S	5/2019	Huang	2008/0183252 A1	7/2008	Khen
D849,260 S	5/2019	Wersland et al.	2009/0270915 A1	10/2009	Tsai et al.
D850,639 S	6/2019	Wersland et al.	2010/0137907 A1	6/2010	Tsai
D850,640 S	6/2019	Wersland et al.	2014/0031866 A1	1/2014	Fuhr et al.
10,314,762 B1	6/2019	Marton et al.	2015/0005682 A1	1/2015	Danby et al.
10,357,425 B2	7/2019	Wersland et al.	2015/0107383 A1	4/2015	Duesselberg et al.
D855,822 S	8/2019	Marton	2015/0182415 A1	7/2015	Olkowski et al.
D857,650 S	8/2019	Hardi	2016/0354277 A1	12/2016	Fima
D859,680 S *	9/2019	Wersland ..... D24/211	2016/0367425 A1	12/2016	Wersland
D867,342 S	11/2019	Afshar Bakooshli	2017/0304145 A1	10/2017	Pepe
10,485,731 B2	11/2019	Babiuk	2018/0008512 A1	1/2018	Goldstein
10,492,984 B2	12/2019	Marton et al.	2018/0168913 A1	6/2018	Sedic
D873,432 S	1/2020	Duan	2018/0200141 A1	7/2018	Wersland et al.
D874,015 S	1/2020	Marton	2018/0263845 A1	9/2018	Wersland et al.
10,561,574 B1	2/2020	Marton et al.	2018/0320732 A1	11/2018	Kim
D886,317 S	6/2020	Marton	2018/0353369 A1	12/2018	Newns et al.
D890,353 S	7/2020	Nazarian	2019/0015294 A1	1/2019	Nazarian et al.
D890,942 S *	7/2020	Wersland ..... D24/211	2019/0175434 A1	6/2019	Zhang
D890,943 S *	7/2020	Wersland ..... D24/211	2019/0209424 A1	7/2019	Wersland et al.
10,702,448 B2	7/2020	Wersland et al.	2019/0232403 A1	8/2019	Candelaria
D893,738 S	8/2020	Zhuang	2019/0254921 A1	8/2019	Marton et al.
D895,133 S	9/2020	Xu	2019/0350793 A1	11/2019	Wersland et al.
D895,135 S	9/2020	Xu	2020/0046604 A1	2/2020	Danby et al.
D895,402 S	9/2020	Hung	2020/0085675 A1	3/2020	Lee et al.
D895,828 S	9/2020	Marshall	2020/0110526 A1	4/2020	Ano et al.
D895,831 S	9/2020	Chen	2020/0170871 A1	6/2020	Lukinuk et al.
D896,393 S *	9/2020	Wersland ..... D24/211	2020/0214930 A1	7/2020	Wersland et al.
D898,933 S	10/2020	Xu	2020/0261307 A1	8/2020	Wersland et al.
D905,863 S	12/2020	Lin	2020/0261310 A1	8/2020	Wersland et al.
D906,533 S	12/2020	Xu	2020/0268594 A1	8/2020	Pepe
D907,792 S	1/2021	Marton et al.	2020/0276079 A1	9/2020	Cheng
D908,235 S	1/2021	Marton et al.	2020/0289365 A1	9/2020	Wersland et al.
D910,870 S	2/2021	Marton et al.	2020/0330321 A1	10/2020	Wersland et al.
D917,060 S	4/2021	Hu	2020/0352820 A1	11/2020	Nazarian et al.
D918,404 S *	5/2021	Wersland ..... D24/211	2020/0352821 A1	11/2020	Wersland et al.
D918,405 S *	5/2021	Wersland ..... D24/211	2020/0390644 A1	12/2020	Yang
D918,408 S	5/2021	Huang	2020/0393026 A1	12/2020	Chang
10,993,874 B1	5/2021	Marton et al.	2020/0405574 A1	12/2020	Wersland et al.
D920,944 S	6/2021	Paterson	2021/0003168 A1	1/2021	Cong
D924,422 S	7/2021	Huang	2021/0022951 A1	1/2021	Hu
D927,716 S *	8/2021	Wersland ..... D24/215	2021/0022955 A1	1/2021	Wersland
D927,717 S *	8/2021	Wersland ..... D24/215	2021/0059898 A1	3/2021	Wersland et al.
D931,492 S	9/2021	Li	2021/0113421 A1	4/2021	Chuang
D935,403 S	11/2021	Wu	2021/0128402 A1	5/2021	Dai et al.
D935,404 S	11/2021	Wu	2021/0137779 A1	5/2021	Ayu et al.
D938,056 S	12/2021	Wu	2021/0196562 A1	7/2021	Zhao
D940,892 S	1/2022	Shen	2021/0244610 A1	8/2021	Wersland et al.
D941,145 S *	1/2022	Wang ..... D9/454	2021/0322257 A1	10/2021	Lee
11,253,423 B1	2/2022	Williams	2021/0369549 A1	12/2021	Almodovar
D949,365 S	4/2022	Li	2022/0096320 A1	3/2022	Lu
D949,366 S	4/2022	Li	2022/0154764 A1	5/2022	Yamashita
			2022/0168175 A1	6/2022	Tang

(56)

**References Cited**

U.S. PATENT DOCUMENTS

2022/0168177 A1 6/2022 Vierheller  
2022/0211575 A1 7/2022 Wersland

FOREIGN PATENT DOCUMENTS

CN	202536467	U	11/2012
CN	205268525	U	6/2016
CN	206381369	U	8/2017
CN	208130157	U	11/2018
CN	306178047		11/2020
CN	212749648	U	3/2021
CN	2020305792978		3/2021
CN	2021302494257		8/2021
KR	102249761	B1	5/2021
TM	D207405		9/2020
TW	M511855	U	11/2015
TW	M543692	U	6/2017
TW	D207405		9/2020
WO	WO2022149067		7/2022

OTHER PUBLICATIONS

English translation for CN 212749648 from Espacenet on Jul. 18, 2022 (year 2021).

English translation for KR 102249761, translated by espacenet.com, translated on Oct. 31, 2022.

Youtube,, “ShoDuo Absorption & Reverberation Massage Head”, Published Date: Sep. 26, 2022. <https://www.youtube.com/watch?v=OW6z6eYNo4o> (Year: 2022).

amazon.com; Massage Gun Massage Gun—Massage Pulse Mini Muscle Massage Gun; Apr. 28, 2022; 2 pgs.

AliExpress.com; Portable Massage Gun Deep Tissue Percussion Muscle Massager For Pain; retrieved on Nov. 22, 2022; 1 pg.

amazon.com; Mebak 3 Massage Gun Muscle Massager Electric Hand Massager, May 22, 2020; 3 pgs.

Flyby—Massage gun. Date: Aug. 11, 2020. [online]. [Site visited Dec. 1, 2022]. Available from Internet URL: [www.youtube.com/watch?v=GYvuNuif8Bc](http://www.youtube.com/watch?v=GYvuNuif8Bc) (Year: 2020).

Massage guns. (Design—© Questel) orbit.com. [Online PDF compilation of references] 50 pgs. Print Dates Range Apr. 28, 2020-Mar. 11, 2022 [Retrieved Dec. 2, 2022] <https://www.orbit.com/export/UCZAH96B/pdf4/e6b9a3b3-195c-4fbc-87b2-0eaa315609e-165234.pdf> (Year: 2022).

HP Race Development—Titanium connecting rods. Date: Apr. 30, 2021. [online]. [Site visited Dec. 15, 2022]. Available from Internet URL: <https://www.hpracedevelopment.com/news/titanium-connecting-rods-now-available-all-current-250f-models/> (Year: 2021).

Toloco Massage Gun, upgrade Percussion Muscle Massage Gun for Athletes, Handheld Deep Tissue Massager Black), [retrieved on Oct. 29, 2021], 10 pp., Retrieved from the Internet: [https://www.amazon.com/TOLOCO-massage-Gun-Upgraded-Brushless/dp/B083L8RNJR/ref=sr\\_1\\_1\\_sspa?dchild=1&keywords=Massage%2Bgun&qid=1635272886&sr=8-1-spons&spLa=ZW5jcnlwdGVkUXVhbGlmaWVyPUFETDEwSENOVDg4SzgmZW5jcnlwdGVkSWQ9QTAyOTUZNTMxN](https://www.amazon.com/TOLOCO-massage-Gun-Upgraded-Brushless/dp/B083L8RNJR/ref=sr_1_1_sspa?dchild=1&keywords=Massage%2Bgun&qid=1635272886&sr=8-1-spons&spLa=ZW5jcnlwdGVkUXVhbGlmaWVyPUFETDEwSENOVDg4SzgmZW5jcnlwdGVkSWQ9QTAyOTUZNTMxN).

Massage Gun Deep Tissue, Muscle Percussion Back Neck Head Handheld Hammer Massager for Athletes, 30 speed Level, LED Touch Screen, Long Battery Life with 10 Heads, [retrieved on Oct. 29, 21], 9 pp., Retrieved from the Internet: [https://www.amazon.com/Massage-Percussion-Handheld-massager-Athletes/dp/B08QJNVP6F/ref=sr\\_1\\_4\\_sspa?dchild=1&keywords=Massage+gun&qid=1635272918&sr=8-4-spons&psc=1&spLa=ZW5jcnlwdGVkUXVhbGlmaWVyPUFETDEwSENOVDg4SzgmZW5jcnlwdGVkSWQ9QTA3MTI5MN](https://www.amazon.com/Massage-Percussion-Handheld-massager-Athletes/dp/B08QJNVP6F/ref=sr_1_4_sspa?dchild=1&keywords=Massage+gun&qid=1635272918&sr=8-4-spons&psc=1&spLa=ZW5jcnlwdGVkUXVhbGlmaWVyPUFETDEwSENOVDg4SzgmZW5jcnlwdGVkSWQ9QTA3MTI5MN).

\* cited by examiner

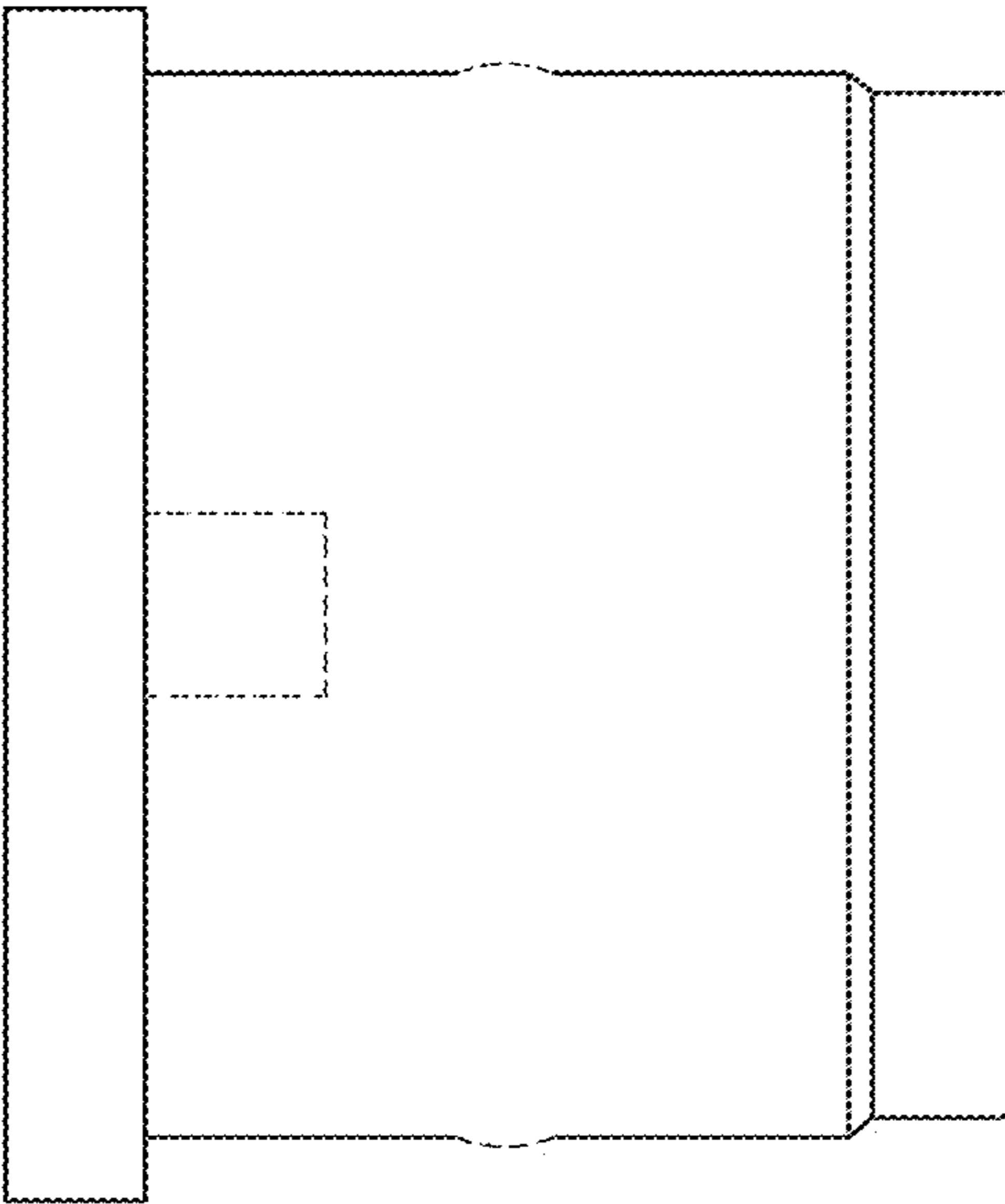


FIG. 1

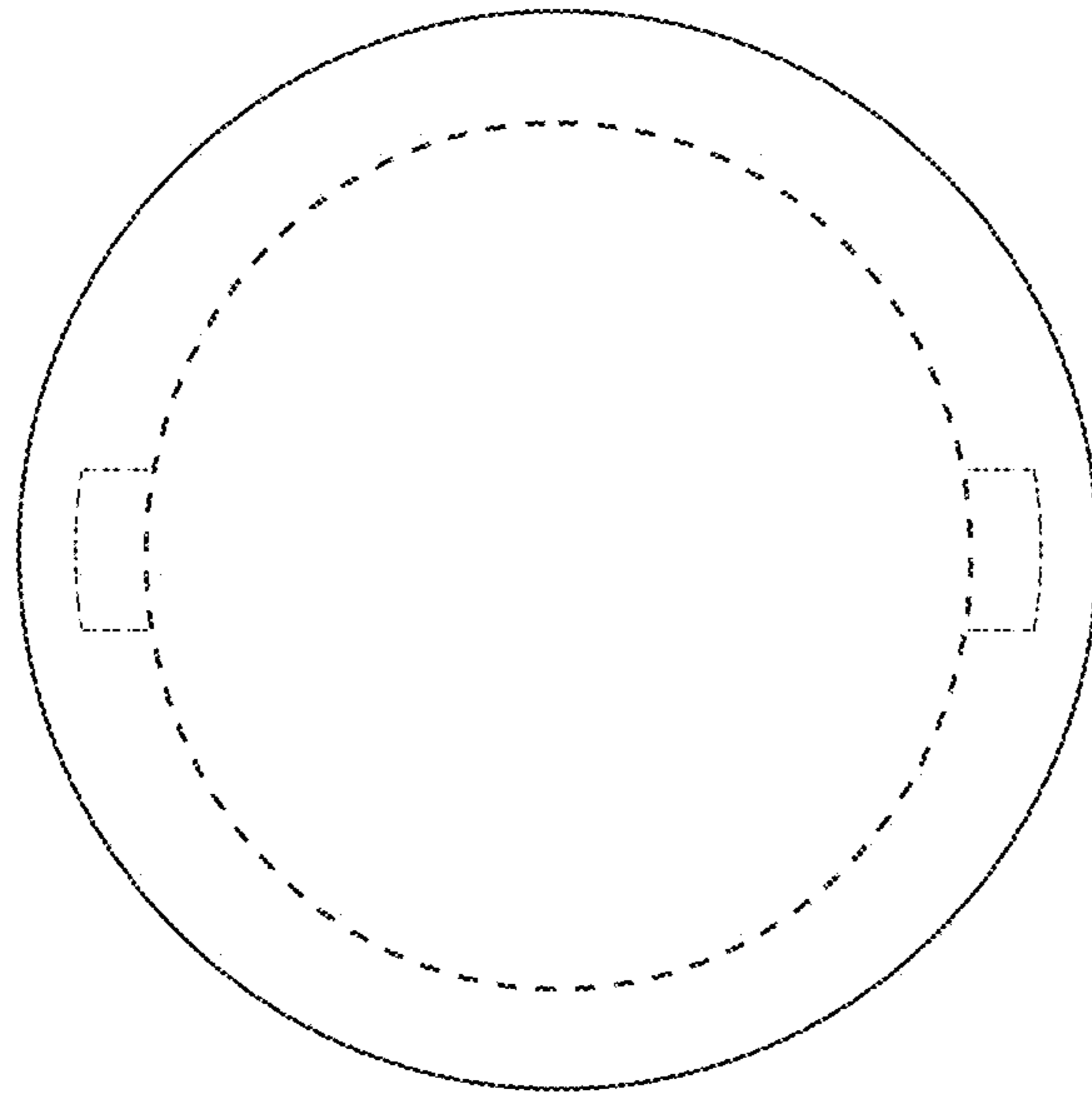


FIG. 2

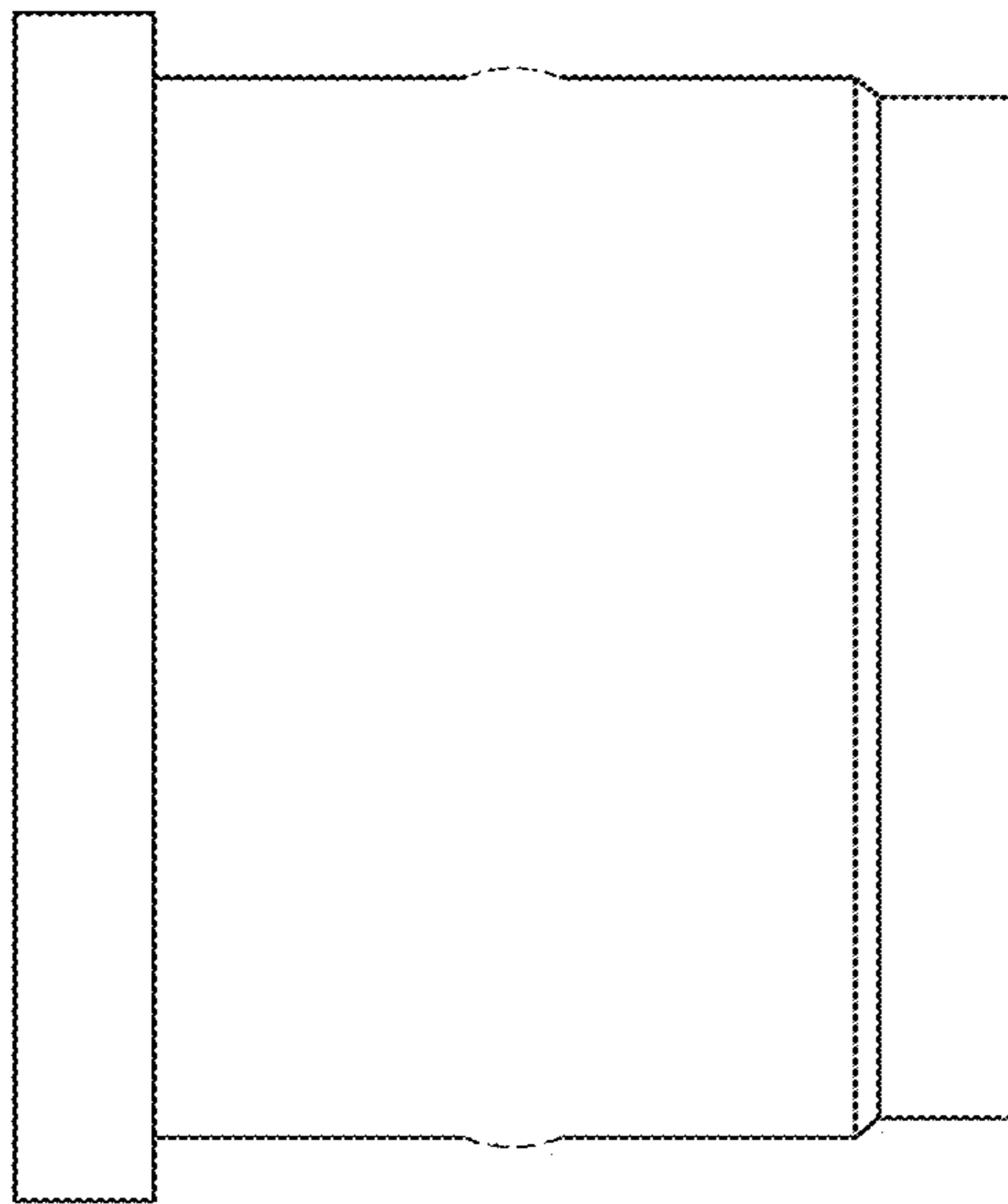


FIG. 3

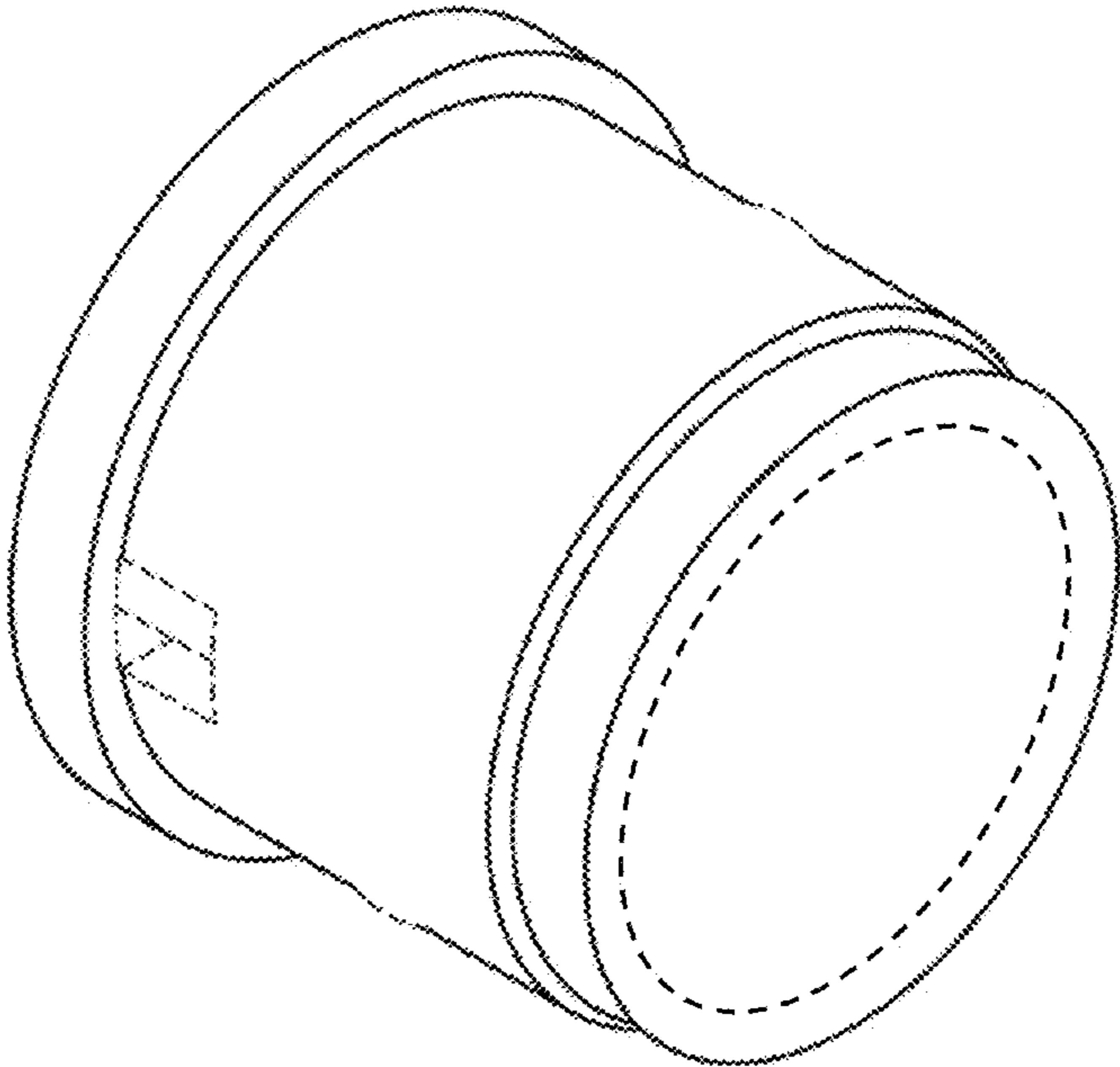


FIG. 4