



US00D998742S

(12) **United States Design Patent**
Zimmer et al.

(10) **Patent No.:** **US D998,742 S**

(45) **Date of Patent:** **** Sep. 12, 2023**

(54) **RUGER AMERICAN 7.62×39 MAGAZINE WELL**

(71) Applicants: **Noah Zimmer**, Tucson, AZ (US);
Ronald Rocky Parkerton, Tucson, AZ (US)

(72) Inventors: **Noah Zimmer**, Tucson, AZ (US);
Ronald Rocky Parkerton, Tucson, AZ (US)

(**) Term: **15 Years**

(21) Appl. No.: **29/876,183**

(22) Filed: **May 17, 2023**

(51) **LOC (14) Cl.** **22-01**

(52) **U.S. Cl.**
USPC **D22/108**

(58) **Field of Classification Search**
USPC D22/103, 108
CPC F41A 11/02; F41A 17/38; F41A 3/66
See application file for complete search history.

(56) **References Cited**

U.S. PATENT DOCUMENTS

4,638,581 A	1/1987	Moore	
D751,165 S *	3/2016	Miller	D22/108
D752,698 S *	3/2016	Miller	D22/108
D967,324 S	10/2022	Gong	
2011/0094136 A1 *	4/2011	Zimmerman	B21C 23/14 42/6
2012/0255209 A1 *	10/2012	Klassen	F41A 9/71 42/6
2015/0068096 A1	3/2015	Addis	

2017/0030667 A1 *	2/2017	Eitan	F41A 19/11
2019/0212085 A1 *	7/2019	Wilkinson	F41A 3/66
2020/0271403 A1 *	8/2020	Ives	F41A 3/66
2022/0299284 A1	9/2022	Tasyagan	
2023/0019581 A1 *	1/2023	Benedict	F41A 17/38

FOREIGN PATENT DOCUMENTS

WO DM223941 10/2022

* cited by examiner

Primary Examiner — Michael A. Pratt

(57) **CLAIM**

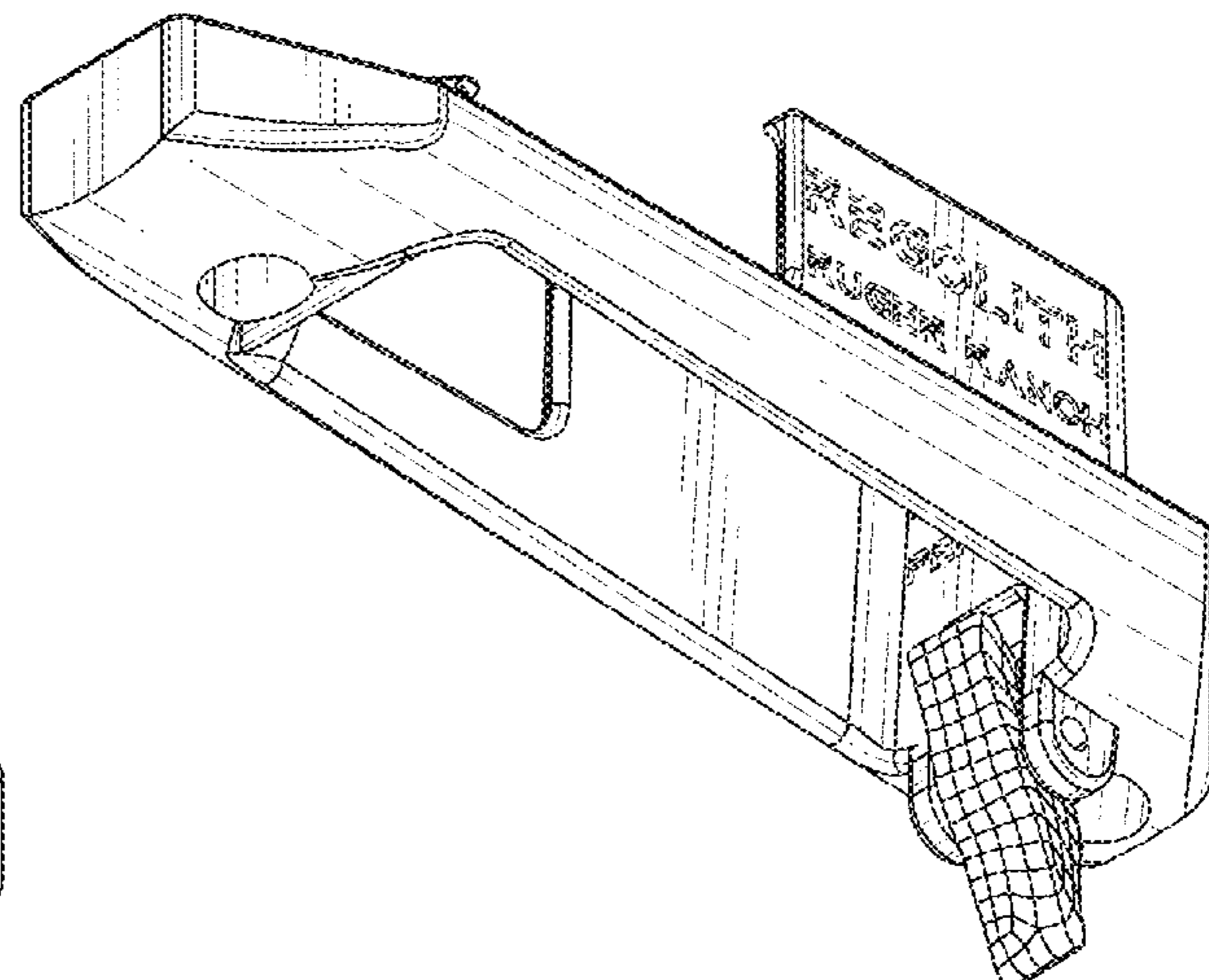
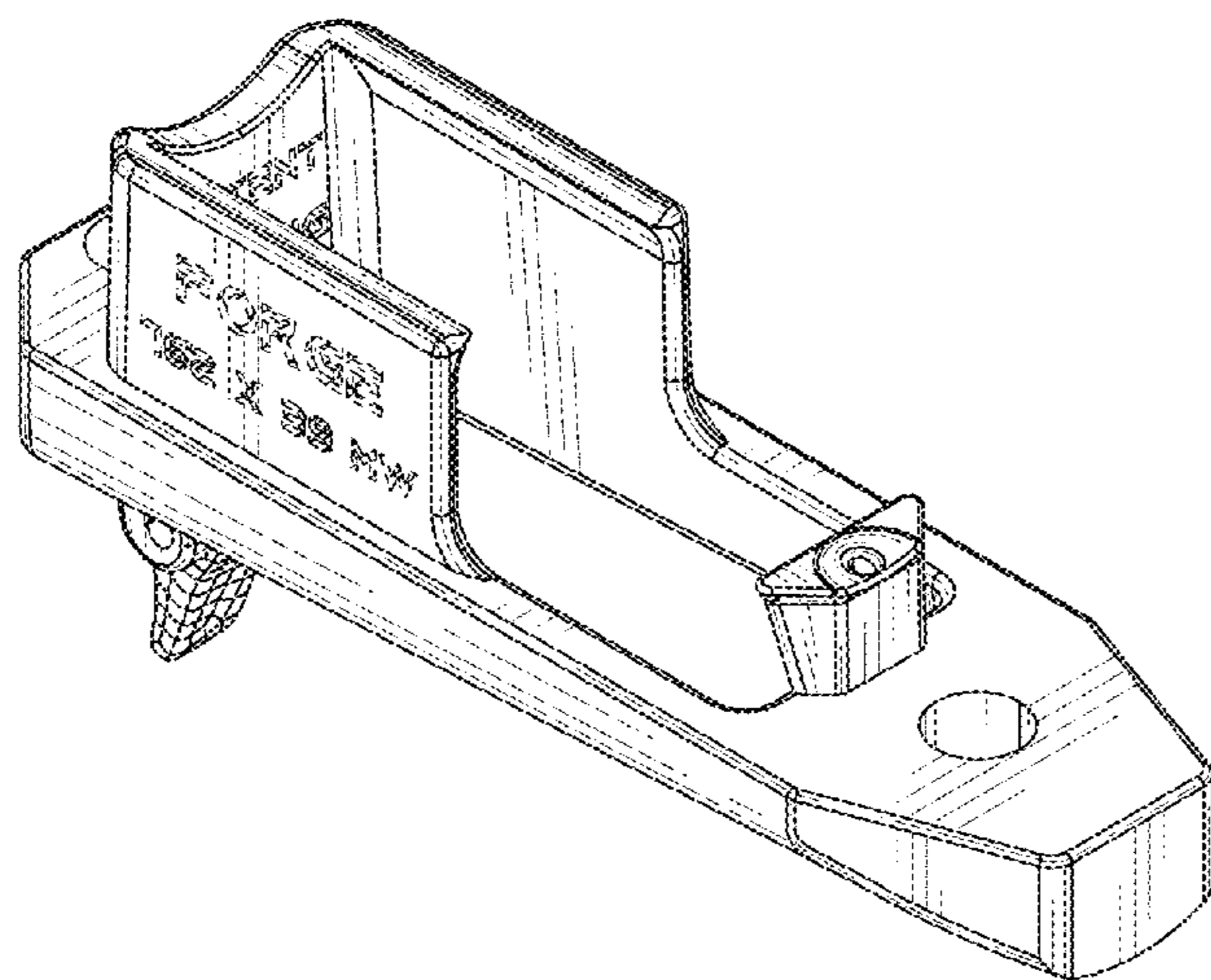
The ornamental design for a Ruger American 7.62×39 magazine well, as shown and described.

DESCRIPTION

FIG. 1 is a top front right perspective view of a Ruger American 7.62×39 magazine well showing my new design; FIG. 2 is a bottom front left perspective view thereof; FIG. 3 is a top rear left perspective view thereof; FIG. 4 is a bottom rear right perspective view thereof; FIG. 5 is a front elevational view thereof; FIG. 6 is a rear elevational view thereof; FIG. 7 is a right elevational view thereof; FIG. 8 is a left elevational view thereof; FIG. 9 is a top plan view thereof; FIG. 10 is a bottom plan view thereof; and, FIG. 11 is a cross-sectional view taken along line 11-11 in FIG. 6.

The broken line showing engraved lettering in FIGS. 1-5, 7, and 8 is included for the purpose of illustrating environmental structure and forms no part of the claimed design.

1 Claim, 11 Drawing Sheets



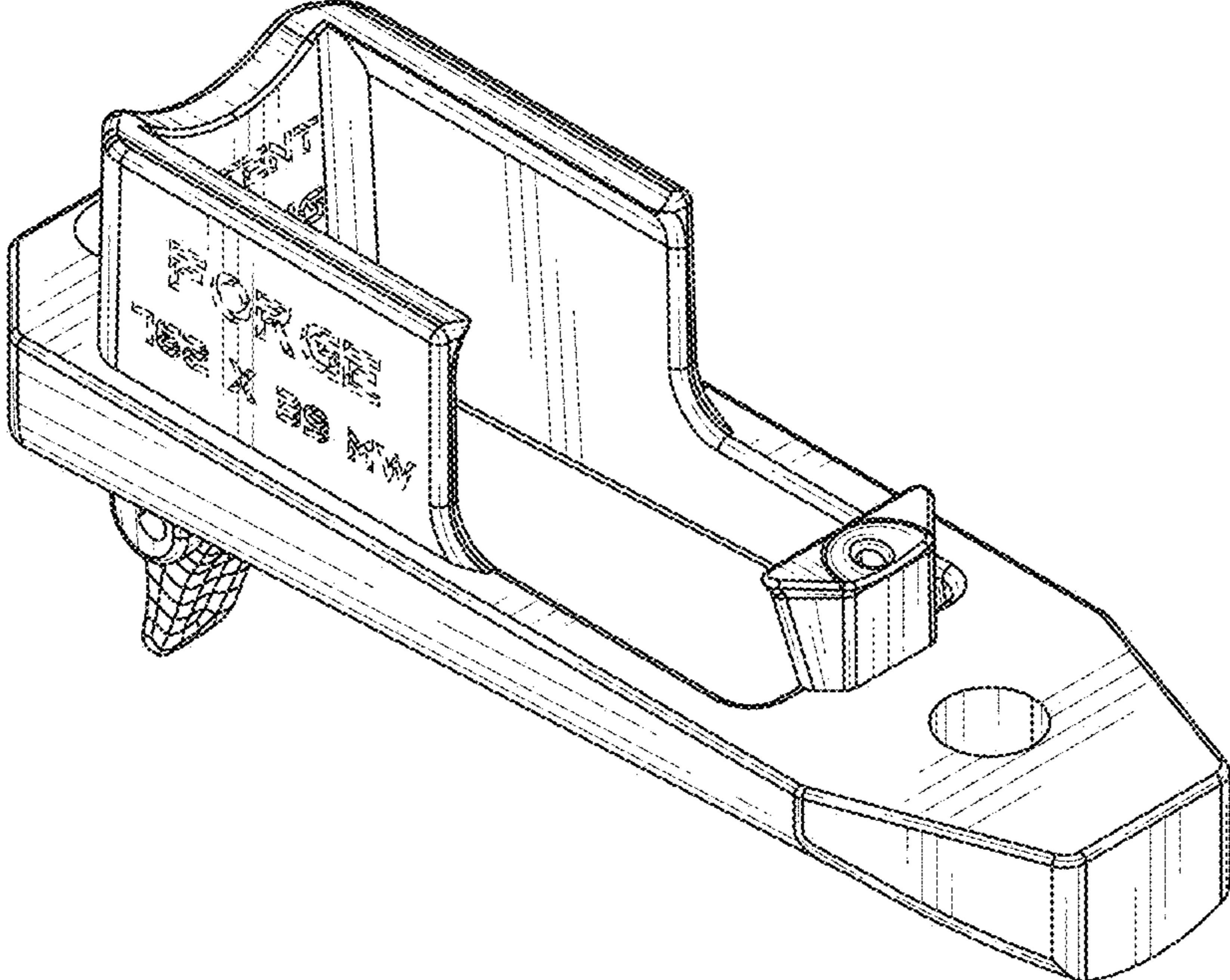


FIG. 1

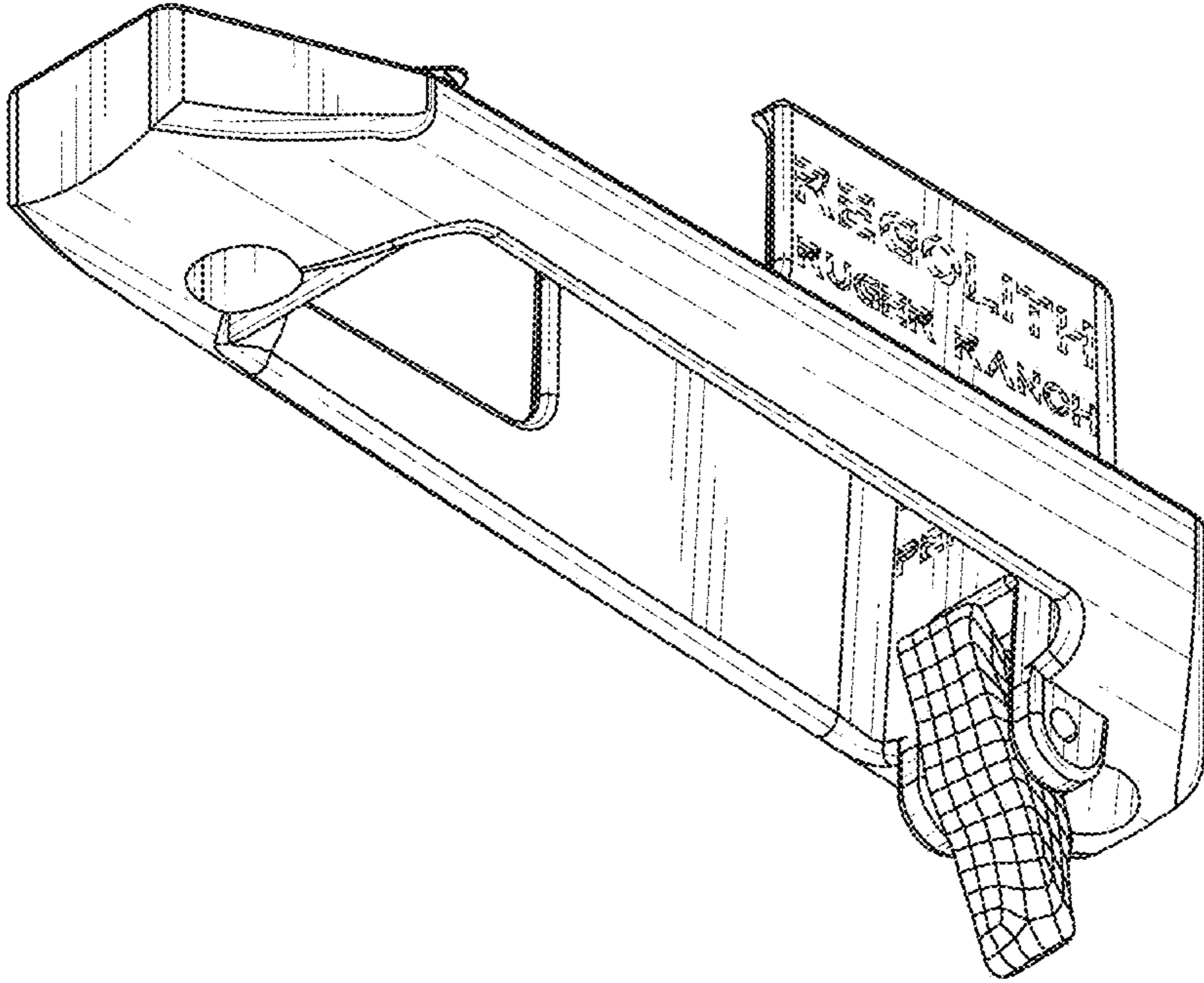


FIG. 2

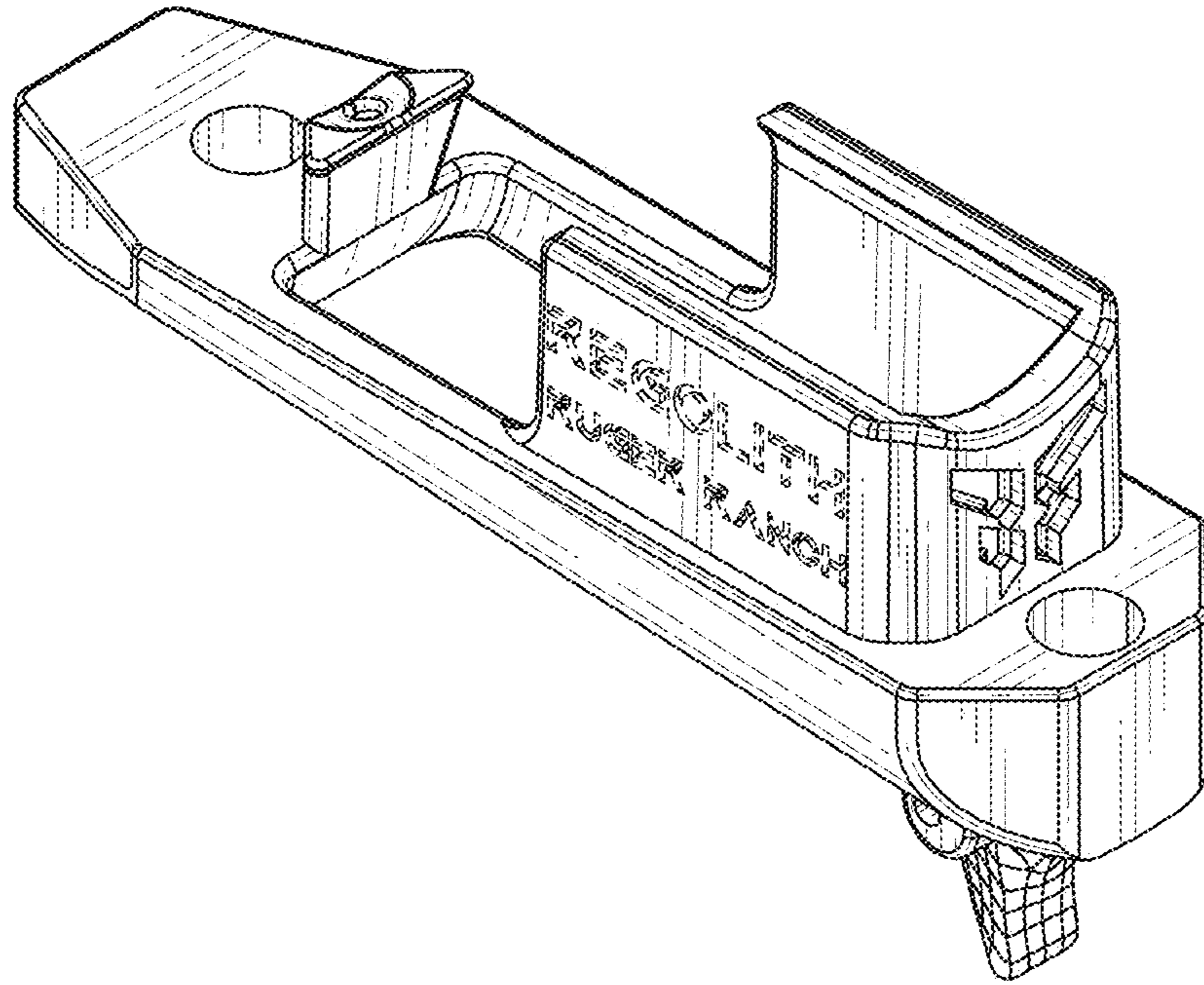


FIG. 3

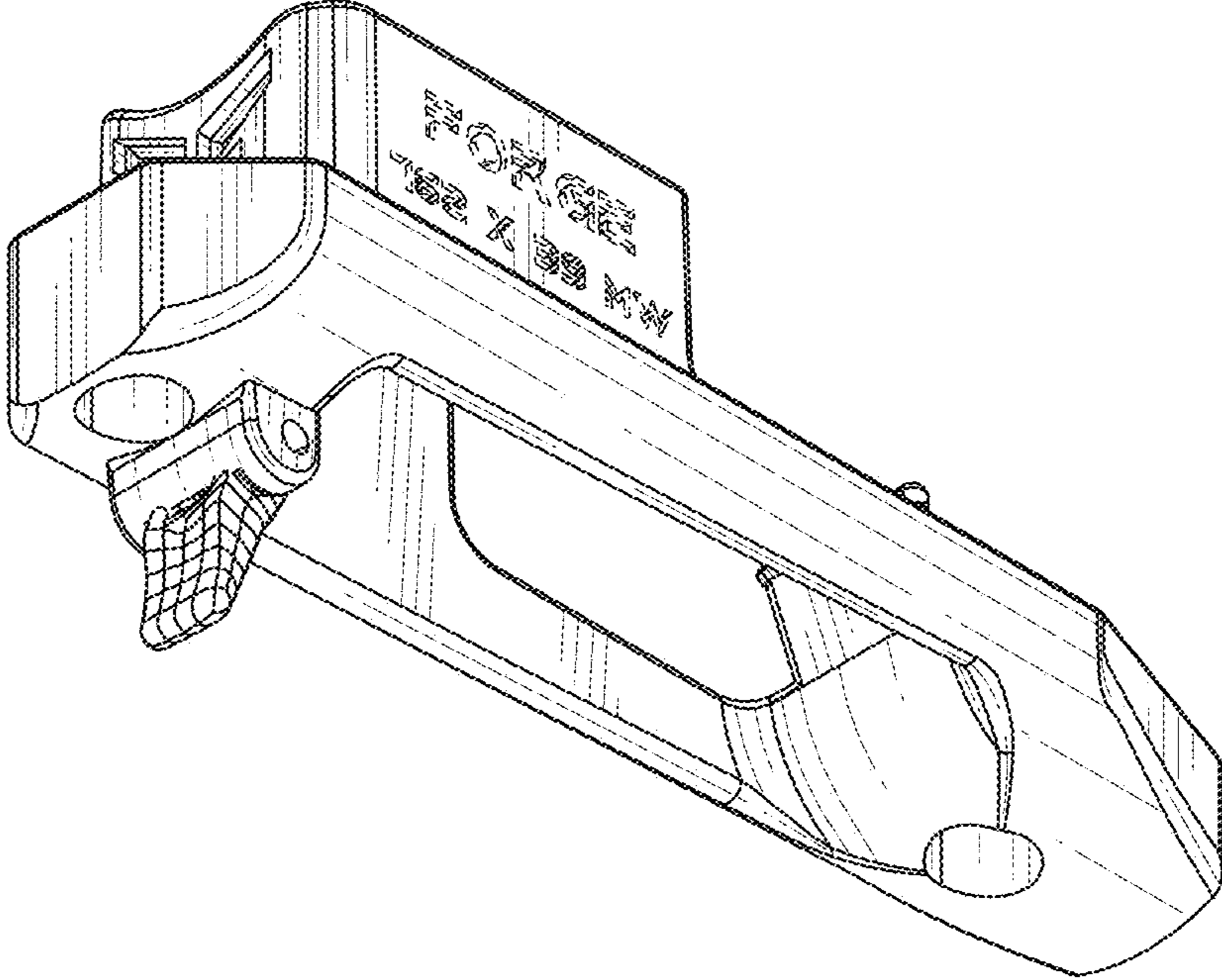


FIG. 4

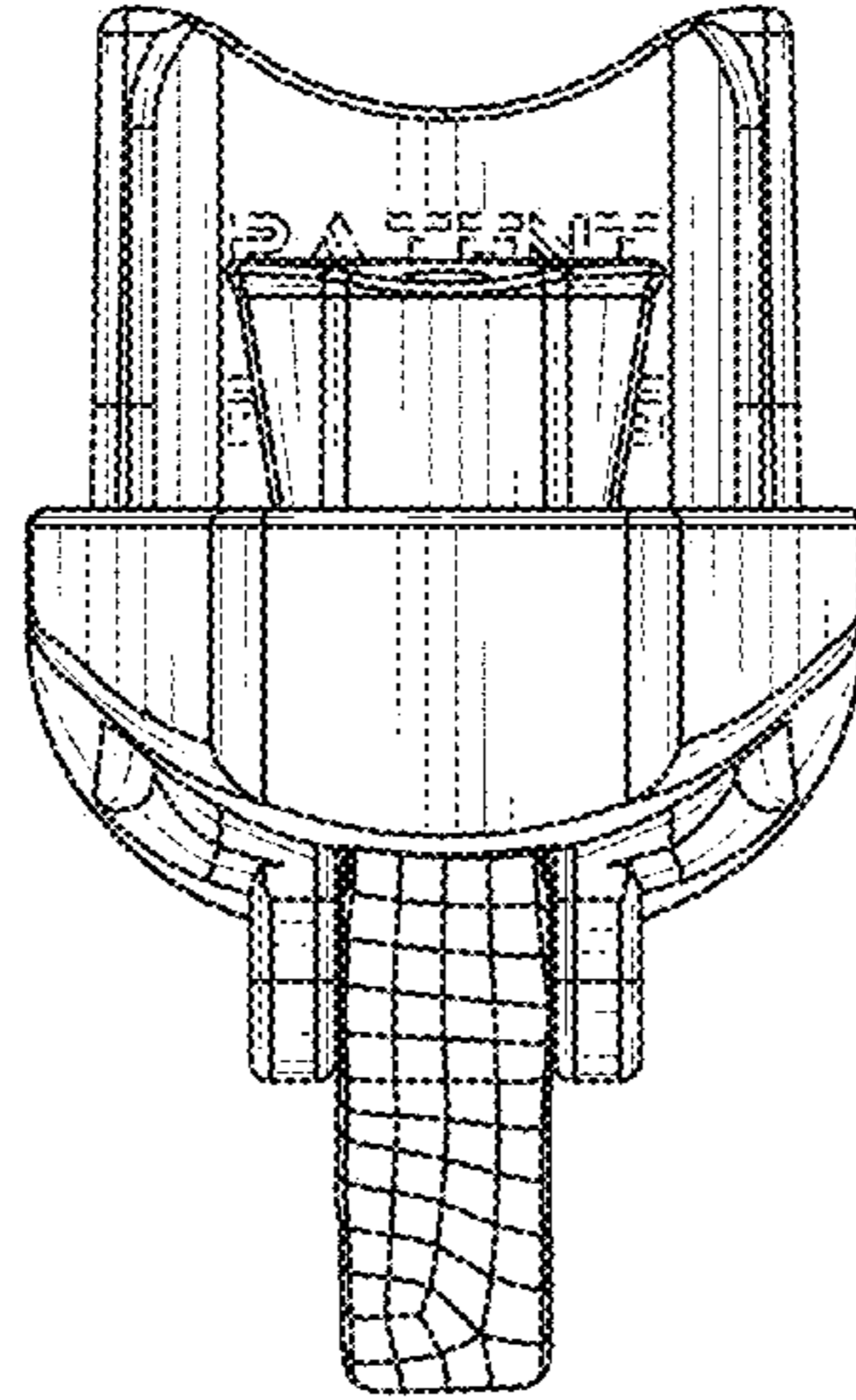


FIG. 5

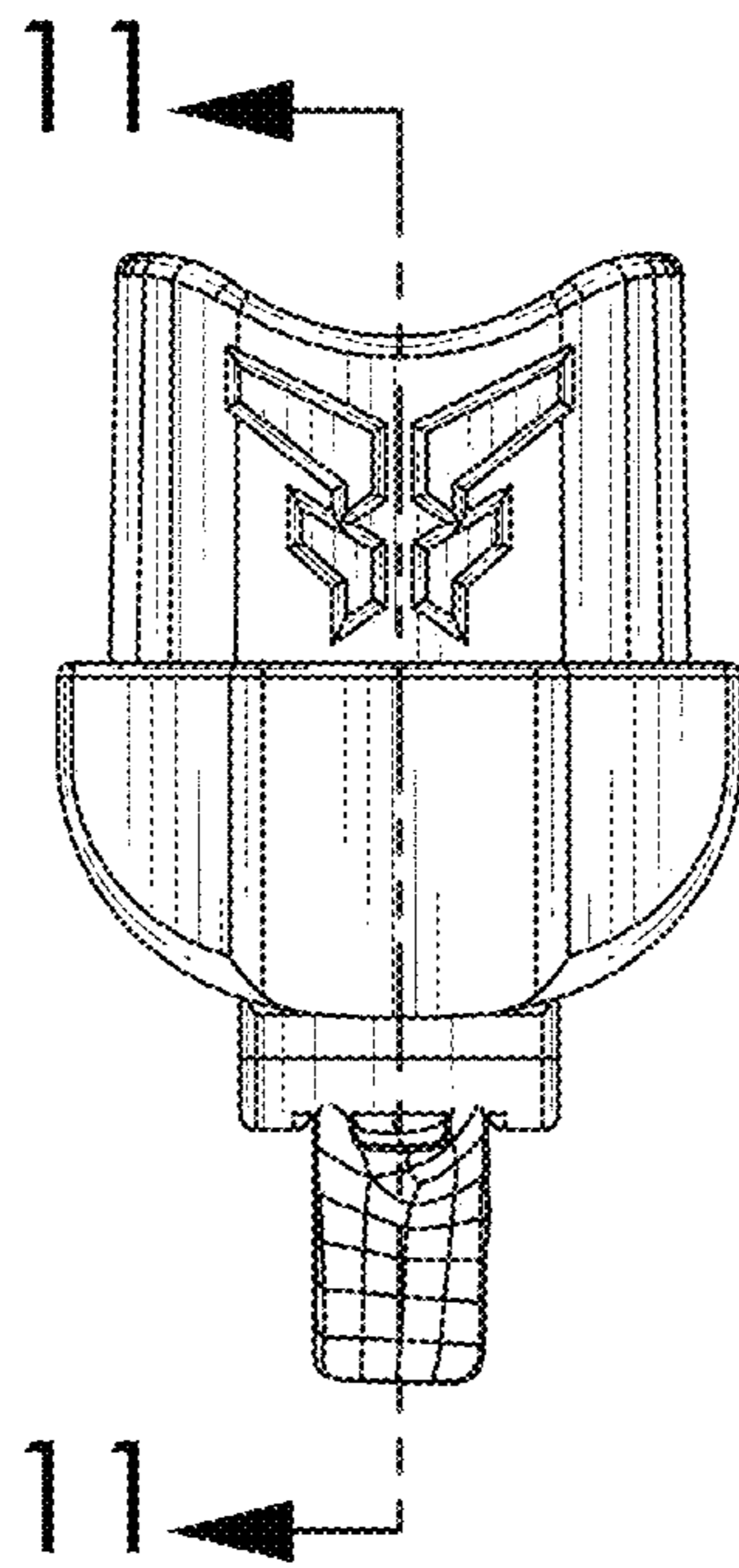


FIG. 6

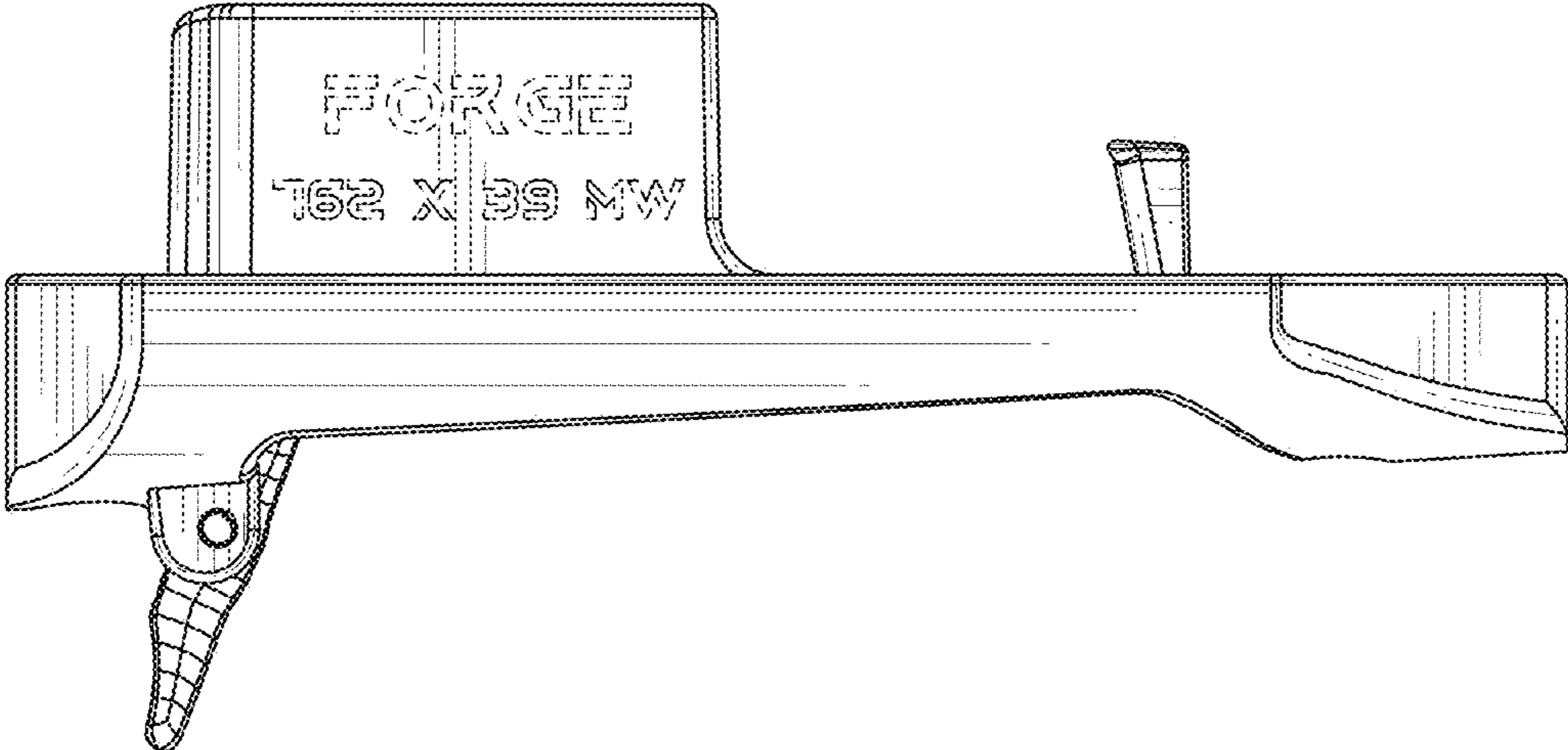


FIG. 7

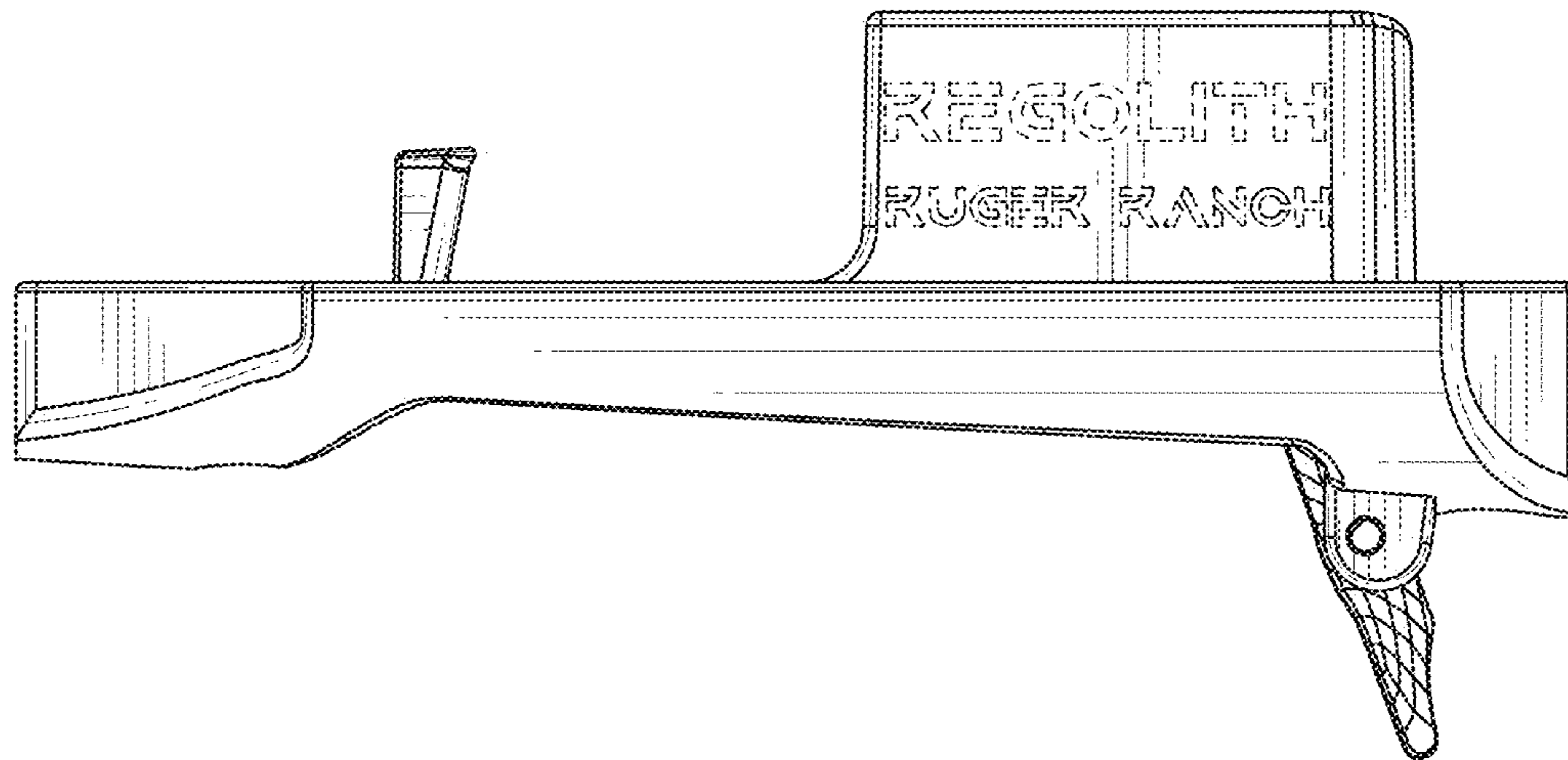


FIG. 8

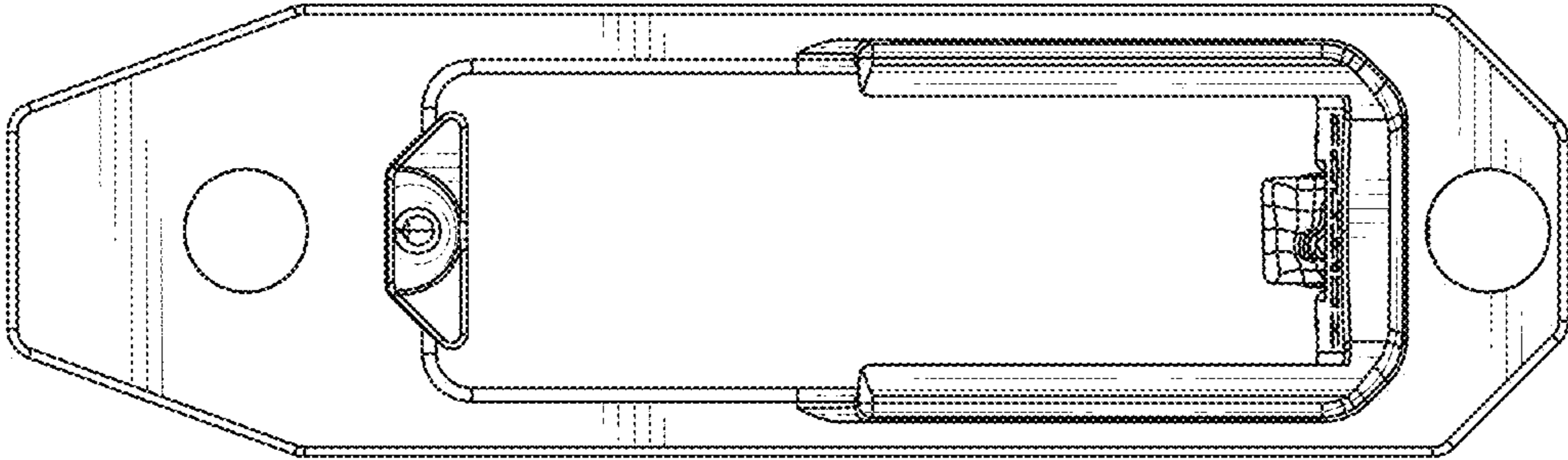


FIG. 9

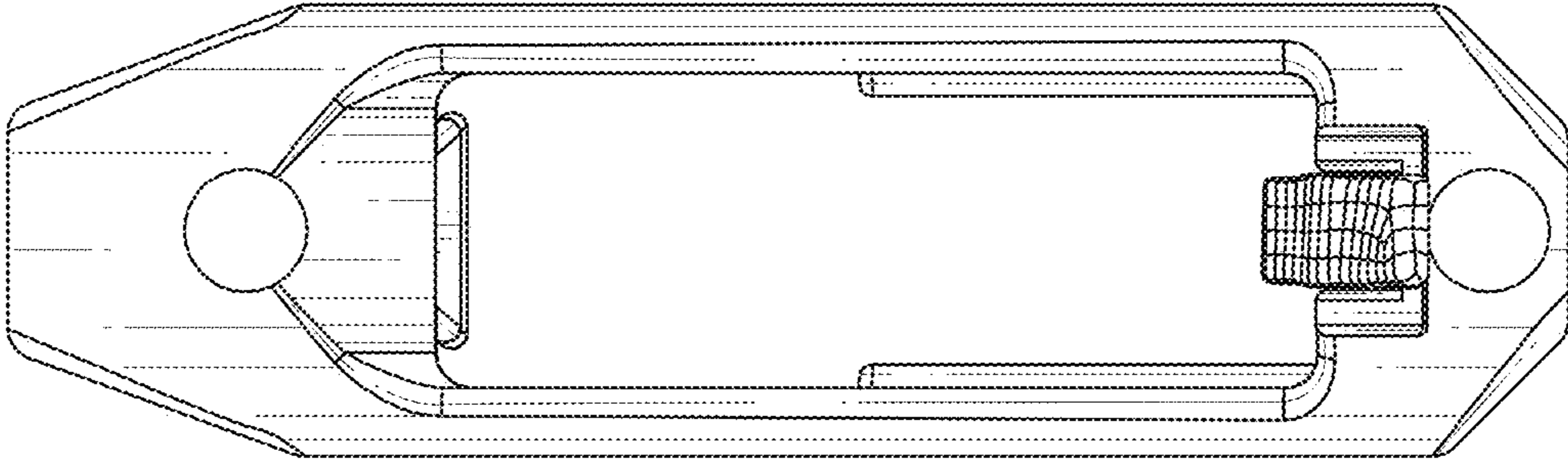


FIG. 10

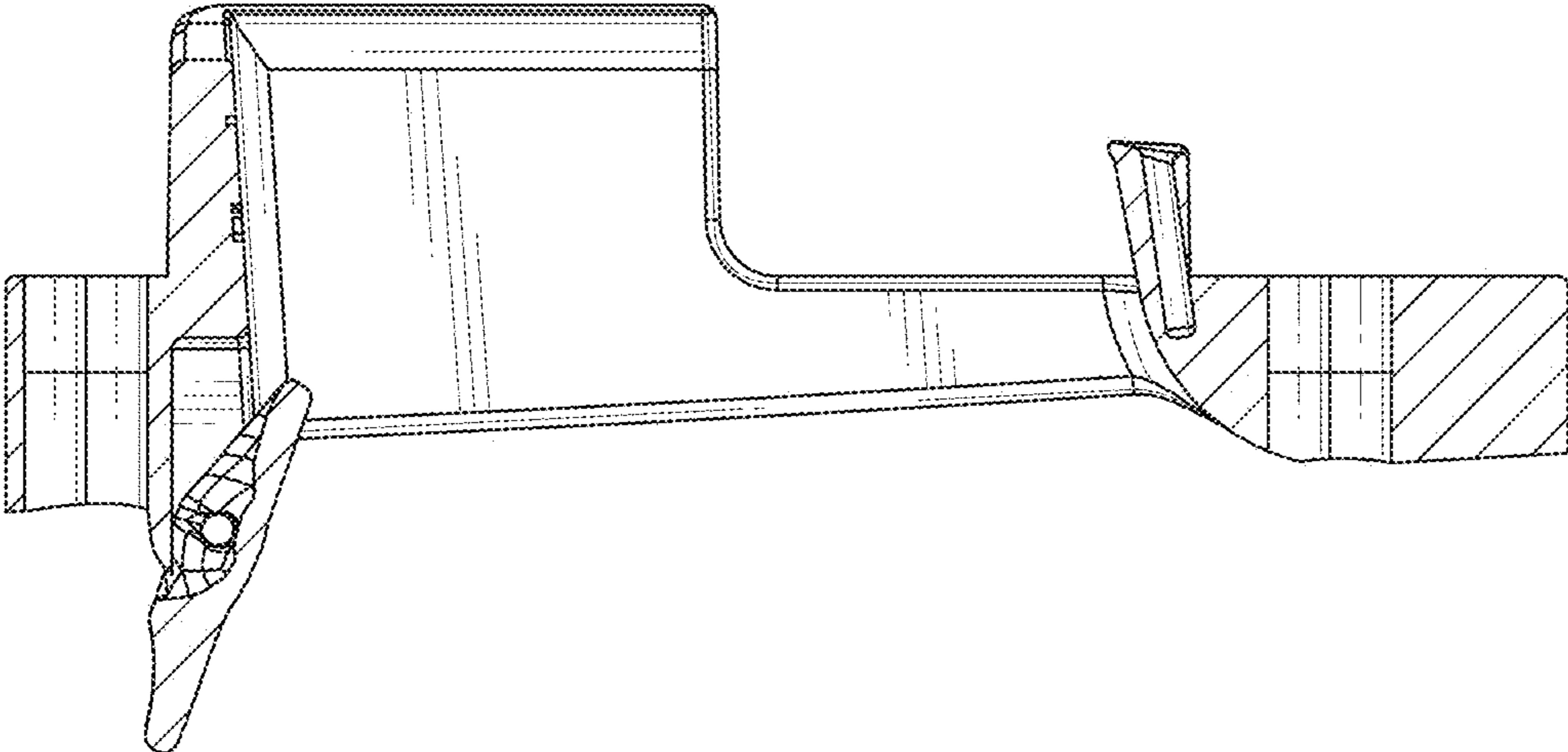


FIG. 11