



US00D998720S

(12) **United States Design Patent** (10) **Patent No.:** **US D998,720 S**
Sprowl et al. (45) **Date of Patent:** **** Sep. 12, 2023**

(54) **MODEL VEHICLE LIGHT ASSEMBLY**

FOREIGN PATENT DOCUMENTS

(71) Applicant: **TRAXXAS, L.P.**, McKinney, TX (US)
(72) Inventors: **Jory Sprowl**, Honey Grove, TX (US);
Adam Cole Ewing, McKinney, TX (US); **Randy Perez**, McKinney, TX (US); **Terry Soward**, Van Alstyne, TX (US); **Otto Karl Allmendinger**, Rowlett, TX (US); **Kent Poteet**, Lucas, TX (US)

CN 304466696 1/2018
CN 305108886 4/2019
DE 402017100863-0007 7/2018
EM 008468474-0002 3/2021

(Continued)

(73) Assignee: **TRAXXAS, L.P.**, McKinney, TX (US)

(**) Term: **15 Years**

(21) Appl. No.: **29/811,192**

(22) Filed: **Oct. 12, 2021**

(51) **LOC (14) Cl.** **21-01**

(52) **U.S. Cl.**
USPC **D21/548**; D21/561

(58) **Field of Classification Search**
USPC D26/28; D12/159, 163, 164, 170, 171,
D12/172; D21/453, 495, 548, 552, 561,
D21/562, 565

CPC B60R 1/06; B60R 1/1207; A63H 17/262;
A63H 17/002; A63H 19/20

See application file for complete search history.

(56) **References Cited**

U.S. PATENT DOCUMENTS

1,355,592 A 10/1920 Graw
1,414,382 A 5/1922 Stafford
1,427,624 A 8/1922 Newton
1,448,504 A 3/1923 Plante
1,464,321 A 8/1923 Koester et al.
1,468,868 A 9/1923 Reichstetter, Jr. et al.
1,487,352 A 3/1924 Nelson
1,494,867 A 5/1924 Rahe
1,509,394 A 9/1924 Cox
1,534,760 A 4/1925 Blackmore
1,633,603 A 6/1927 Spencer
1,655,978 A 1/1928 Vella

(Continued)

OTHER PUBLICATIONS

Traxxas Bumper Front with LED Model #6797, Traxxas Webpage [online], [Site Visit Jun. 8, 2023], URL: <https://traxxas.com/products/parts/6797> (Year: 2023).

(Continued)

Primary Examiner — Gino Colan
Assistant Examiner — Gregory G McLemore
(74) *Attorney, Agent, or Firm* — Daryl R. Wright; Greg Carr

(57) **CLAIM**

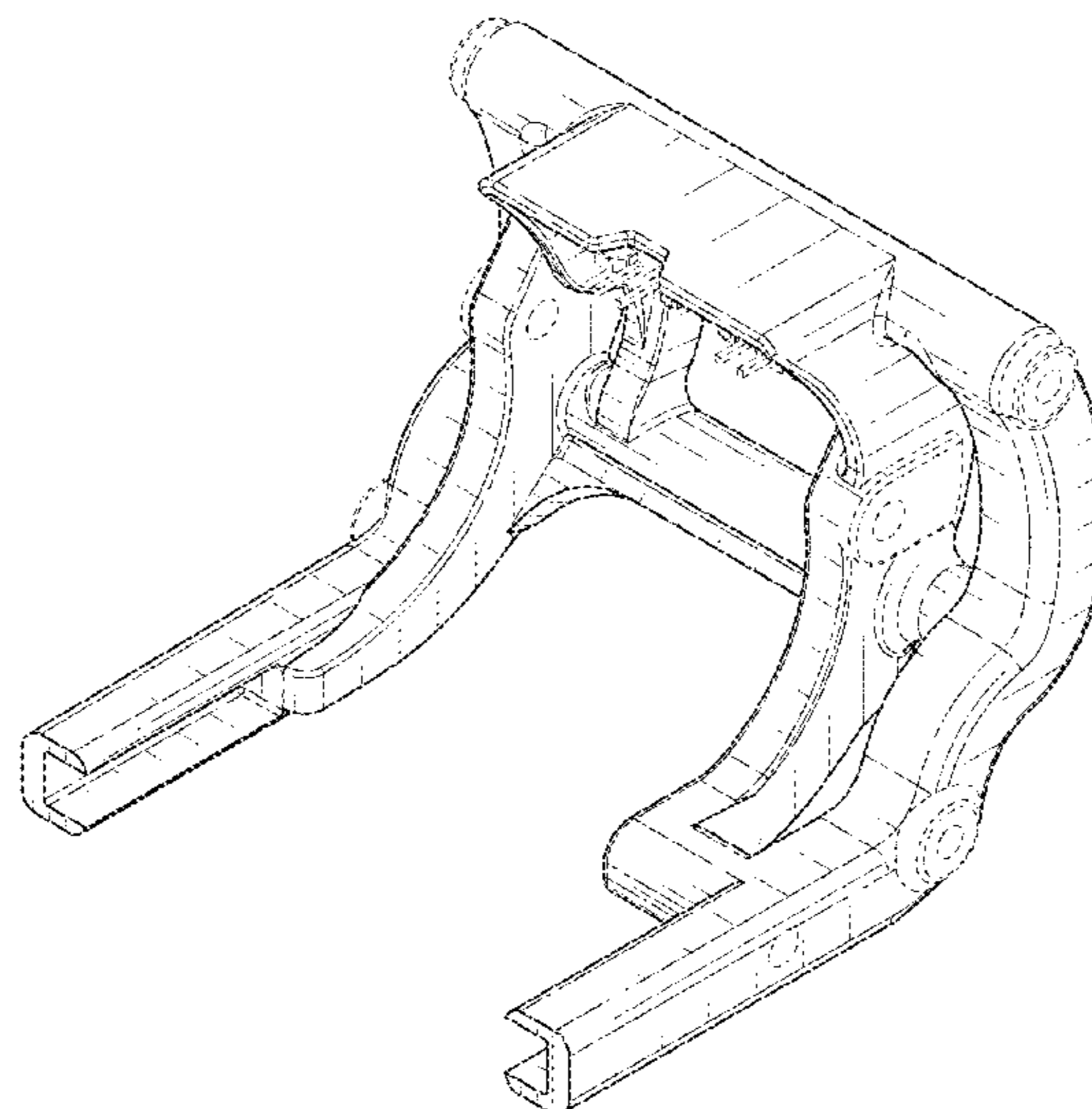
We claim the ornamental design for a model vehicle light assembly, as shown and described.

DESCRIPTION

FIG. 1 is an upper, left, front perspective view of a model vehicle light assembly showing our new design; FIG. 2 is a rear elevation view thereof; FIG. 3 is a front elevation view thereof; FIG. 4 is a left side elevation view thereof; FIG. 5 is a right side elevation view thereof; FIG. 6 is an upper plan view thereof; FIG. 7 is a lower plan view thereof; FIG. 8 is a lower, right, rear perspective view thereof; and, FIG. 9 is an upper, left, rear perspective view of the model vehicle light assembly.

In the drawings, the broken lines illustrate portions of the model vehicle light assembly that form no part of the claimed design.

1 Claim, 7 Drawing Sheets



(56)

References Cited

U.S. PATENT DOCUMENTS

1,729,731	A	10/1929	Vidach	D697,842	S	1/2014	Harriton
1,836,610	A	12/1931	McMurdo	D699,640	S	2/2014	Duderstadt
1,867,708	A	7/1932	Paton	D704,107	S	5/2014	Peltola et al.
1,982,775	A	12/1934	Williams	D713,305	S	9/2014	Sperling et al.
2,038,964	A	4/1936	Smith	D716,201	S	10/2014	Ewing et al.
2,144,357	A	1/1939	Booharin	D722,927	S	2/2015	Schroeder et al.
2,146,642	A	2/1939	Mueth	D726,605	S	4/2015	Schroeder
2,227,560	A	1/1941	Szabo	D728,038	S	4/2015	Ewing et al.
2,236,507	A	4/1941	Kreits	D737,181	S	8/2015	Smith et al.
D160,661	S	12/1949	Ross	D737,724	S	9/2015	Schroeder et al.
2,502,483	A	4/1950	Sauer et al.	D737,739	S	9/2015	Hanson et al.
2,604,349	A	7/1952	Martinetz	D740,730	S	10/2015	Peltola et al.
3,547,469	A	12/1970	Sancioni	D741,233	S	10/2015	Glover et al.
3,663,048	A	5/1972	Zimmerle	D744,384	S	12/2015	Harriton
3,689,054	A	9/1972	Gouirand	D744,386	S	12/2015	Harriton
D225,523	S	12/1972	Nunn	D744,387	S	12/2015	Harriton
3,756,643	A	9/1973	Weed	D744,388	S	12/2015	Harriton
3,774,948	A	11/1973	Gouirand	D749,021	S	2/2016	Boniface et al.
3,782,767	A	1/1974	Moore	D749,995	S	2/2016	Azadi et al.
3,829,118	A	8/1974	Gouirand	D751,012	S	3/2016	Hare
3,837,695	A	9/1974	Haase et al.	D753,034	S	4/2016	Thole et al.
D234,194	S	1/1975	Cline	D760,133	S	6/2016	Bennett et al.
3,938,840	A	2/1976	Haase et al.	D761,166	S	7/2016	Hare
3,971,583	A	7/1976	Kornhauser	D763,745	S	8/2016	Lee, IV et al.
D245,774	S	9/1977	Norris	D764,728	S	8/2016	Choi et al.
4,264,094	A	4/1981	White et al.	D764,729	S	8/2016	Choi et al.
D259,556	S	6/1981	Norris	D769,945	S	10/2016	Serrurier et al.
D259,557	S	6/1981	Norris	D771,537	S	11/2016	Hare
D275,776	S	10/1984	Horowitz et al.	D775,013	S	12/2016	Bennett et al.
D300,128	S	3/1989	Brennan	D775,016	S	12/2016	Reynolds
5,181,699	A	1/1993	Chang	D775,032	S	12/2016	Palmer et al.
5,326,083	A	7/1994	Wydra et al.	D776,582	S	1/2017	Bennett et al.
D350,516	S	9/1994	Hanson	D777,618	S	1/2017	Setina
D360,865	S	8/1995	Hanson	D777,619	S	1/2017	Barajas et al.
D375,067	S	10/1996	Bronstein	D778,213	S	2/2017	Platto et al.
D403,023	S	12/1998	Araki	D778,784	S	2/2017	Hirooka
5,971,451	A	10/1999	Huang	D781,193	S	3/2017	McMath
D420,634	S	2/2000	Nelson	D781,757	S	3/2017	Baggett
D420,962	S	2/2000	Chevalier	D784,869	S	4/2017	Yamamoto
D422,953	S	4/2000	Waagenaar	D785,504	S	5/2017	Higgs
D425,462	S	5/2000	Ujje	D786,745	S	5/2017	Zeng
D431,506	S	10/2000	Runfola	D788,826	S	6/2017	Serrurier et al.
D432,469	S	10/2000	Nelson	D789,258	S	6/2017	McMath
6,217,090	B1	4/2001	Berzinji	D790,600	S	6/2017	Serrurier et al.
D454,098	S	3/2002	McGuinness	D792,817	S	7/2017	McMath
D454,099	S	3/2002	McGuinness	D792,818	S	7/2017	McMath
D454,817	S	3/2002	McGuinness	D793,304	S	8/2017	McMath
D455,684	S	4/2002	McGuinness	D794,519	S	8/2017	McMath
D455,988	S	4/2002	McGuinness	D796,399	S	9/2017	Steen
D460,499	S	7/2002	Wu	D800,028	S	10/2017	Baggett
D462,401	S	9/2002	Wu	D800,036	S	10/2017	Bennett et al.
D462,727	S	9/2002	Wu	D800,226	S	10/2017	Zeng
D464,087	S	10/2002	Wu	D801,892	S	11/2017	Drever
D476,606	S	7/2003	Hamm et al.	D810,626	S	2/2018	Macey et al.
D485,219	S	1/2004	Hamm et al.	D811,956	S	3/2018	Zeng
D487,038	S	2/2004	Chan	D814,984	S	4/2018	Wymore
D502,433	S	3/2005	McClanahan	D821,275	S	6/2018	Eck et al.
D506,421	S	6/2005	Newbill	D823,750	S	7/2018	Schulzetenberg et al.
D521,572	S	5/2006	Yuen	D825,385	S	8/2018	Ma
7,097,222	B2	8/2006	Ran	D826,115	S	8/2018	Chi
D527,696	S	9/2006	Ichikawa et al.	D826,116	S	8/2018	DiCanzio
D532,348	S	11/2006	Kudo et al.	D827,054	S	8/2018	Ewing et al.
D533,606	S	12/2006	Kaminski	D827,055	S	8/2018	Barajas et al.
D534,593	S	1/2007	Yuen	D828,223	S	9/2018	Piscitelli
D565,484	S	4/2008	Johnson et al.	D828,796	S	9/2018	Allmendinger et al.
D577,083	S	9/2008	Nakayama	D830,919	S	10/2018	Zeng
D580,322	S	11/2008	Schroeder et al.	D832,161	S	10/2018	Kobayashi
D590,752	S	4/2009	Williams et al.	D832,368	S	10/2018	Barajas et al.
D593,616	S	6/2009	Asai	D833,922	S	11/2018	DiCanzio
D606,913	S	12/2009	Robertson	D845,844	S	4/2019	Langhals et al.
7,703,834	B1	4/2010	Hardy et al.	D845,845	S	4/2019	Goodrich et al.
D636,305	S	4/2011	Alvarez et al.	D845,846	S	4/2019	Goodrich et al.
D642,099	S	7/2011	Nagao et al.	D845,847	S	4/2019	Piscitelli et al.
D683,281	S	5/2013	Harriton	D846,460	S	4/2019	Goodrich et al.
D691,074	S	10/2013	Dugardin	D846,461	S	4/2019	Piscitelli et al.
				D846,462	S	4/2019	DiCanzio
				D847,051	S	4/2019	DiCanzio
				D847,709	S	5/2019	Neal
				D850,334	S	6/2019	DiCanzio

(56)

References Cited

U.S. PATENT DOCUMENTS

D860,881 S 9/2019 Ninov et al.
 D864,806 S 10/2019 Wood
 D870,615 S 12/2019 Wood
 D873,729 S 1/2020 Rolfs et al.
 D873,730 S 1/2020 Goodrich et al.
 D873,731 S 1/2020 Goodrich et al.
 D873,734 S 1/2020 Goodrich et al.
 D874,998 S 2/2020 Zhang
 D874,999 S * 2/2020 Ewing D12/171
 D877,003 S 3/2020 Izard
 D877,670 S 3/2020 Moctezuma
 D878,976 S 3/2020 Goodrich et al.
 D878,977 S * 3/2020 Ewing D12/171
 D878,978 S 3/2020 Li
 D880,381 S 4/2020 DiCanzio
 D887,328 S 6/2020 Lee
 D888,628 S 6/2020 Bennett et al.
 D889,332 S 7/2020 Chi
 D890,036 S 7/2020 Marshall et al.
 D891,330 S 7/2020 Lenz, Jr.
 D893,366 S 8/2020 Dewitt et al.
 D894,802 S 9/2020 Grand
 D894,803 S 9/2020 DiCanzio
 D896,139 S 9/2020 Williams
 D904,244 S 12/2020 Wood et al.
 D908,177 S 1/2021 Sprowl et al.
 D908,561 S 1/2021 Harriton et al.
 D908,562 S 1/2021 Harriton et al.
 D909,918 S 2/2021 Langhals et al.
 D910,493 S 2/2021 Langhals et al.
 D910,507 S 2/2021 Bennett et al.
 D918,802 S 5/2021 Huang
 D918,803 S 5/2021 Wood et al.
 D919,516 S 5/2021 Chi
 D920,194 S 5/2021 Mallicote et al.
 11,014,517 B2 5/2021 Hatch et al.
 D923,111 S 6/2021 Wood et al.
 D923,112 S 6/2021 Hagler et al.
 D923,113 S 6/2021 Hagler et al.
 D931,384 S * 9/2021 Chen D21/548
 D937,146 S 11/2021 Kaoud et al.
 D940,015 S 1/2022 Sprowl et al.
 D949,068 S 4/2022 Hu
 D960,254 S 8/2022 Ewing et al.
 D960,255 S * 8/2022 Ewing D21/562
 2006/0021188 A1 2/2006 Lee
 2006/0192398 A1 8/2006 Buniewicz et al.
 2006/0261613 A1 11/2006 Byers et al.
 2009/0212581 A1 8/2009 Drever
 2009/0302623 A1 12/2009 Finney
 2013/0187395 A1 7/2013 Hanson et al.
 2013/0257070 A1 10/2013 Ebara et al.
 2017/0088076 A1 3/2017 Fujimoto et al.
 2017/0247014 A1 8/2017 Farooq et al.
 2017/0349227 A1 12/2017 Spindler et al.
 2018/0072254 A1 3/2018 Wymore
 2019/0337476 A1 11/2019 Hare et al.
 2021/0046395 A1 2/2021 Allmendinger et al.

FOREIGN PATENT DOCUMENTS

TW D147600 S 6/2012
 TW D154920 S 7/2013
 TW D163365 S 10/2014
 TW D168397 S 6/2015
 TW D169825 S 8/2015
 WO 2007056481 A2 5/2007

OTHER PUBLICATIONS

Traxxas Bumper Front and Support, Traxxas Webpage [online], [Site Visit Jun. 8, 2023], URL: <https://traxxas.com/products/parts/6736> (Year: 2023).

Traxxas LP; The New Traxxas Summit 16.8 V Electric Extreme Terrain Monster Truck; Traxxas Press Release; Oct. 16, 2008.
 Summit E-Revo Crawler SP08503 front bumper; Oct. 16, 2008.
 “How Do I Add a Ball Hitch to my RPM Rear Bumper (T/E-Maxx & Revo Bumpers)?” RPM, Jul. 30, 2005 [online], [retrieved on Sep. 12, 1996]. Retrieved from the internet, URL: <http://www.rpmrcproducts.com/faq/add-ball-hitch-rpm-rear-bumper-te-maxx-revo-bumpers/>.
 “Warn 87750 Elite Series Front Bumper with Grill Guard Tube” RPM, Jul. 17, 2013 [online], [retrieved on Sep. 12, 2016]. Retrieved from Internet, URL: https://www.amazon.com/gp/product/B00625F4FI/ref=pd_sim_263_5?ie=UTF8&pd_rd_i=B00625F4FI&pd_rd_r=QN6NZ5WV34ZS00Z3BSGH&pd_rd_w=4XjJD&pd_rd_wg=7Z80V&psc=1&refRID=QN6NZ5WV34ZS0.
 “Yeah Racing F/R Bumper w/ HD Shackie & LED’s—SCX10, Traxxas.” RC Hobbies, Nov. 12, 2014 [online], [retrieved on Sep. 12, 2016]. Retrieved from the Internet <URL: http://rchoobbies.com.au/store/product_info.php?products_id=80405>.
 Taiwan IPO Search Report; Taiwan Design Patent App No. 105301434; dated Aug. 4, 2016.
 Associated Electrics; “Catalog and Parts Listing for the Monster GT Truck”; 2003; Associated Electrics, Inc., Costa Mesa, California.
 Horizon Hobby; “Team Losi LST Super Truck—Drive Train Assy” exploded view; Horizon Hobby, Inc., Champaign, Illinois.
 HPI Racing, “Savage 21 4WD Giant Monster Truck” p. 56 exploded view; Hobby Products International, Foothill Ranch, California.
 Tamiya, “Terra Crusher Parts Breakdown—Front End”; Tamiya America, Inc., Aliso Viejo, California.
 Tamiya, “Wild Willy 2 Parts Breakdown”; 1999, Tamiya America, Inc., Aliso Viejo, California.
 Tamiya, “Wild Willy”; Tamiya America, Inc., Aliso Viejo, California; 1 photograph.
 Traxxas, “T-Maxx Assemblies—Front Assembly”; Traxxas LP, Plano, Texas.
 Axial SCX10 II 2000 Jeep Cherokee; <http://www.axialracing.com/products/ax90047>; Aug. 2016.
 Axial SCX 10 Deadbolt; <http://www.axialracing.com/products/ax90044>; Aug. 2016.
 Traxxas; Bumper support geometry, body mounts, body mount posts; <https://traxxas.com/products/parts/3619>; Oct. 2016.
 Sema 2015 Fab Fours; 2 photos.
 PL6088-00 Front Proline Ridge-Line Bumper (Smal), Earliest Available Date May 2, 2019 [Online], [Site Visited Oct. 20, 2020] Available From Internet, URL: <https://www.ebay.com/itm/PL6088-00-Front-PROLINE-RIDGE-LINE-BUMPER-SMAL-SET-VOOR-NARROW-ROCK-CRAWLING-/153425968229?_trksid=p2385738.m4383.14275.c10> (Year: 2019).
 Traxxas TRX-4 Winch Front Bumper, Earliest Available Date May 22, 2019 [Online], [Site Visited Oct. 20, 2020] Available From Internet, URL: <https://www.amainhobbies.com/traxxas-trx-4-winch-front-bumper-tra8124/p779826?gclid=EAAlaQobChMI0aymroXE7AIVD02GCh0ntA-WEAQYBSABEgJI5_D_BWE> (Year: 2019).
 TF2 Mojave ARB-Deluxe Metal Front Bumper Assembly, Earliest Available Date Oct. 22, 2020 [Online], [Site Visited Oct. 22, 2020] Available From Internet, URL: <<https://www.aliexpress.com/i/4000118857581.html>> (Year: 2020).
 Traxxas 5834 Front Bumper Mount Front Adapter 2WD Slash 4x4, Earliest Available Date Jul. 15, 2020 [Online], [Site Visited Oct. 22, 2020] Available From Internet, URL: <https://www.ebay.com/itm/Traxxas-5834-Front-Bumper-Mount-Front-Adapter-2WD-Slash-4x4-/174332832512?_trksid=p2385738.m4383.14275.c10> (Year: 2020).
 Traxxas TRA6736 Bumper, Front/ Bumper Support, Earliest Available Date Oct. 22, 2020 [Online], [Site Visited Oct. 22, 2020] Available From Internet, URL: <<https://amazon.com/Traxxas-TRA6736-Bumper-Front-Support/dp/B07HJF56V1#customerReviews>> (Year: 2020).
 Bull Bars. (Design—© Questel) orbit.com. [Online PDF compilation of references] 16 pgs. Print Dates Range Oct. 8, 2019-Apr. 14, 2005 [Retrieved Jun. 4, 2021].
 “4 Pcs ZD Racing 8481 Front Bumper Set.” Before Jul. 21, 2019. Banggood. https://www.banggood.com/4PCS-ZD-Racing-8481-Front-Bumper-Set-for-9116-08427-9021-V3-1-or-8-RC-Car-Parts-p-1528272.html?cur_warehouse=CN (Year: 2019).

(56)

References Cited

OTHER PUBLICATIONS

Onorato, Paul. "3 Must-See Pro-Line Traxxas Slash Builds that Anyone Can Do!" Apr. 29, 2019. RC Driver. <https://www.rcdriver.com/3-must-see-pro-line-traxxas-slash-builds-that-anyone-can-do/> (Year: 2019).

"Traxxas Trx4 Aluminum Front Bumper (GPM Racing Product) Adding Extra Weight to the Front—RC Overdose." Jan. 31, 2018. YouTube. https://www.youtube.com/watch?v=_wui5f_k1eY (Year: 2018).

Traxxas 8990 Complete Waterproof LED Light Bar Kit, Nov. 14, 2019, amazon.com, Dec. 15, 2021, URL: <https://www.amazon.com/Traxxas-8990-LED-Light-Kit/dp/B07YGR7GLT> (Year: 2019).

Traxxas 7735 X-Maxx Front Bumper, Jan. 5, 2016, amazon.com, Dec. 15, 2021, URL: <https://www.amazon.com/Traxxas-7735-X-Maxx-Front-Bumper/dp/B01A6Z06HU/> (Year: 2016).

Bumper, Rear, Traxxas 9036, available on hobby-time.com, original text Aug. 29, 2020, [site visited Jan. 24, 2022], URL: https://www.hobby-time.com/index.php?main_page=product_info&products_id=69348 (Year: 2020).

Traxxas Hoss Rear Bumper, available on hobbytown.com, product added to catalog Feb. 17, 2021, [site visited Jan. 24, 2022], URL: <https://www.hobbytown.com/traxxas-hoss-rear-bumper-tra9036/p1253531> (Year: 2021).

Traxxas 9036 Bumper, available on Amazon.com, [site visited Jan. 24, 2022], URL: <https://www.amazon.com/Traxxas-9036-Bumper-Mount-Support/dp/B08FP5CSYG/> (Year: 2022).

Bumper, rear (#9036), available on traxxas.com, [site visited Jan. 24, 2022], URL: <https://traxxas.com/products/parts/9097> (Year: 2022).

Hoss 4x4 LED Light Kit, available on traxxas.com, [site visited Jan. 24, 2022], URL: <https://traxxas.com/products/barts/9095-hoss-4x4-light-kit> (Year: 2022).

Traxxas 8936 Bumper, available on Amazon.com, [site visited Jan. 24, 2022], URL: <https://www.amazon.com/Traxxas-8936-Bumper-Rear/dp/B081LMYSNT/> (Year: 2022).

RPM Wide Front Bumper Black Rustler, available on amazon.com, date first available Jun. 21, 2007, [site visited Jan. 24, 2022], URL: <https://www.amazon.com/RPM-Bumper-Rustler-Stampede-Bandit/dp/B000607RR4/> (Year: 2007).

Axial SCX10 II, available on amainhobbies.com, added to catalog Apr. 8, 2020, [site visited Jan. 24, 2022], URL: <https://www.amainhobbies.com/axial-scx10-iii-crc-jeep-jlu-bumper-set-axi230018/p1204845> (Year: 2020).

Robatt, "Warn rock crawler front bumper on a 4Runner!!!" Oct. 14, 2009, yotatech.com, site visited Mar. 11, 2022, URL: <https://www.yotatech.com/forums/f116/warn-rock-crawler-front-bumper-4runner-190663/> (Year: 2009).

"Tags," Feb. 2, 2017, pxhere.com, site visited Mar. 11, 2022, URL: <https://pxhere.com/en/photo/601400> (Year: 2017).

"That new new," Nov. 20, 2019, facebook.com, site visited Nov. 20, 2019, URL: (possible 102 or 103) <https://www.facebook.com/traxxas/photos/258499214431423> (Year: 2019).

"RC Front Bumper," Aug. 28, 2019, amazon.com, site visited Mar. 11, 2022, URL: <https://www.amazon.com/Aluminum-Taxxas-Crawler-Large-Size-Heavy-Metal/dp/B07X42VJNY/> (Year: 2019).

"Wide World of TRX-4 Sports: Part 2," Oct. 28, 2020, facebook.com, site visited Mar. 11, 2022, URL: <https://www.facebook.com/traxxas/photos/3475502935831042> (Year: 2020).

"Wake up & find your adventure!" Sep. 26, 2020, facebook.com, site visited Mar. 11, 2022, URL: <https://www.facebook.com/traxxas/photos/3378456638869006> (Year: 2020).

* cited by examiner

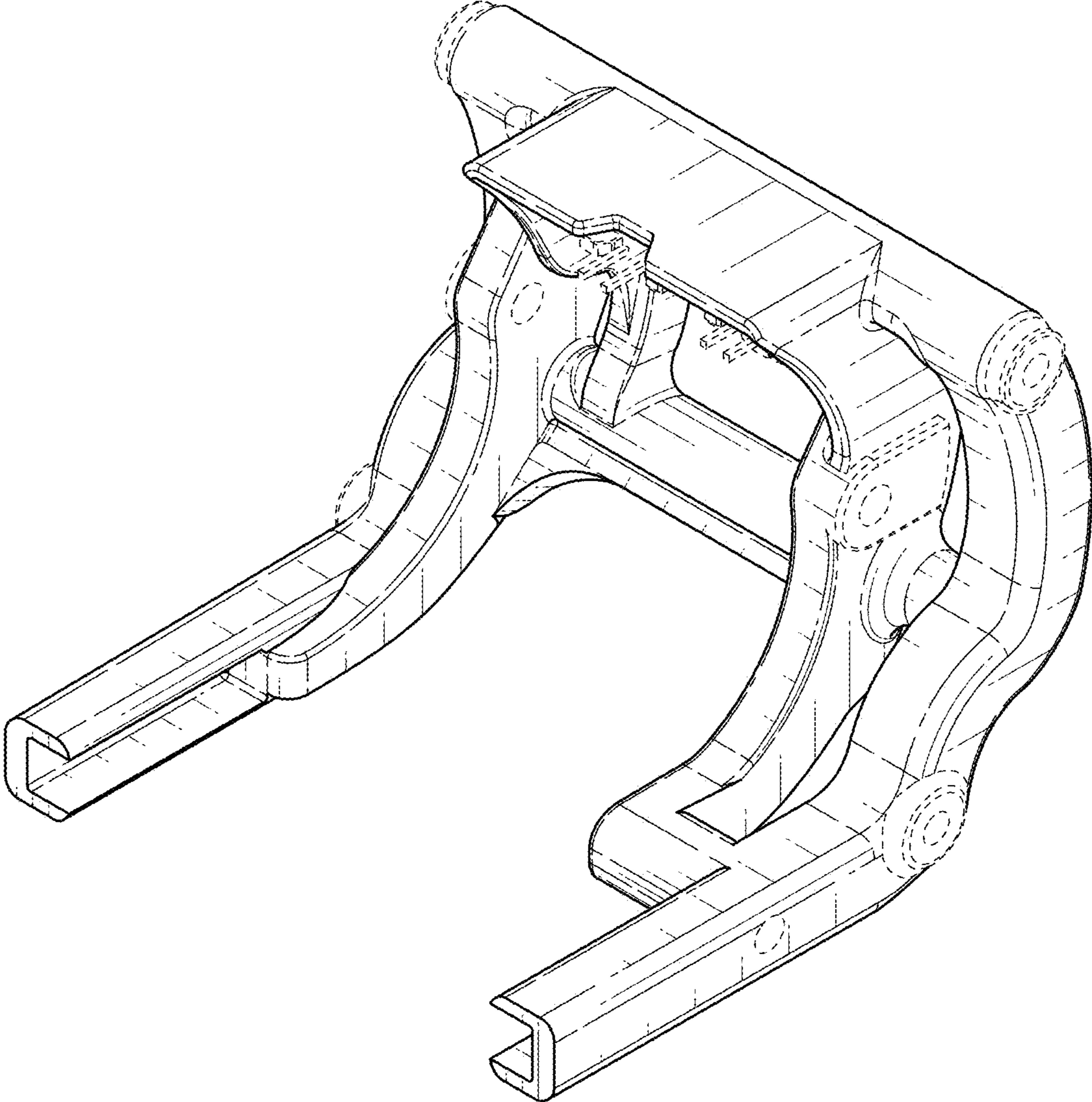


FIG. 1

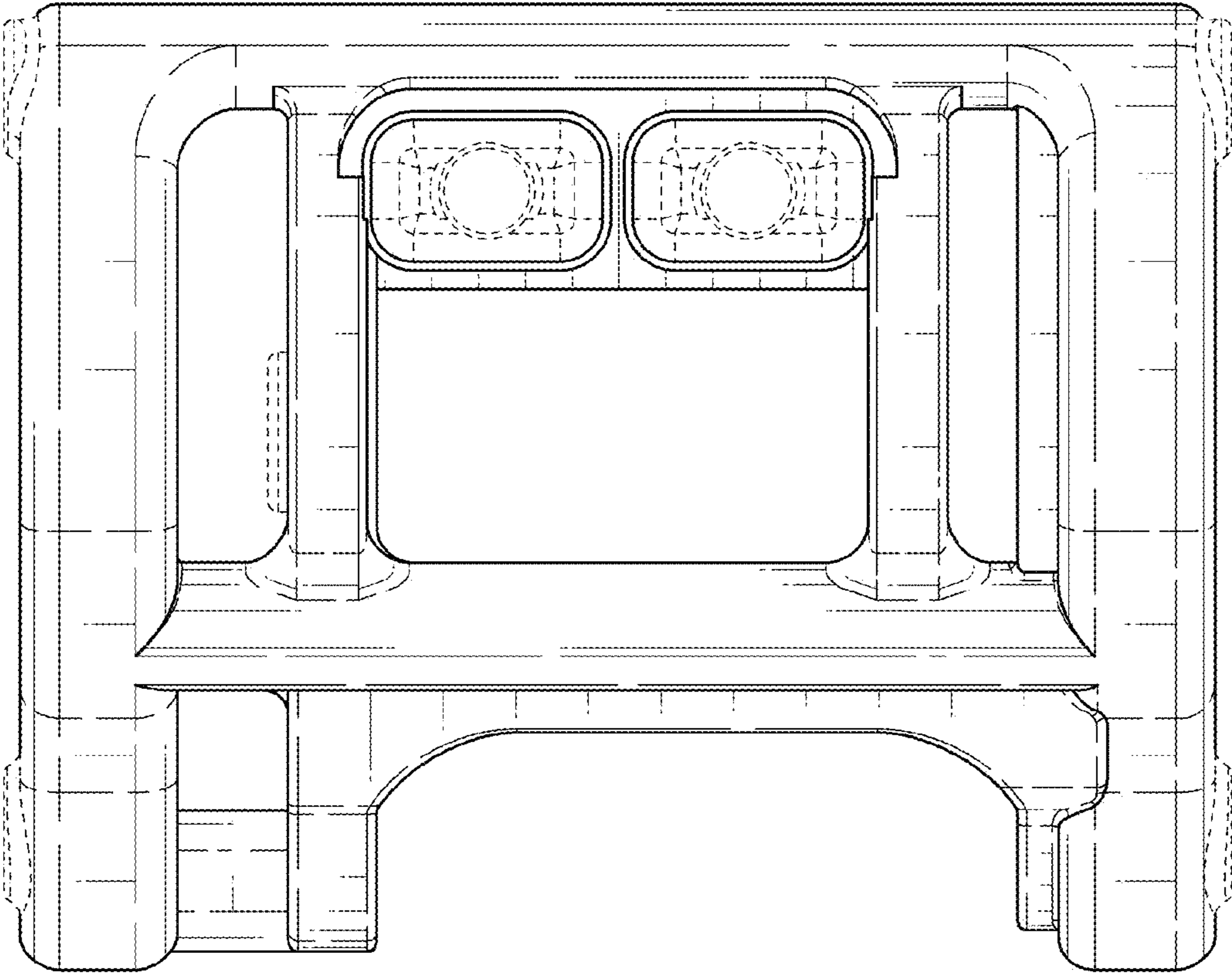


FIG. 2

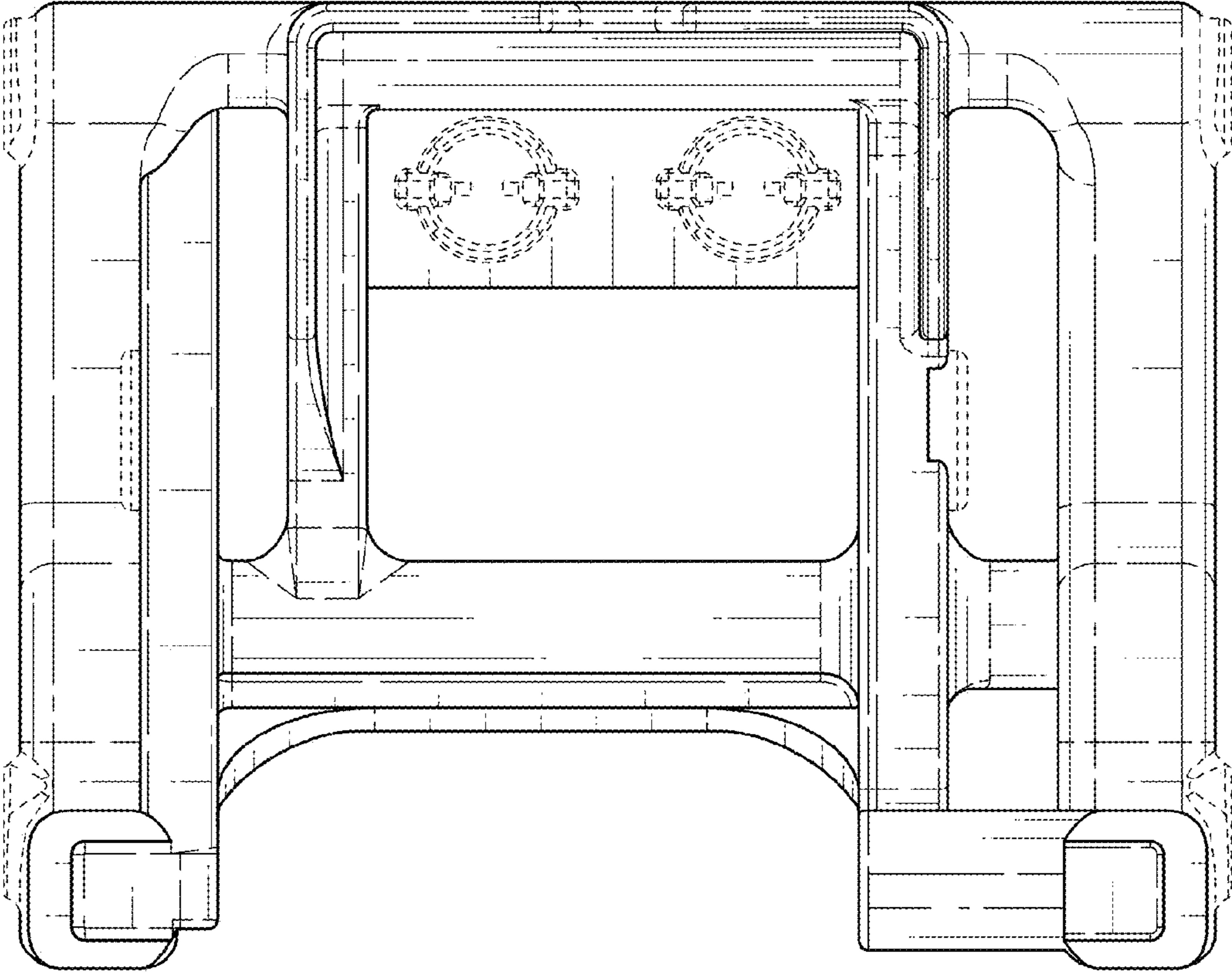


FIG. 3

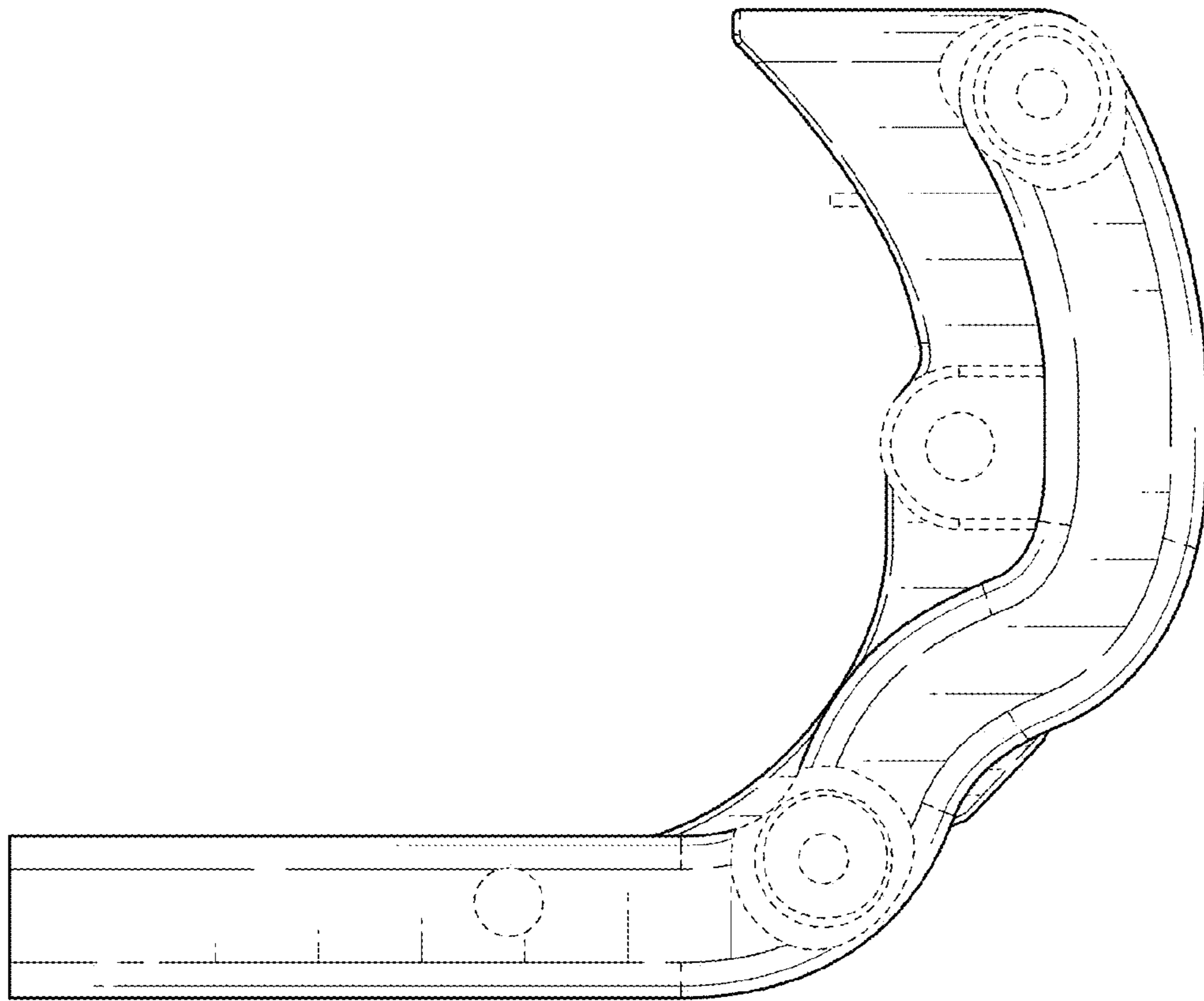


FIG. 4

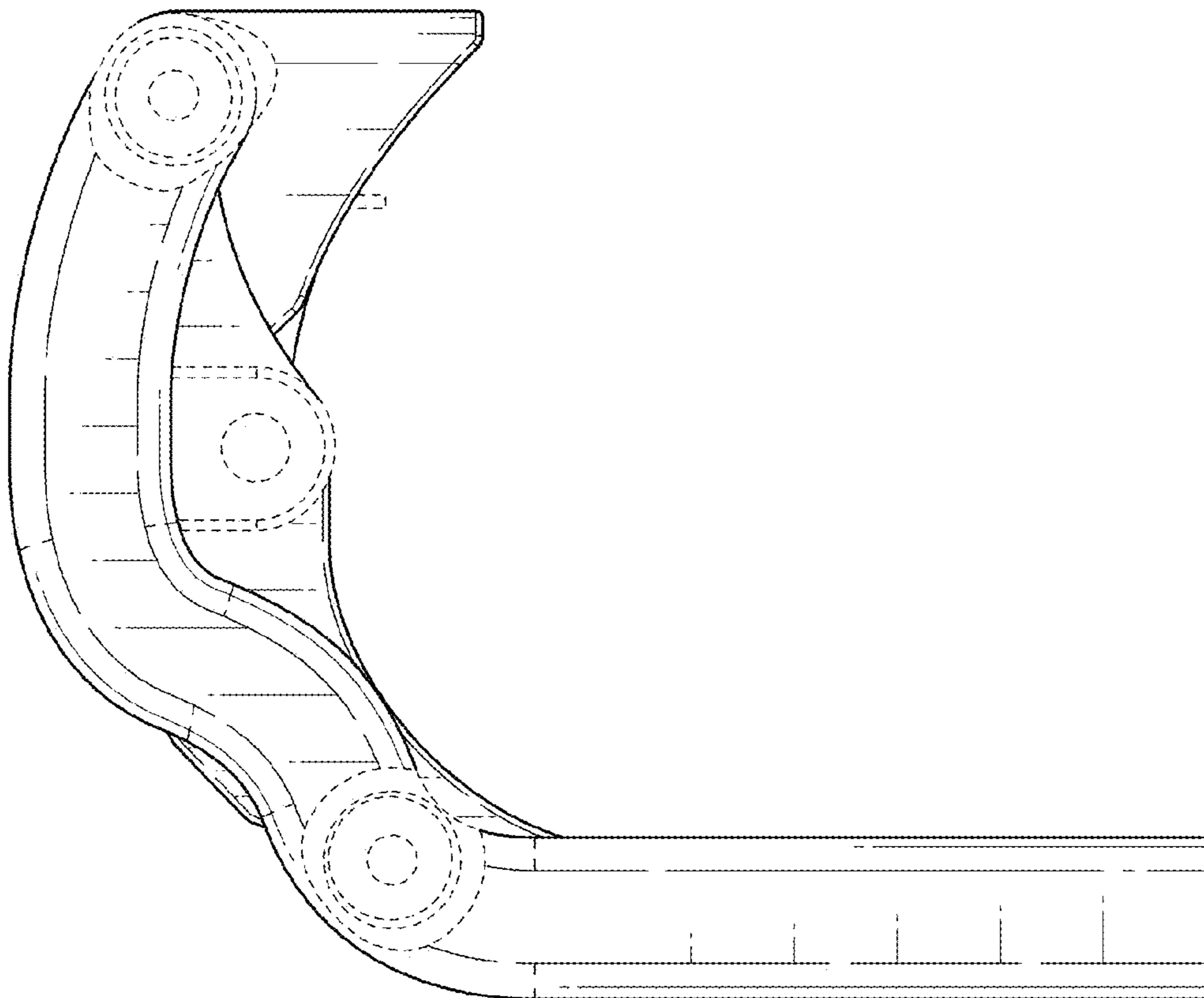


FIG. 5

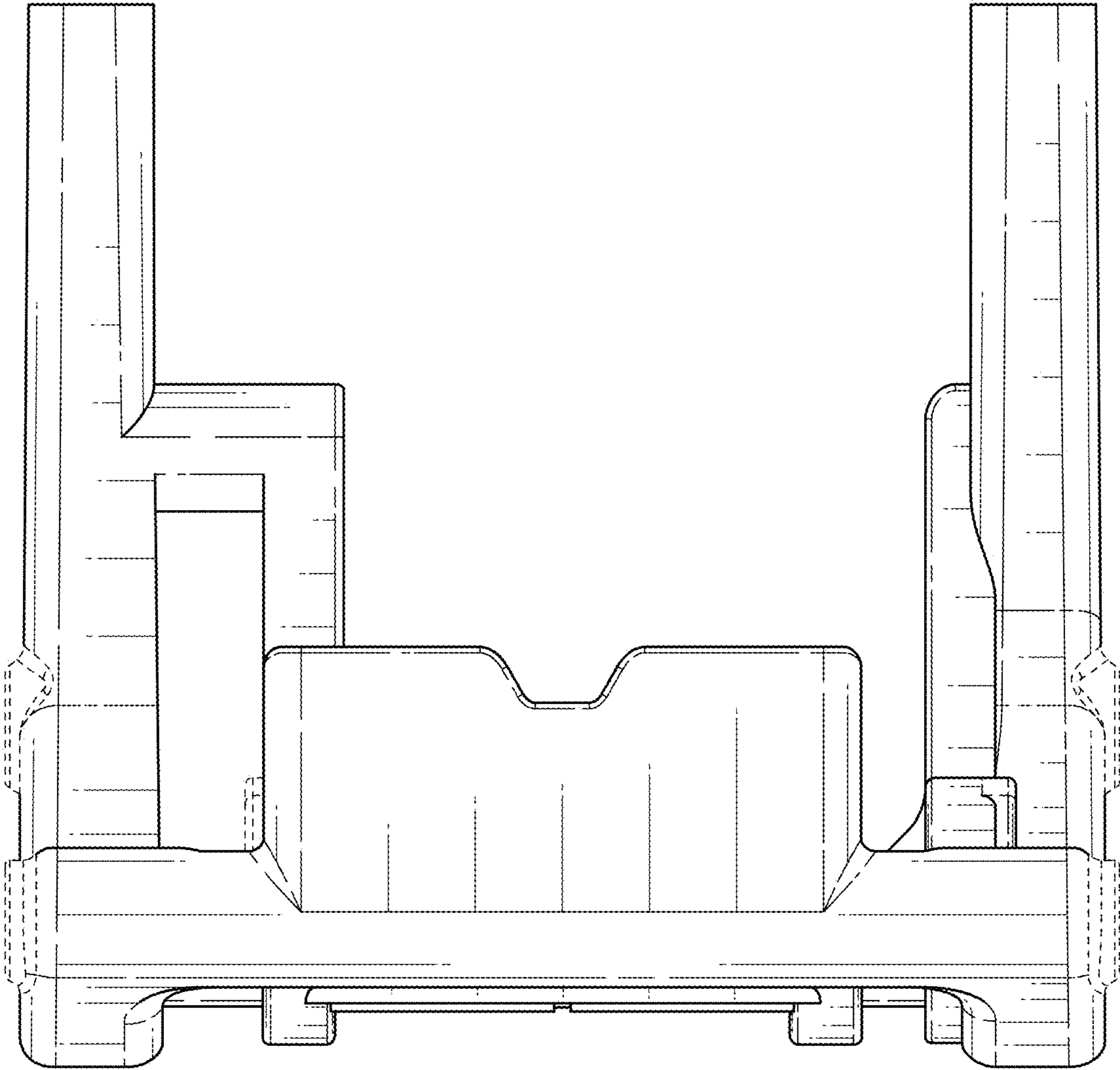


FIG. 6

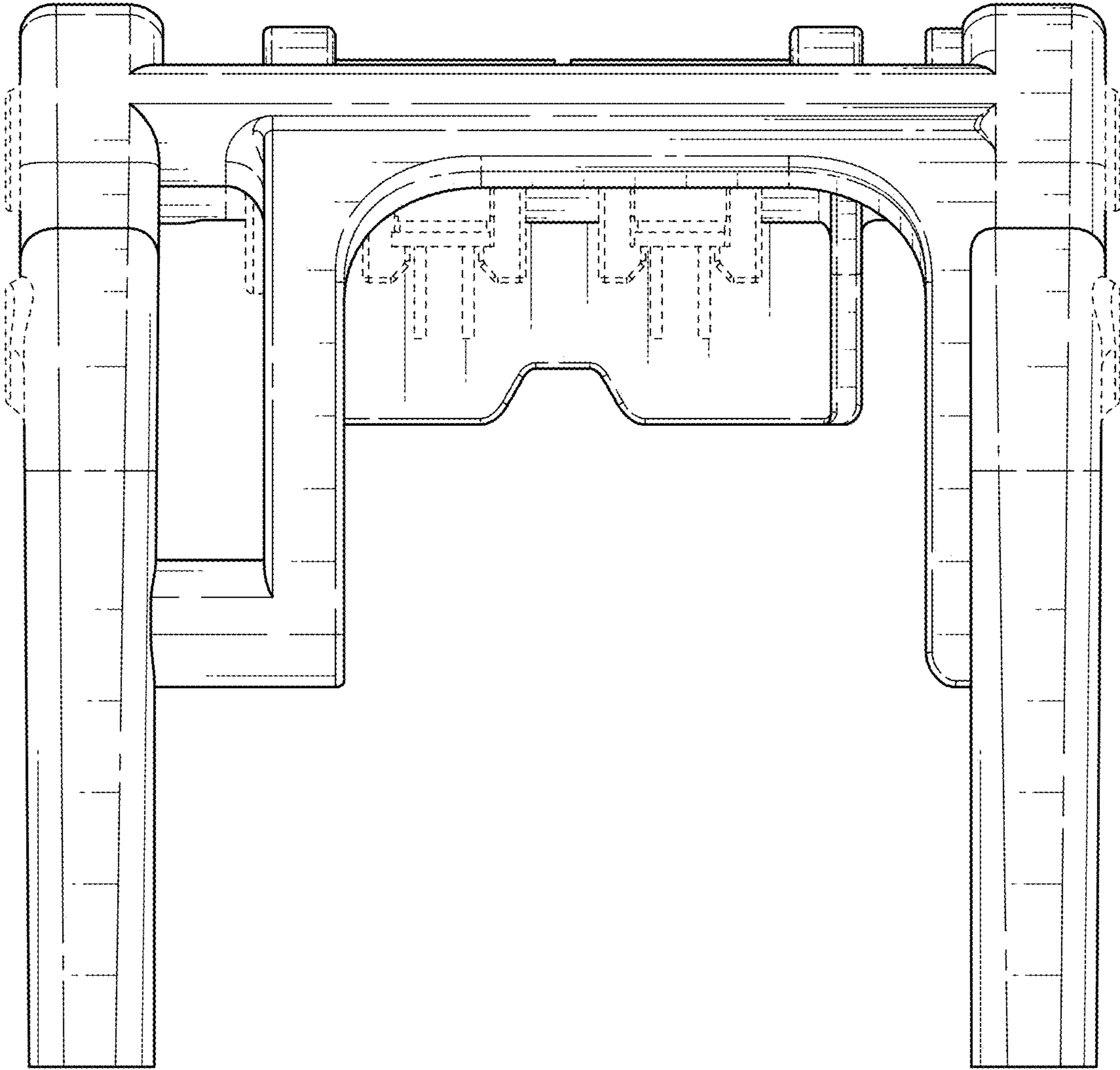


FIG. 7

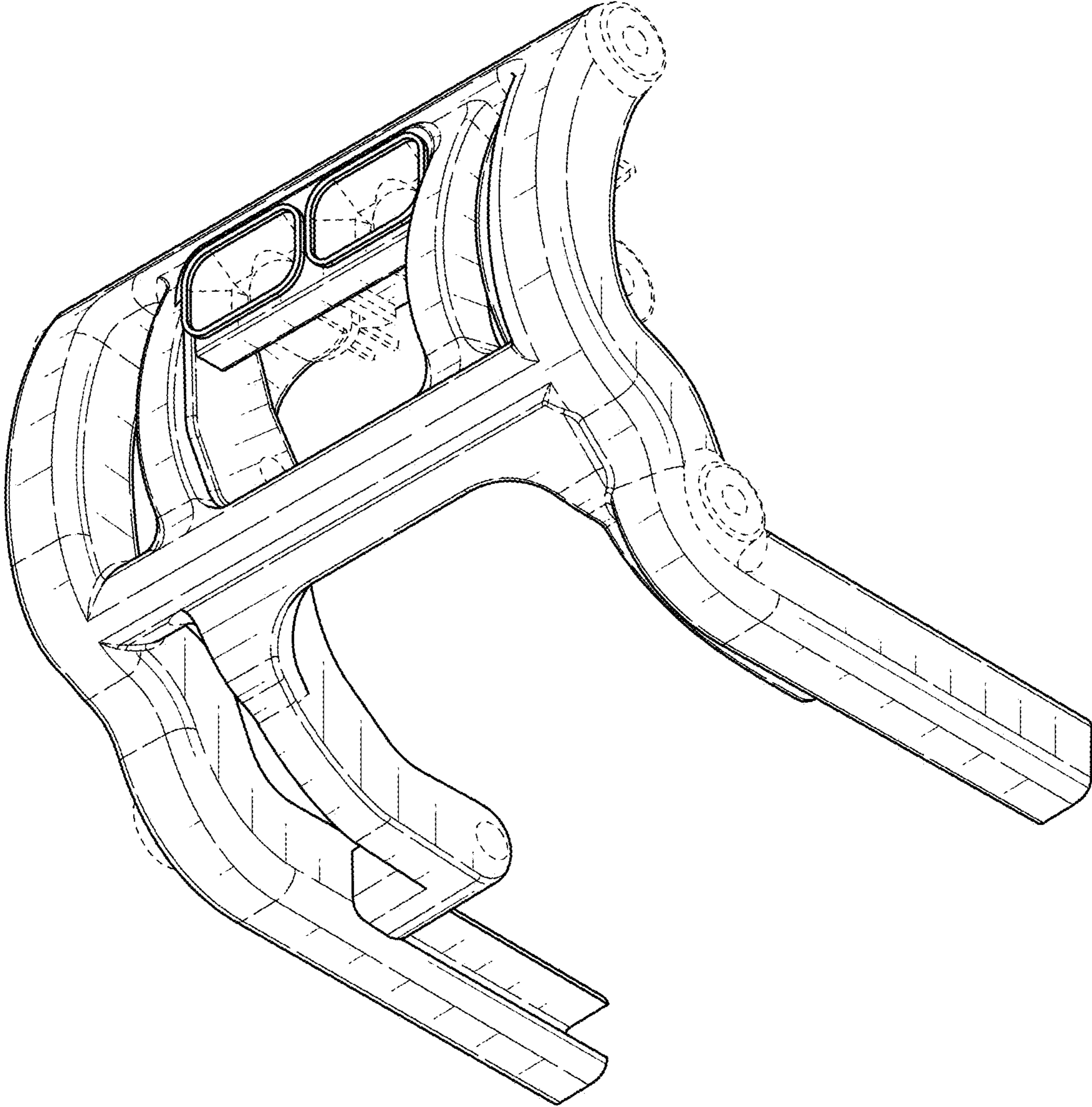


FIG. 8

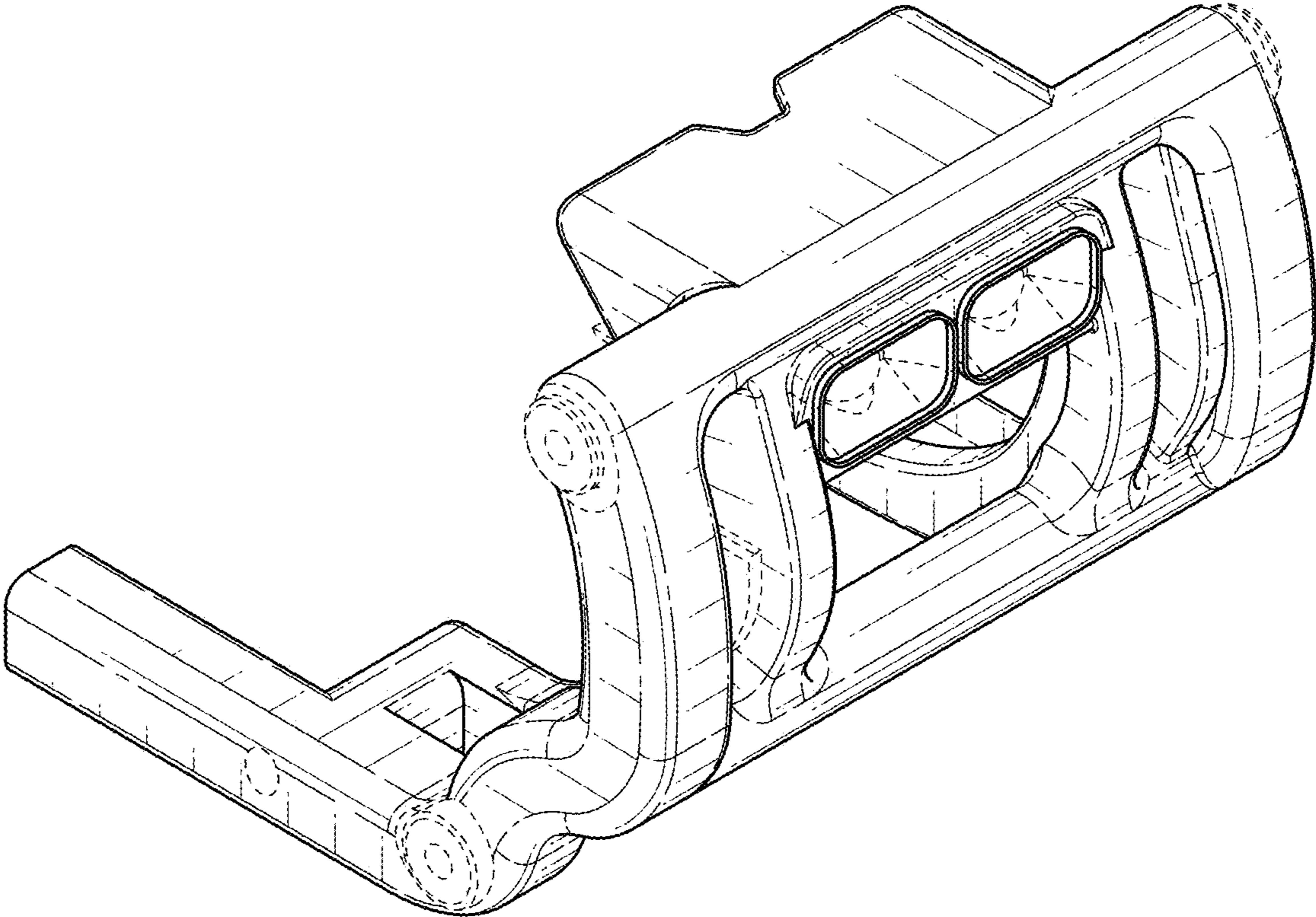


FIG. 9