



US00D998695S

(12) **United States Design Patent** (10) **Patent No.:** **US D998,695 S**
Maeshima et al. (45) **Date of Patent:** **** Sep. 12, 2023**

(54) **TONER CONTAINER**

D722,642 S * 2/2015 Wada D18/56
D723,938 S * 3/2015 Karasawa D9/708
D750,971 S * 3/2016 Takagiwa D9/708

(71) Applicant: **KYOCERA DOCUMENT SOLUTIONS INC.**, Osaka (JP)

(Continued)

(72) Inventors: **Masanobu Maeshima**, Osaka (JP);
Masahiro Kashimoto, Osaka (JP);
Yuzo Onishi, Osaka (JP)

FOREIGN PATENT DOCUMENTS

CA 105801 * 5/2005
JP D1523399 * 5/2016

(73) Assignee: **KYOCERA DOCUMENT SOLUTIONS INC.**, Osaka (JP)

OTHER PUBLICATIONS

Kyocera WT-860 Waste Toner Container, Amazon.com, date published Mar. 14, 2012, date retrieved Aug. 4, 2022—U.S. Appl. No. 29/747,745—<https://amzn.to/3OSJSwM> (Year: 2012).*

(Continued)

(**) Term: **15 Years**

Primary Examiner — Nicole C Shiflet
Assistant Examiner — Danielle Nichole Bowly
(74) *Attorney, Agent, or Firm* — NIXON & VANDERHYE

(21) Appl. No.: **29/747,745**

(22) Filed: **Aug. 25, 2020**

(51) **LOC (14) Cl.** **16-03**

(52) **U.S. Cl.**
USPC **D18/43**

(58) **Field of Classification Search**
USPC D9/631, 708; D14/218, 314, 341, 346,
D14/356, 432; D18/18, 40, 43, 56
CPC G03G 2221/1648; G03G 2215/0668; Y10S
222/01
See application file for complete search history.

(57) **CLAIM**

The ornamental design for a toner container, as shown and described.

DESCRIPTION

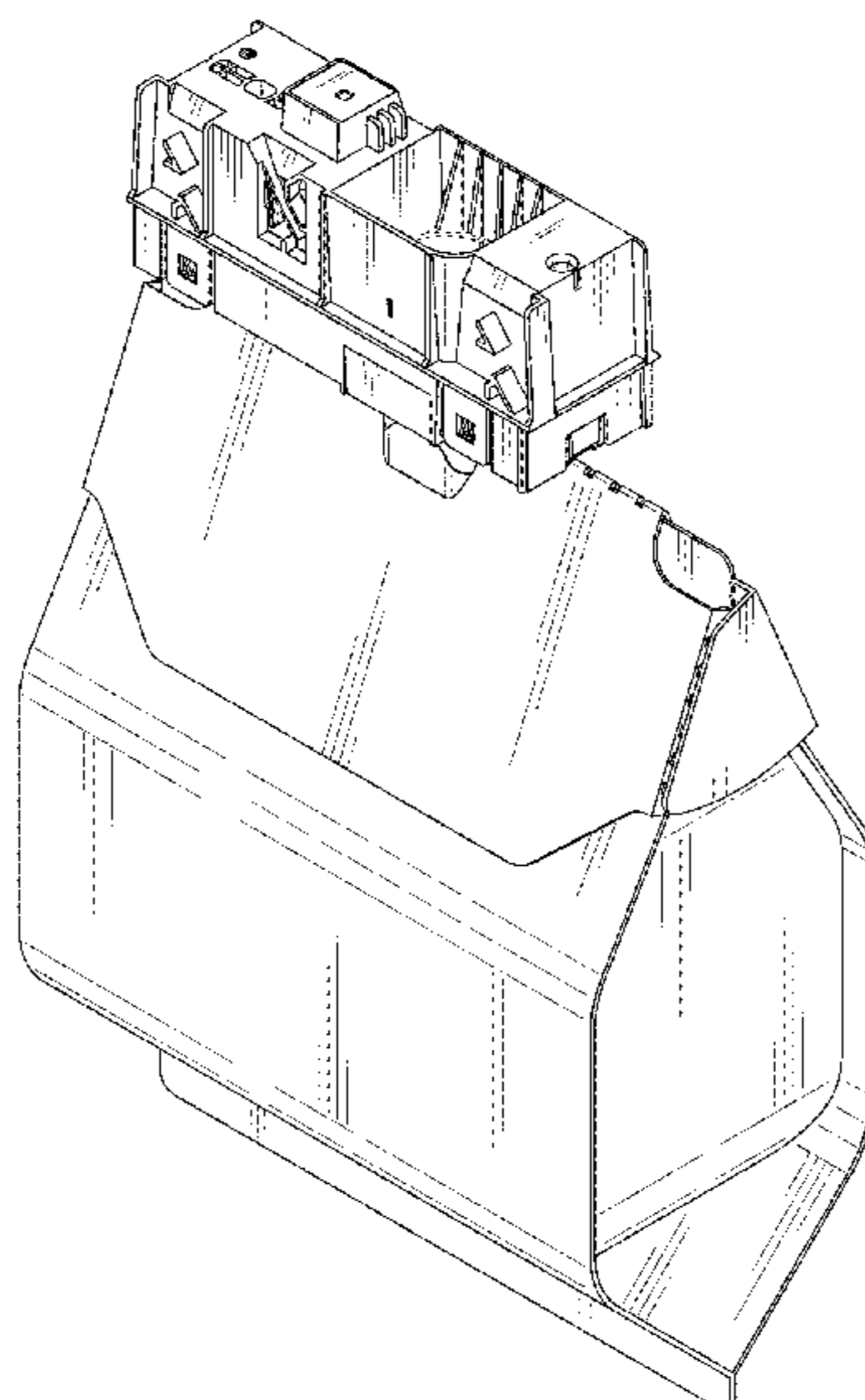
FIG. 1 is a front perspective view of front, top and right side of a toner container showing our new design;
FIG. 2 is a rear perspective view of rear, top and left side thereof;
FIG. 3 is a front view thereof;
FIG. 4 is a rear view thereof;
FIG. 5 is a left side view thereof;
FIG. 6 is a right side view thereof;
FIG. 7 is a top plan view thereof; and,
FIG. 8 is a bottom plan view thereof.
The smaller broken lines shown in the figures depict portions that form no part of the claimed design.
The larger broken lines in the figures represent perforations on the toner container that do form part of the claimed design.

(56) **References Cited**

U.S. PATENT DOCUMENTS

3,473,703 A * 10/1969 Lippincott B65D 75/5866
222/215
D368,275 S * 3/1996 Sakurai D18/56
D388,168 S * 12/1997 Barney D9/708
D513,417 S * 1/2006 Ishizawa 347/86
D528,011 S * 9/2006 Ueda D9/708
D551,289 S * 9/2007 Otsuka 347/86
D570,405 S * 6/2008 Otsuka 347/86
D633,141 S * 2/2011 Deng D18/56
D660,720 S * 5/2012 Umenaka D9/708
D665,018 S * 8/2012 Hatch D18/56
D711,749 S * 8/2014 Kim D9/709

1 Claim, 7 Drawing Sheets



(56)

References Cited

U.S. PATENT DOCUMENTS

D751,848 S * 3/2016 Price D9/708
D769,129 S * 10/2016 Patterson D9/708
D777,250 S * 1/2017 Wada D18/56
D814,315 S * 4/2018 Bell D9/708
D860,003 S * 9/2019 Wiesman D9/708
2005/0286936 A1 * 12/2005 Huang G03G 15/0874
399/262

OTHER PUBLICATIONS

Kyocera Waste Toner Container, Amazon.com, date published Aug. 12, 2014, date retrieved Aug. 4, 2022—U.S. Appl. No. 29/747,745—[https://www.amazon.com /Kyocera-Waste-Toner-Container-302F994091/dp/B007LHTSOY](https://www.amazon.com/Kyocera-Waste-Toner-Container-302F994091/dp/B007LHTSOY) (Year: 2014).*

* cited by examiner

FIG. 1

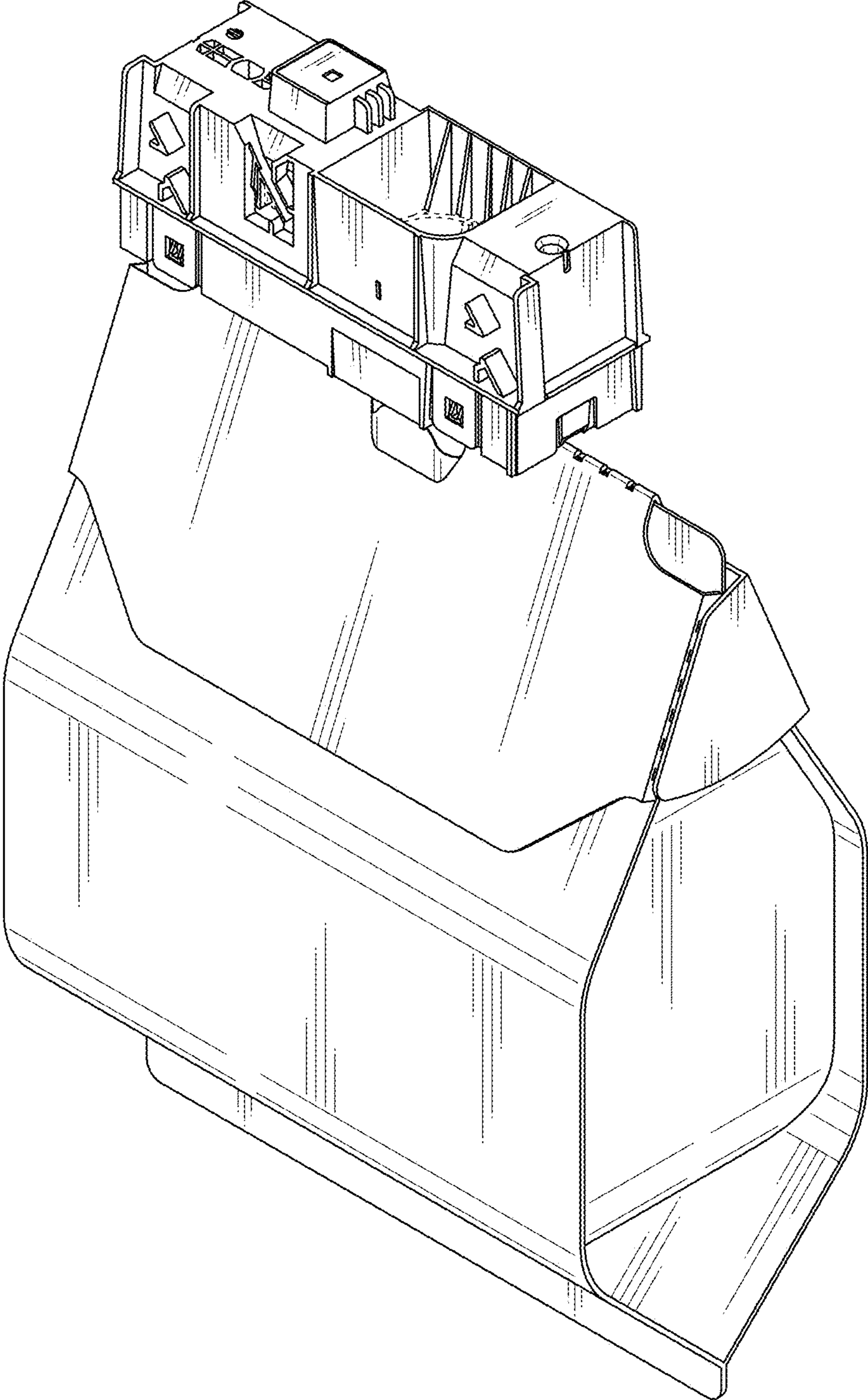


FIG. 2

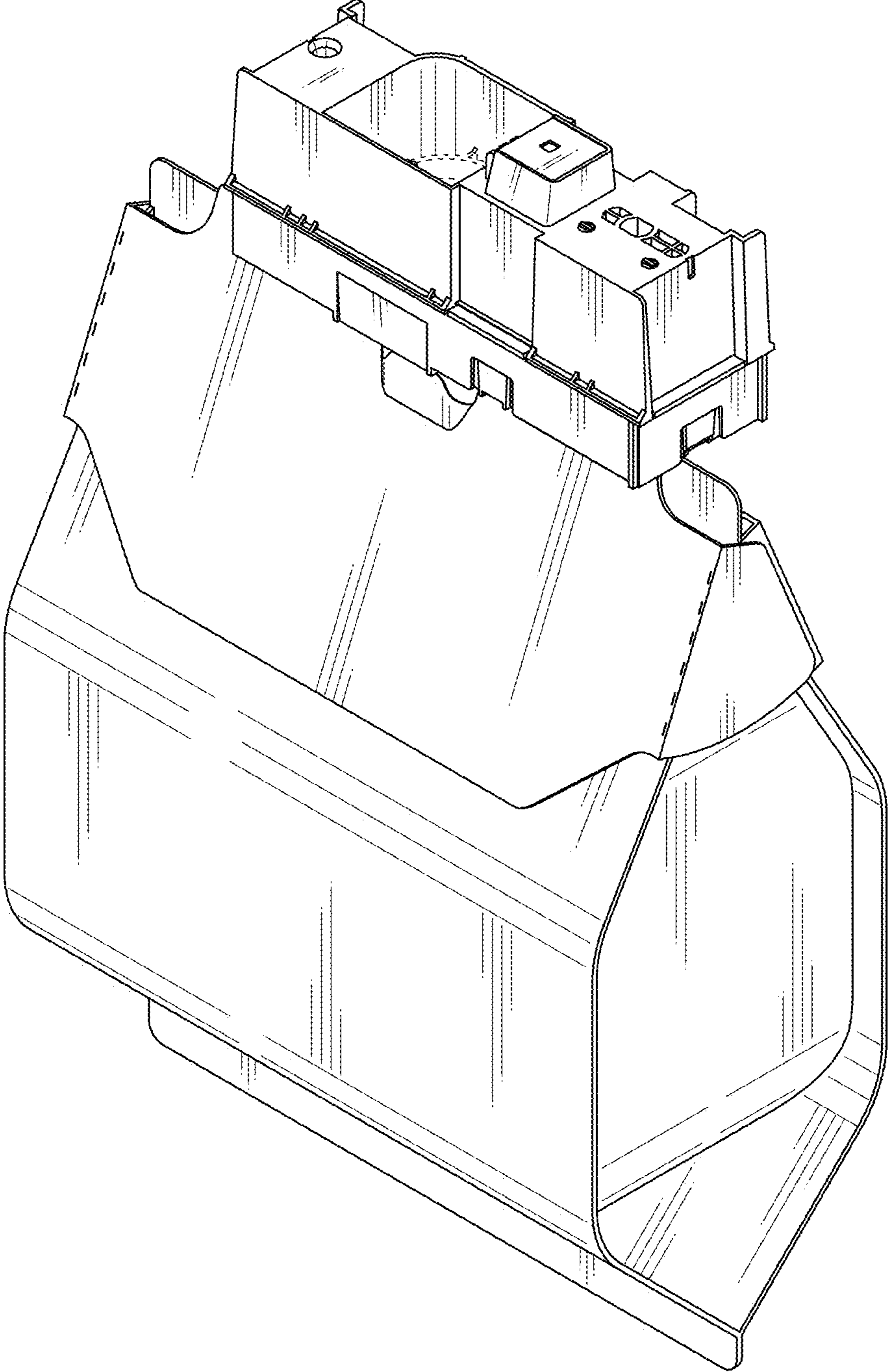


FIG. 3

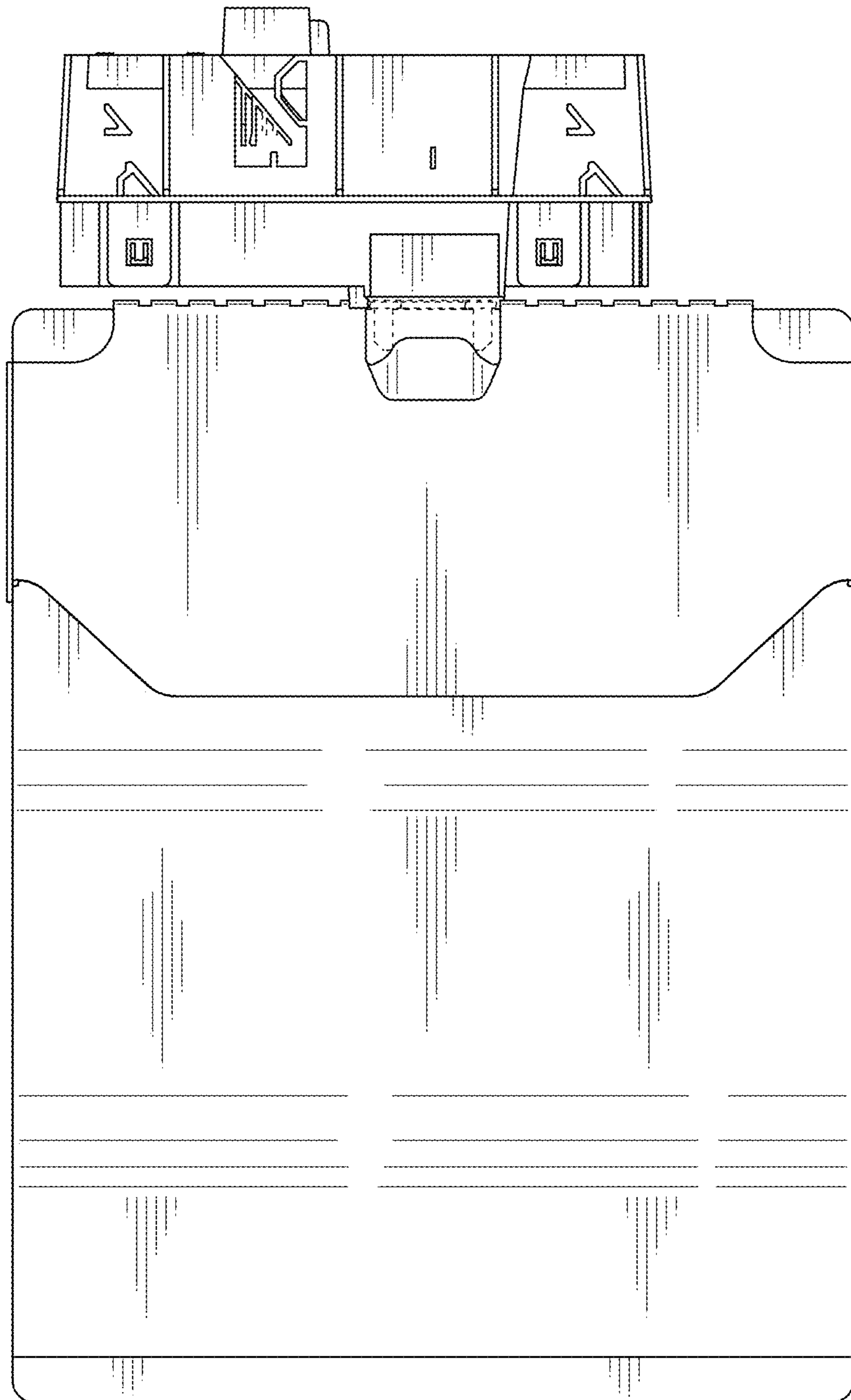


FIG. 4

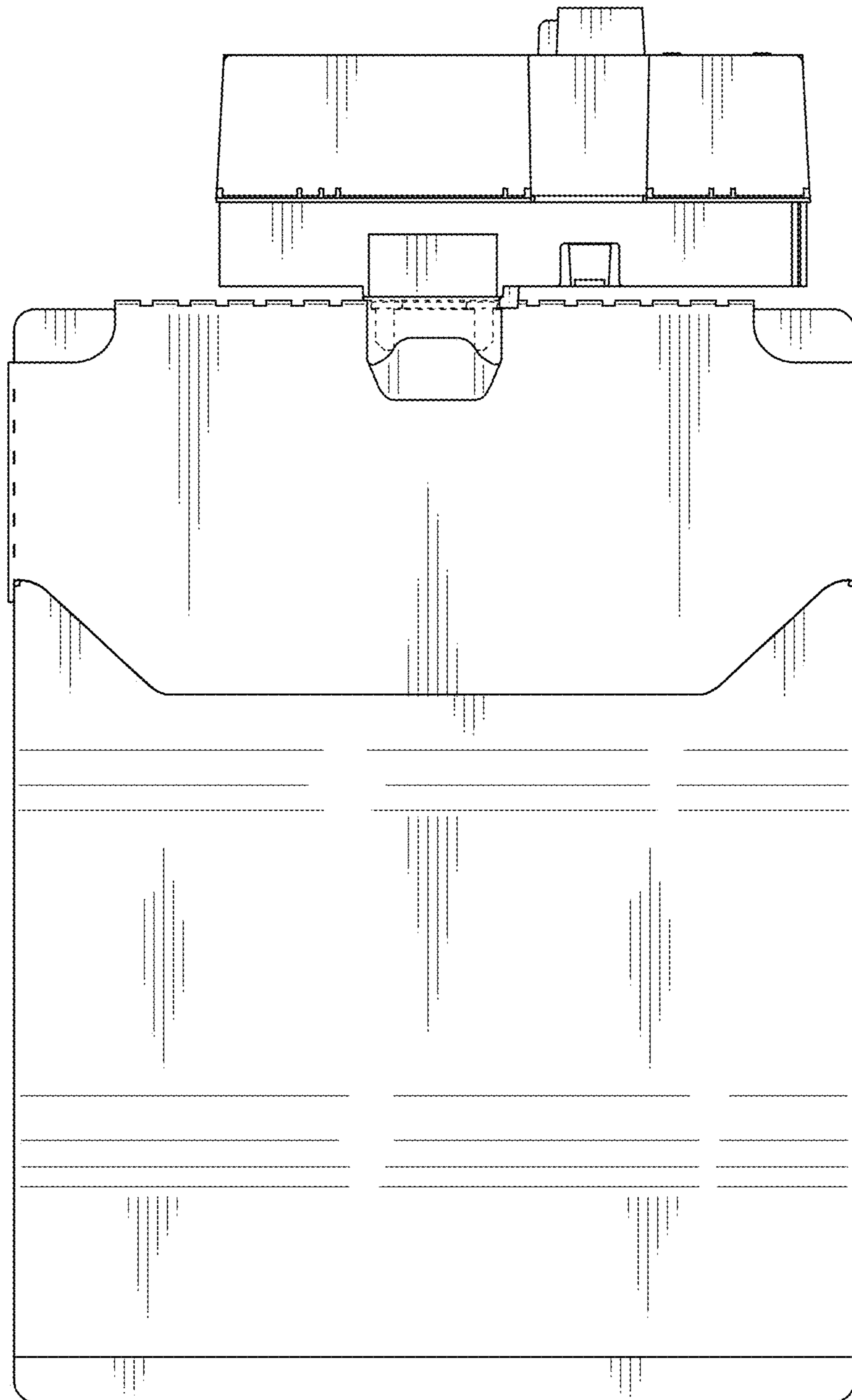


FIG. 5

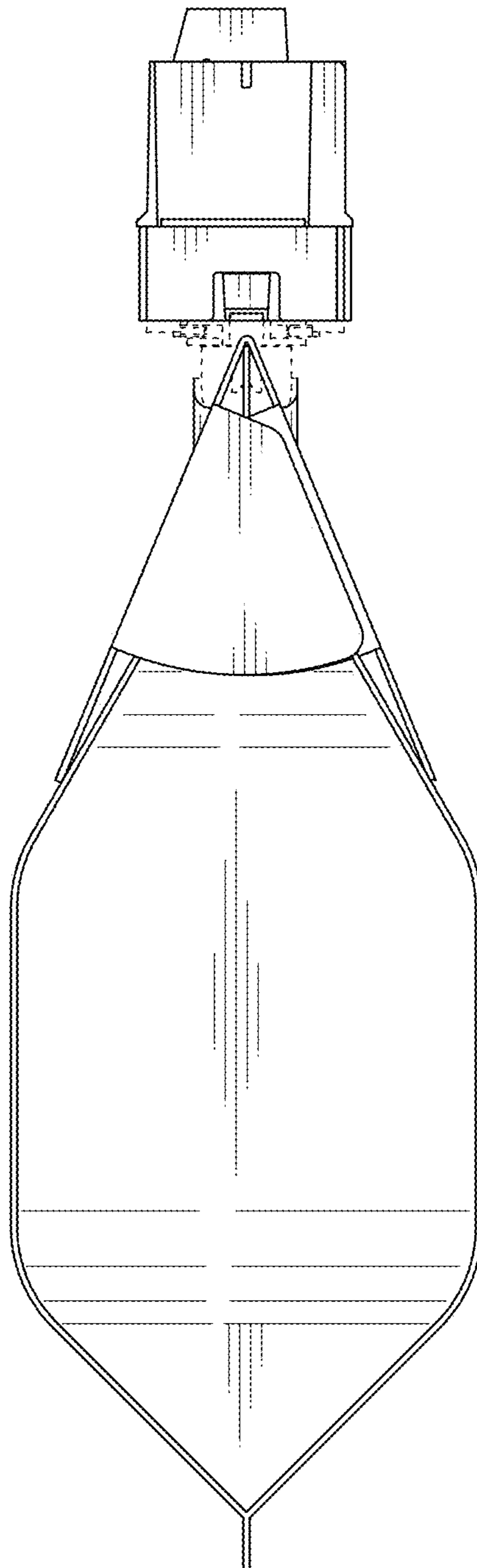


FIG. 6

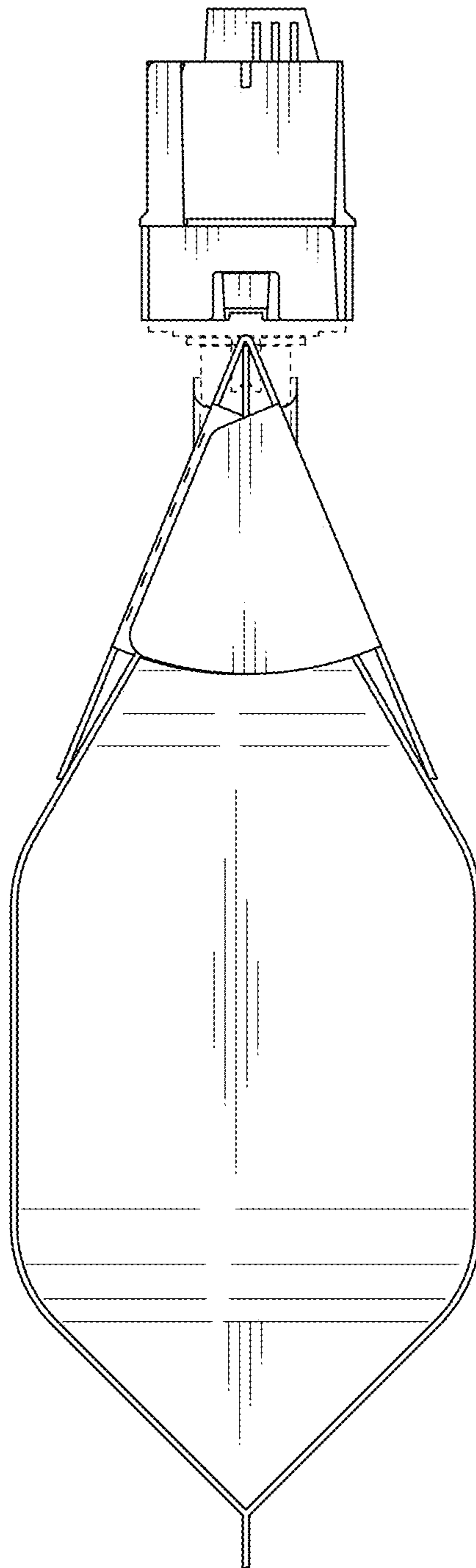


FIG. 7

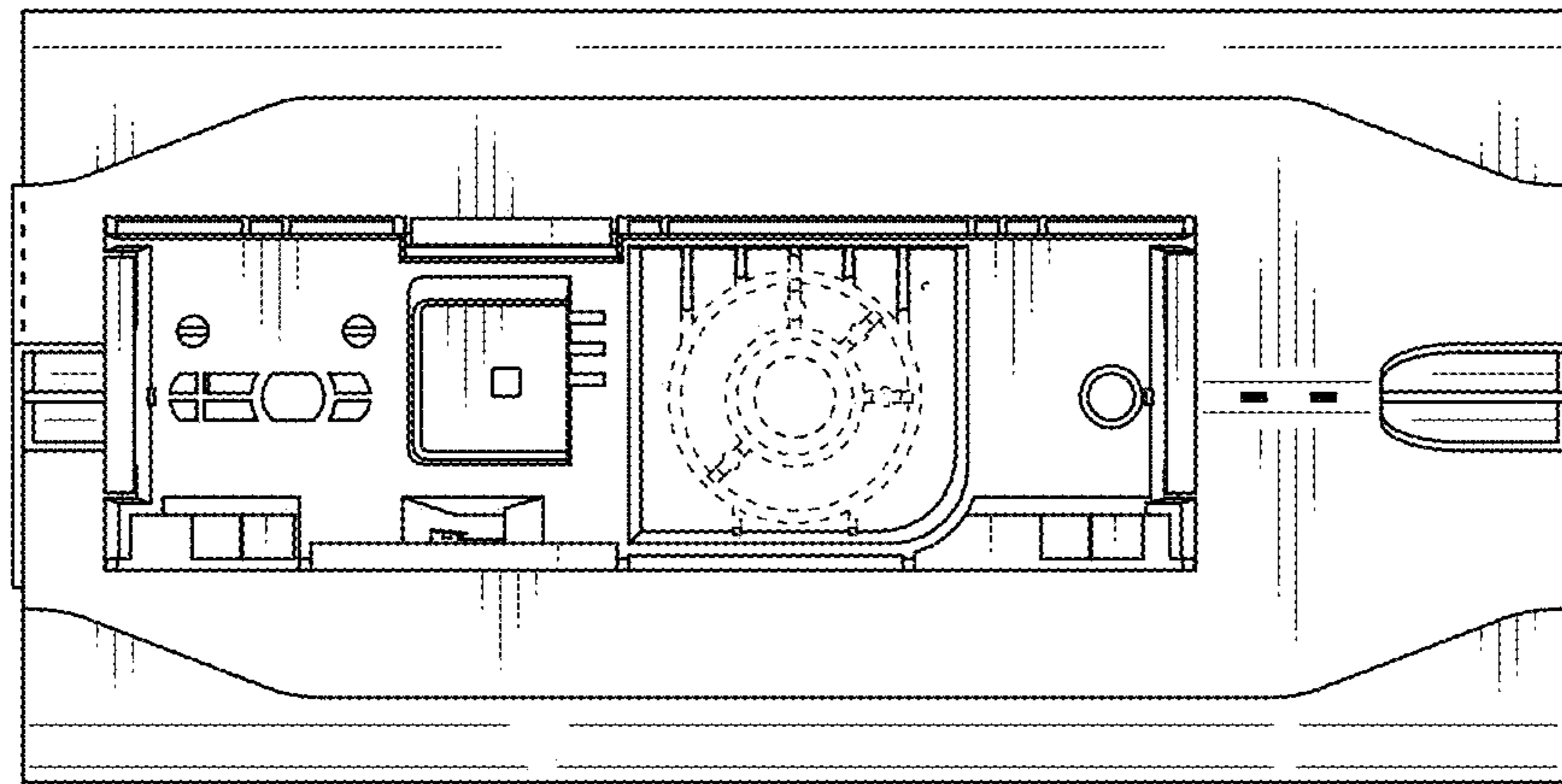


FIG. 8

