



US00D998678S

(12) **United States Design Patent** (10) **Patent No.:** **US D998,678 S**
Su et al. (45) **Date of Patent:** **** Sep. 12, 2023**

(54) **CAMERA**

(56) **References Cited**

(71) Applicant: **ARASHI VISION INC.**, Shenzhen (CN)

U.S. PATENT DOCUMENTS

(72) Inventors: **Wen Su**, Guangdong (CN); **Jingkang Liu**, Guangdong (CN); **Fei Gao**, Guangdong (CN); **Meihua Cao**, Guangdong (CN)

D475,381 S *	6/2003	Komatsu	D16/202
D732,594 S *	6/2015	Kawa	D16/202
D816,752 S *	5/2018	Kim	D16/202
D852,256 S *	6/2019	Bai	D16/218
D867,426 S *	11/2019	Huang	D16/202
D871,483 S *	12/2019	Chang	D16/208
D879,175 S *	3/2020	Matsumoto	D16/202
D888,130 S *	6/2020	Kintner	D16/218
D900,911 S *	11/2020	Muhlenkamp, IV	D16/210
D910,735 S *	2/2021	Wexler	D16/218
D912,716 S *	3/2021	Sasaki	D16/202
D939,604 S *	12/2021	Su	D16/202
D966,387 S *	10/2022	Kawa	D16/200

(73) Assignee: **ARASHI VISION INC.**, Shenzhen (CN)

(**) Term: **15 Years**

(21) Appl. No.: **35/515,384**

* cited by examiner

(22) Filed: **Sep. 29, 2022**

Primary Examiner — Ramzi Almatrahi

(80) **Hague Agreement Data**

(74) *Attorney, Agent, or Firm* — PV IP PC; Wei Te Chung; Zhigang Ma

Int. Filing Date: **Sep. 29, 2022**

Int. Reg. No.: **DM/223940**

Int. Reg. Date: **Sep. 29, 2022**

Int. Reg. Pub. Date: **Oct. 21, 2022**

(57) **CLAIM**

The ornamental design for a camera, as shown and described.

(30) **Foreign Application Priority Data**

DESCRIPTION

Apr. 1, 2022 (CN) 202230180475.9

(51) **LOC (14) Cl.** **16-01**

(52) **U.S. Cl.**
USPC **D16/202**

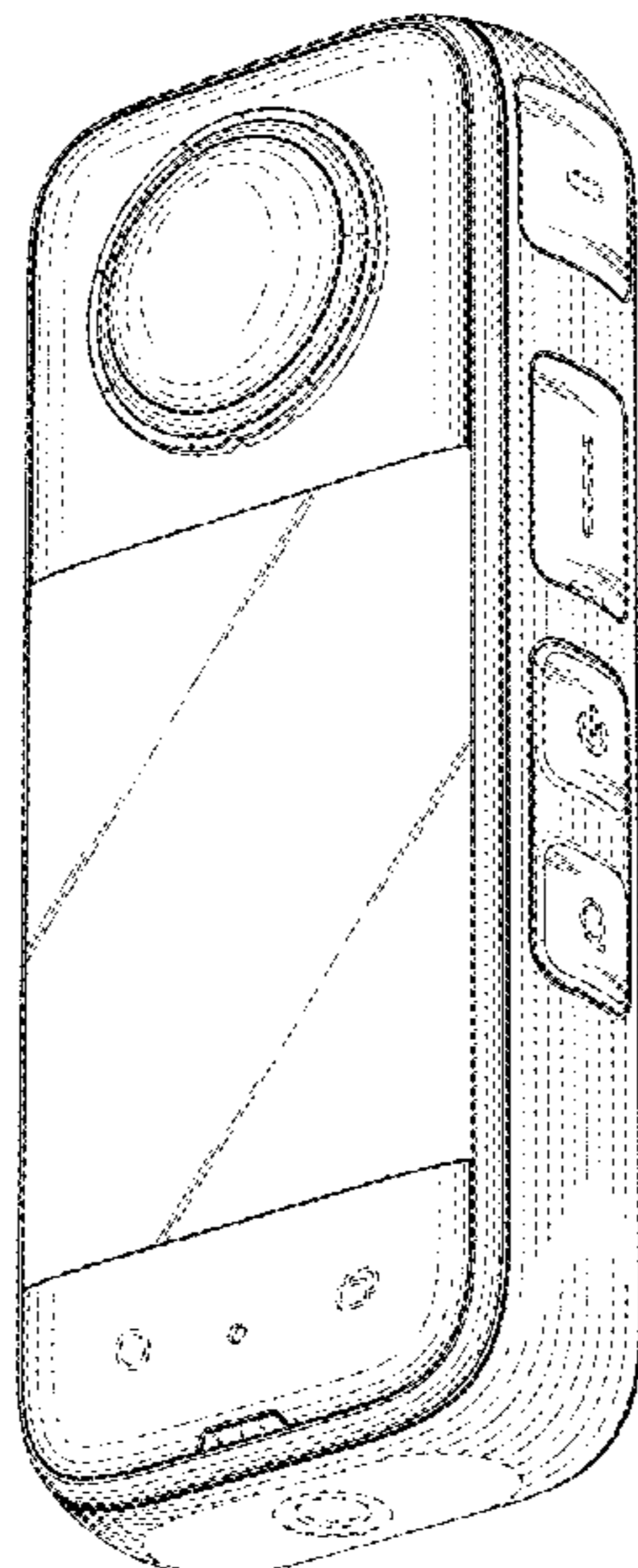
(58) **Field of Classification Search**
USPC D16/200, 202–210, 218, 219
CPC G03B 17/02; G03B 19/04; G03B 17/56;
G03B 17/04; G03B 15/03; H04N 23/50;
H04N 23/51; H04N 23/54; H04N 23/55;
H04N 23/63; H04N 7/181; H04N 7/183;
H04N 7/18; G08B 13/1963; G08B
13/19619; G08B 13/19632

- 1. Camera
- 1.1 : Front
- 1.2 : Back
- 1.3 : Left
- 1.4 : Right
- 1.5 : Top
- 1.6 : Bottom
- 1.7 : Perspective

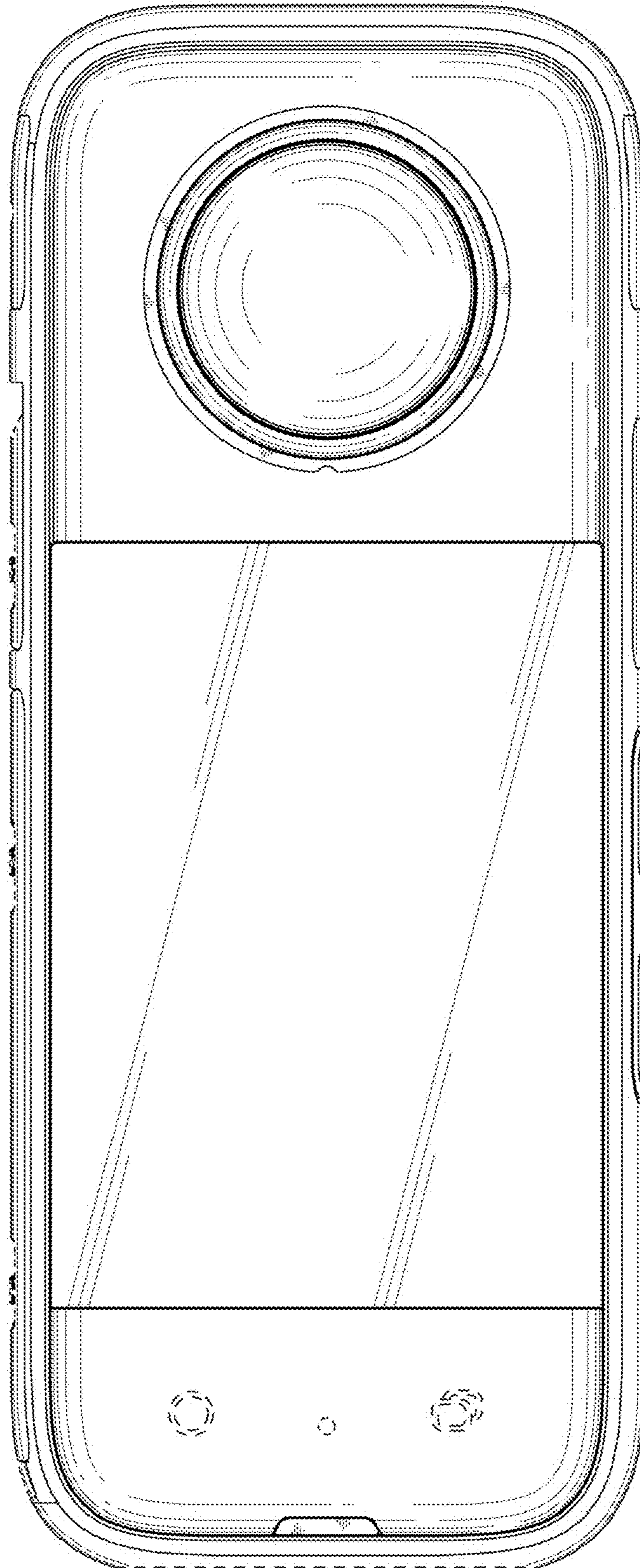
The broken lines depict portions of the camera in which the design is embodied that form no part of the claimed design.

See application file for complete search history.

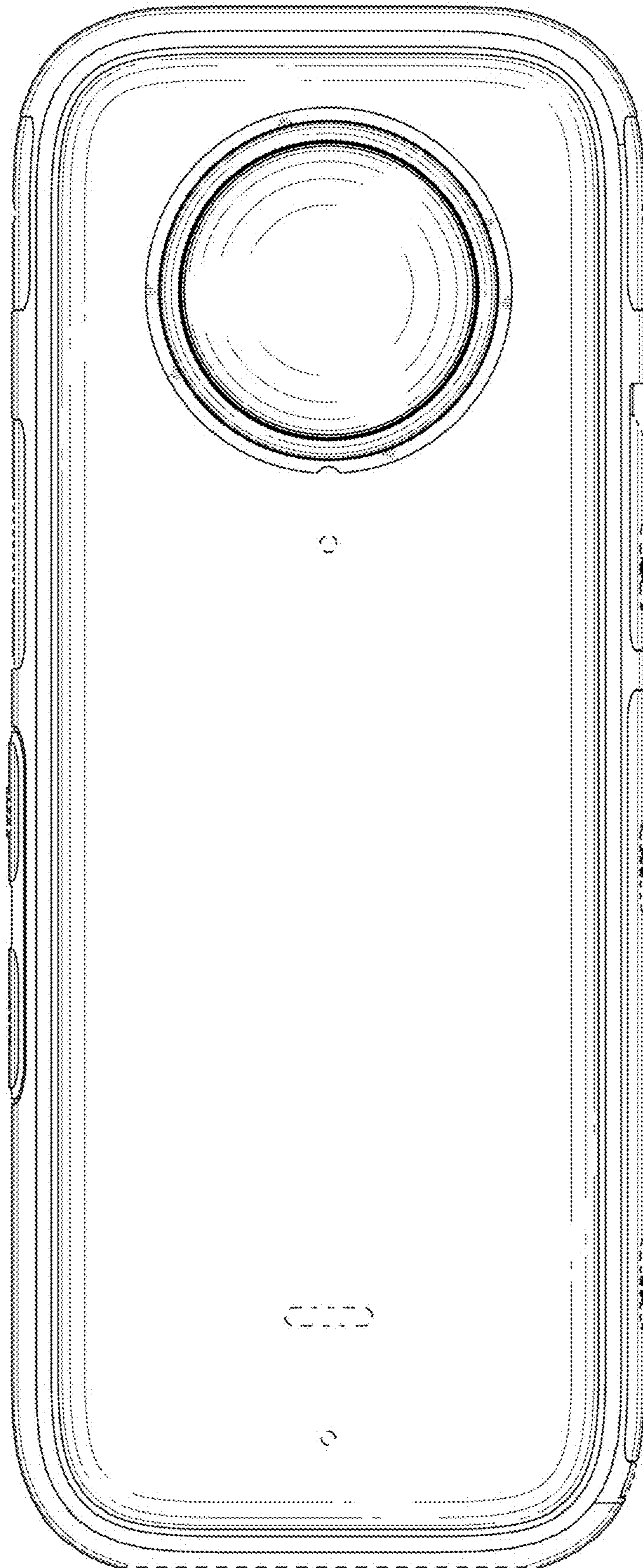
1 Claim, 7 Drawing Sheets



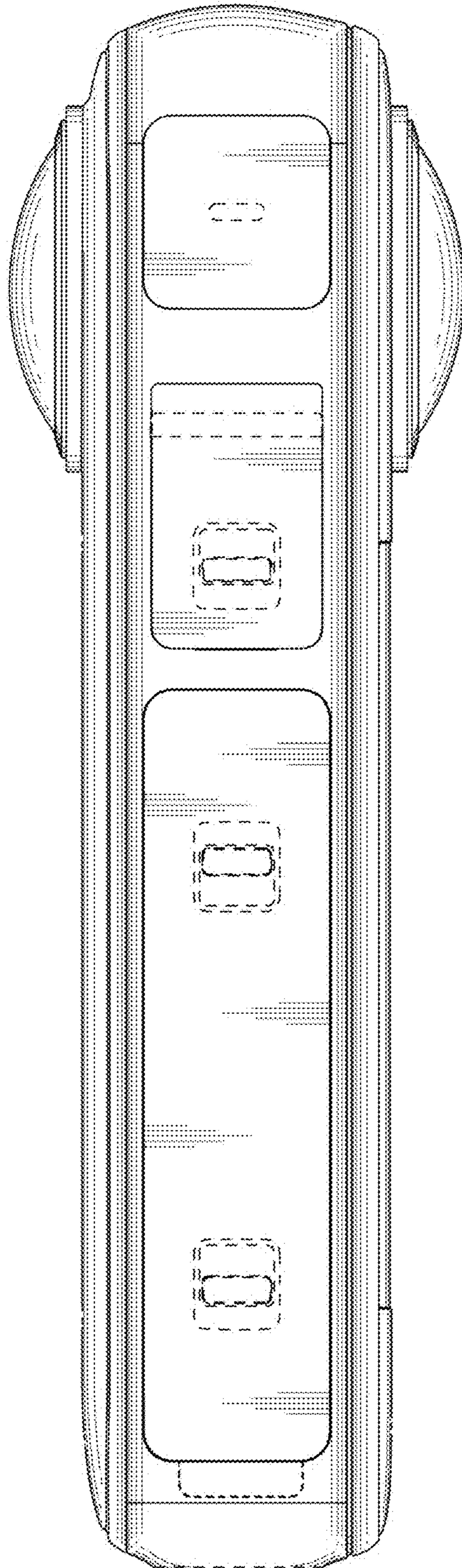
1.1



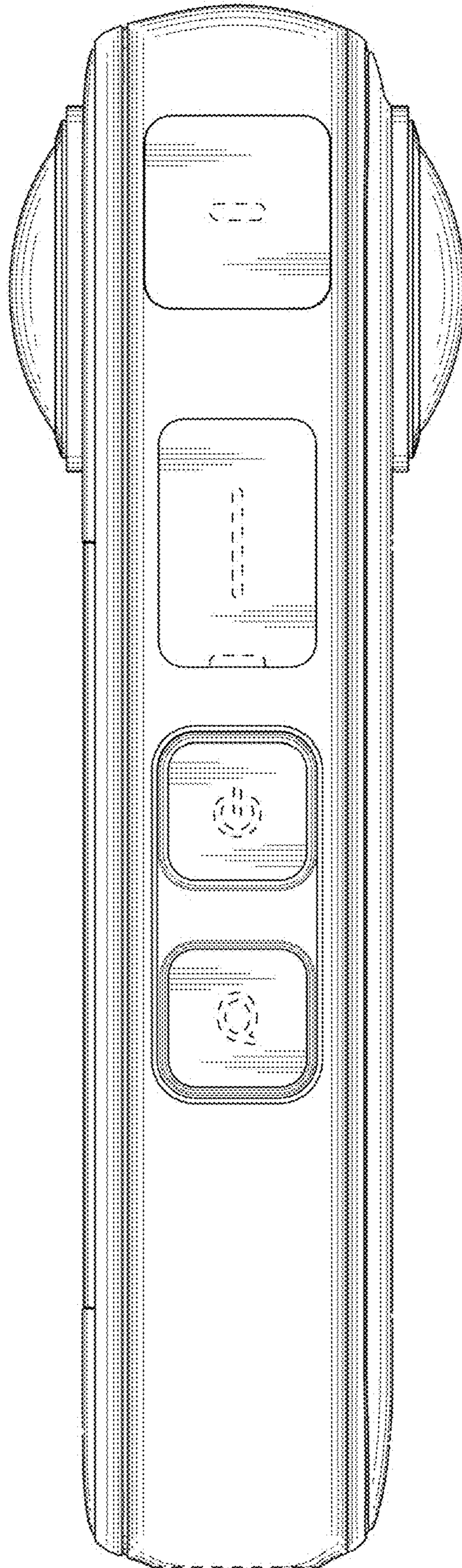
1.2



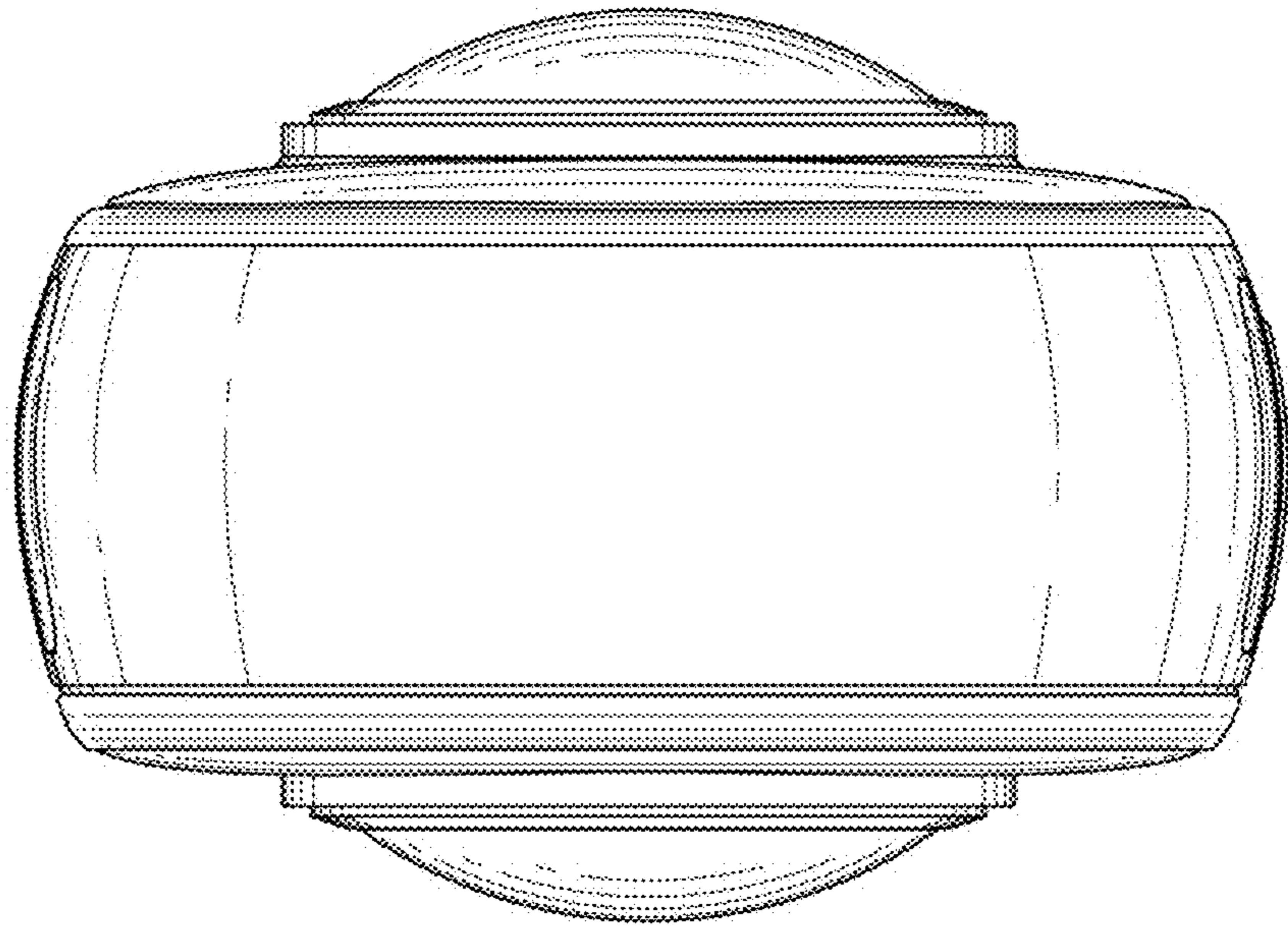
1.3



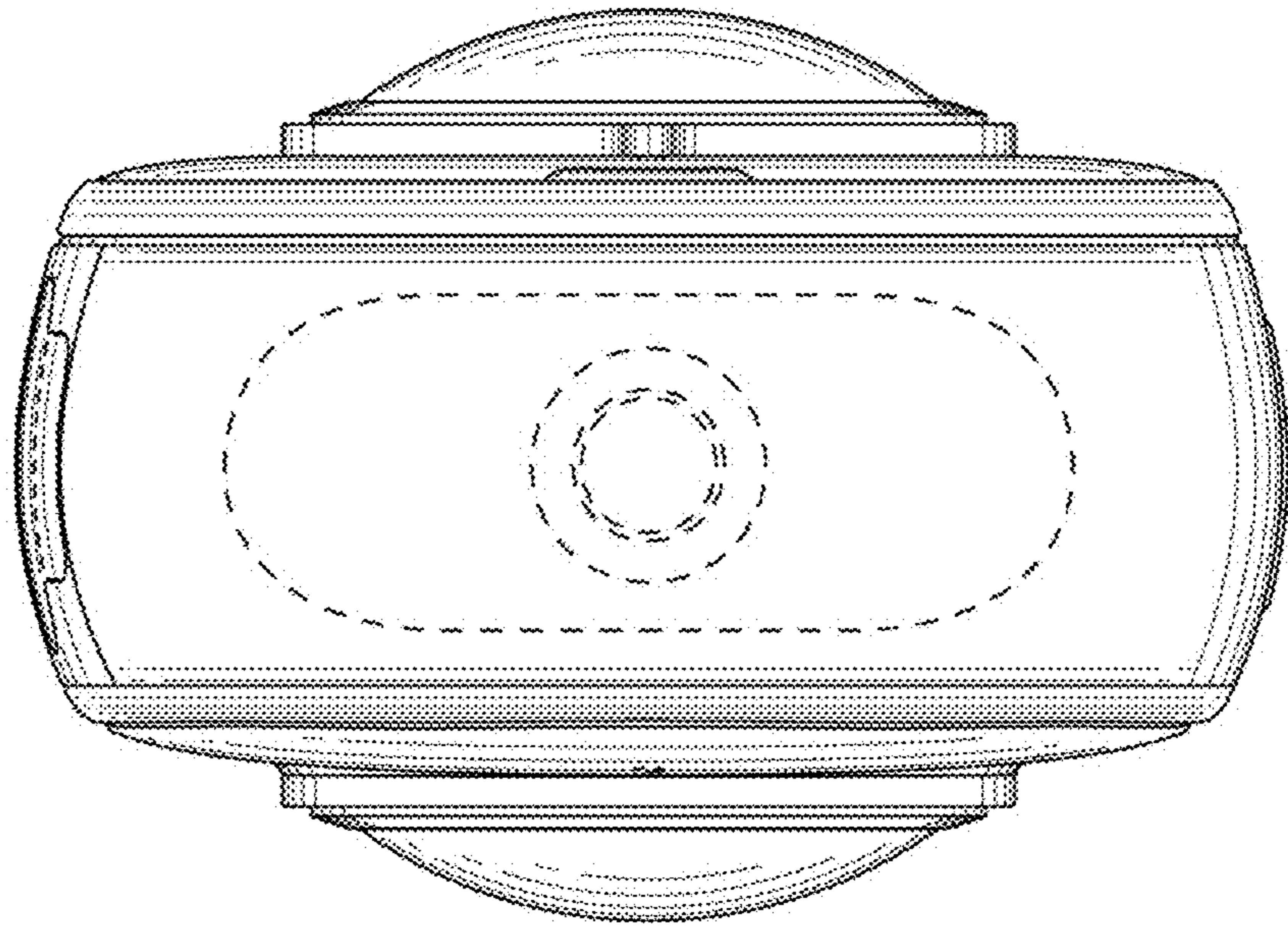
1.4



1.5



1.6



1.7

