



US00D998610S

(12) **United States Design Patent**  
**Mai et al.**

(10) **Patent No.:** **US D998,610 S**  
(45) **Date of Patent:** **\*\* Sep. 12, 2023**

(54) **WEARABLE DEVICE**

(71) Applicants: **Zepp, Inc.**, Cupertino, CA (US); **Anhui Huami Information Technology Co., Ltd.**, Hefei (CN)

(72) Inventors: **Nhan Thanh Mai**, Cupertino, CA (US); **Wei Zheng**, Anhui (CN)

(73) Assignees: **Zepp, Inc.**, Cupertino, CA (US); **Anhui Huami Information Technology Co., Ltd.**, Anhui (CN)

(\*\*) Term: **15 Years**

(21) Appl. No.: **29/749,648**

(22) Filed: **Sep. 8, 2020**

(51) **LOC (14) Cl.** ..... **14-02**

(52) **U.S. Cl.**  
USPC ..... **D14/344**

(58) **Field of Classification Search**  
USPC .... D14/138 R, 344; D10/30, 31, 32, 38, 70;  
D11/3; D24/167

(Continued)

(56) **References Cited**

**U.S. PATENT DOCUMENTS**

D751,550 S 3/2016 Solomon et al.  
D760,717 S 7/2016 Solomon et al.

(Continued)

**FOREIGN PATENT DOCUMENTS**

CN 303803765 S 8/2016  
JP 1656813 S 4/2020

(Continued)

**OTHER PUBLICATIONS**

Amazfit GTS 2 Mini Smart Watch GPS Fitness Tracker for Men Women, www.amazon.com, Dec. 1, 2020. <https://www.amazon.com/Amazfit-Fitness-Super-Light-Measurement-Monitoring/dp/B08PCYKXV5> (Year: 2020).\*

(Continued)

*Primary Examiner* — Llorelys Martinez

*Assistant Examiner* — Kwabena A. Ankobiah

(74) *Attorney, Agent, or Firm* — Young Basile Hanlon & MacFarlane, P.C.

(57) **CLAIM**

The ornamental design for a wearable device, as shown and described.

**DESCRIPTION**

FIG. 1 is a top, front, and right perspective view of a first embodiment of the wearable device showing our new design.

FIG. 2 is a front view of the wearable device of FIG. 1.

FIG. 3 is a rear view of the wearable device of FIG. 1.

FIG. 4 is a left side view of the wearable device of FIG. 1.

FIG. 5 is a right side view of the wearable device of FIG. 1.

FIG. 6 is a top view of the wearable device of FIG. 1.

FIG. 7 is a bottom view of the wearable device of FIG. 1.

FIG. 8 is a top, front, and right perspective view of a second embodiment of the wearable device.

FIG. 9 is a front view of the wearable device of FIG. 8.

FIG. 10 is a rear view of the wearable device of FIG. 8.

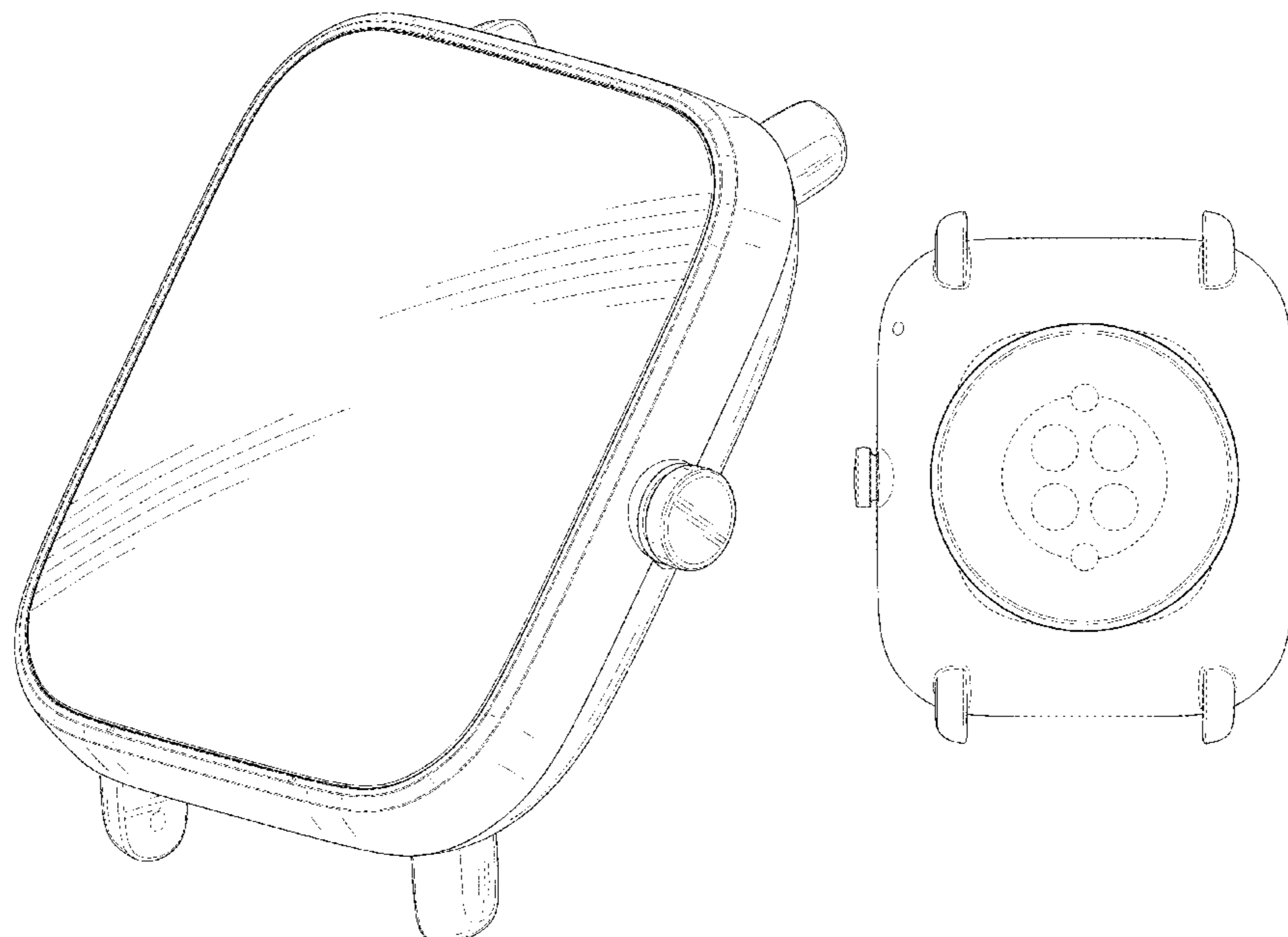
FIG. 11 is a left side view of the wearable device of FIG. 8.

FIG. 12 is a right side view of the wearable device of FIG. 8.

FIG. 13 is a top view of the wearable device of FIG. 8; and, FIG. 14 is a bottom view of the wearable device of FIG. 8.

The broken lines in the drawings illustrate portions of the wearable device that form no part of the claimed design.

**1 Claim, 6 Drawing Sheets**



(58) **Field of Classification Search**

CPC ..... G04G 17/00; G04G 17/06; G04G 17/08;  
 G04G 17/083; G04G 17/045; G04G  
 21/00; G04G 21/02; G04G 21/025; G04G  
 21/06; G04G 21/08; G04G 99/006; G06F  
 1/163; A44C 5/00; A44C 5/0007; A44C  
 5/0015; A44C 5/0045; A44C 5/0053;  
 A44C 5/2052; A44C 5/2071

See application file for complete search history.

D970,500 S \* 11/2022 Tang ..... D14/344  
 D971,207 S \* 11/2022 Zhu ..... D14/344  
 D971,208 S \* 11/2022 Hu ..... D14/344  
 D971,914 S \* 12/2022 Wang ..... D14/344

FOREIGN PATENT DOCUMENTS

JP	1664041 S	7/2020
KR	300976651 S	10/2018
KR	301064229 S	6/2020
KR	301068149 S	7/2020

(56) **References Cited**

U.S. PATENT DOCUMENTS

D802,587 S \* 11/2017 Lee ..... D14/344  
 D866,350 S \* 11/2019 Park ..... D14/344  
 D876,244 S \* 2/2020 Park ..... D10/32  
 D887,406 S \* 6/2020 Mao ..... D14/344  
 D889,459 S \* 7/2020 Zhang ..... D14/344  
 D915,398 S \* 4/2021 Yu ..... D14/344  
 D922,376 S \* 6/2021 Zheng ..... D14/344  
 D928,148 S \* 8/2021 Wu ..... D14/344  
 D929,989 S \* 9/2021 Han ..... D14/344  
 D934,860 S \* 11/2021 King ..... D14/344  
 D935,453 S \* 11/2021 Gao ..... D14/344  
 D940,705 S \* 1/2022 Lin ..... D14/344  
 D940,706 S \* 1/2022 Wu ..... D14/344  
 D947,840 S \* 4/2022 Akana ..... D14/344  
 D951,108 S \* 5/2022 Huang ..... D14/344  
 D962,230 S \* 8/2022 Gao ..... D14/344  
 D962,231 S \* 8/2022 Gao ..... D14/344  
 D962,232 S \* 8/2022 Gao ..... D14/344  
 D962,233 S \* 8/2022 Gao ..... D14/344  
 D962,234 S \* 8/2022 He ..... D14/344  
 D963,639 S \* 9/2022 Zhang ..... D14/344

OTHER PUBLICATIONS

Amazfit Bip U Pro Smart Watch, www.amazon.com, Oct. 30, 2020.  
<https://www.amazon.com/Amazfit-Battery-Fitness-Tracker-Resistant/dp/B08JS3YYLH> (Year: 2020).\*

Promate Technologies; Genuine Leather Strap with Pin-and-Tuck Closure for 42mm Apple Watch; <https://www.promate.net/collections/new-arrivals/products/genio-42?variant=28540287320129>; pp. 1-3; Jun. 20, 2020.

Bonho Inc.; Pinkoi; <http://en.pinkoi.com/zoom/itemimg/E1mVjz4z/0>; pp. 1-7; Aug. 2, 2016.

Asus Design Center; Zen Watch; <https://www.j-platpat.inpit.go.jp/d0200>; pp. 1-3; Jun. 29, 2015.

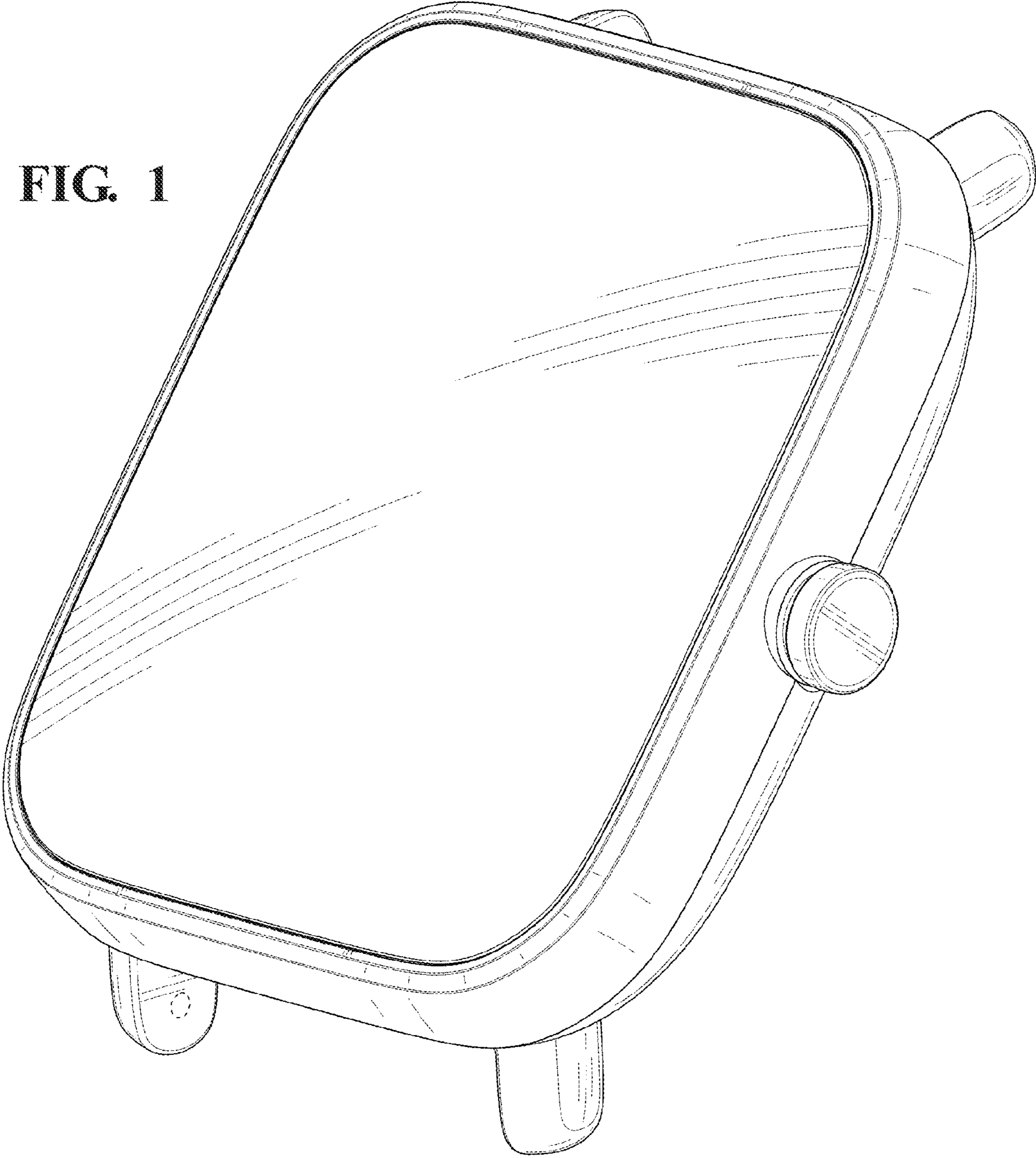
Hermes; Hermes.com; [http://japan.hermes.com/men/for-new-life/watch-apple-hermes-114759.html?\\_ga=2.201707478.638648697.1524456592-1637443437.1524456592](http://japan.hermes.com/men/for-new-life/watch-apple-hermes-114759.html?_ga=2.201707478.638648697.1524456592-1637443437.1524456592); p. 103; Apr. 24, 2018.

Amazon.com, Inc.; Amazon.com: Updated 2019 Version Smart Watch for Android iOS Phone, Ac; pp. 1-4; Jul. 16, 2019.

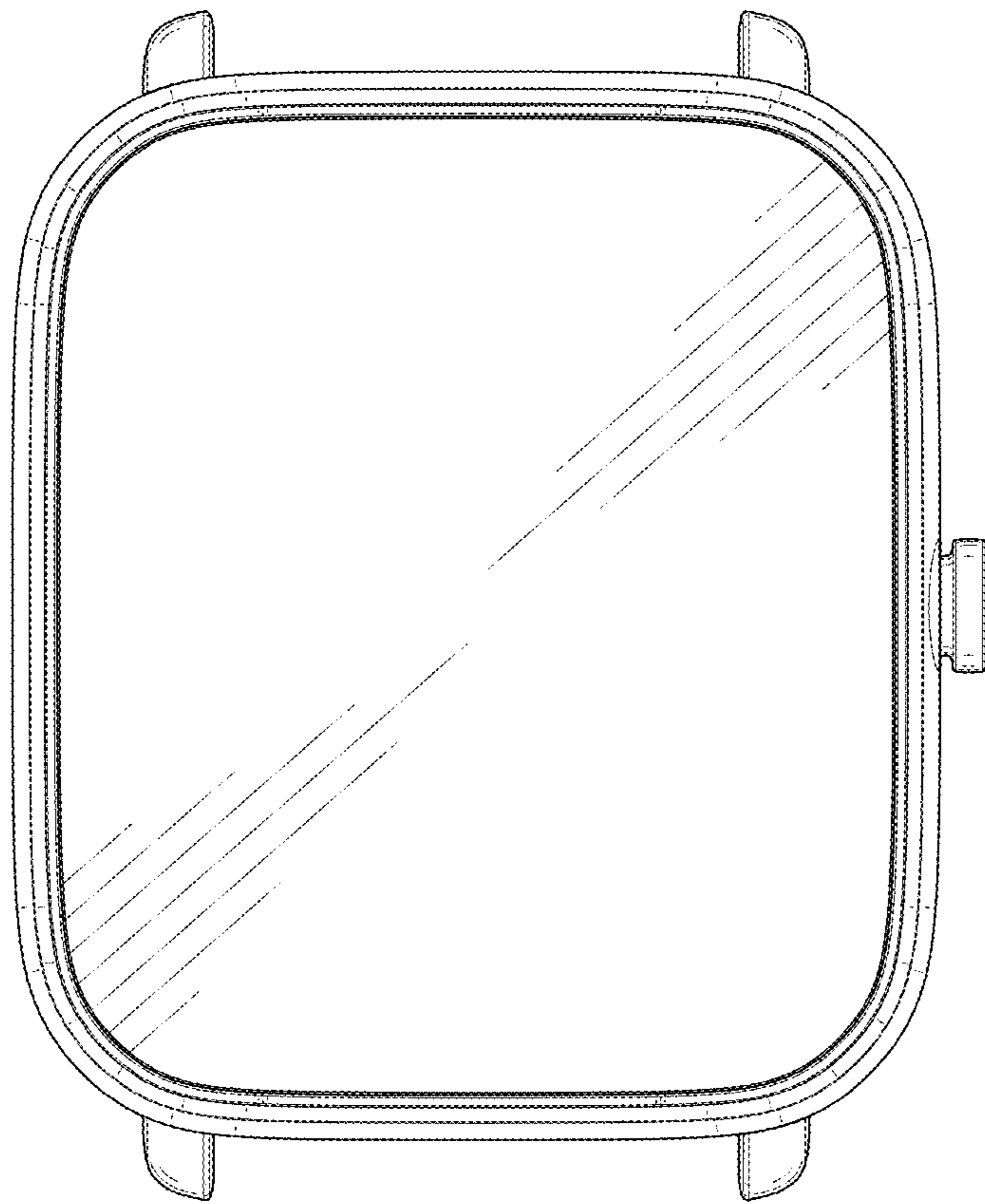
Spad; ASUS Zen Watch 2; <http://gpad.tv/develop/asus-japan-zenwatch2-bqc>; pp. 1-3; Apr. 23, 2018.

\* cited by examiner

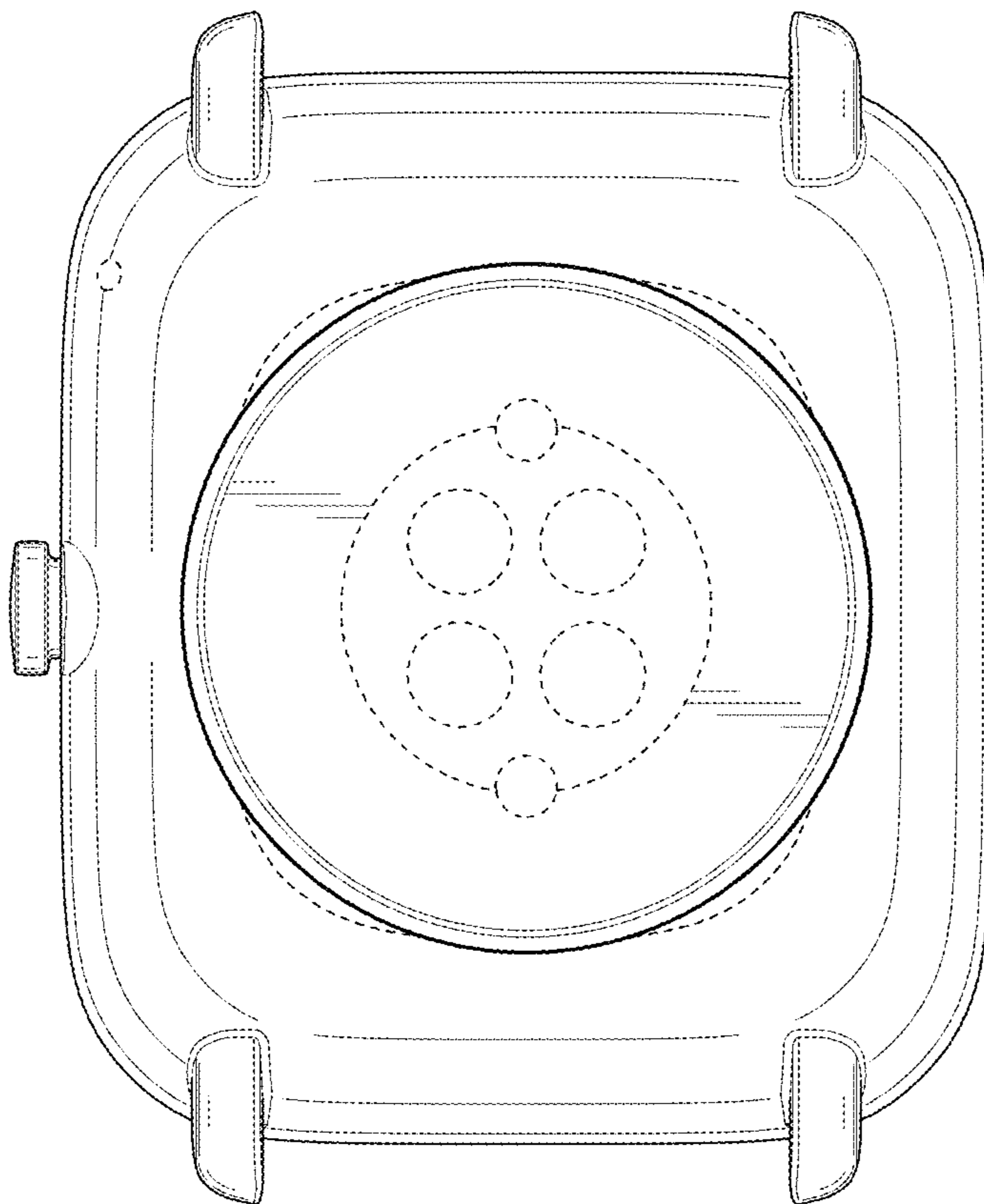
**FIG. 1**



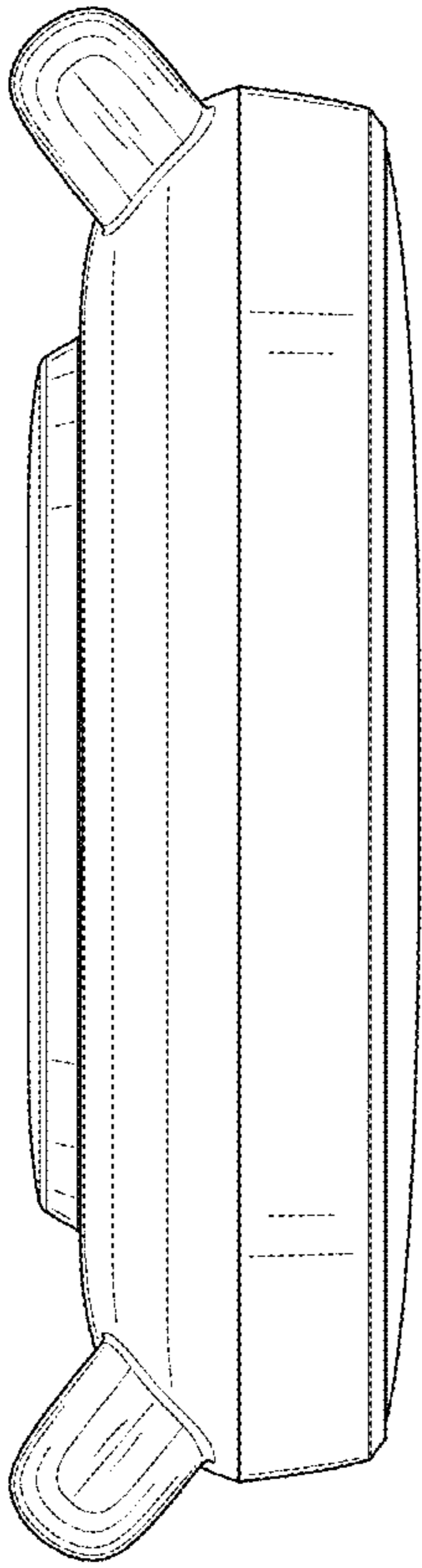




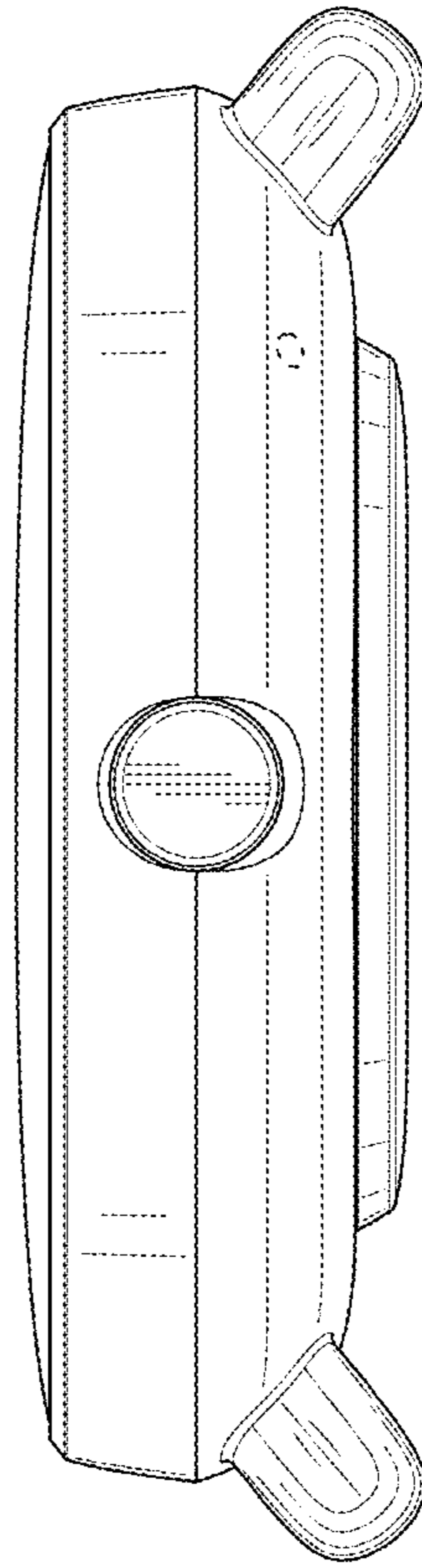
**FIG. 2**



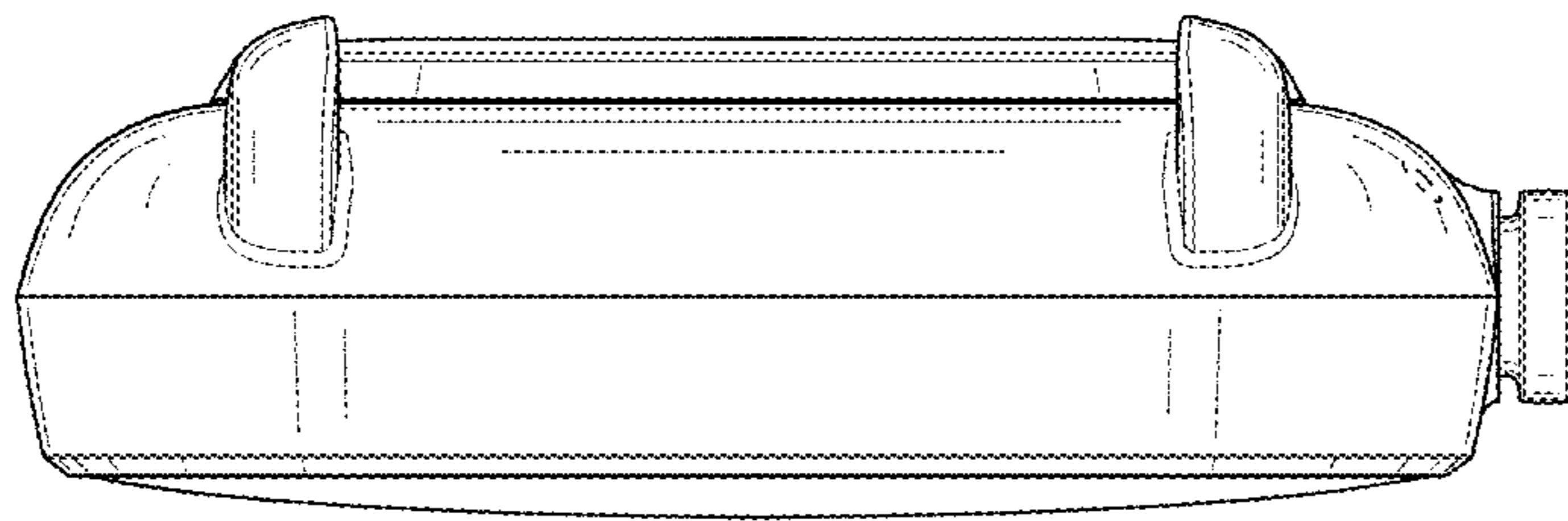
**FIG. 3**



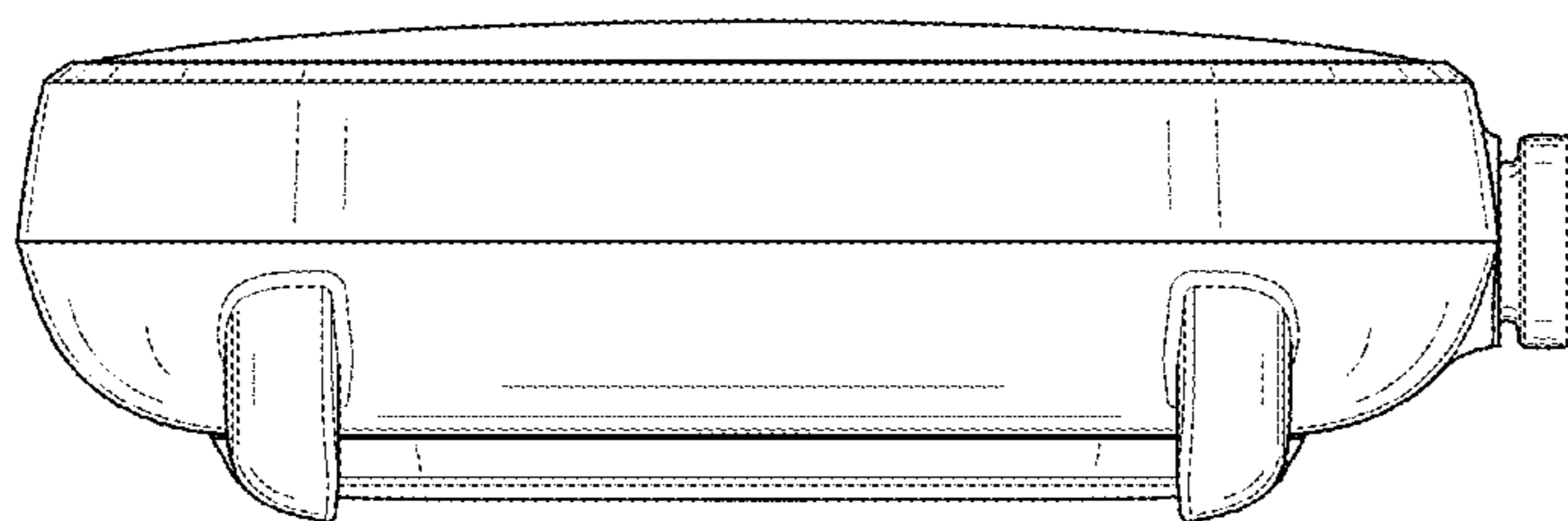
**FIG. 4**



**FIG. 5**

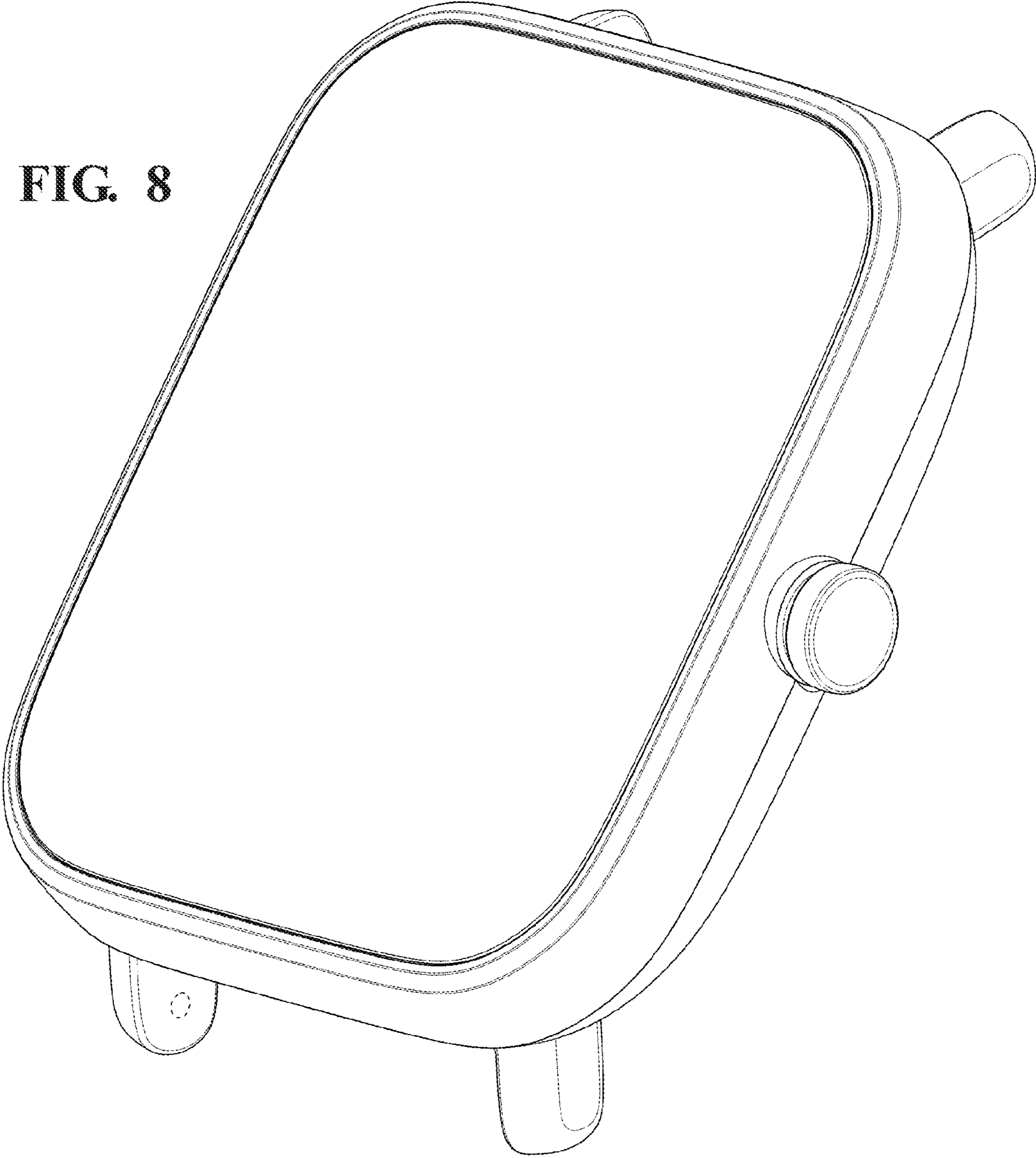


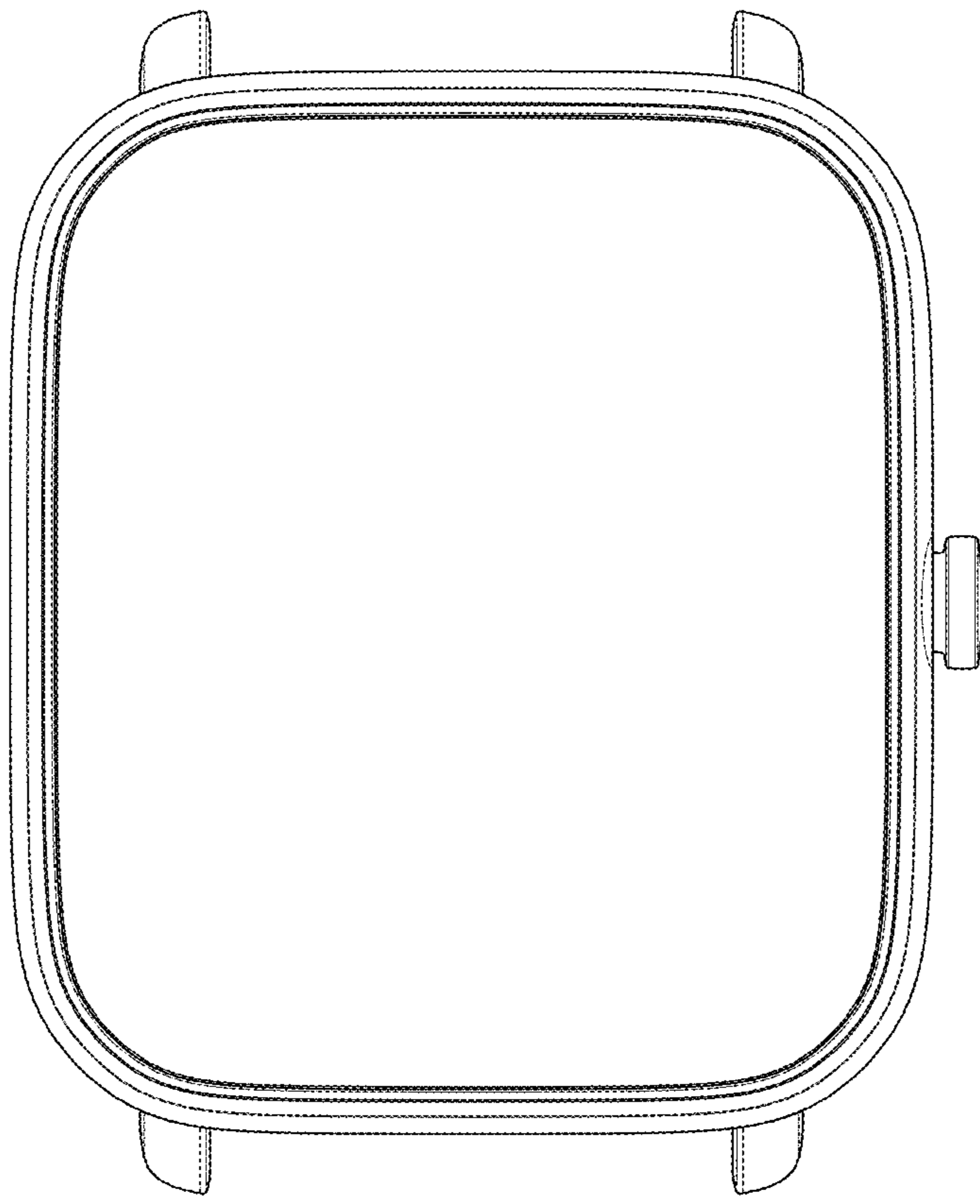
**FIG. 6**



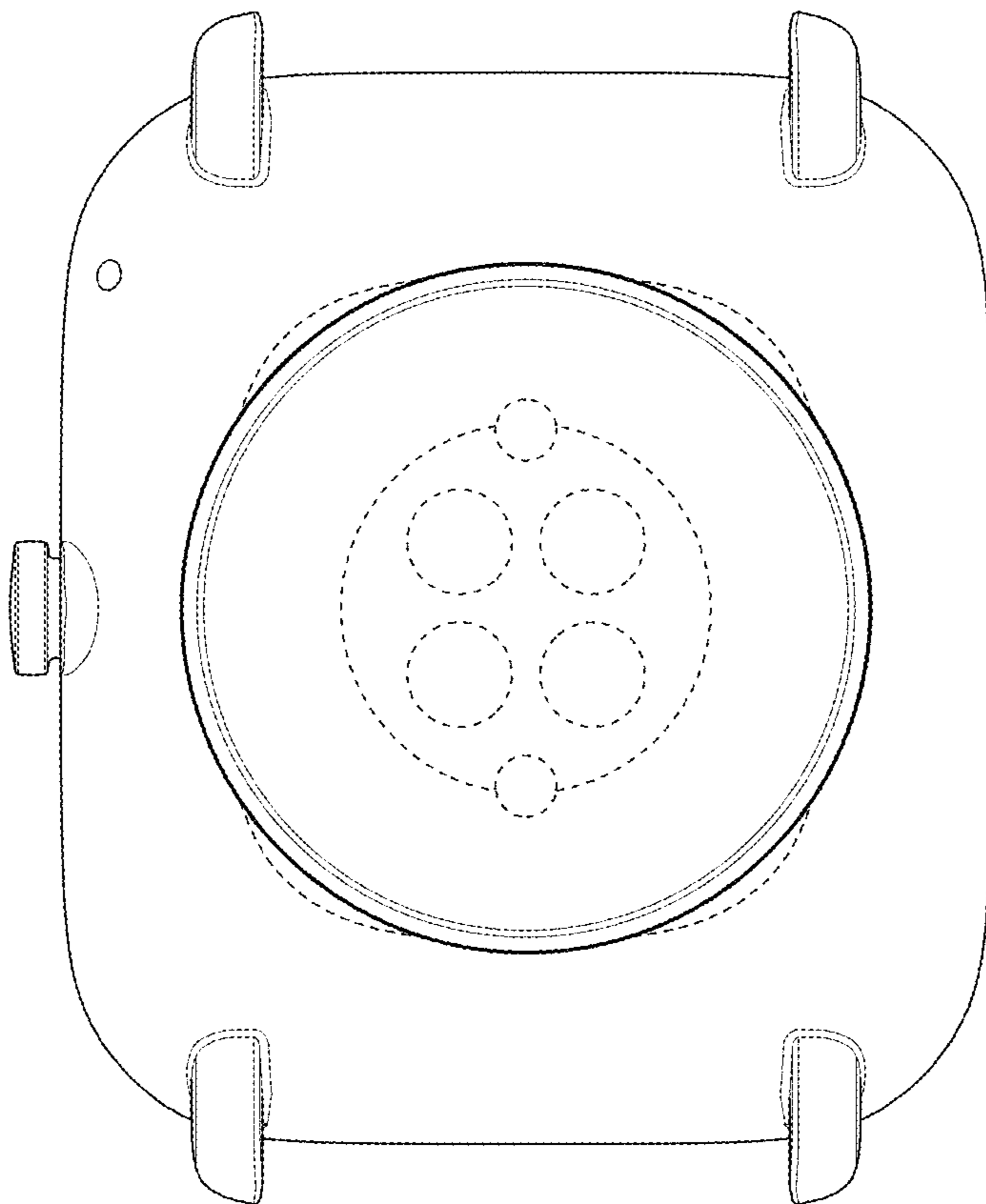
**FIG. 7**

**FIG. 8**

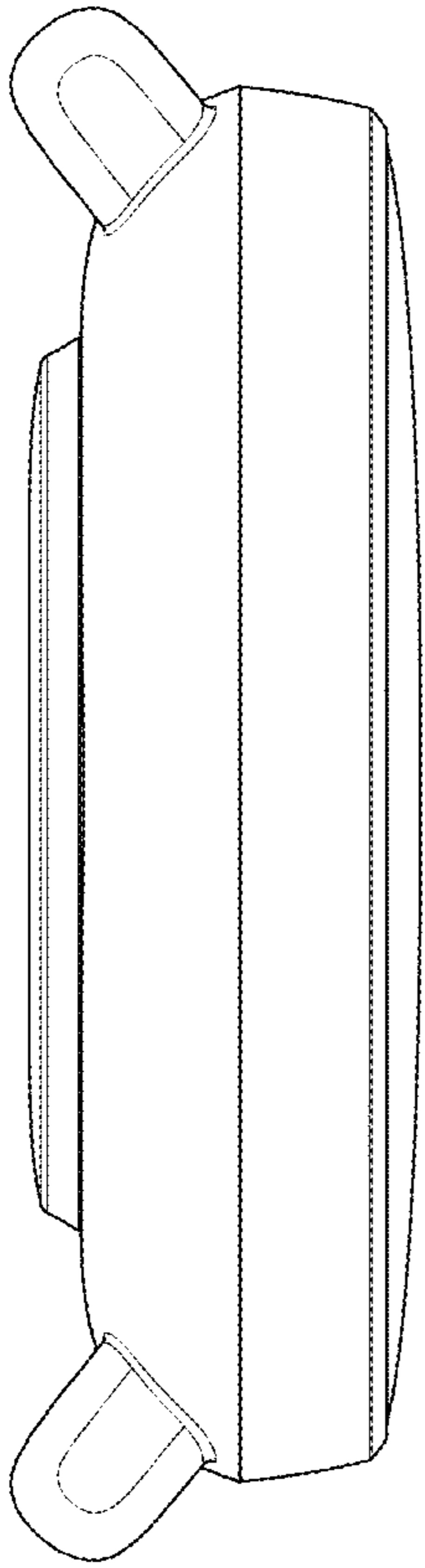




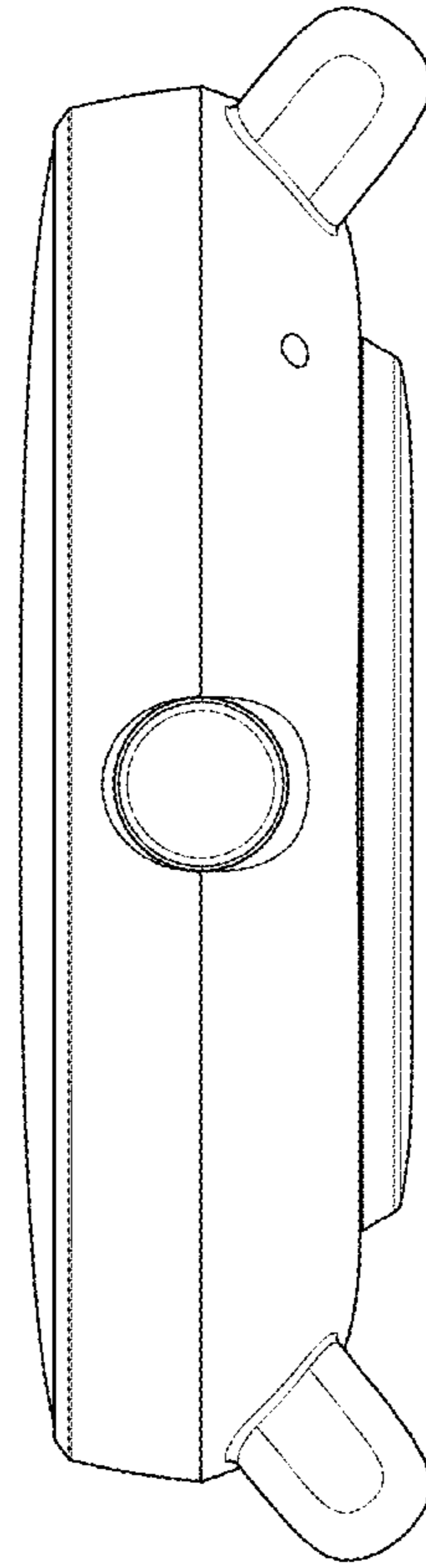
**FIG. 9**



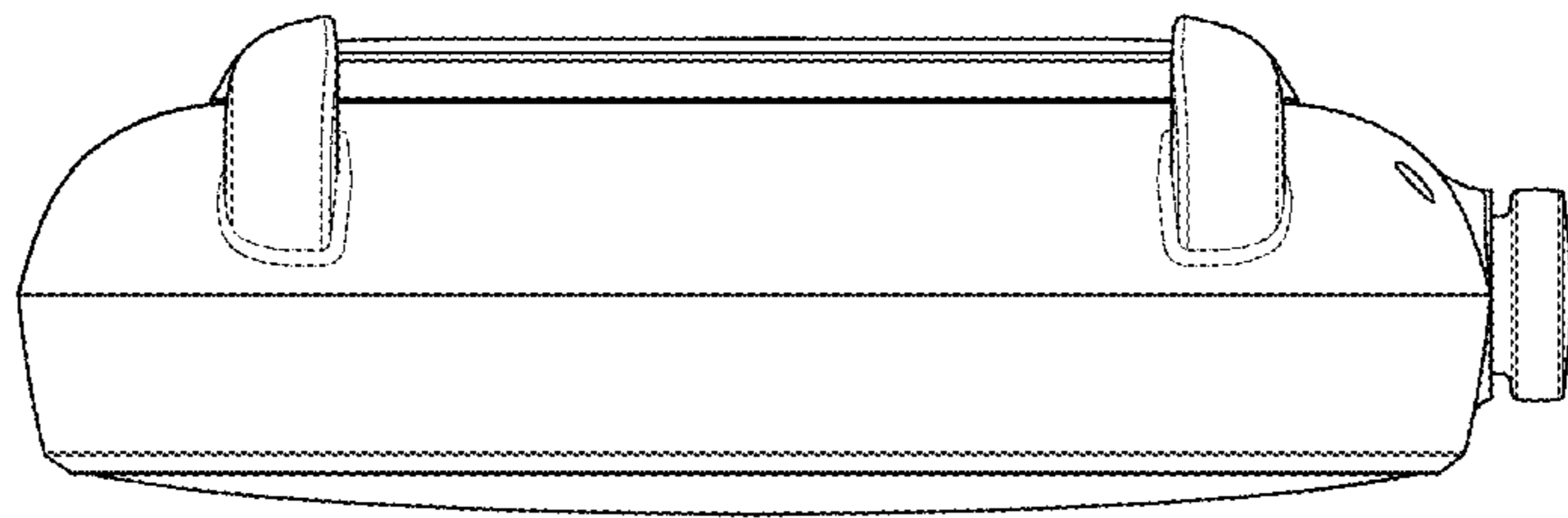
**FIG. 10**



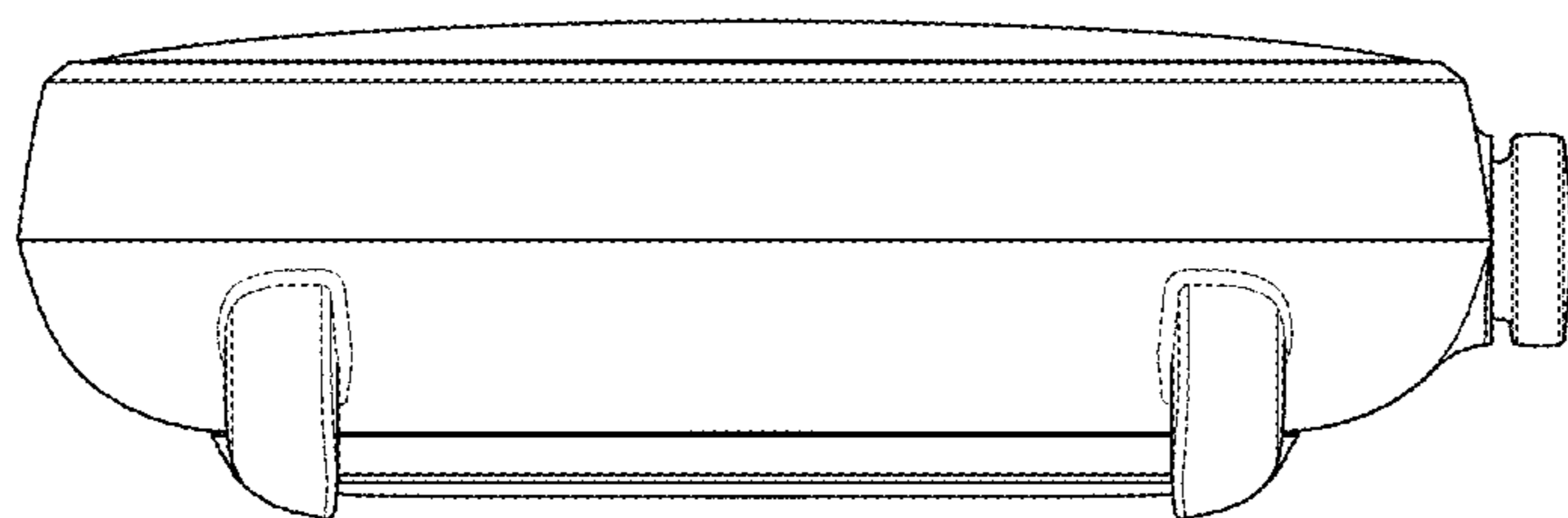
**FIG. 11**



**FIG. 12**



**FIG. 13**



**FIG. 14**