



US00D998599S

(12) **United States Design Patent**
Malik et al.

(10) **Patent No.:** **US D998,599 S**

(45) **Date of Patent:** **** Sep. 12, 2023**

(54) **HANDHELD DEVICE WITH WRAP GRIP**
(71) Applicant: **7-Eleven, Inc.**, Irving, TX (US)
(72) Inventors: **Vivek Malik**, Farmers Branch, TX (US);
Scott Albert, Dallas, TX (US);
Maninder Singh Suri, Irving, TX (US);
Tarang Swadeshkumar Sethia, Frisco,
TX (US); **Gurmeet Singh**, Irving, TX
(US)

(73) Assignee: **7-ELEVEN, INC.**, Irving, TX (US)

(**) Term: **15 Years**

(21) Appl. No.: **29/703,394**

(22) Filed: **Aug. 27, 2019**

(51) **LOC (14) Cl.** **14-02**

(52) **U.S. Cl.**
USPC **D14/426**

(58) **Field of Classification Search**
USPC D14/300, 302, 307, 336, 341, 342, 343,
D14/344, 345, 418, 420, 426, 427, 428;
D18/4.1, 4.2, 4.3, 4.4, 4.5, 4.6, 99
CPC A63B 2225/685; A45C 2011/002; A45F
2200/0516; H01R 29/00; H01R 33/90
See application file for complete search history.

(56) **References Cited**

U.S. PATENT DOCUMENTS

5,410,141	A *	4/1995	Koenck et al.	H02J 9/005 235/462.47
D422,271	S *	4/2000	Kawashima	D14/343
D424,533	S *	5/2000	Kandalepas	D14/342
D463,425	S *	9/2002	Jenkins	D14/347
D512,427	S *	12/2005	Choi et al.	D14/428
D586,345	S *	2/2009	Kim	D14/383
D622,689	S *	8/2010	Ho et al.	D14/138 G
D669,892	S *	10/2012	Hofer et al.	D14/138 G
D674,385	S *	1/2013	Li	D14/341
D675,204	S *	1/2013	Hofer et al.	D14/138 G
D675,205	S *	1/2013	Hofer et al.	D14/138 G
D779,480	S *	2/2017	Abrams	D14/341

D787,509	S *	5/2017	Takiguchi	D14/341
D787,510	S *	5/2017	Kitade	D14/341
D793,389	S *	8/2017	Kim	D14/341
D844,047	S *	3/2019	Yeruva et al.	D18/4.6
D850,446	S *	6/2019	Wang et al.	D18/4.6
D886,190	S *	6/2020	Huang et al.	D18/4.6
D909,384	S *	2/2021	Malik et al.	D14/428

(Continued)

OTHER PUBLICATIONS

"7MD User Manual" [online]. FCC ID Product Datasheet.
[Retrieved on Mar. 2, 2023]. Retrieved from the internet: <https://
fccid.io/2AB7X-WISEPRO>.*

(Continued)

Primary Examiner — Mojtaba Tehrani

(74) *Attorney, Agent, or Firm* — BAKER BOTTS L.L.P.

(57) **CLAIM**

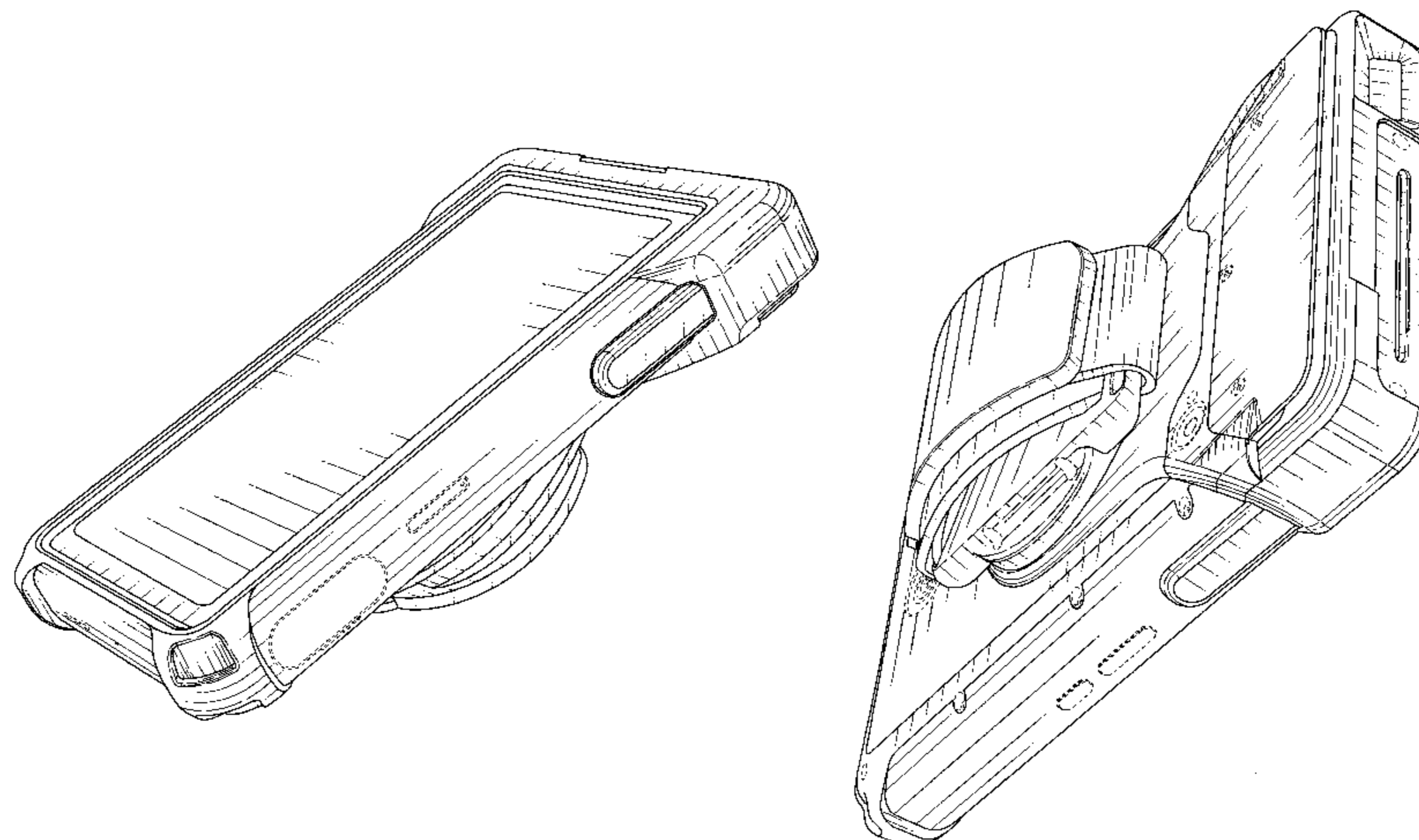
The ornamental design for a Handheld Device with Wrap Grip, as shown and described.

DESCRIPTION

FIG. 1 is a perspective view of a HANDHELD DEVICE WITH WRAP GRIP, showing our new design;
FIG. 2 is another perspective view thereof;
FIG. 3 is another perspective view thereof;
FIG. 4 is another perspective view thereof;
FIG. 5 is another perspective view thereof;
FIG. 6 is another perspective view thereof;
FIG. 7 is another perspective view thereof;
FIG. 8 is another perspective view of thereof;
FIG. 9 is a top view thereof;
FIG. 10 is a bottom view thereof;
FIG. 11 is a side view thereof;
FIG. 12 is another side view thereof;
FIG. 13 is a front view thereof; and
FIG. 14 is a back view thereof.

The broken lines in the drawings of the Handheld Device with Wrap Grip are for showing portions of the article and form no part of the claimed design.

1 Claim, 12 Drawing Sheets



(56)

References Cited

U.S. PATENT DOCUMENTS

D940,232 S * 1/2022 Kangasmaa et al. D18/4.1
 D943,542 S * 2/2022 Albertson D3/249
 D943,584 S * 2/2022 Lim et al. D14/138 G
 11,412,079 B1* 8/2022 James H04B 1/3888
 D960,884 S * 8/2022 Rauer et al. D10/108
 D975,566 S * 1/2023 Haag D14/341
 D975,707 S * 1/2023 Chen et al. D14/336
 D975,708 S * 1/2023 Chen D14/336
 D979,563 S * 2/2023 Zubkov A41D 1/04
 D14/344
 2006/0081666 A1* 4/2006 Chee A45F 5/02
 224/269
 2013/0235546 A1* 9/2013 Sedillo et al. G06F 1/163
 361/809
 2015/0136620 A1* 5/2015 Williams E05B 37/02
 206/216
 2015/0150360 A1* 6/2015 Soriano et al. A45F 5/00
 224/222

2015/0365756 A1* 12/2015 Merenda B65H 75/364
 381/384
 2017/0271829 A1* 9/2017 Kang et al. G06K 7/10881
 2018/0159579 A1* 6/2018 Garcia H04B 1/3888
 2022/0142336 A1* 5/2022 Fang B62J 9/21
 2022/0232938 A1* 7/2022 Poon A45C 13/008
 2023/0044185 A1* 2/2023 Troy et al. H04M 1/04

OTHER PUBLICATIONS

CHINA NATIONAL INTELLECTUAL PROPERTY ADMINIS-
 TRATION, Second Office Action, Application No.
 202030061945.0, dated Jul. 28, 2020, 1 page.
 "Android 11.0 Barcode Scanner Handheld PDA with 1D/2D/QR
 Scanner, IP65 Rugged 4G WiFi GPS for Warehouse Inventory
 Management" [online]. alibaba.com. [Retrieved on Mar. 2, 2023].
 Retrieved from the internet: <https://www.alibaba.com/product-detail/Android-11-0-Barcode-Scanner-Handheld_1600295574377.html>.*

* cited by examiner

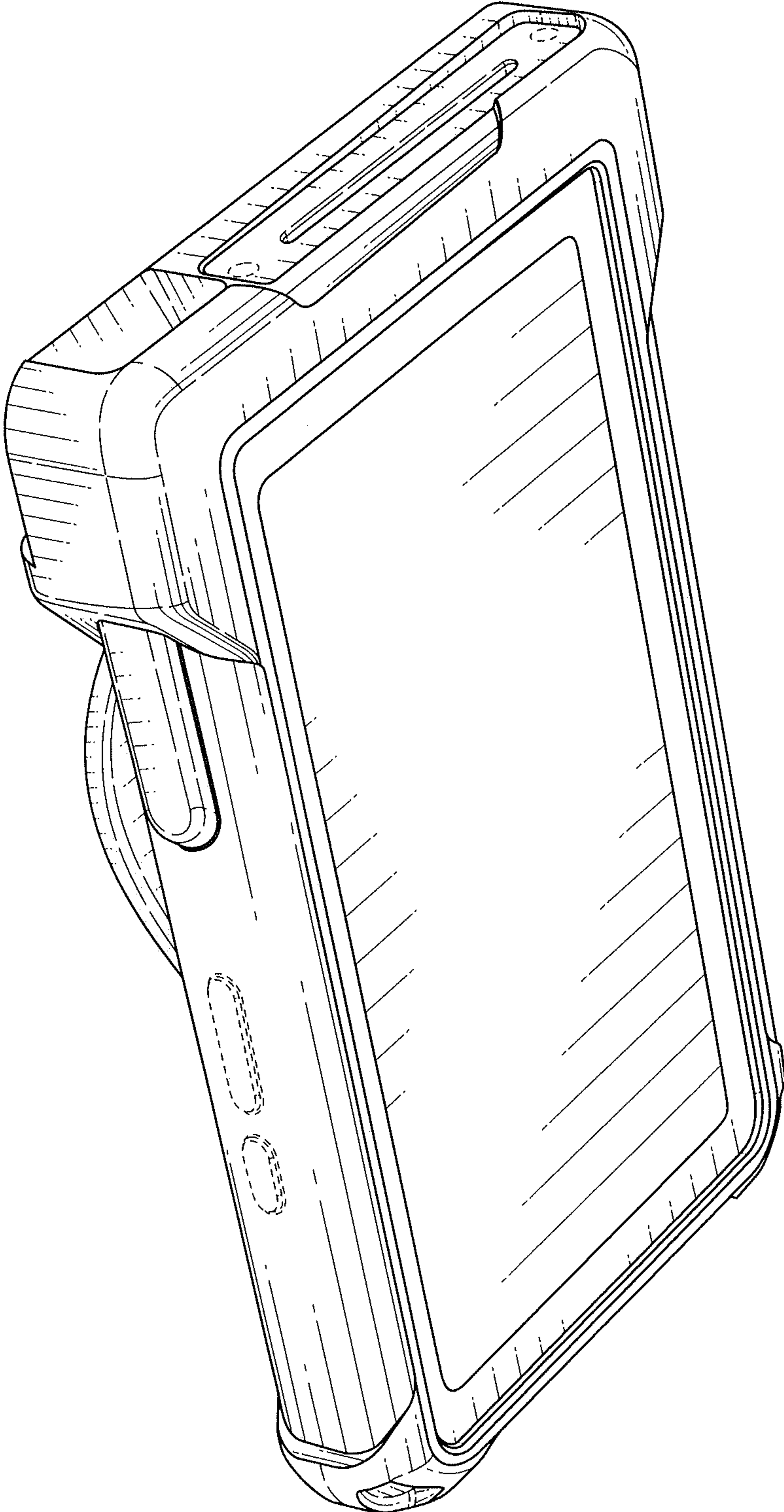


FIG. 1

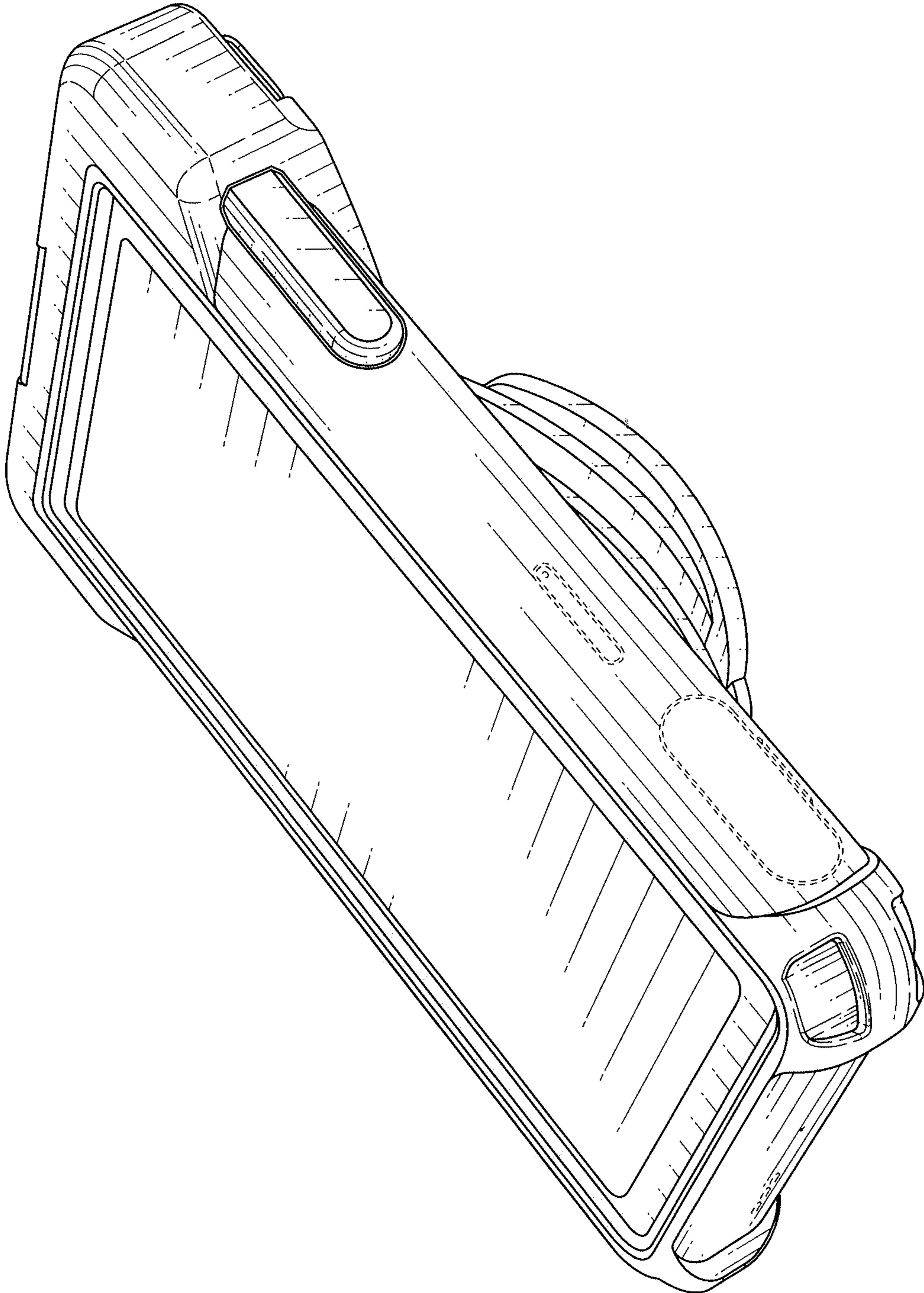


FIG. 2

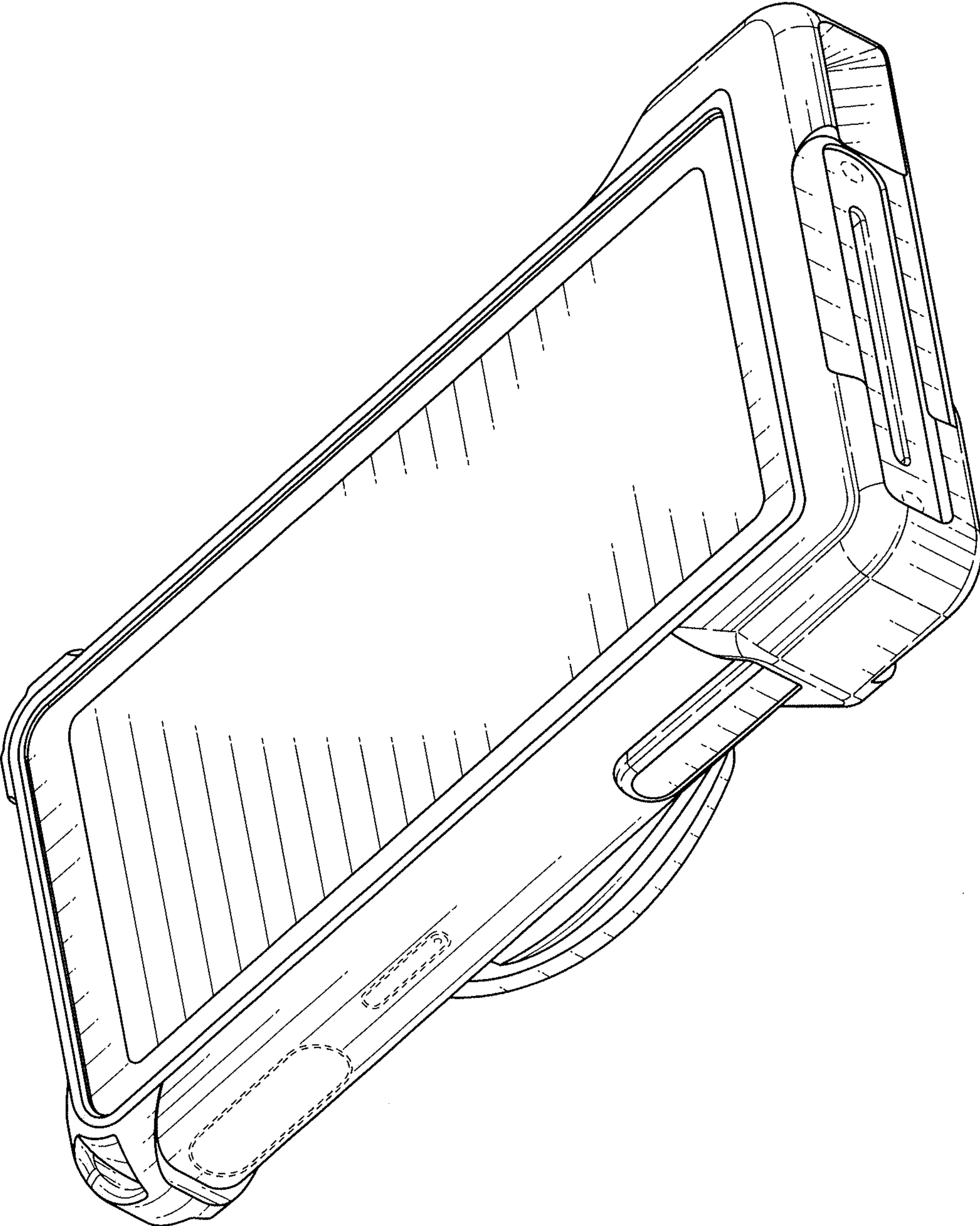


FIG. 3

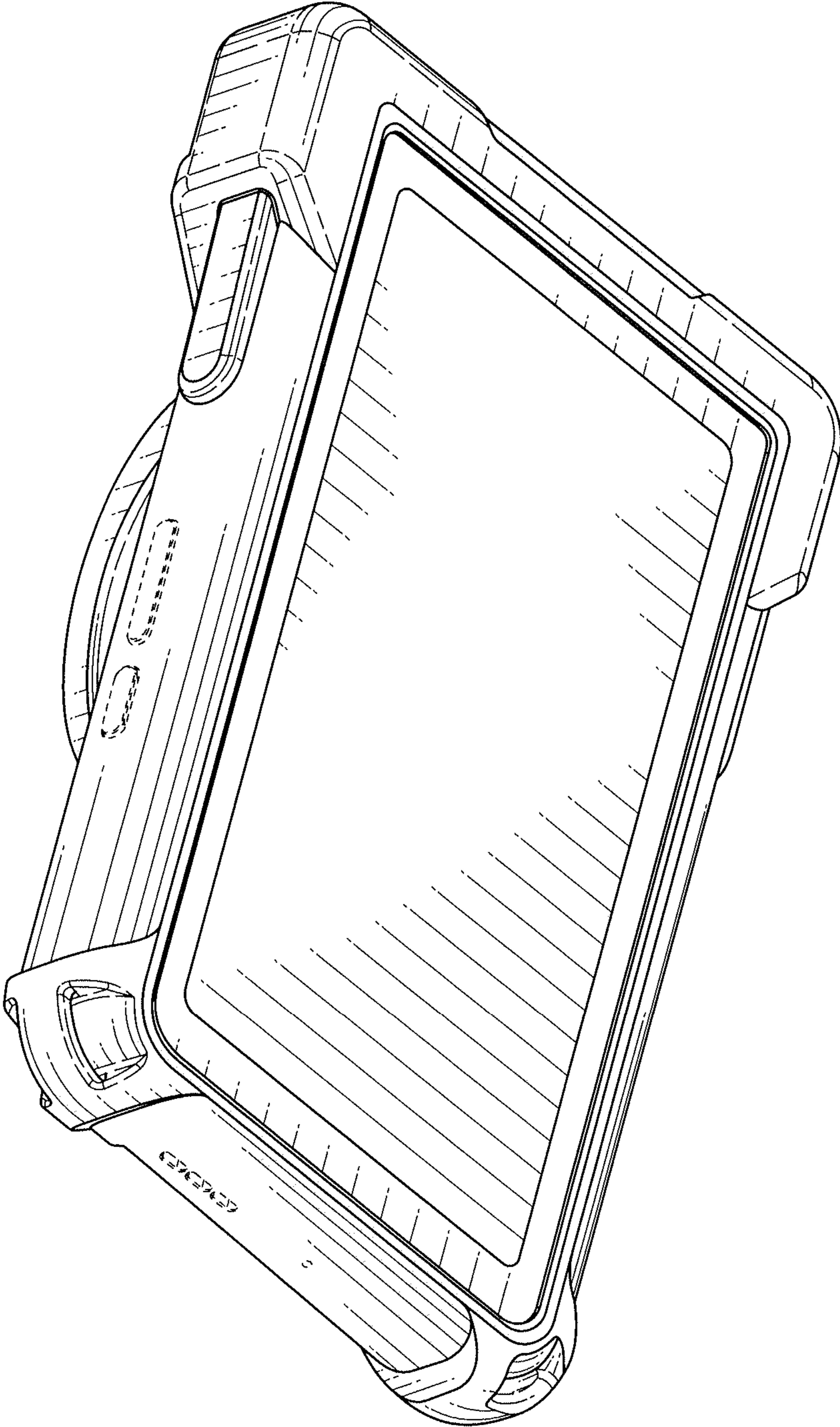


FIG. 4

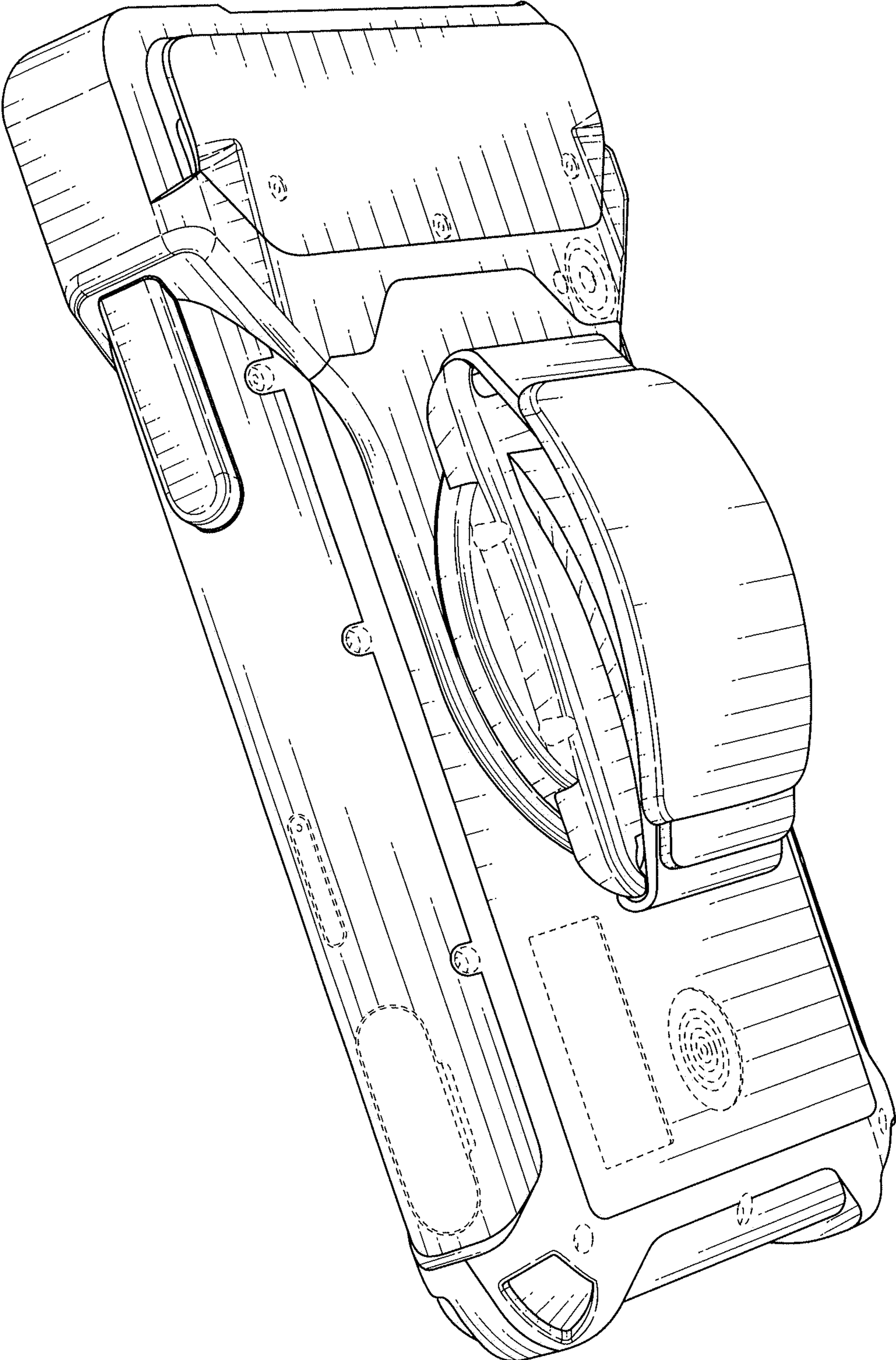


FIG. 5

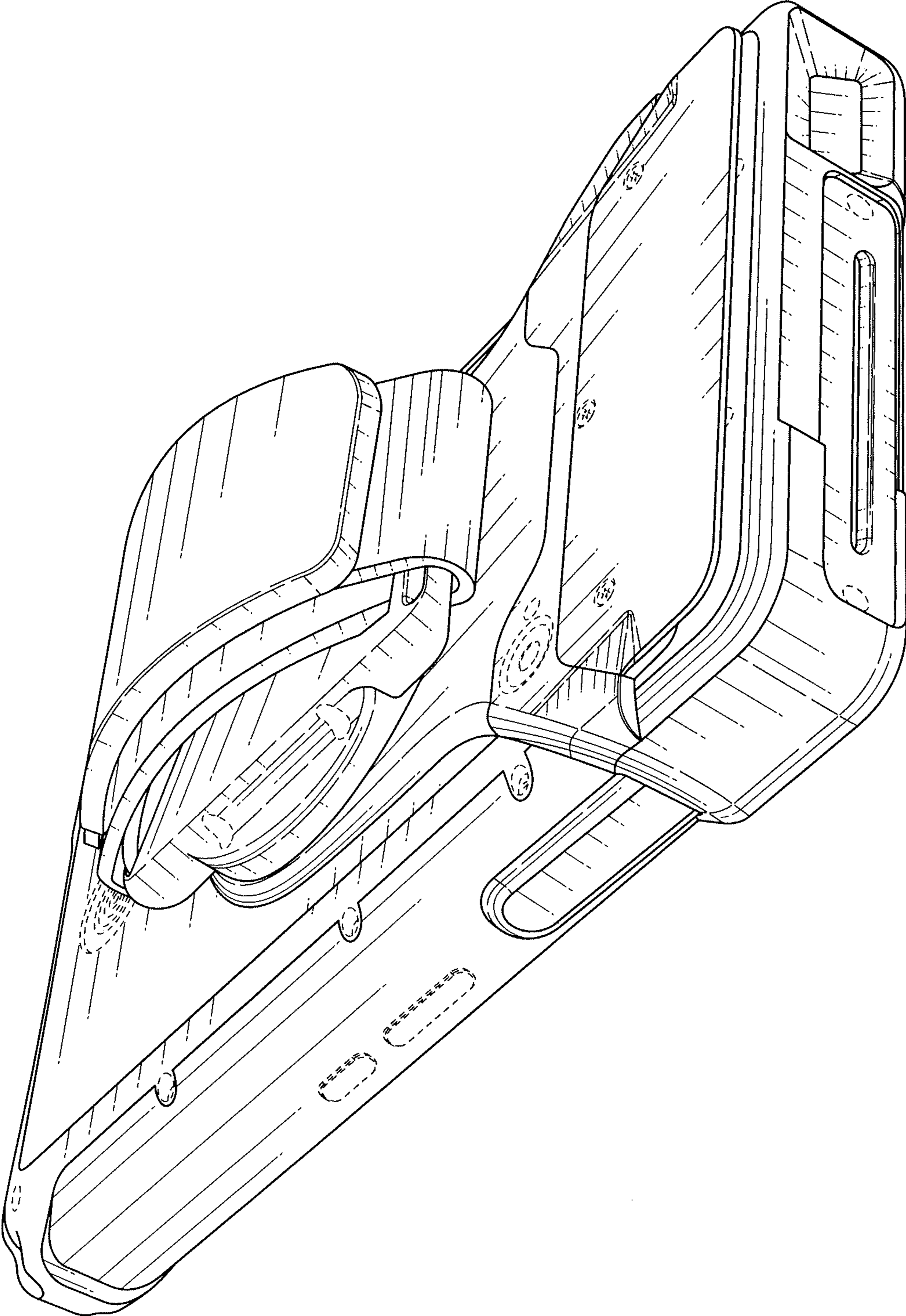


FIG. 6

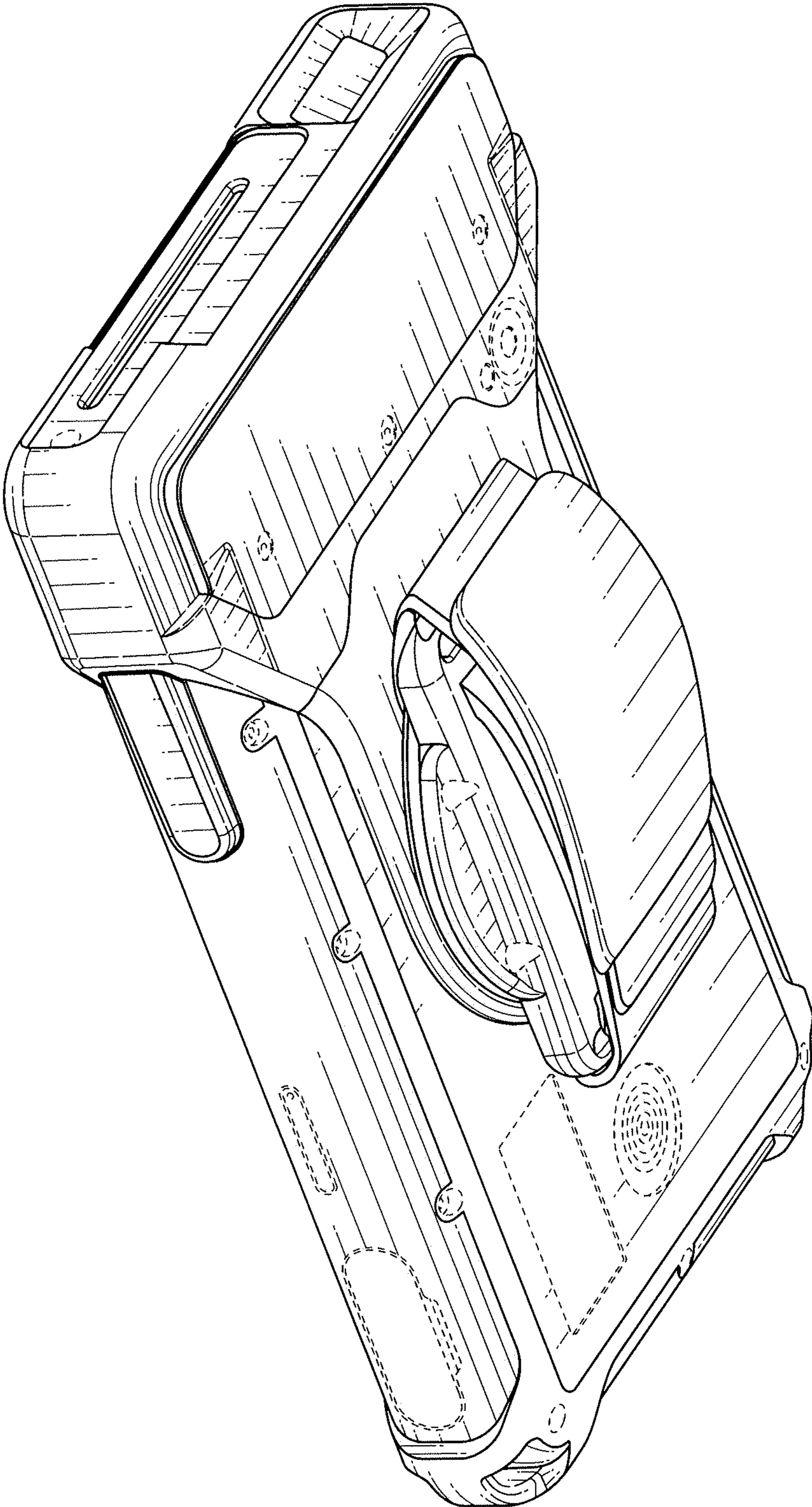


FIG. 7

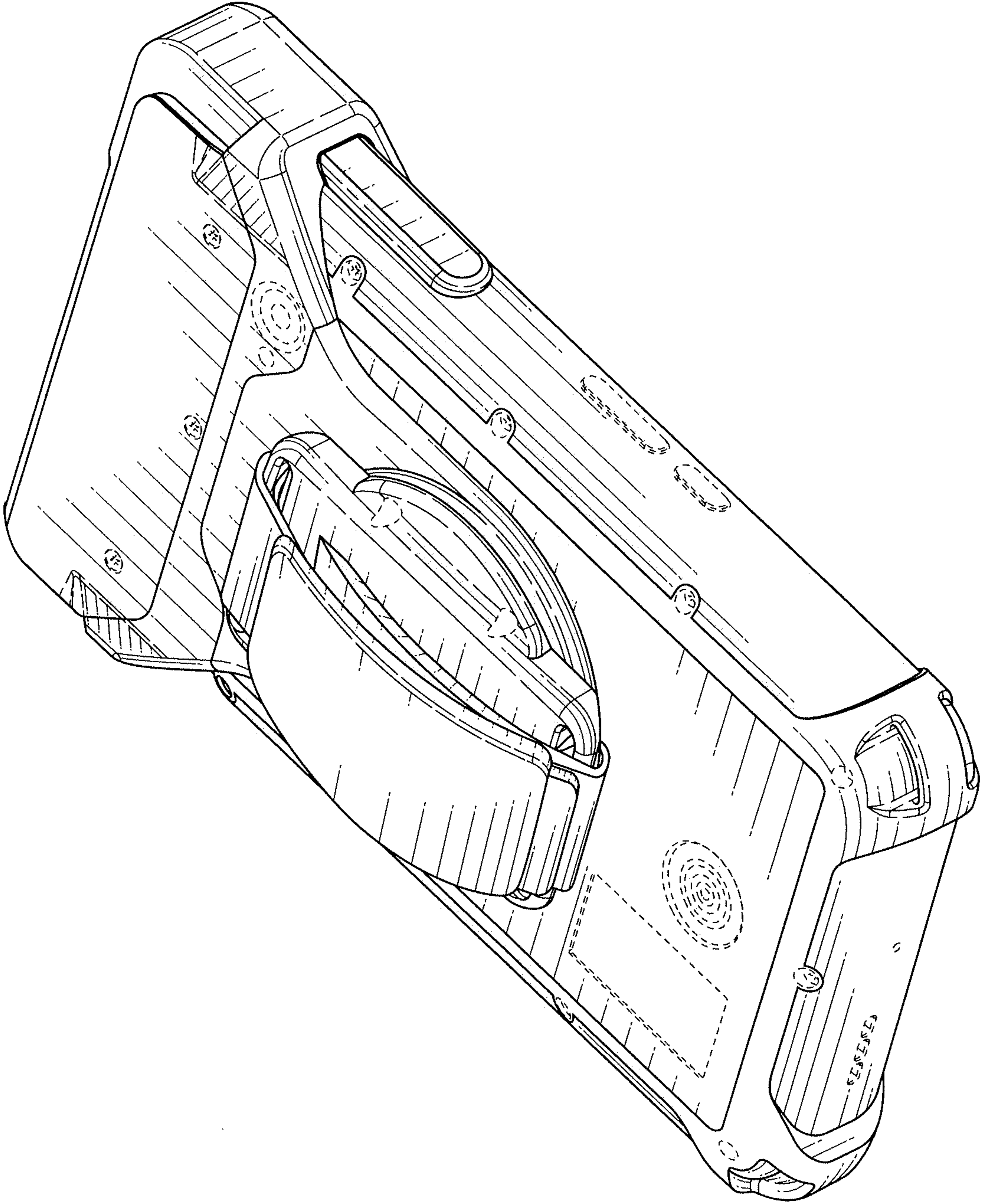


FIG. 8

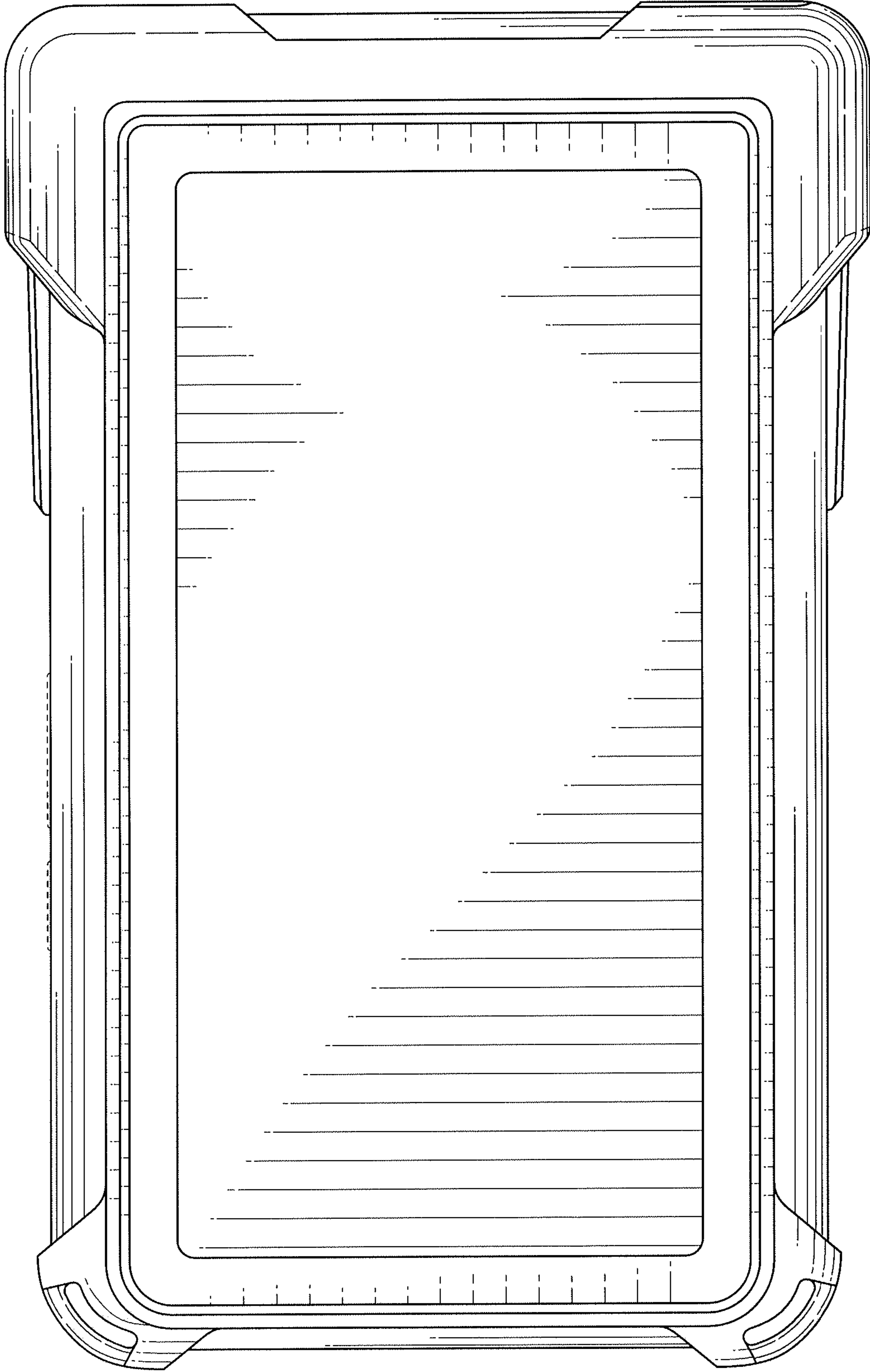


FIG. 9

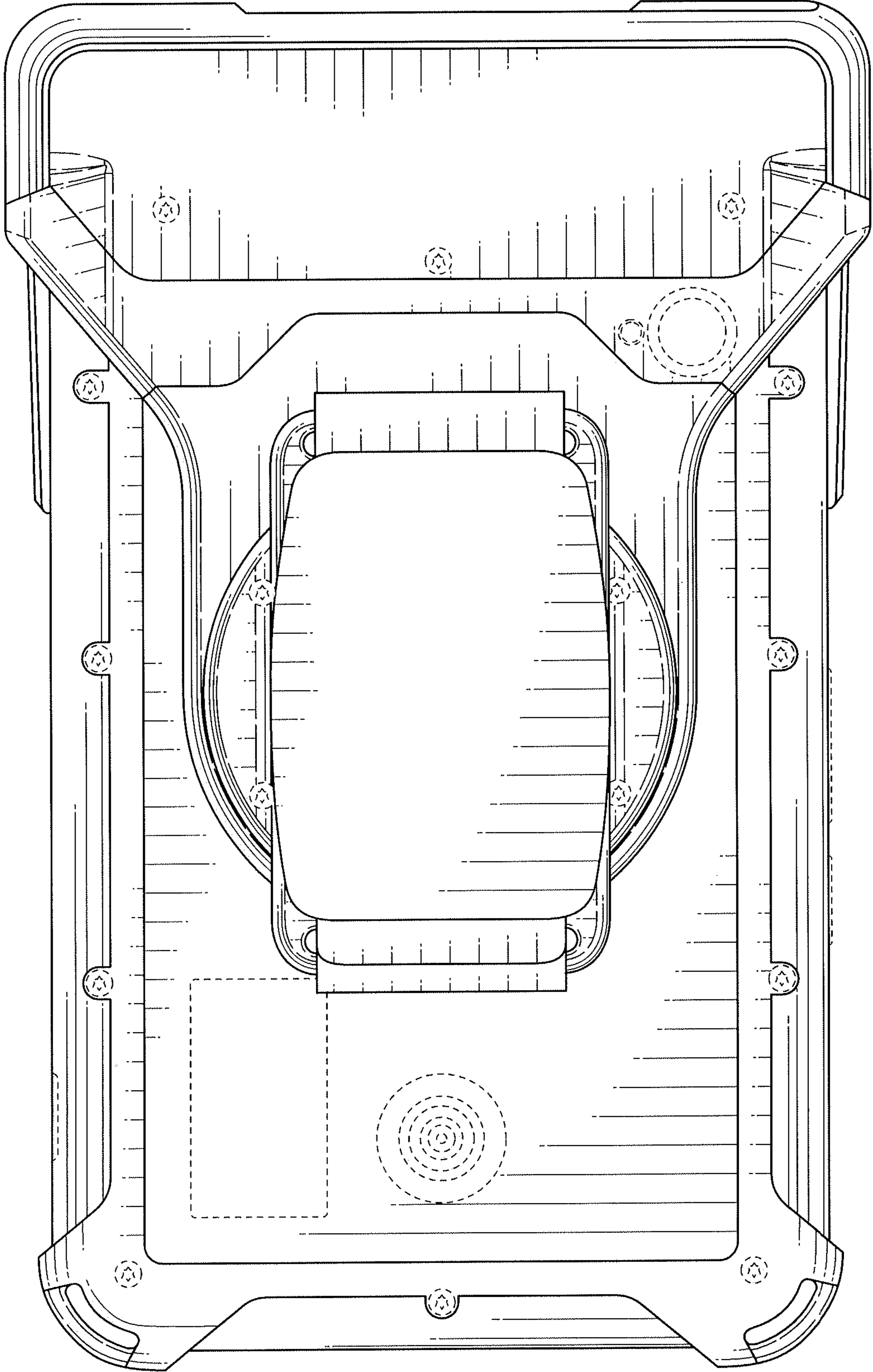


FIG. 10

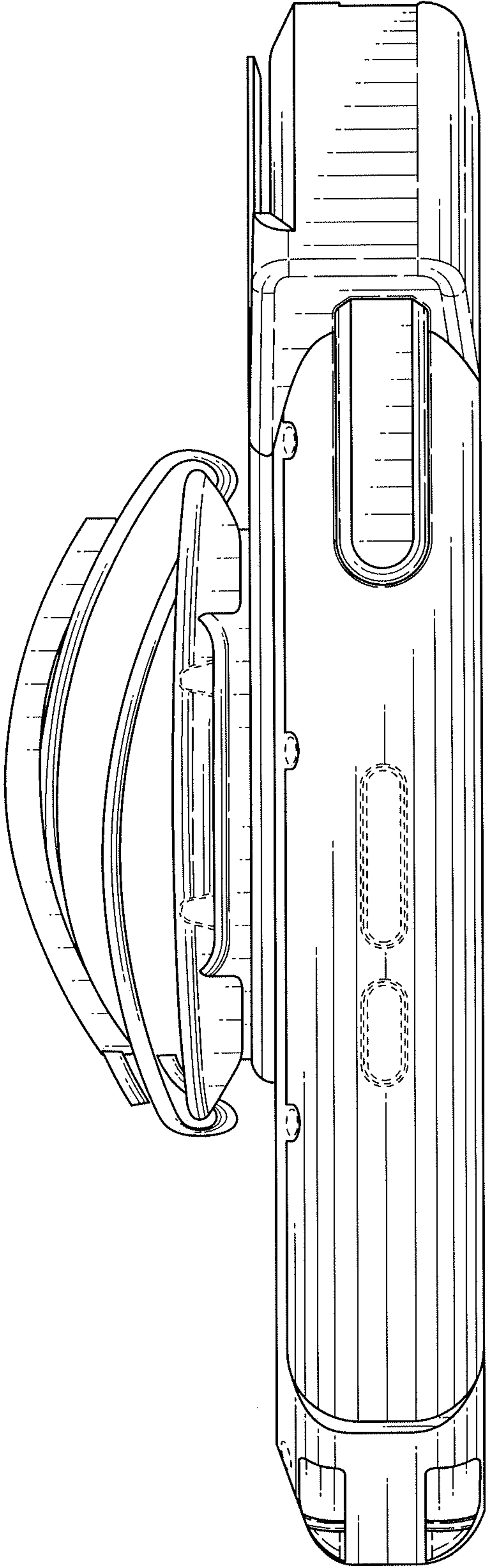


FIG. 11

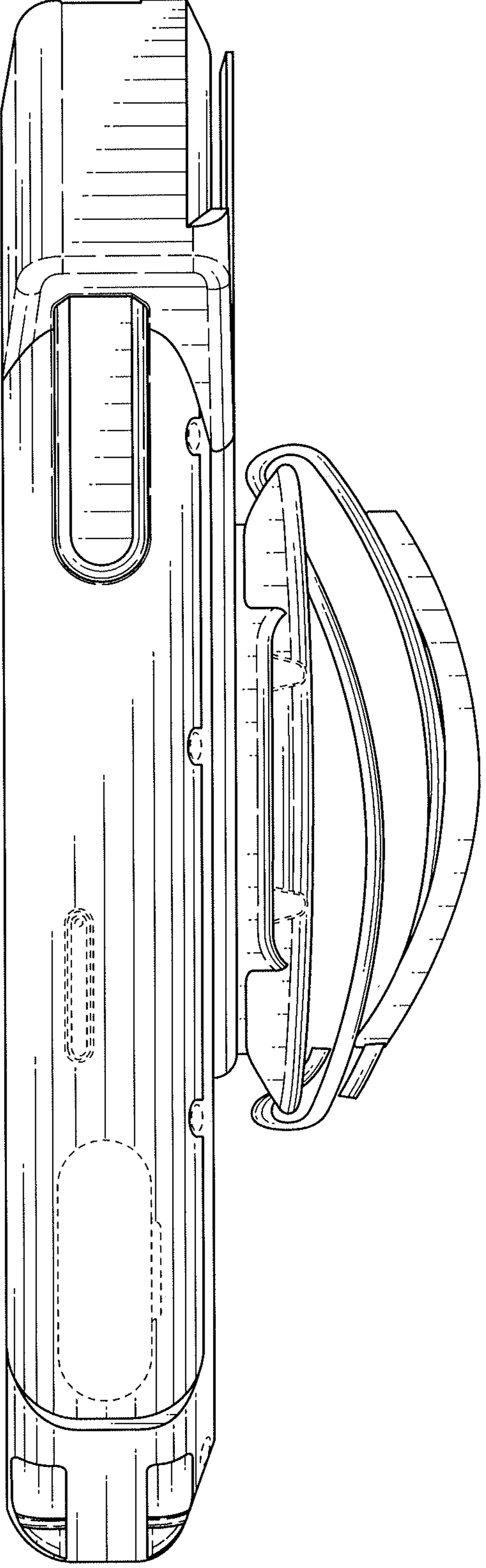


FIG. 12

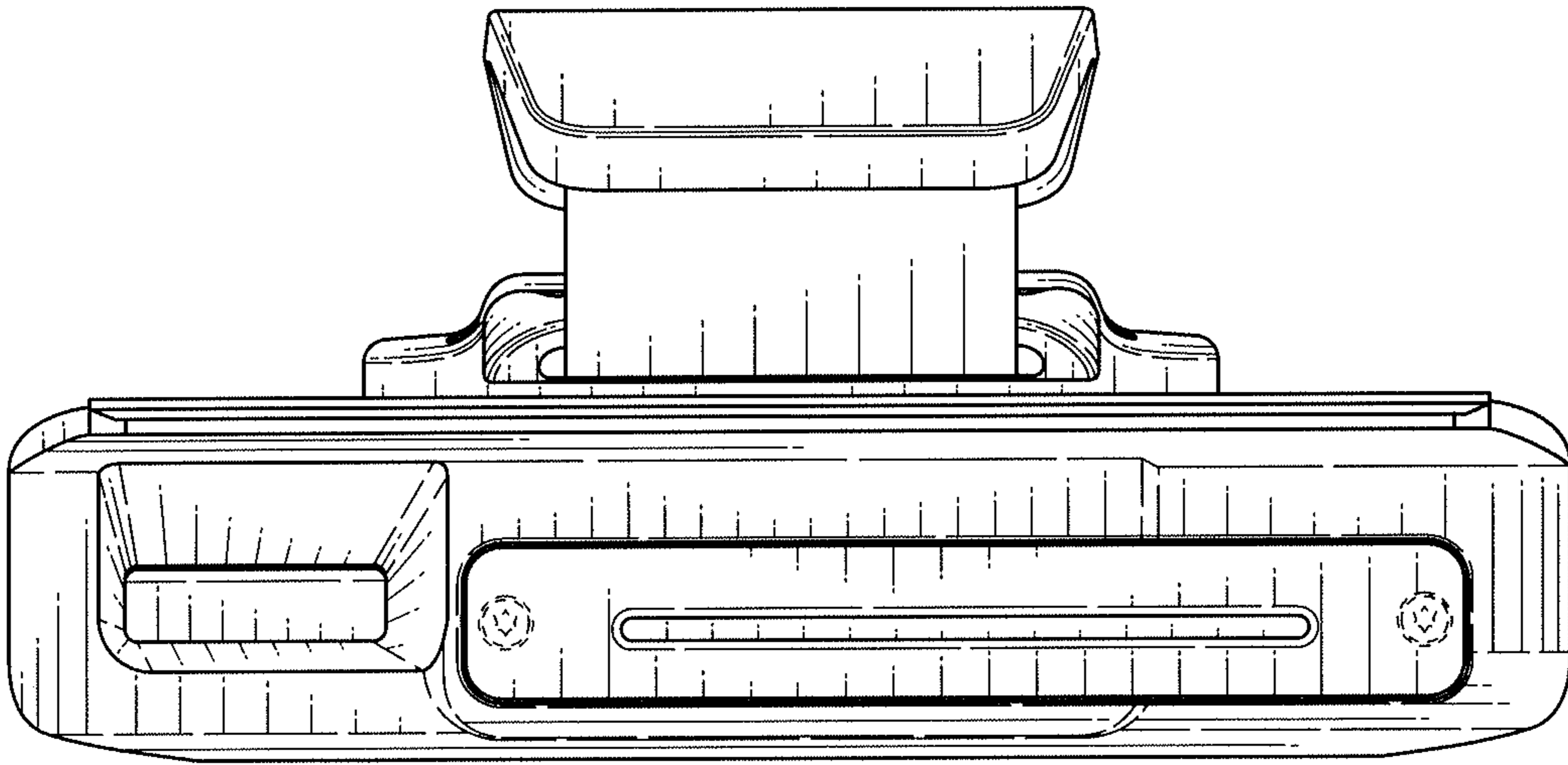


FIG. 13

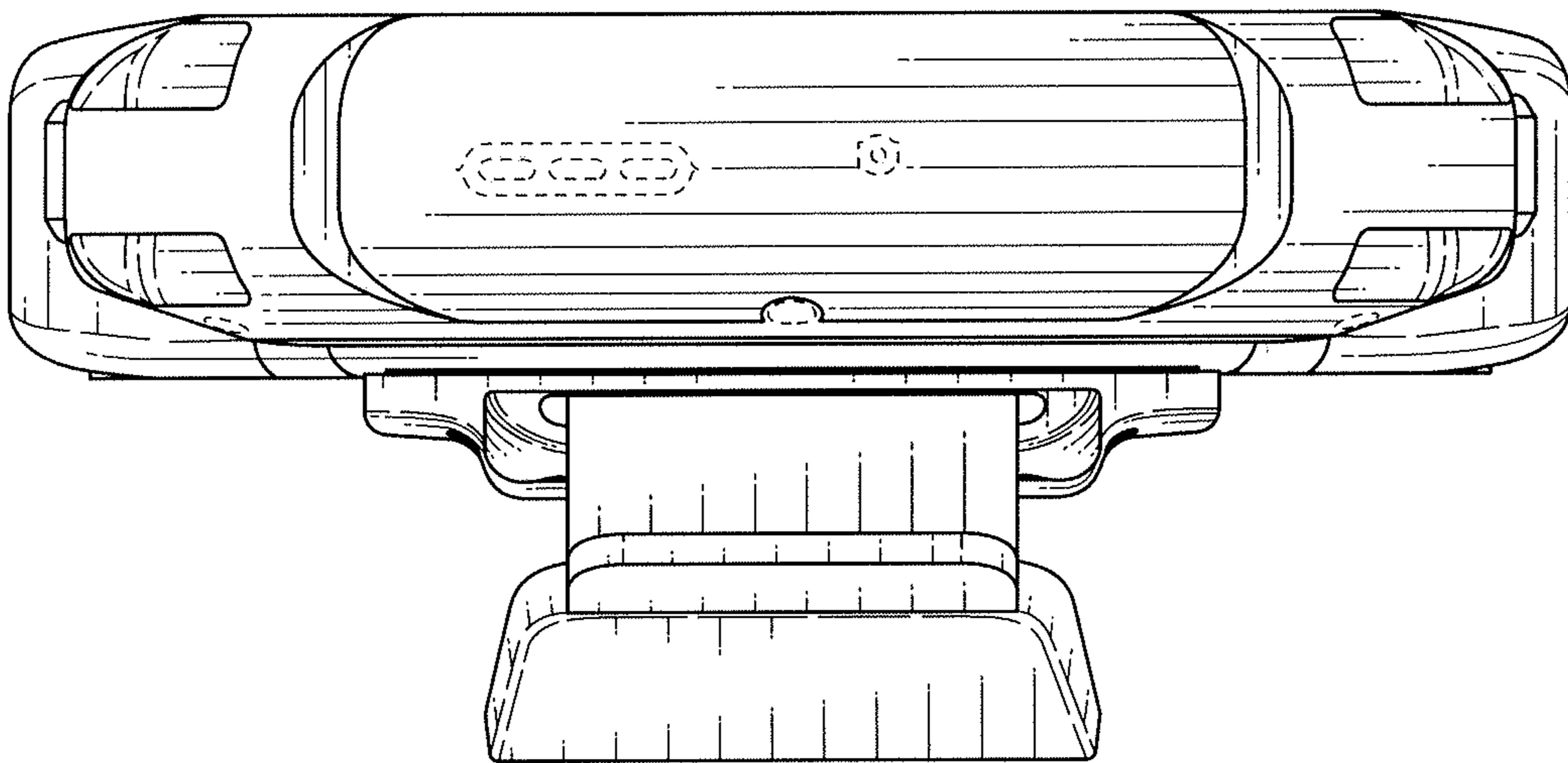


FIG. 14