



US00D998443S

(12) **United States Design Patent** (10) **Patent No.:** **US D998,443 S**
Bunch et al. (45) **Date of Patent:** **** *Sep. 12, 2023**

(54) **TROWEL HANDLE**

FOREIGN PATENT DOCUMENTS

(71) Applicant: **Acufloor, L.L.C.**, North Richland Hills, TX (US)

AU 732071 4/2001
CA 2164065 10/2001
CN 2158902 3/1994

(72) Inventors: **Clinton D. Bunch**, Keller, TX (US);
Joshua A. Bunch, Keller, TX (US)

Primary Examiner — Philip S Hyder
(74) *Attorney, Agent, or Firm* — Scott Griggs; Griggs Bergen LLP

(73) Assignee: **Acufloor, LLC**, North Richland Hills, TX (US)

(57) **CLAIM**

The ornamental design for a trowel handle, as shown and described.

(*) Notice: This patent is subject to a terminal disclaimer.

DESCRIPTION

(**) Term: **15 Years**

The present application contains subject matter related to the following co-pending applications: (1) U.S. application Ser. No. 17/938,306 entitled "Hand Trowel and Hand Trowel Handle for Use With the Same" and filed on Oct. 5, 2022 in the names of Clinton D. Bunch et al.; (2) U.S. application Ser. No. 29/867,017 entitled "Trowel Handle" and filed on Oct. 5, 2022 in the names of Clinton D. Bunch et al.; and (3) U.S. application Ser. No. 29/867,018 entitled "Trowel Handle" and filed on Oct. 5, 2022 in the names of Clinton D. Bunch et al.; all of which are hereby incorporated by reference, in entirety, for all purposes.

(21) Appl. No.: **29/867,019**

(22) Filed: **Oct. 5, 2022**

(51) **LOC (14) Cl.** **08-05**

(52) **U.S. Cl.**
USPC **D8/107; D8/45**

(58) **Field of Classification Search**
USPC D8/45, 14, 107, 300
CPC B25G 3/32; B25G 1/102; E04F 21/161; Y10T 16/498; Y10T 16/48
See application file for complete search history.

FIG. 1 is a front perspective view of a trowel handle;
FIG. 2 is a side elevation view of the trowel handle shown in FIG. 1;
FIG. 3 is a side elevation view of the trowel handle shown in FIG. 1;
FIG. 4 is a top plan view of the trowel handle shown in FIG. 1;
FIG. 5 is a bottom plan view of the trowel handle as shown in FIG. 1;
FIG. 6 is a front elevation view of the trowel handle as shown in FIG. 1; and,
FIG. 7 is a rear elevation view of the trowel handle as shown in FIG. 1.
The dashed and dotted lines shown are provided for environmental purposes only and form no part of the claimed design.

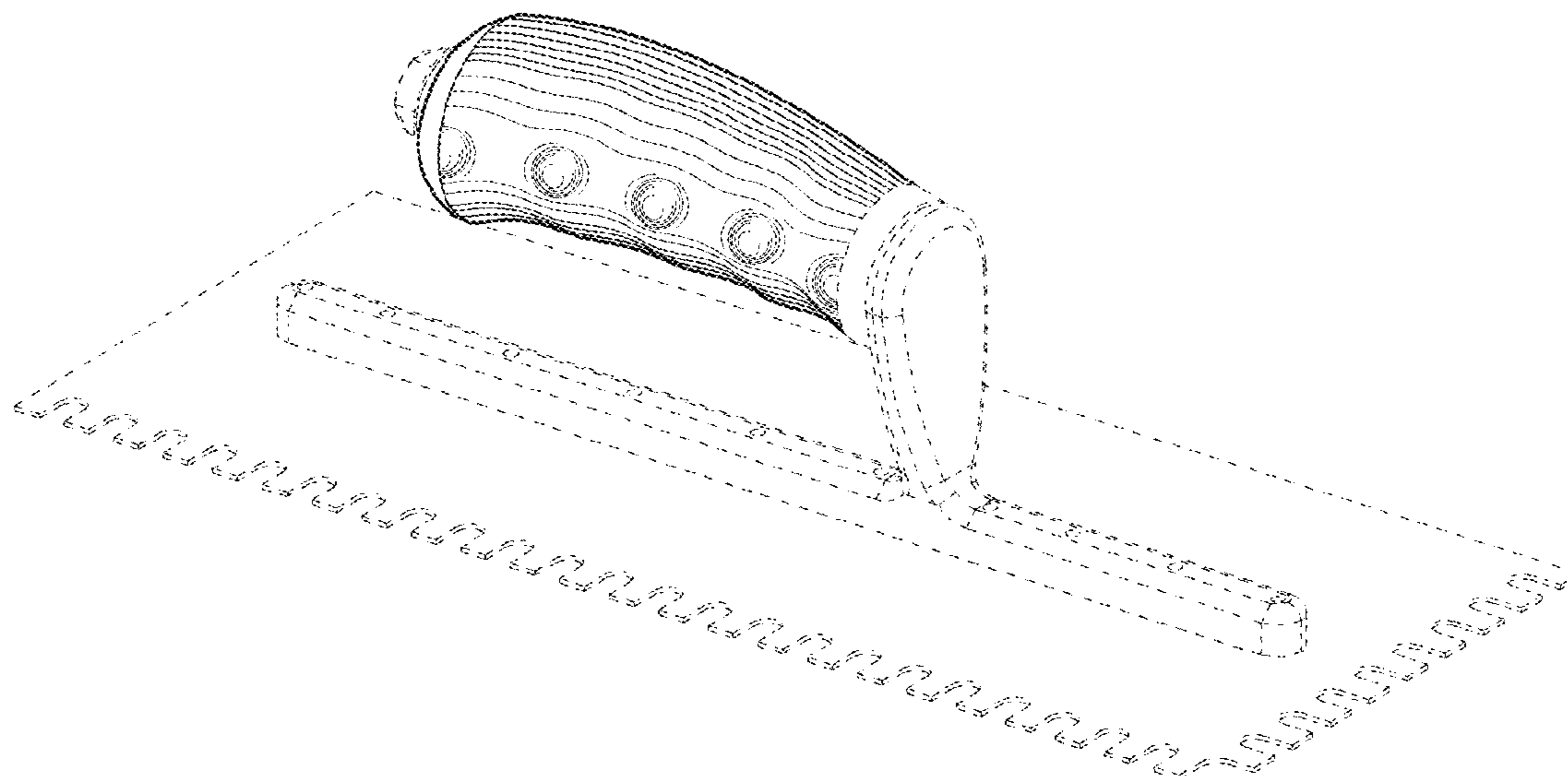
(56) **References Cited**

U.S. PATENT DOCUMENTS

737,831	A	9/1903	Feraud	
747,036	A	12/1903	Bishop	
1,786,043	A	7/1927	Troutner	
2,076,836	A	4/1937	Goldblatt	
2,771,325	A	11/1956	Brunson	
3,095,594	A *	7/1963	Dornbos E04F 21/06 15/235.4
3,146,481	A	9/1964	Chiuchiarelli	
3,166,776	A	1/1965	Selck	

(Continued)

1 Claim, 2 Drawing Sheets



(56)

References Cited

U.S. PATENT DOCUMENTS

3,916,472 A 11/1975 Carder
 4,467,492 A * 8/1984 Harrington E04F 21/06
 15/235.4
 4,724,572 A 2/1988 Gringer
 4,817,231 A 4/1989 Ocwieja
 5,303,445 A 4/1994 Meyers
 5,327,612 A 7/1994 Kelsay
 5,406,671 A 4/1995 Green
 5,446,941 A 9/1995 Kelsay
 5,522,111 A * 6/1996 Kelsay B25G 1/10
 16/DIG. 18
 5,547,240 A 8/1996 Hartshorn et al.
 5,713,096 A 2/1998 Kelsay et al.
 6,018,841 A * 2/2000 Kelsay B25G 3/08
 15/235.4
 6,178,586 B1 * 1/2001 Jafarmadar E04F 21/06
 15/235.4
 6,223,384 B1 5/2001 Kuhlen
 6,247,204 B1 6/2001 Hamby et al.
 D519,012 S 4/2006 Miller
 D557,578 S * 12/2007 Miller D8/45

D561,548 S * 2/2008 Martin B25G 3/08
 D8/45
 7,370,384 B2 * 5/2008 Miller E04F 21/162
 15/236.08
 D588,426 S * 3/2009 Martin E04F 21/06
 D8/45
 7,506,398 B2 3/2009 Martin
 7,694,380 B1 4/2010 Meyers
 7,730,575 B2 6/2010 Huang
 D625,572 S * 10/2010 Hoertnagl B25G 3/36
 D8/107
 8,151,404 B1 * 4/2012 Gundlach B25G 3/32
 15/235.4
 8,434,188 B1 * 5/2013 Jimenez E04F 21/16
 15/245.1
 2003/0084545 A1 5/2003 Cheng
 2005/0235447 A1 * 10/2005 Wang E04F 21/161
 15/235.4
 2007/0163067 A1 * 7/2007 Huang B25G 3/32
 15/235.4
 2015/0143650 A1 * 5/2015 Davidian E04F 21/163
 15/144.1
 2017/0073983 A1 * 3/2017 Freudenreich E04F 21/06
 2022/0298809 A1 * 9/2022 Bongiovanni B25G 3/36

* cited by examiner

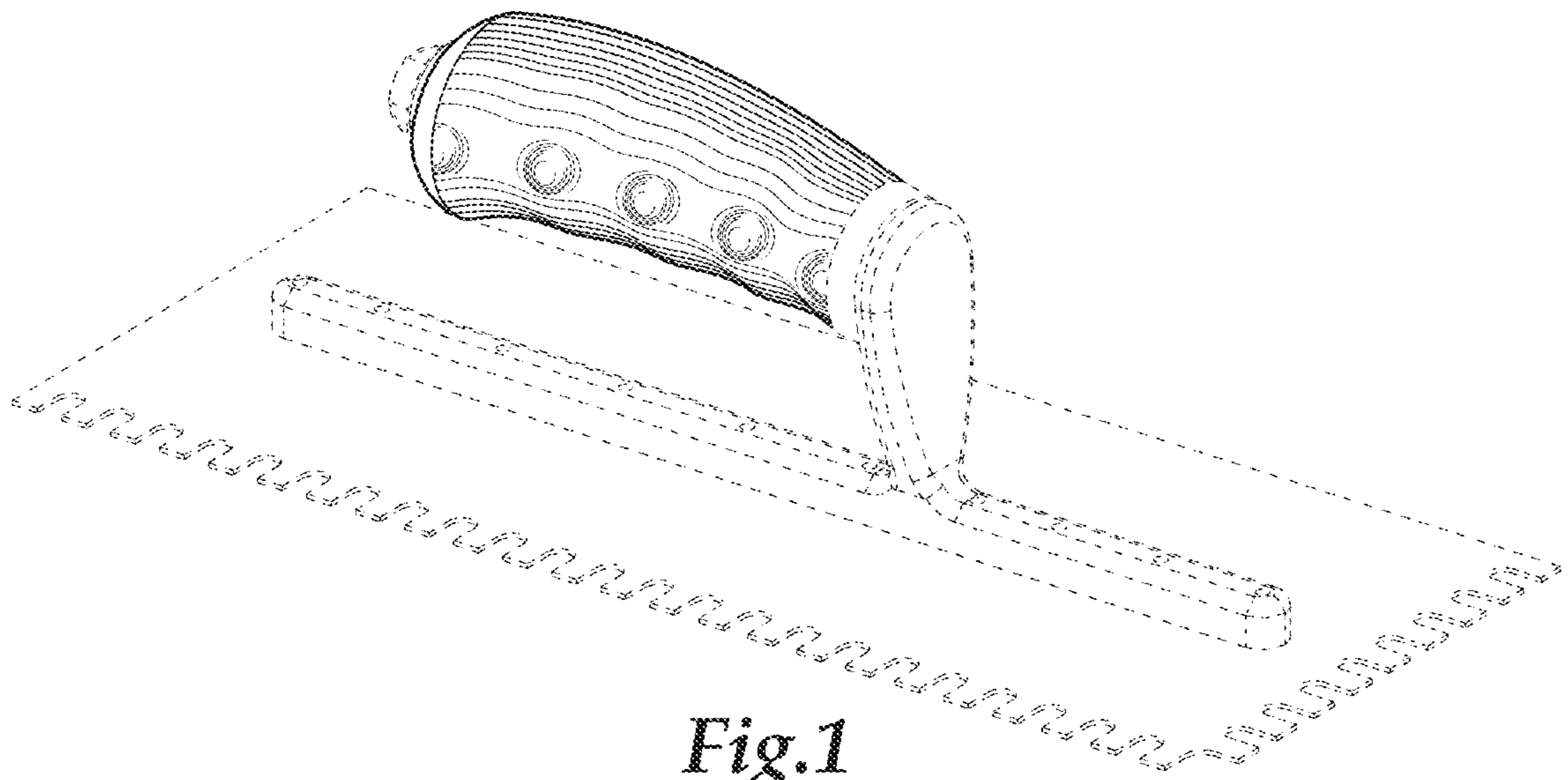


Fig.1

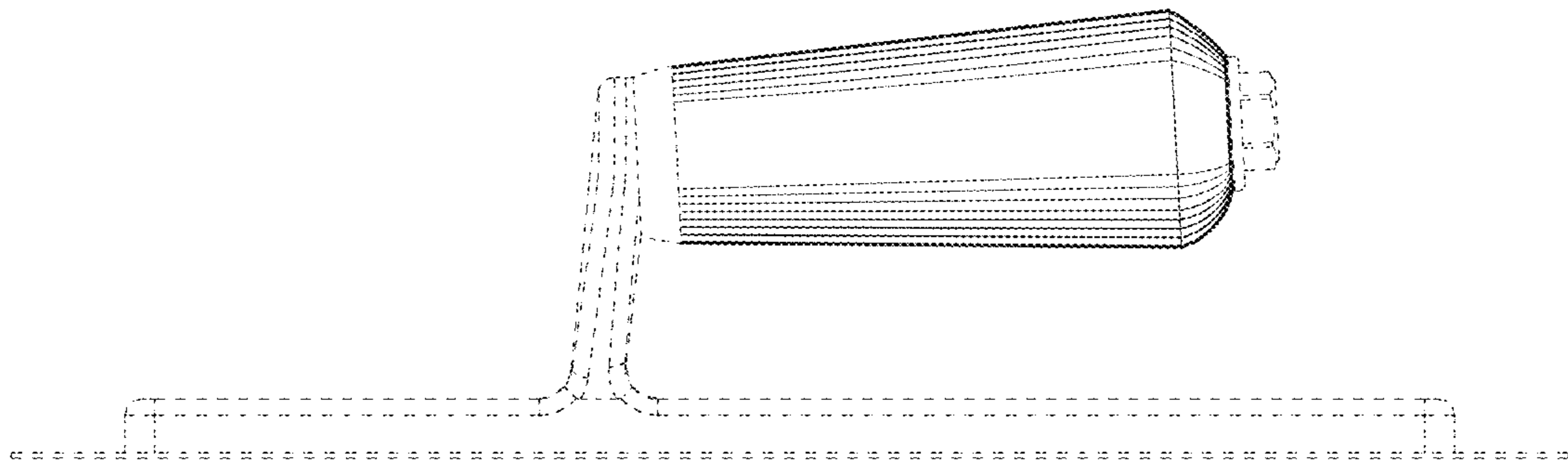


Fig.2

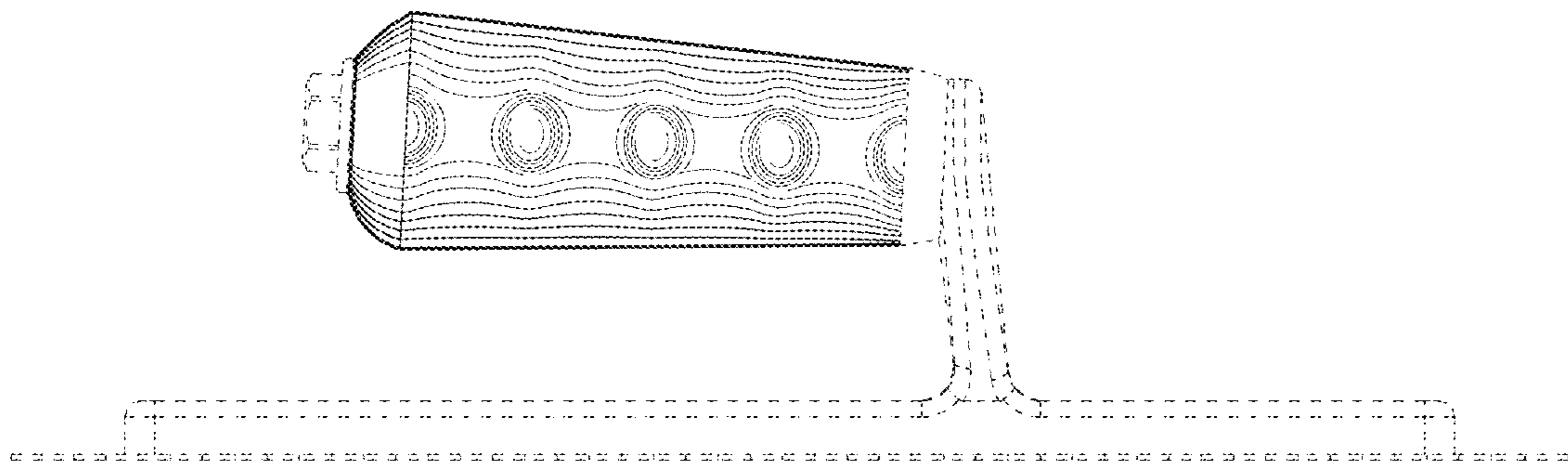


Fig.3

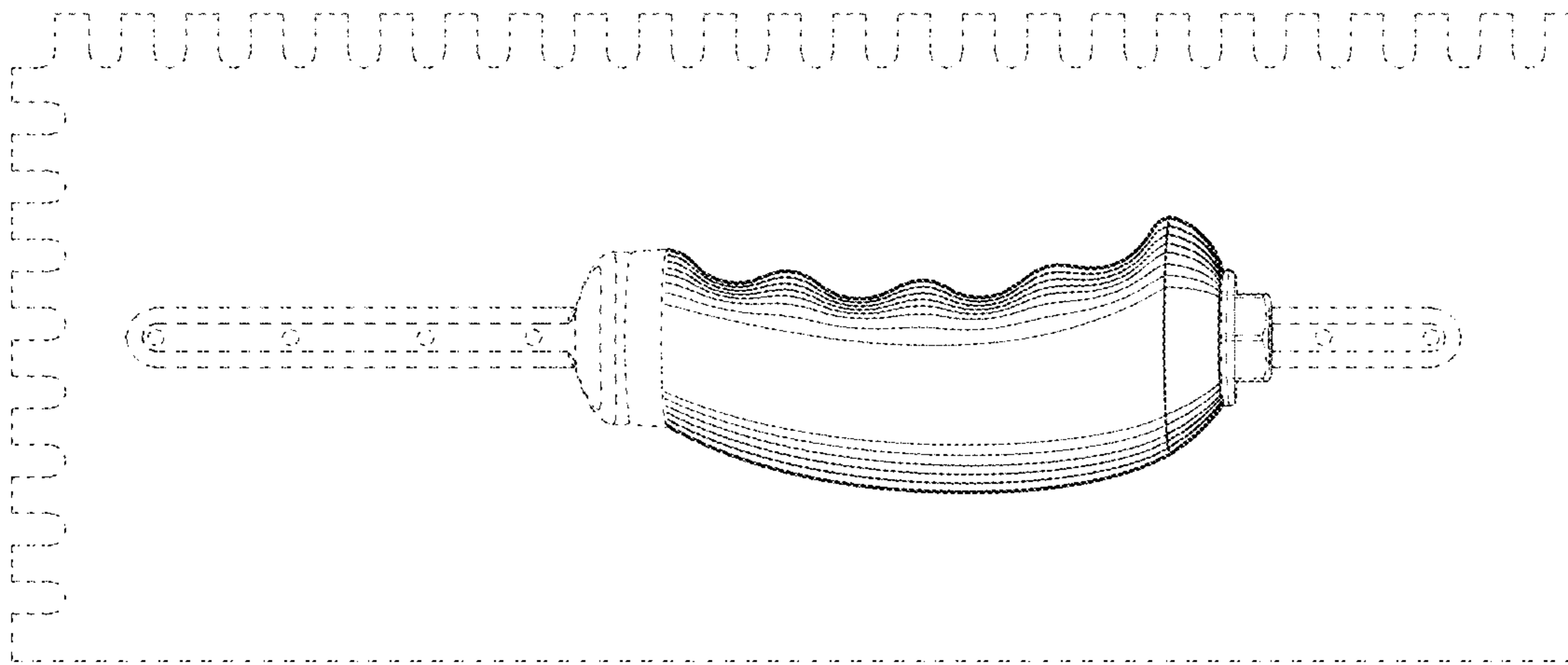


Fig.4



Fig.5

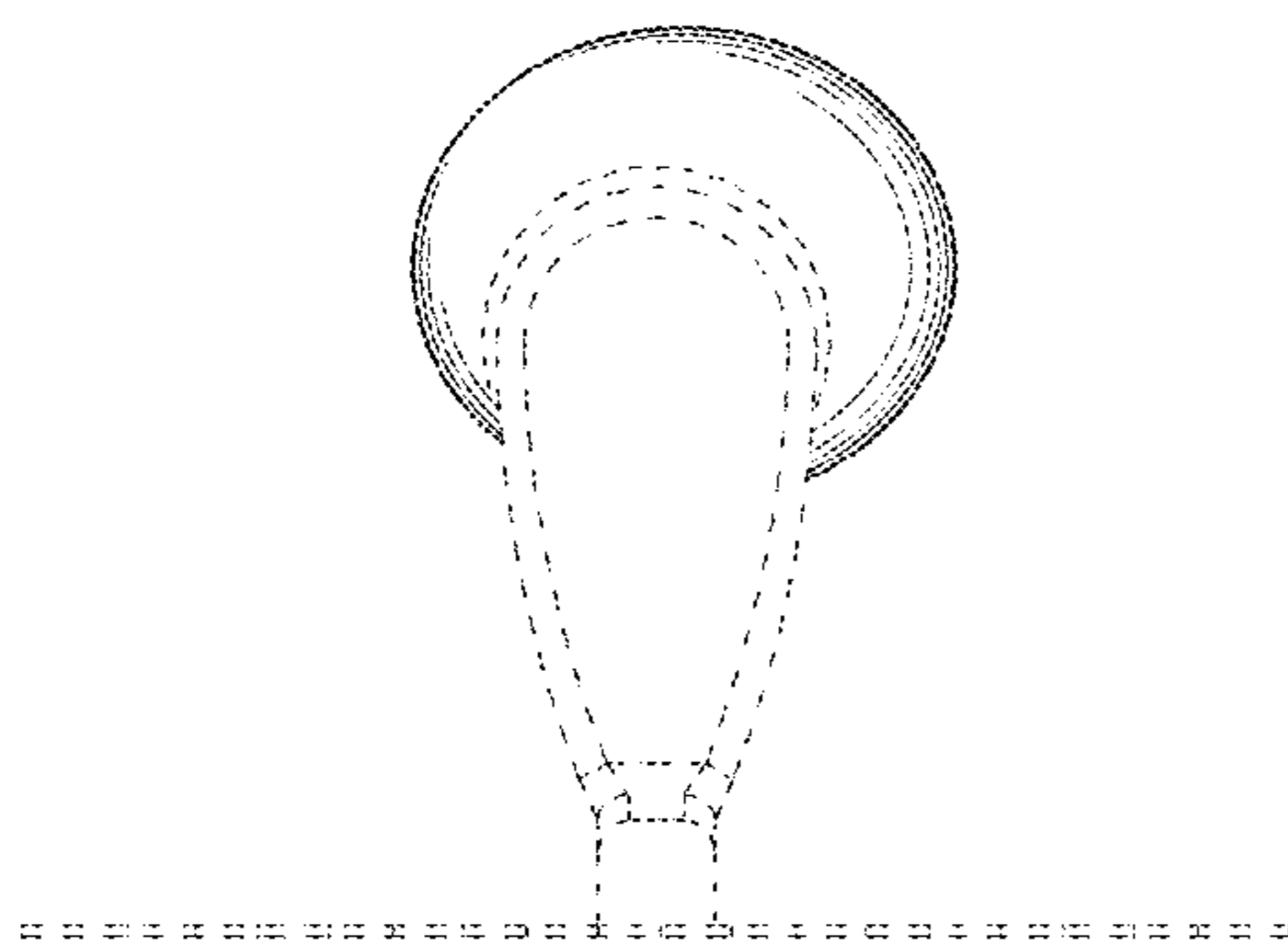


Fig.6

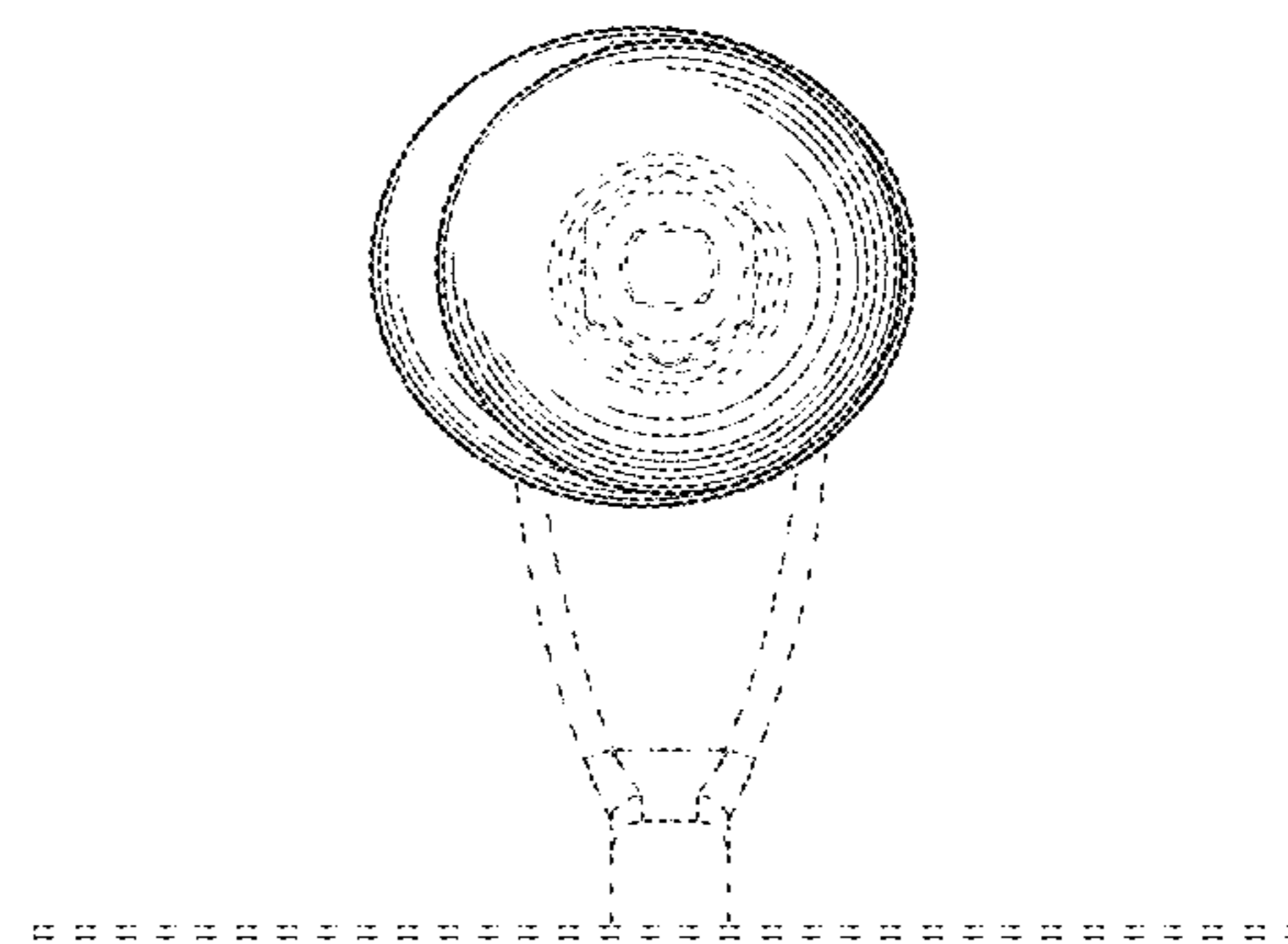


Fig.7