



US00D998438S

(12) **United States Design Patent**
Omelchenko et al.

(10) **Patent No.:** **US D998,438 S**

(45) **Date of Patent:** **** Sep. 12, 2023**

- (54) **COMBINATION KNIFE SHARPENER AND FIRE STARTER**
- (71) Applicants: **Anatoliy Omelchenko**, Johnstown, PA (US); **Natalia Omelchenko**, Johnstown, PA (US)
- (72) Inventors: **Anatoliy Omelchenko**, Johnstown, PA (US); **Natalia Omelchenko**, Johnstown, PA (US)

5,919,037 A * 7/1999 Brillhart, III F23Q 1/06
126/25 B
8,348,539 B2 * 1/2013 Chu B43K 29/16
44/507
8,967,899 B1 * 3/2015 Chu F23Q 1/06
44/507

(Continued)

Primary Examiner — Philip S Hyder
(74) *Attorney, Agent, or Firm* — Larson & Larson; Justin P. Miller; Frank Liebenow

(**) Term: **15 Years**

(21) Appl. No.: **29/791,427**

(22) Filed: **Jan. 11, 2022**

(51) **LOC (14) Cl.** **08-05**

(52) **U.S. Cl.**
USPC **D8/93; D27/139**

(58) **Field of Classification Search**
USPC D8/14, 91, 92, 93, 105; D27/139
CPC B24D 15/06; B24D 15/00; B24D 15/063;
B24D 15/066; B24D 15/08; B24B
41/066; B24B 3/54; B24B 3/36; B24B
3/58; B24B 3/00; B24B 23/08; B24B
15/00; B24B 15/06; B24B 15/08; F23Q
2/00; F23Q 2/02; F23Q 2/16; F23Q
2/151; F23Q 2/162; F23Q 2/163; F23Q
2/164; F23Q 2/167; F23Q 7/00; F23Q
7/14; F23Q 7/16; F23Q 7/24; F23Q 7/10;
F23Q 1/06
See application file for complete search history.

(56) **References Cited**

U.S. PATENT DOCUMENTS

- 4,698,068 A * 10/1987 Jensen C10L 11/00
44/507
- 4,770,669 A * 9/1988 Allen C10L 11/00
44/510
- 5,279,628 A * 1/1994 Hutchens C10L 11/00
44/507

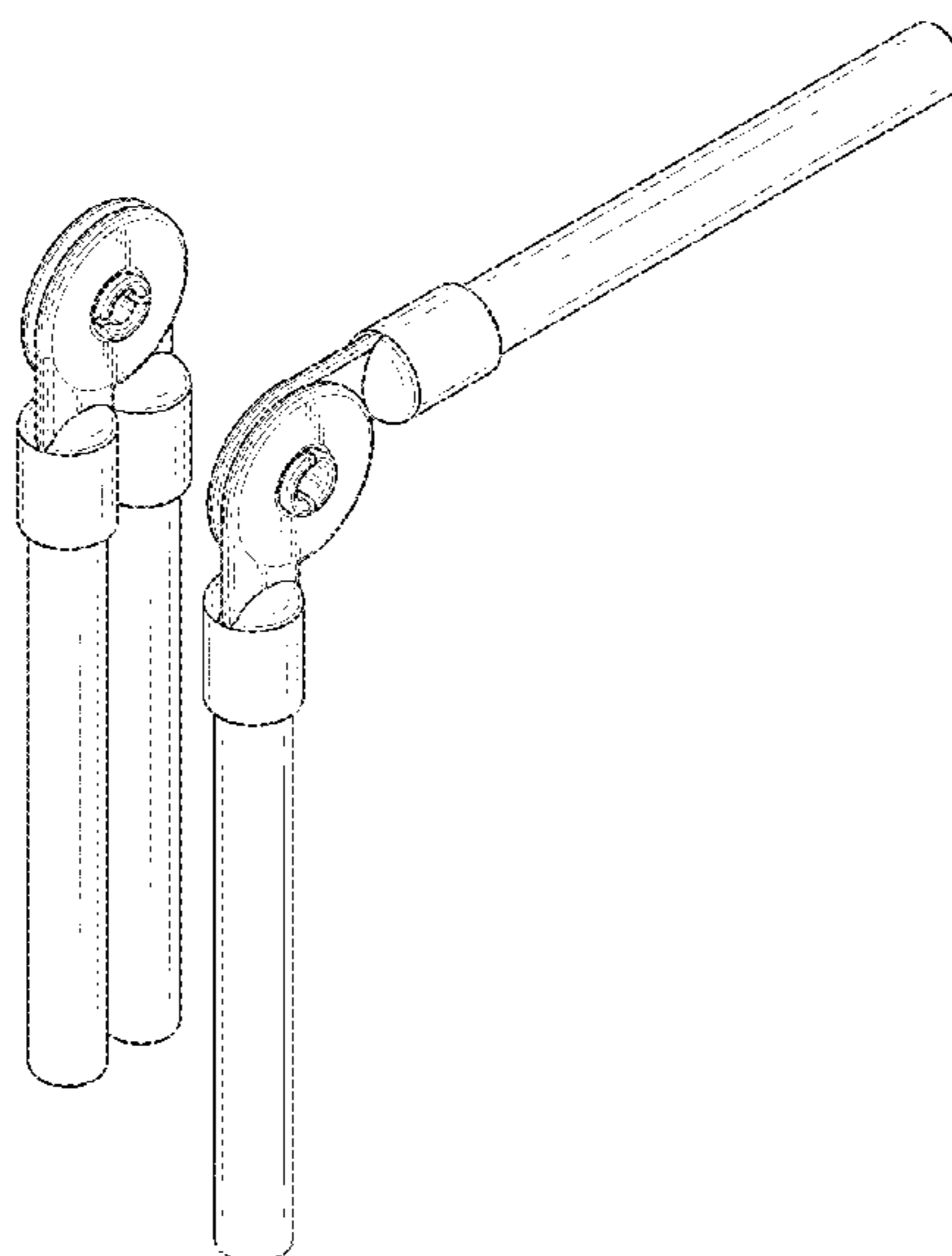
(57) **CLAIM**

We claim the ornamental design for a combination knife sharpener and fire starter, as shown and described.

DESCRIPTION

FIG. 1 is a perspective view of a combination knife sharpener and fire starter showing our new design;
FIG. 2 is a back elevation view thereof;
FIG. 3 is a front elevation thereof;
FIG. 4 is a right-side elevation view thereof;
FIG. 5 is a left-side elevation view thereof;
FIG. 6 is a bottom plan view thereof;
FIG. 7 is a top plan view thereof;
FIG. 8 is a perspective view thereof, showing the combination knife sharpener and fire starter in an open position;
FIG. 9 is a front elevation view thereof; showing the combination knife sharpener and fire starter in an open position;
FIG. 10 is a perspective view thereof, showing the combination knife sharpener and fire starter in use sharpening a knife; and,
FIG. 11 is a perspective view thereof, showing the combination knife sharpener and fire starter in use with sparks from a knife to ignite a fire.
The broken lines showing hands, knife, and sparks are included for the purpose of illustrating environmental structure and form no part of the claimed design.

1 Claim, 10 Drawing Sheets



(56)

References Cited

U.S. PATENT DOCUMENTS

D731,278 S * 6/2015 Cavanaugh C10L 11/00
D8/93
D746,656 S * 1/2016 Smith D8/93
9,845,955 B1 * 12/2017 Villarreal F23Q 1/06
D911,142 S * 2/2021 Baker B43K 29/16
D8/93
11,267,103 B2 * 3/2022 Baker B24D 15/082
D970,802 S * 11/2022 Ware F23Q 2/18
D27/139
2009/0214996 A1 * 8/2009 Putrello F23Q 1/06
431/273
2014/0127984 A1 * 5/2014 Smith F21V 33/0084
451/461
2018/0320896 A1 * 11/2018 VanCleave, III F23D 14/465
2022/0221150 A1 * 7/2022 Isbell F23Q 2/18

* cited by examiner

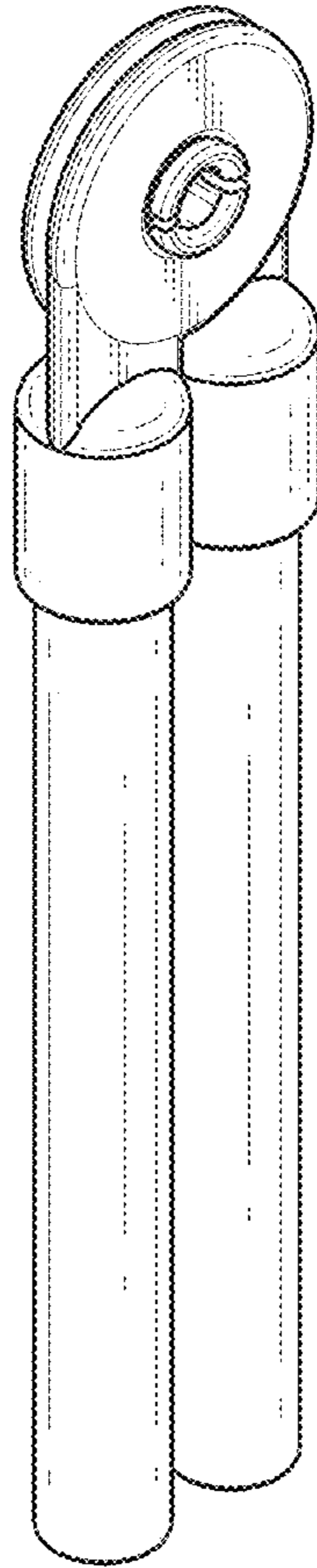


FIG. 1

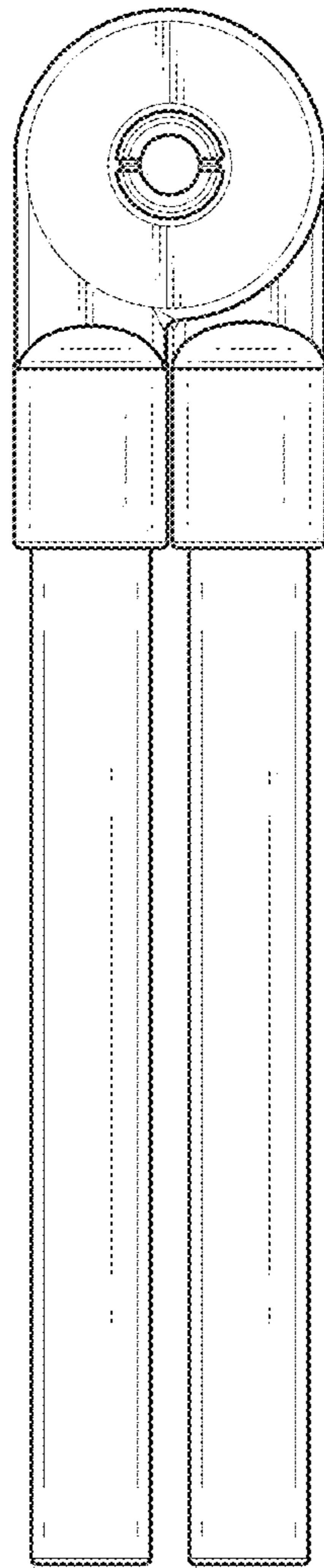


FIG. 2

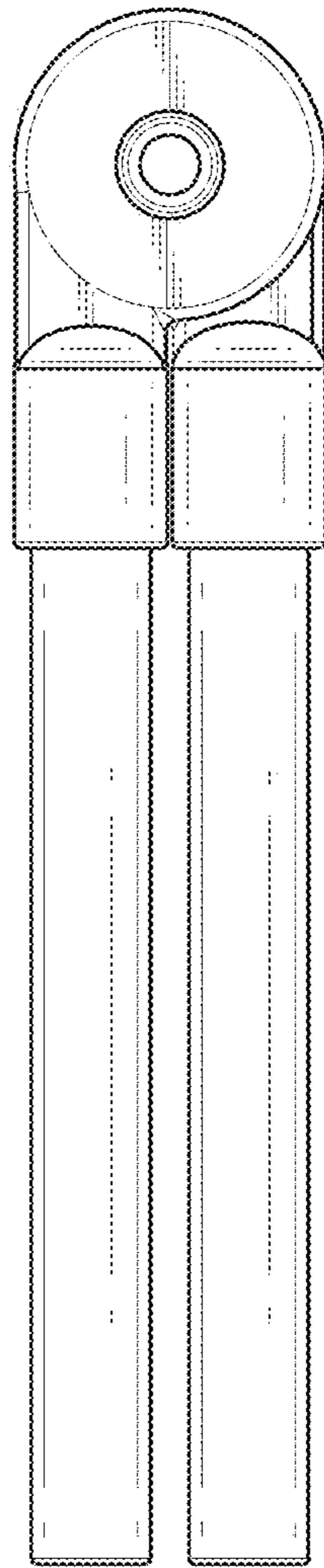


FIG. 3

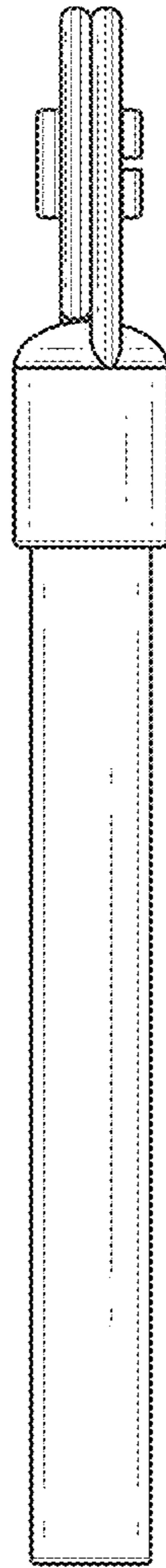


FIG. 4

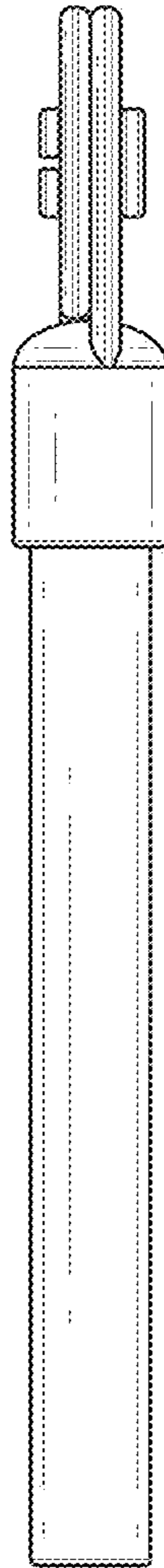


FIG. 5

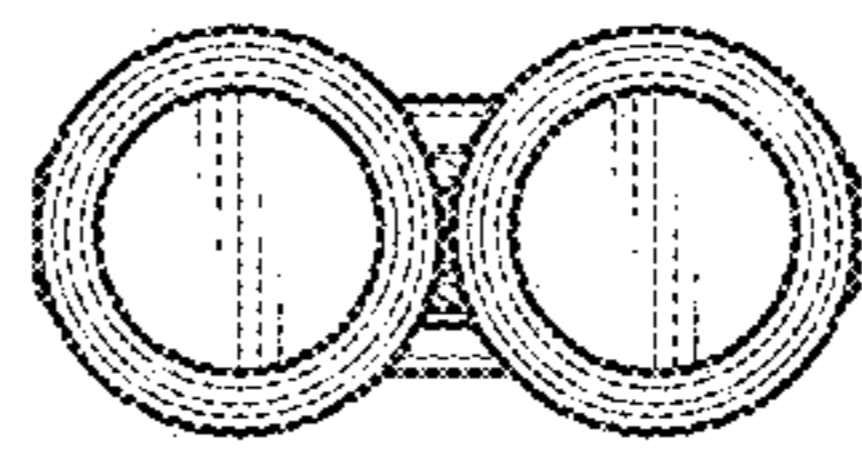


FIG. 6

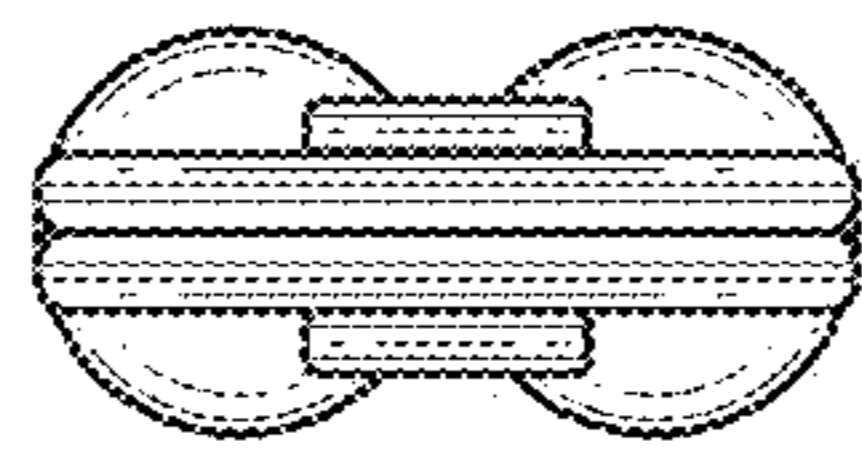


FIG. 7

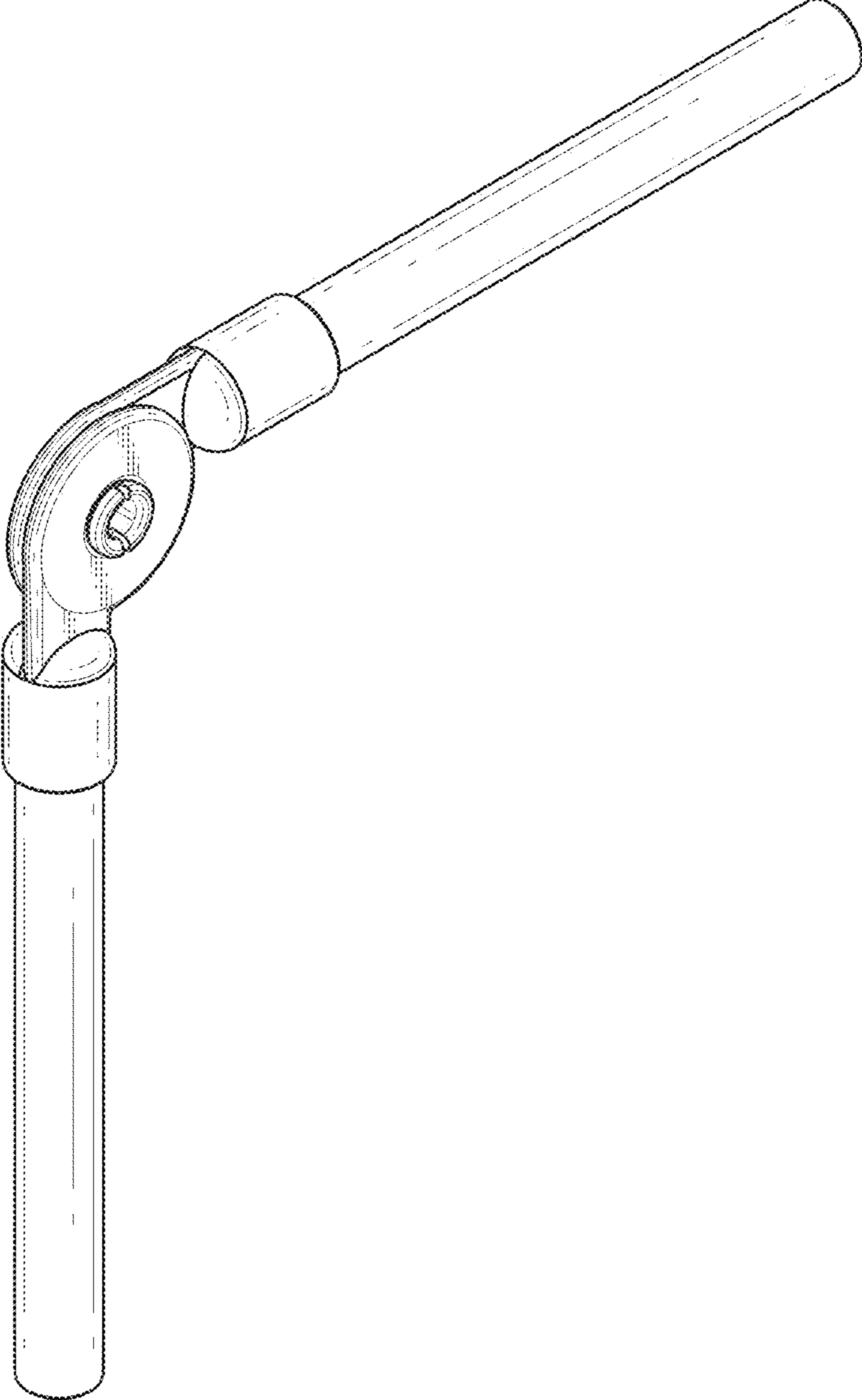


FIG.8

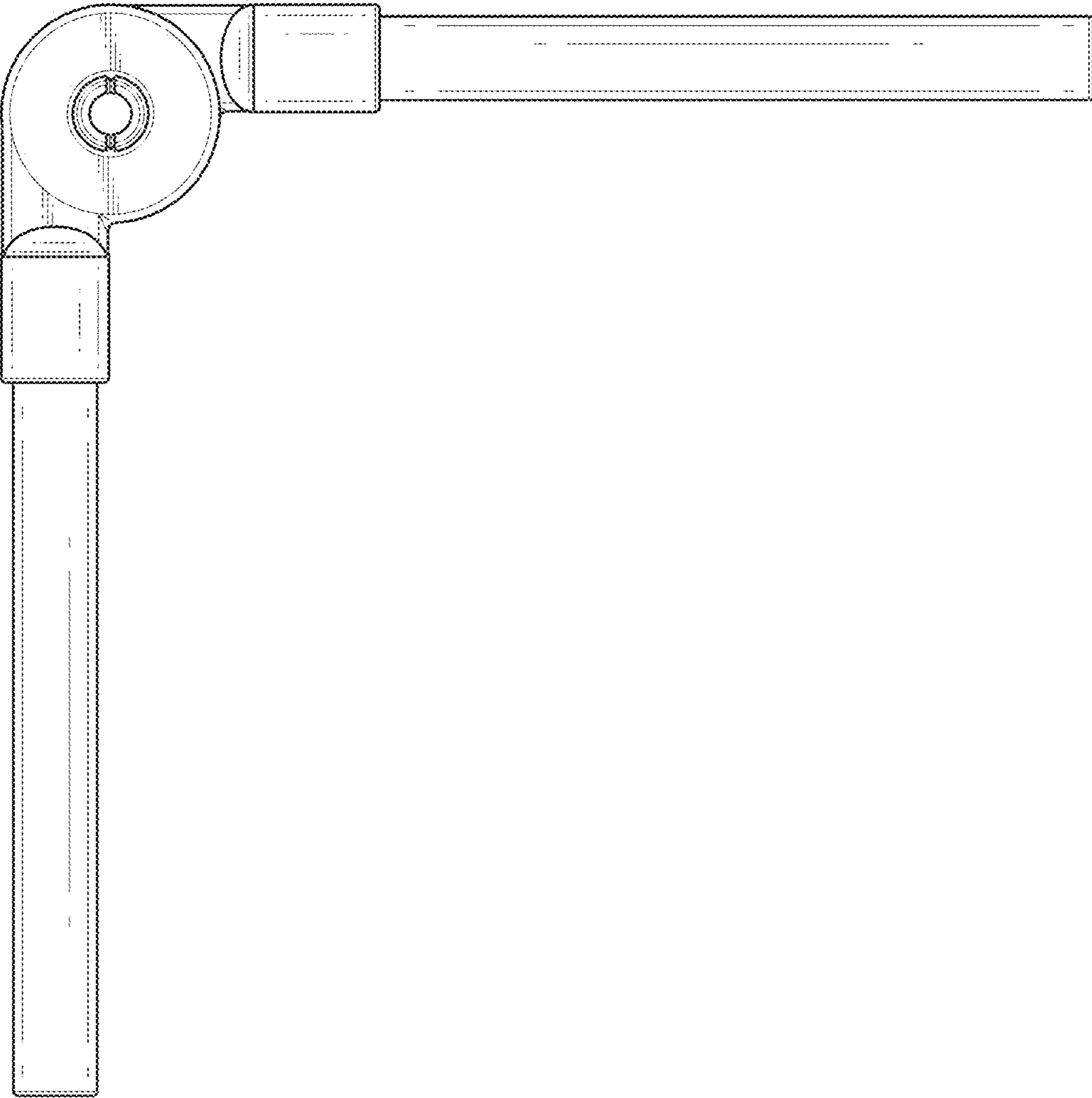


FIG. 9

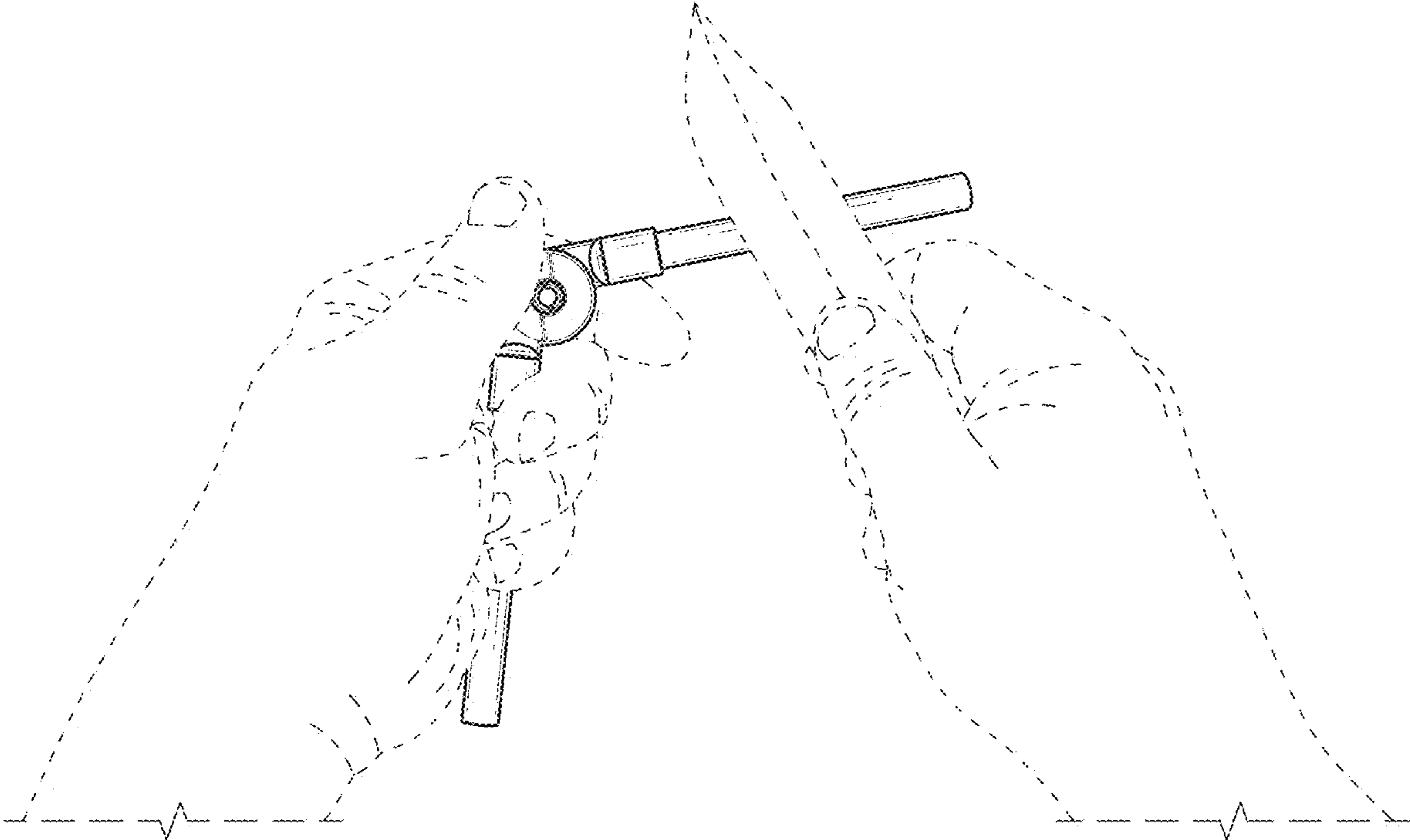


FIG. 10

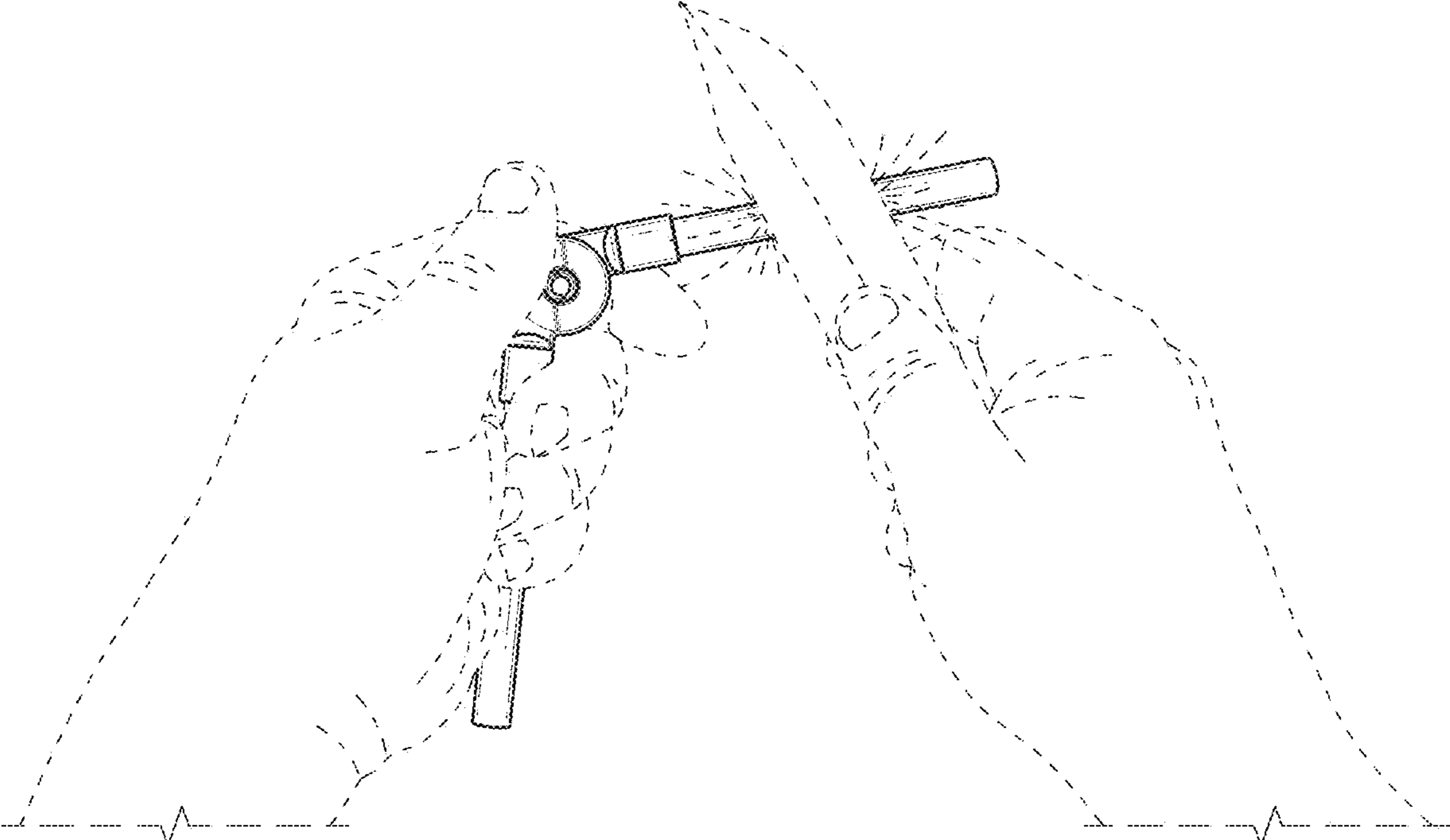


FIG. 11