



US00D998325S

(12) **United States Design Patent Sessions**

(10) **Patent No.: US D998,325 S**

(45) **Date of Patent: ** Sep. 12, 2023**

(54) **CLIP POUCH**

(71) Applicant: **Amy Sessions**, Granite Bay, CA (US)

(72) Inventor: **Amy Sessions**, Granite Bay, CA (US)

(**) Term: **15 Years**

(21) Appl. No.: **29/726,649**

(22) Filed: **Mar. 4, 2020**

(51) **LOC (14) Cl.** **03-01**

(52) **U.S. Cl.**
USPC **D3/215; D3/303**

(58) **Field of Classification Search**
USPC .. D3/203.1, 203.5-203.8, 215, 226-228, 230,
D3/232, 245-247, 273, 276, 283-291, 299,
D3/301, 303, 249; D14/250, 440
CPC A45C 11/00; A45C 13/10; H04B 1/3888;
H04M 1/04

See application file for complete search history.

(56) **References Cited**

U.S. PATENT DOCUMENTS

D245,947	S	*	10/1977	Finley	D3/221
5,285,833	A	*	2/1994	Haxby	A45C 1/04 150/102
5,524,802	A		6/1996	Benson et al.		
D588,802	S	*	3/2009	Cicione	D3/228
D656,071	S	*	3/2012	Treon	D12/133
D728,218	S	*	5/2015	Goldstein	D3/203.6
D745,012	S	*	12/2015	Flannigan	D14/440
D775,619	S	*	1/2017	Tien	D14/250
D776,104	S	*	1/2017	Tien	D14/250
D780,167	S	*	2/2017	Tien	D14/250
D808,170	S	*	1/2018	Goldszer	D3/303

(Continued)

OTHER PUBLICATIONS

Car Back Seat Tablet Organizer, Retrieved from Internet, Retrieved on Apr. 30, 2019 <URL: <https://www.ebay.com/itm/Zone-Tech-Car-Back-Seat-Tablet-Organizer-Ipad-Case-Sleeve-Pouch-Drive-Holder-/291774284094>>.

Nite Ize RunOff Waterproof Travel Pouch - Small, unknown first available date, rei.com [online], [site visited Jan. 24, 2022], Available at URL: <https://www.rei.com/product/192823/nite-ize-runoff-waterproof-travel-pouch-small> (Year: 2022).*

Squids Ergodyne Squids 3760 Water Resistant Phone Pouch and Trap, unknown first available date, lowes.com [online], [site visited Jan. 24, 2022], Available at URL: <https://www.lowes.com/pd/Squids-Ergodyne-Squids-3760-Water-Resistant-Phone-Pouch-and-Trap-Clear-Standard/1001855074> (Year: 2022).*

(Continued)

Primary Examiner — Jeffrey D Asch
Assistant Examiner — Caitlin A Laverty

(57) **CLAIM**

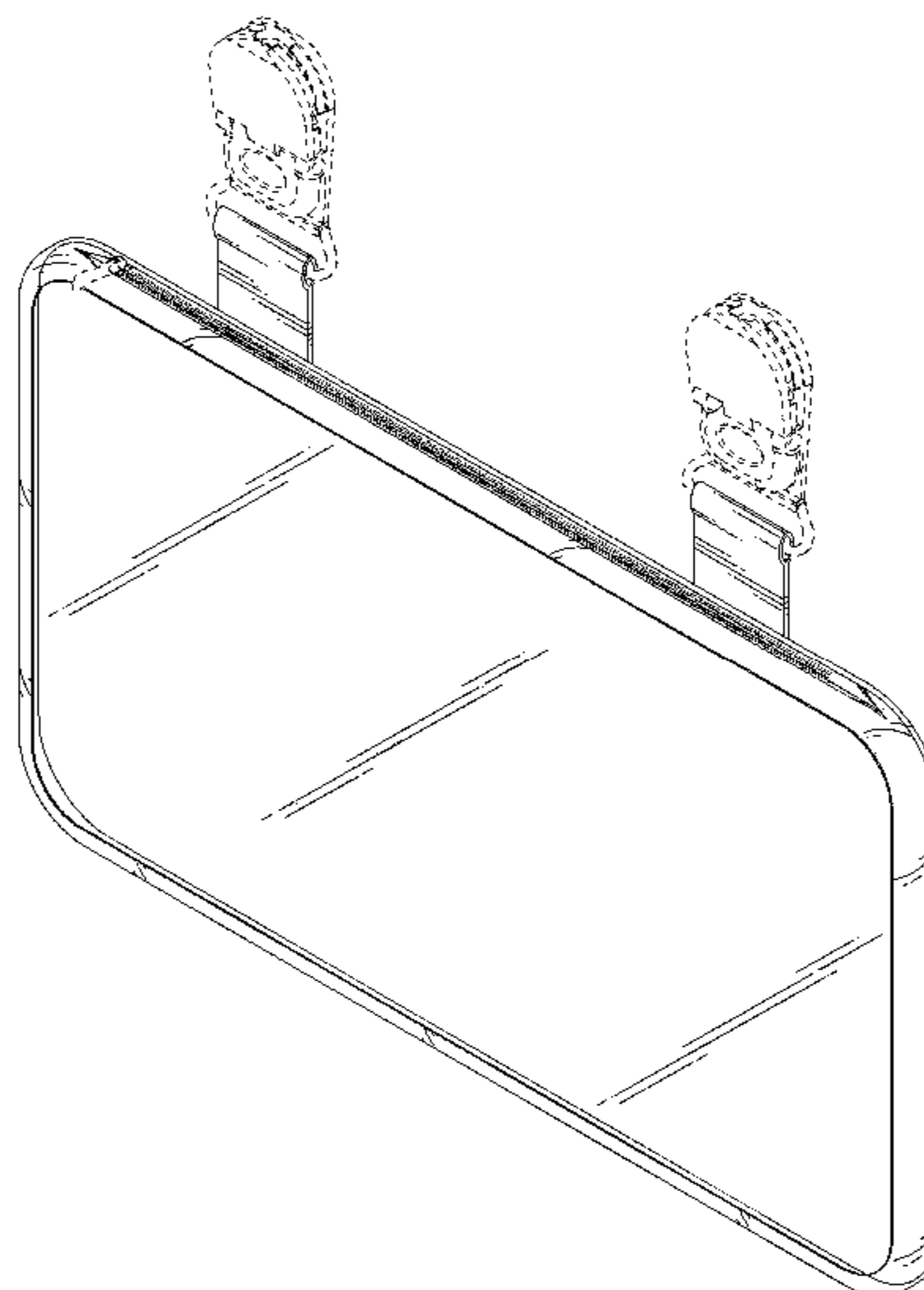
The ornamental design for a clip pouch as shown and described.

DESCRIPTION

FIG. 1 is a front top left perspective view of a clip pouch; FIG. 2 is a front bottom left perspective view thereof; FIG. 3 is a rear top right perspective view thereof; FIG. 4 is a front elevational view thereof; FIG. 5 is a rear elevational view thereof; FIG. 6 is a top plan view thereof; FIG. 7 is a bottom plan view thereof; FIG. 8 is a right elevational view thereof; and FIG. 9 is a left elevational view.

The broken line showing a plurality of clips, a plurality of rings, and a complete zipper assembly in FIGS. 1-9 are included for the purpose of illustrating environmental structure and forms no part of the claimed design.

1 Claim, 9 Drawing Sheets



(56)

References Cited

U.S. PATENT DOCUMENTS

10,542,804 B1* 1/2020 Wang A45C 11/00
 D891,435 S * 7/2020 Cheng D14/440
 10,797,743 B1 10/2020 Sessions
 D907,359 S * 1/2021 Clark D3/222
 D914,831 S * 3/2021 Henry D22/199
 D938,105 S * 12/2021 Metz D30/153
 D952,642 S * 5/2022 Beckstead D14/440
 2012/0152989 A1 6/2012 Draper
 2013/0256173 A1* 10/2013 Sabbah A45F 3/02
 206/457
 2018/0020791 A1* 1/2018 Cole et al. A45F 3/005
 224/576
 2020/0000198 A1* 1/2020 Schroeder A45C 13/30

OTHER PUBLICATIONS

Tony SML, unknown first available date, hammitt.com [online], [site visited Jan. 24, 2022], Available at URL: https://www.hammitt.com/products/tony-sml-clear-black-crossbody?_pos=9&_sid=8b1cc488b&_ss=r (Year: 2022).*

Water Resistance Pouch, Retrieved from Internet, Retrieved on Apr. 3, 2019 <URL: <https://www.aliexpress.com/item/32830158641.html>>.

Waterproof Underwater Case, Retrieved from Internet, Retrieved on Apr. 3, 2019 <URL: <https://www.ebay.co.uk/itm/Waterproof-Underwater-Case-Cover-Bag-Dry-Pouch-for-Mobile-Phone-iPhone-Samsung/323664430026>>.

* cited by examiner

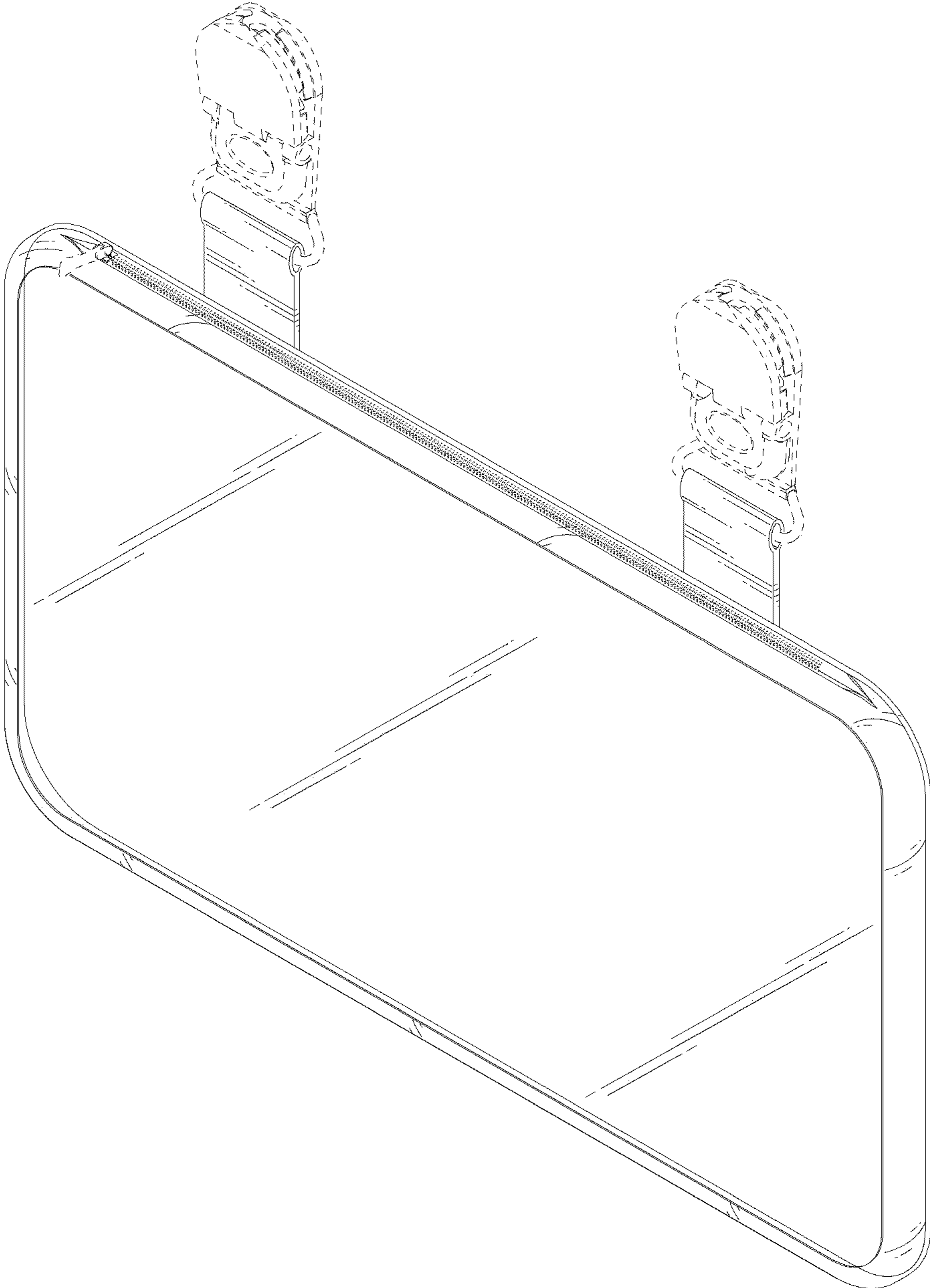


FIG. 1

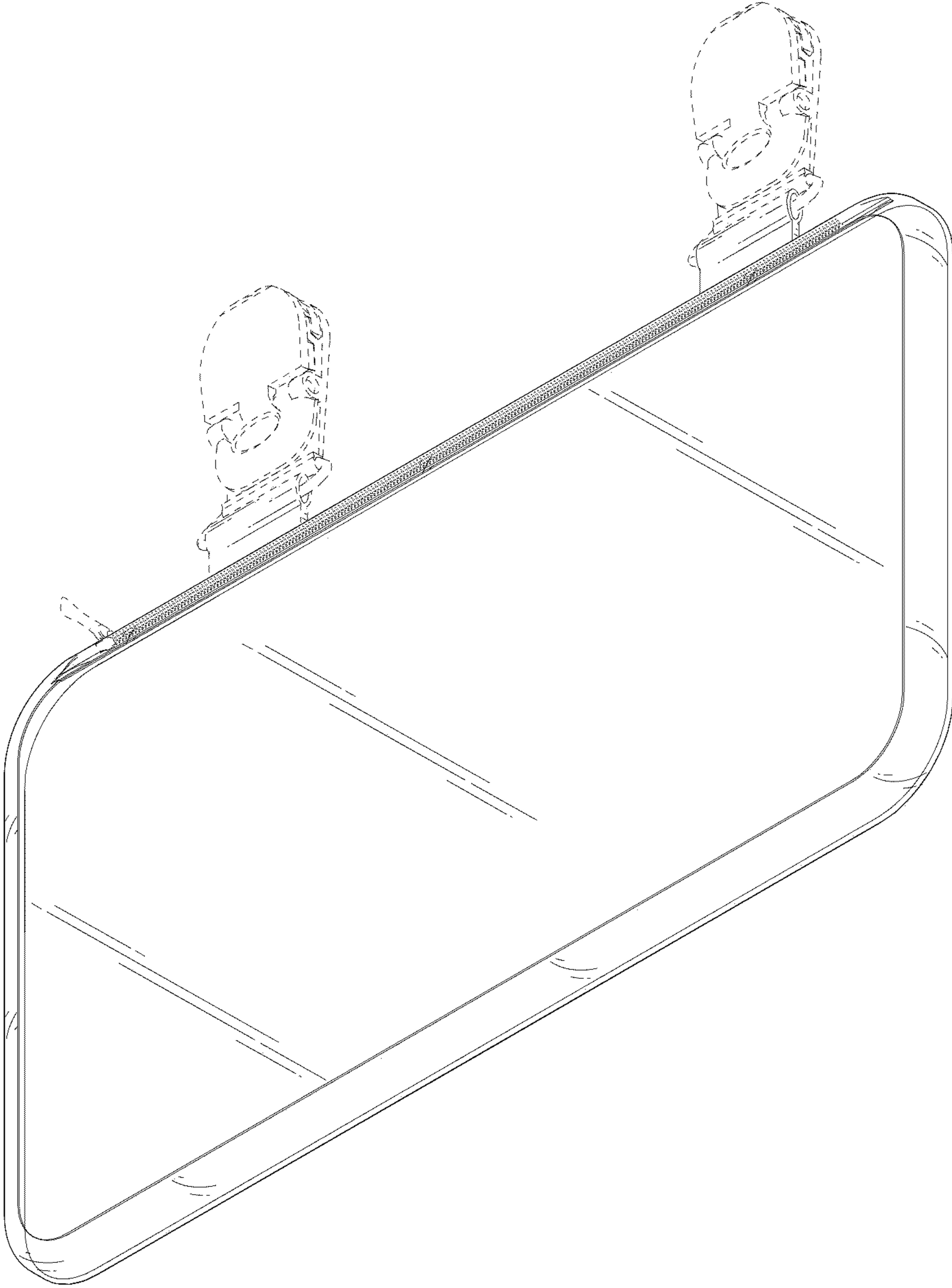


FIG. 2

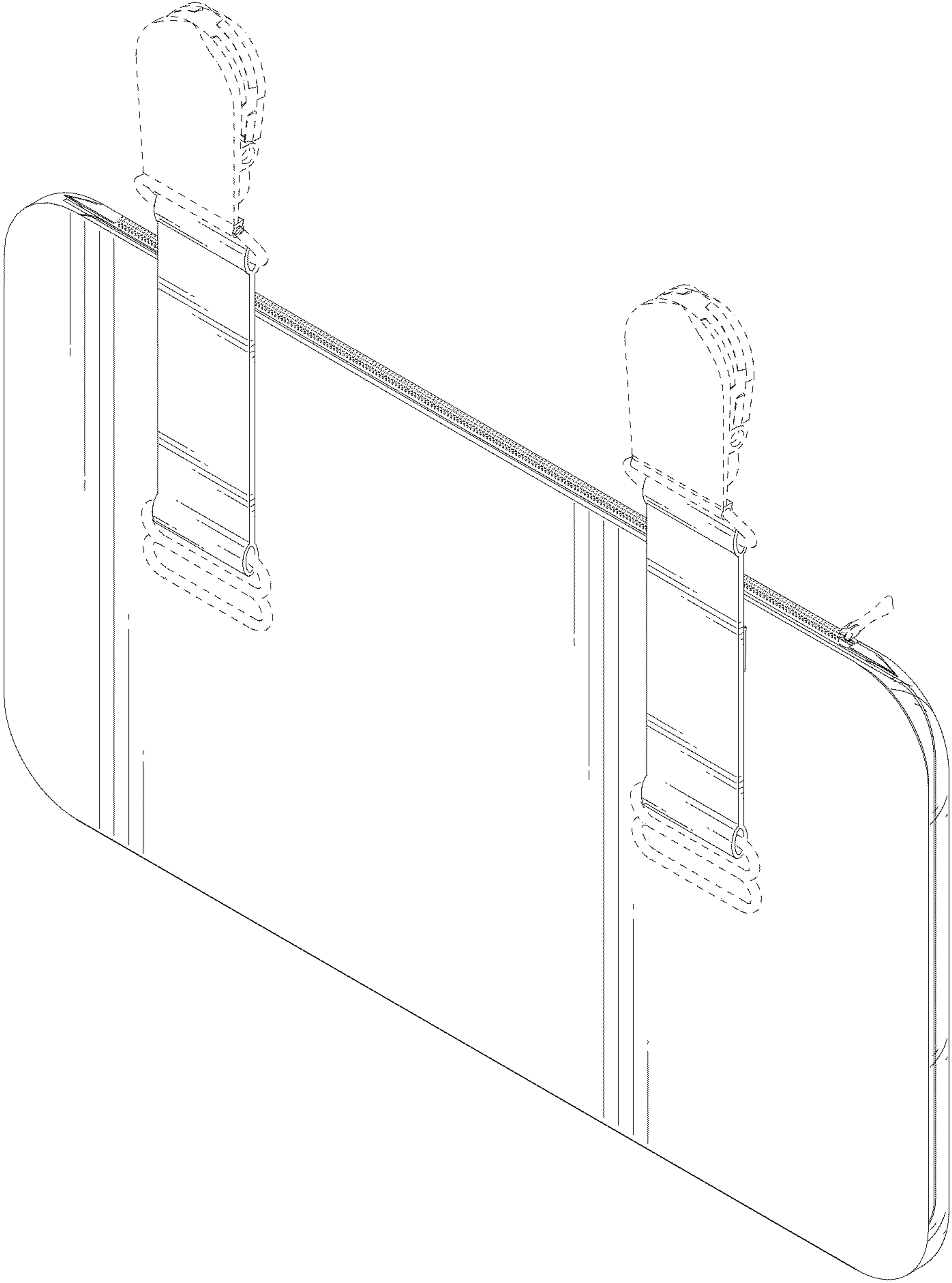


FIG. 3

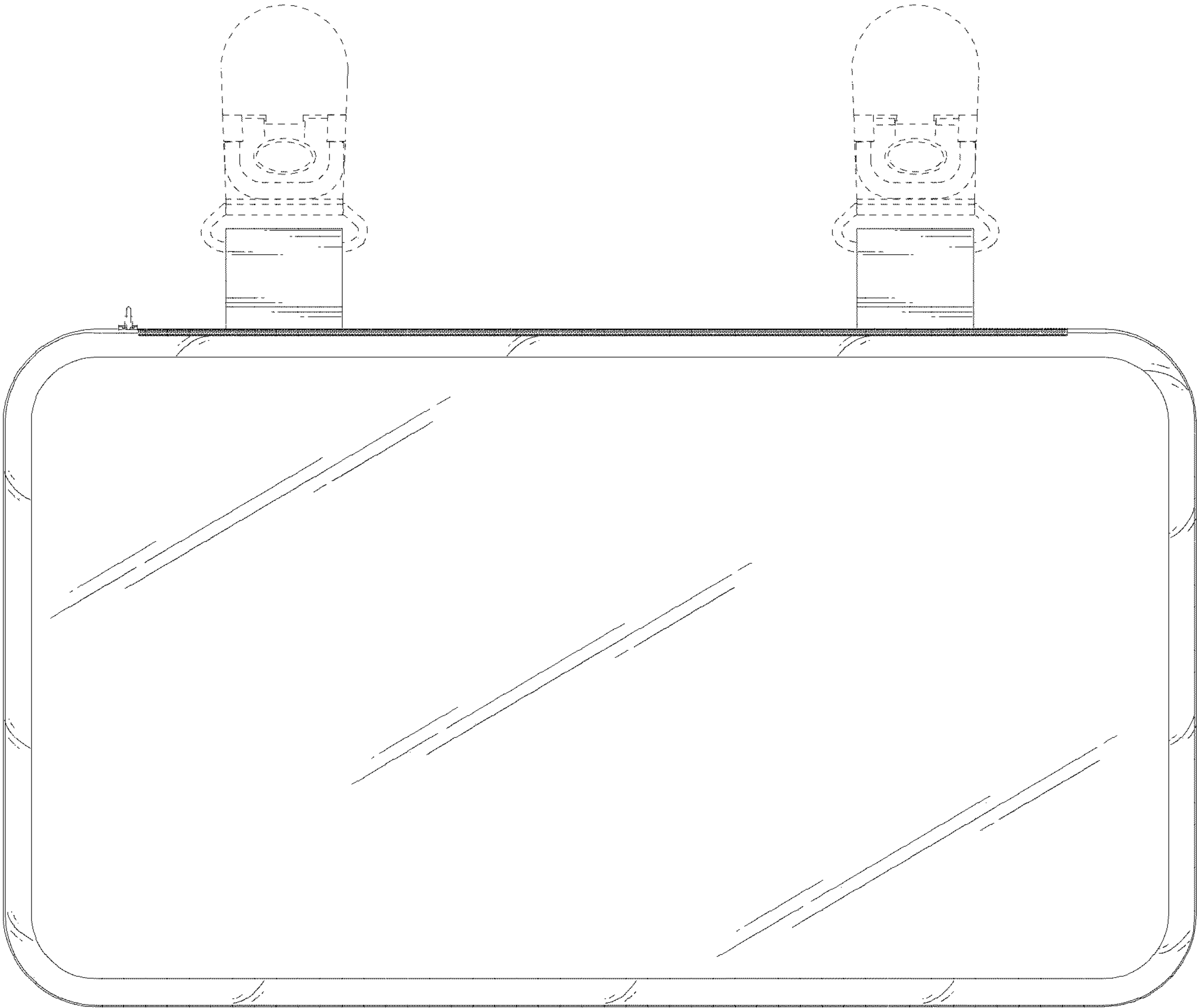


FIG. 4

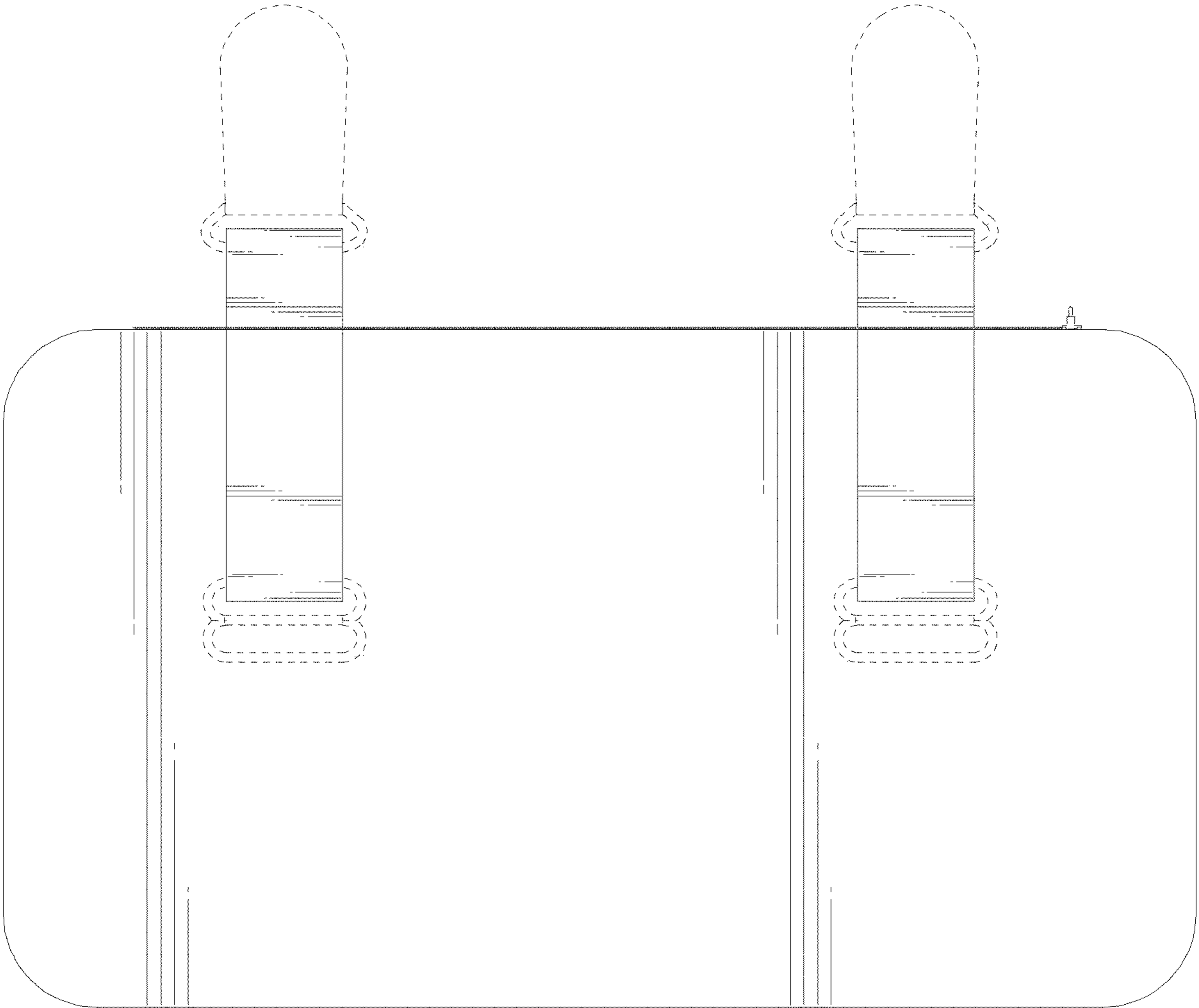


FIG. 5

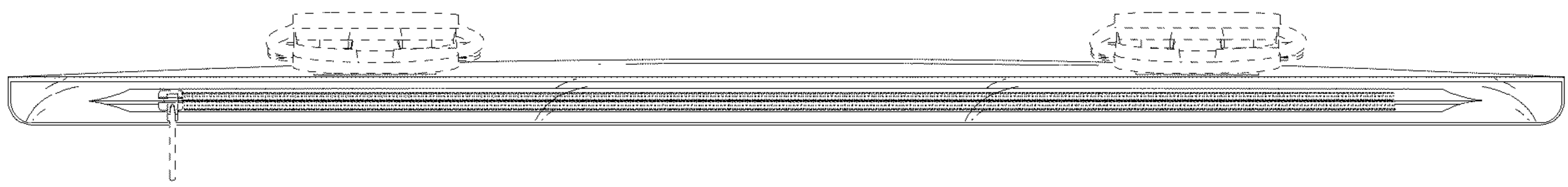


FIG. 6

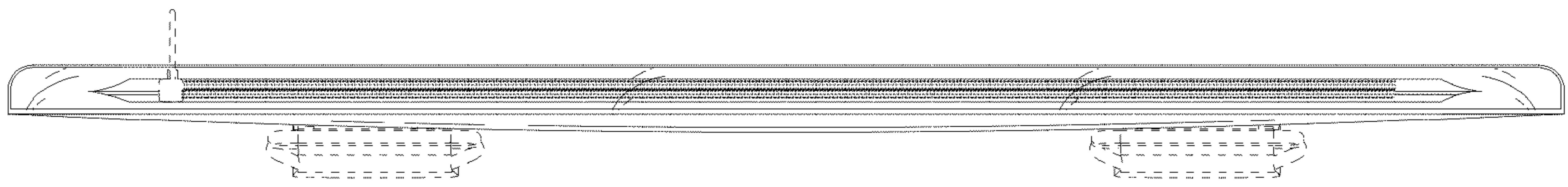


FIG. 7

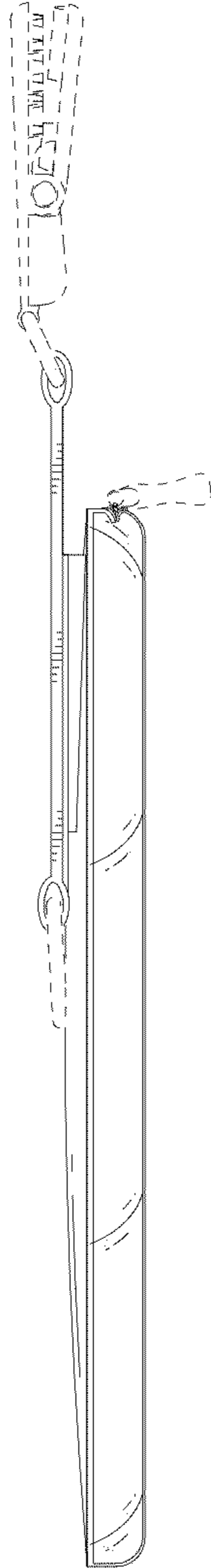


FIG. 8

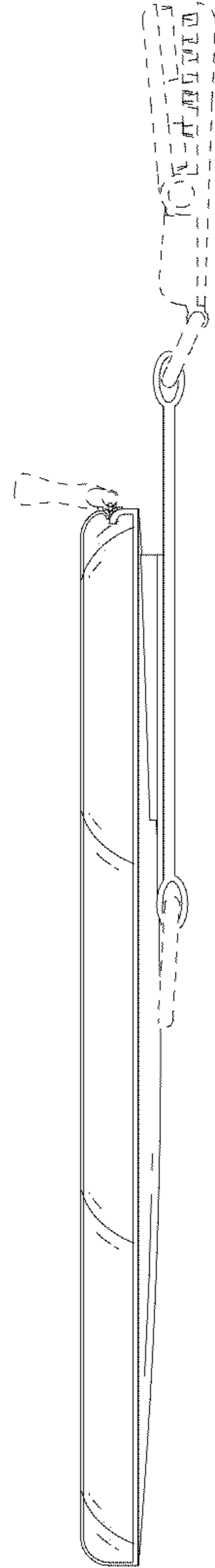


FIG. 9