



US00D998198S

(12) **United States Design Patent** (10) **Patent No.:** **US D998,198 S**
Zhai (45) **Date of Patent:** **** Sep. 5, 2023**

(54) **HEADLIGHT FOR A VEHICLE**
(71) Applicant: **Bayerische Motoren Werke Aktiengesellschaft, Munich (DE)**
(72) Inventor: **Chunyue Zhai, Munich (DE)**
(73) Assignee: **Bayerische Motoren Werke Aktiengesellschaft, Munich (DE)**

D868,316 S * 11/2019 Lin D26/28
D876,687 S * 2/2020 Lin D26/28
D893,772 S 8/2020 Binder
D898,244 S * 10/2020 Badstuebner D26/28
D910,892 S * 2/2021 Tanaka D26/28
D913,549 S * 3/2021 Nishii D26/28
D973,924 S * 12/2022 Hayden D26/28

(**) Term: **15 Years**
(21) Appl. No.: **29/800,772**
(22) Filed: **Jul. 23, 2021**

FOREIGN PATENT DOCUMENTS

WO WO DM/214534 5/2021

(30) **Foreign Application Priority Data**
Jan. 27, 2021 (DE) 402021100065.8
(51) **LOC (14) Cl.** **26-06**
(52) **U.S. Cl.**
USPC **D26/28**
(58) **Field of Classification Search**
USPC D26/28-36; D12/86, 90, 91, 93, 163,
D12/169, 173
CPC F21S 41/00-698; F21S 43/00-50; B60Q
1/04
See application file for complete search history.

OTHER PUBLICATIONS

Misoyannis, Alex, 2021 BMW 2 Series Coupe Leaked, Drive, Apr. 27, 2020, 14 pages.

* cited by examiner

Primary Examiner — Cary M Robinson
Assistant Examiner — Julie Marie Bailey
(74) *Attorney, Agent, or Firm* — Crowell & Moring LLP

(56) **References Cited**
U.S. PATENT DOCUMENTS

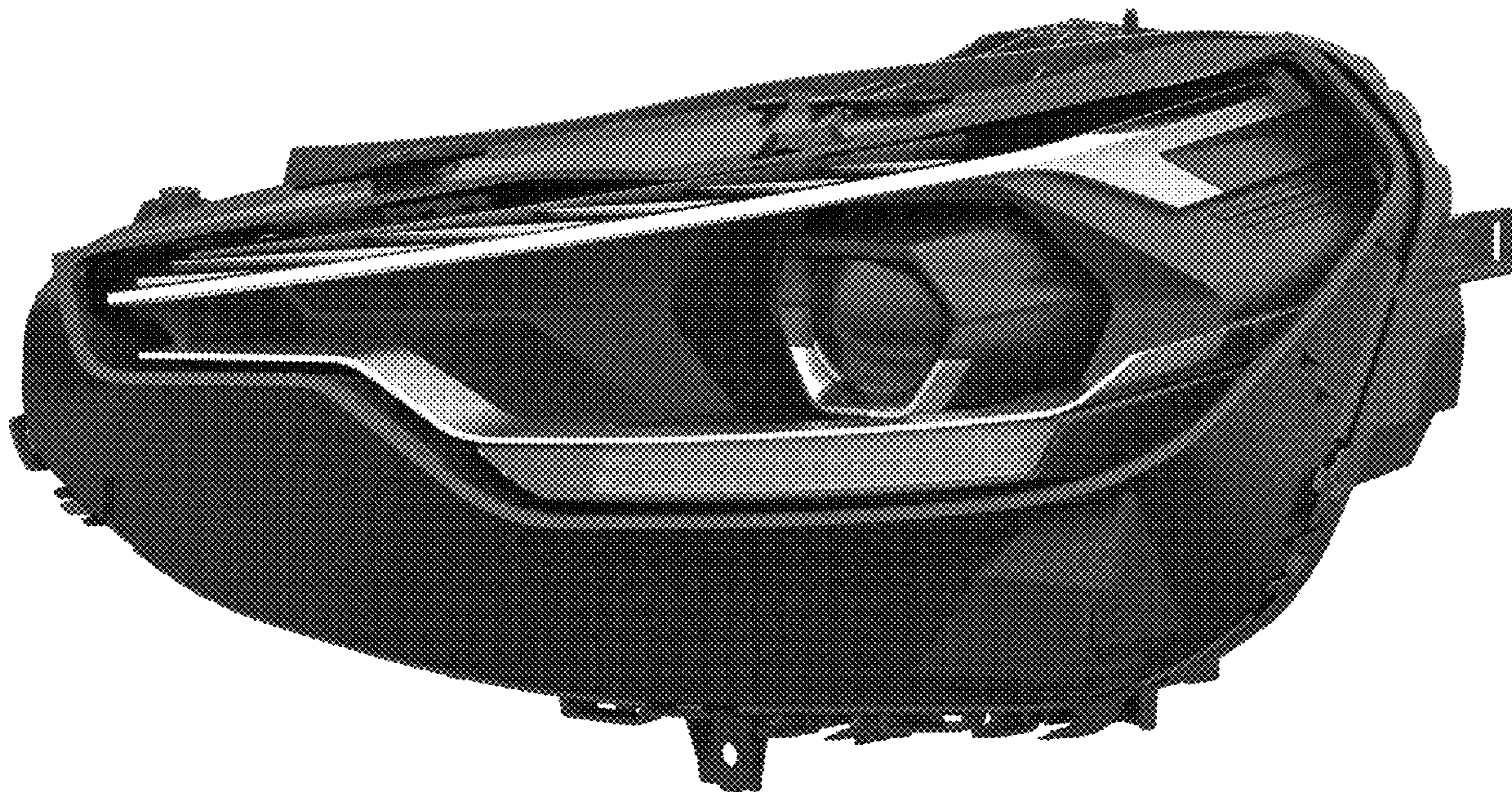
D736,969 S 8/2015 Selvaag
D827,884 S 9/2018 Hannemann
D828,590 S 9/2018 Hannemann
D845,521 S 4/2019 Binder
D858,814 S * 9/2019 Burns D26/28
D866,820 S * 11/2019 Munakata D26/28

(57) **CLAIM**
The ornamental design for a headlight for a vehicle, as shown and described.

DESCRIPTION

FIG. 1 is a front view of a headlight for a vehicle according to the design;
FIG. 2 is a right, front perspective view thereof;
FIG. 3 is a left, bottom perspective view thereof;
FIG. 4 is a right side view thereof;
FIG. 5 is a left side view thereof;
FIG. 6 is a top view thereof;
FIG. 7 is a bottom view thereof; and,
FIG. 8 is a rear view thereof.

1 Claim, 8 Drawing Sheets



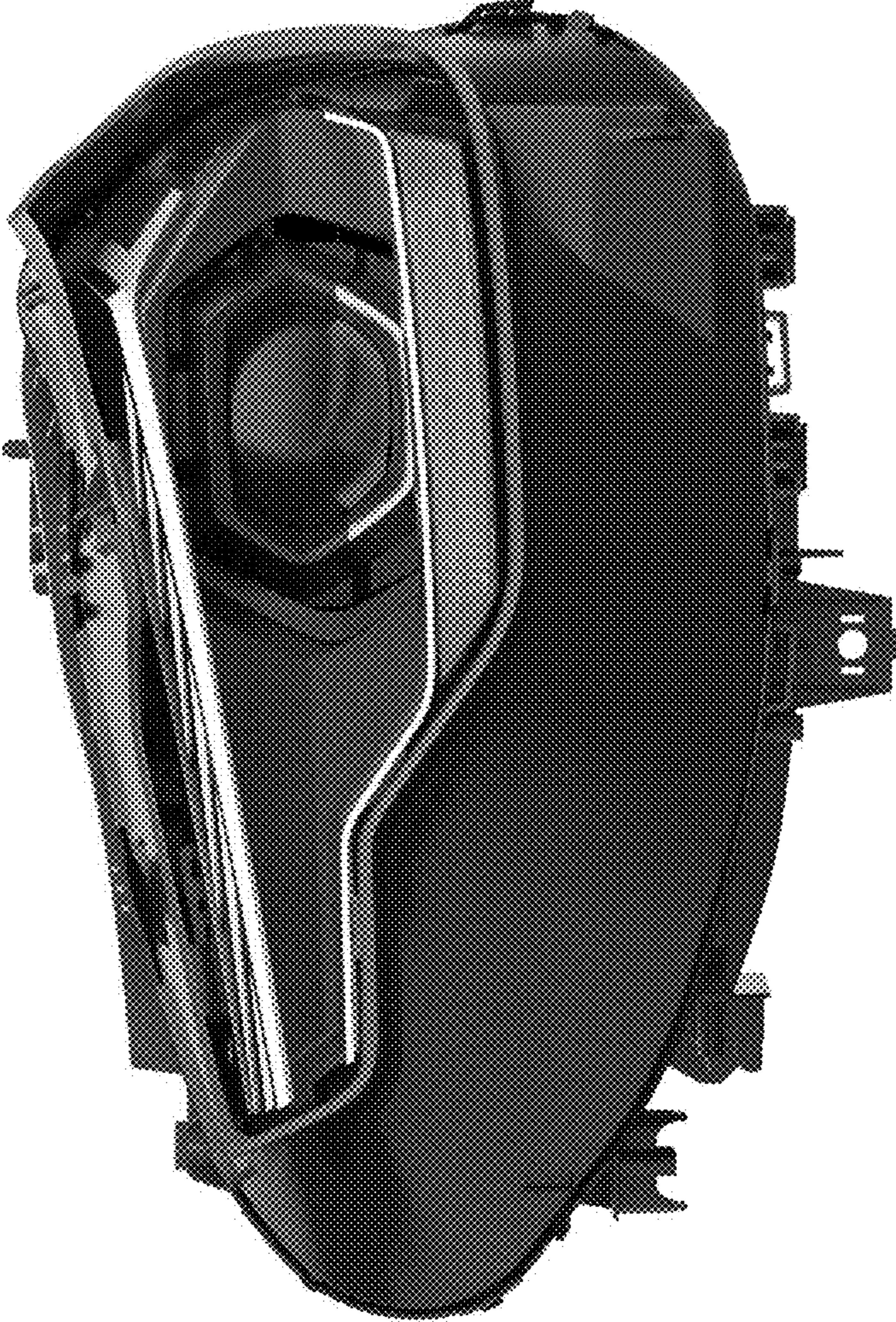


Fig. 1



Fig. 2

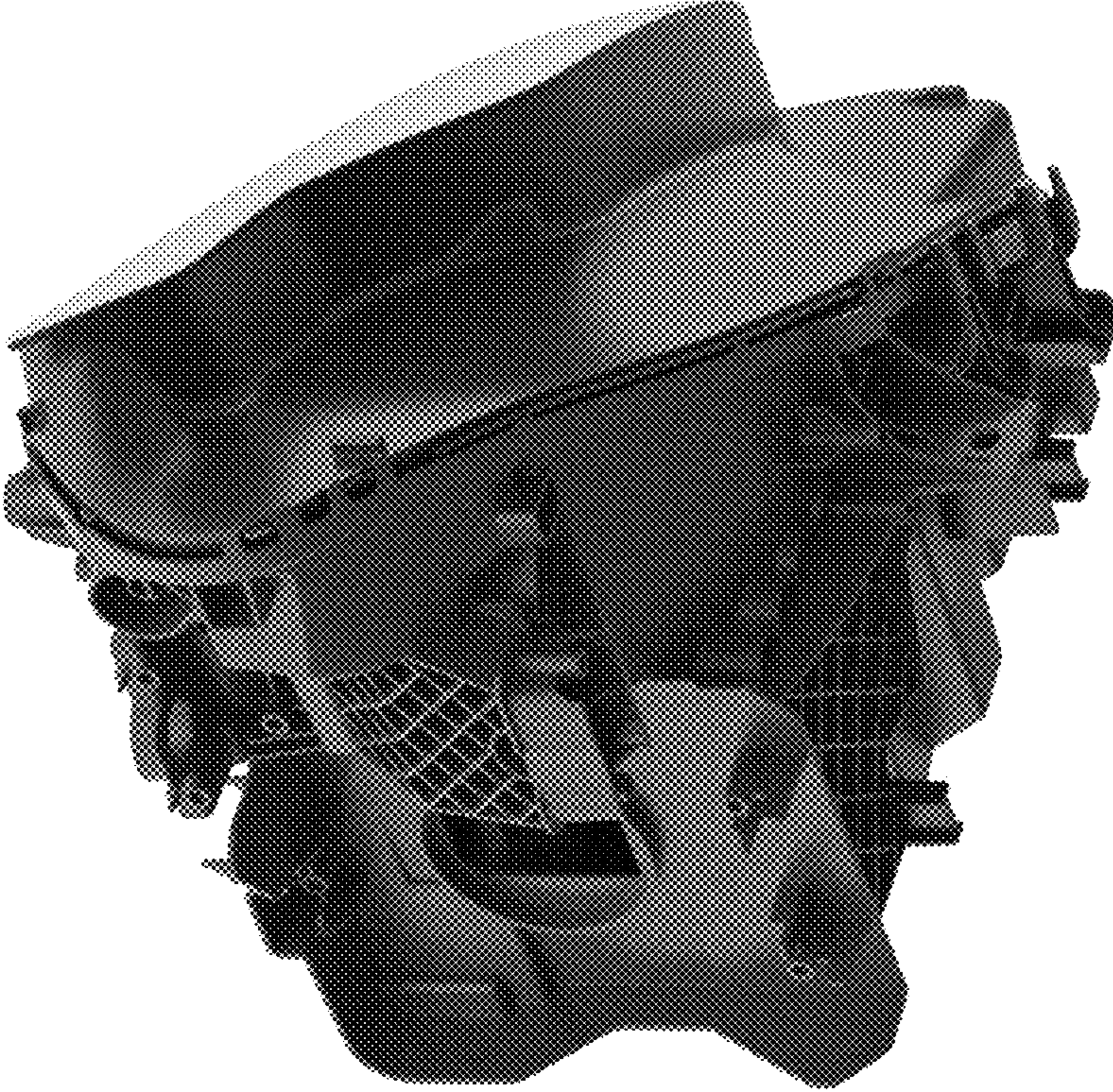


Fig. 3

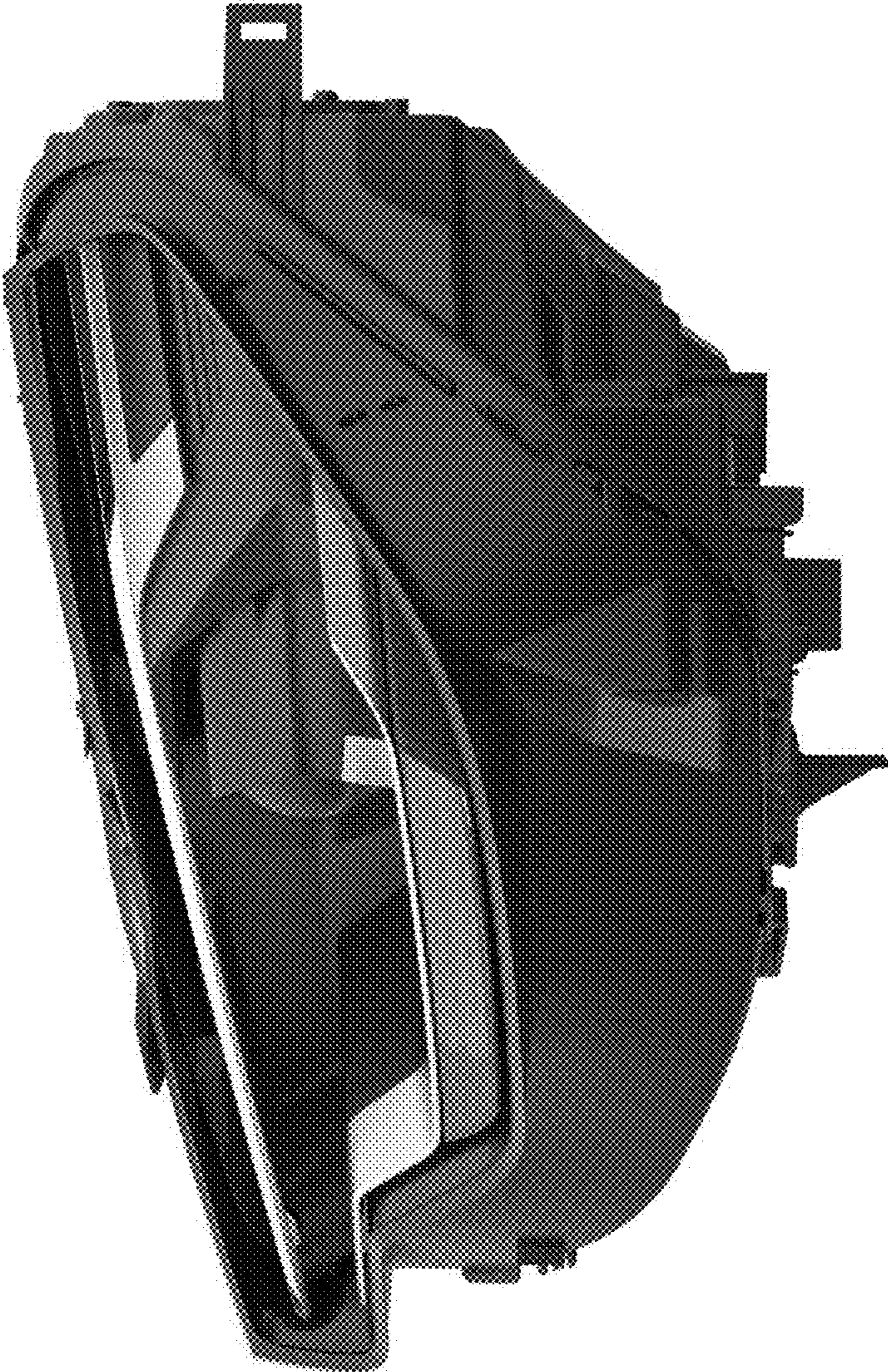


Fig. 4

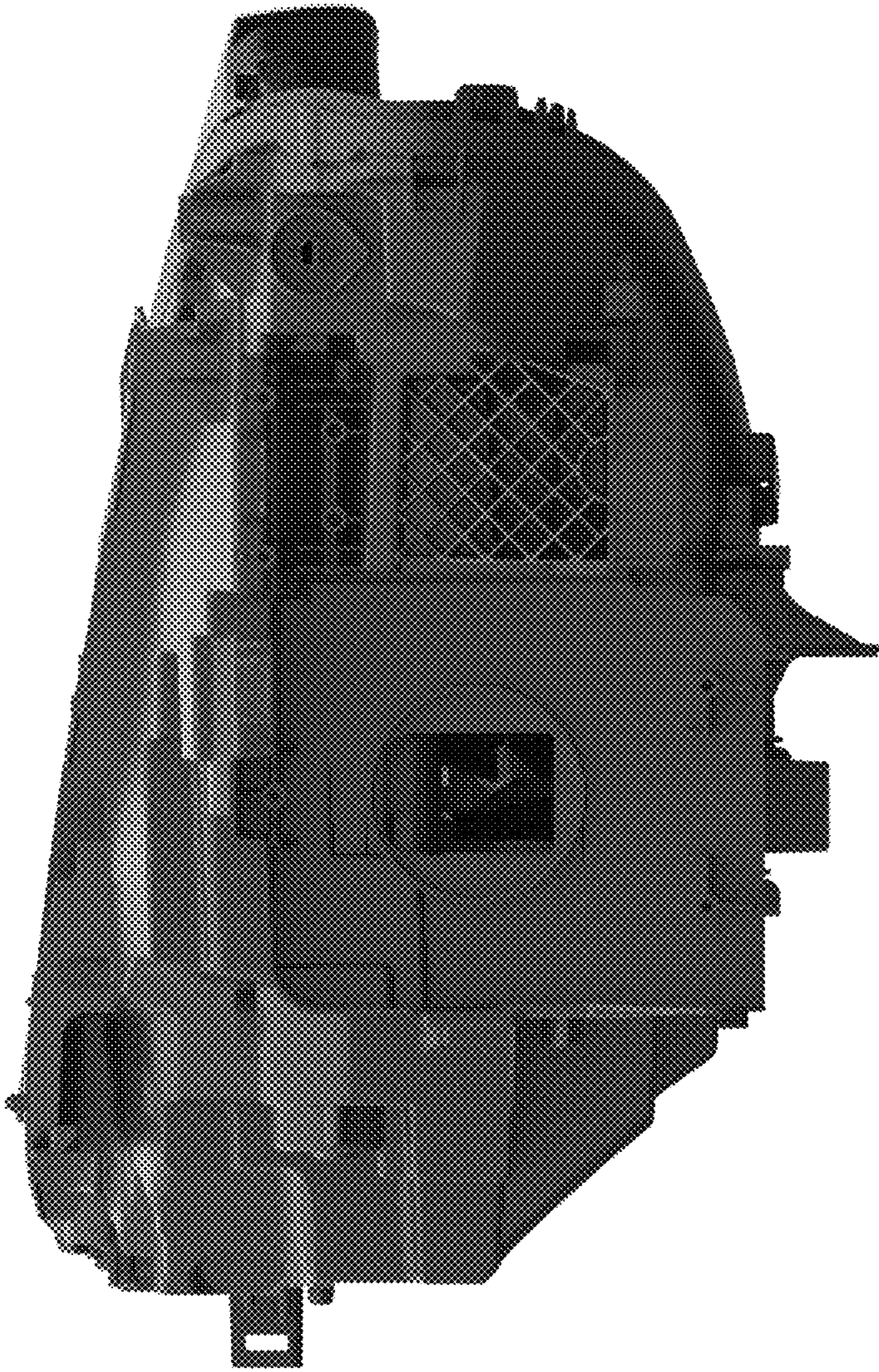


Fig. 5

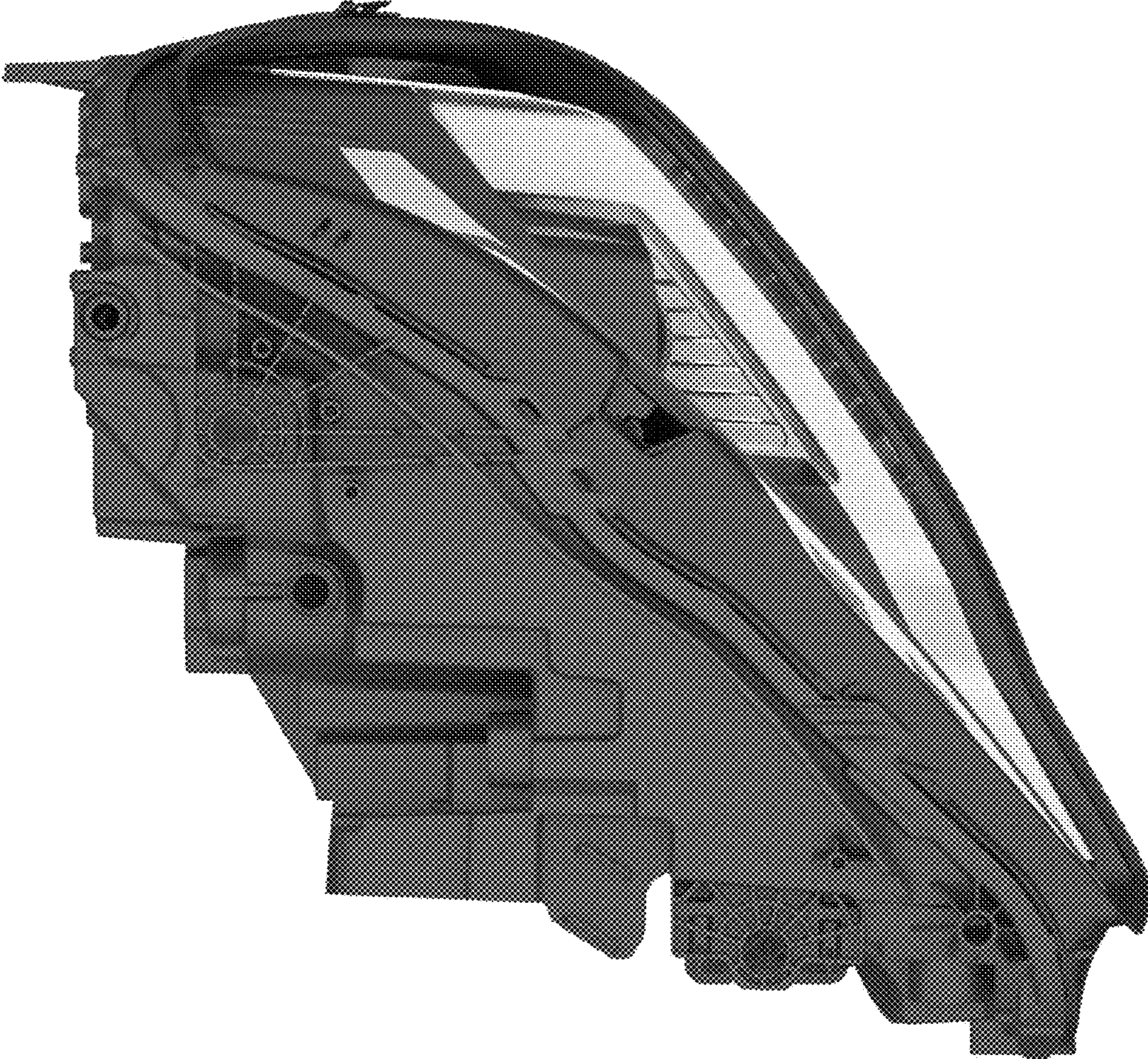


Fig. 6

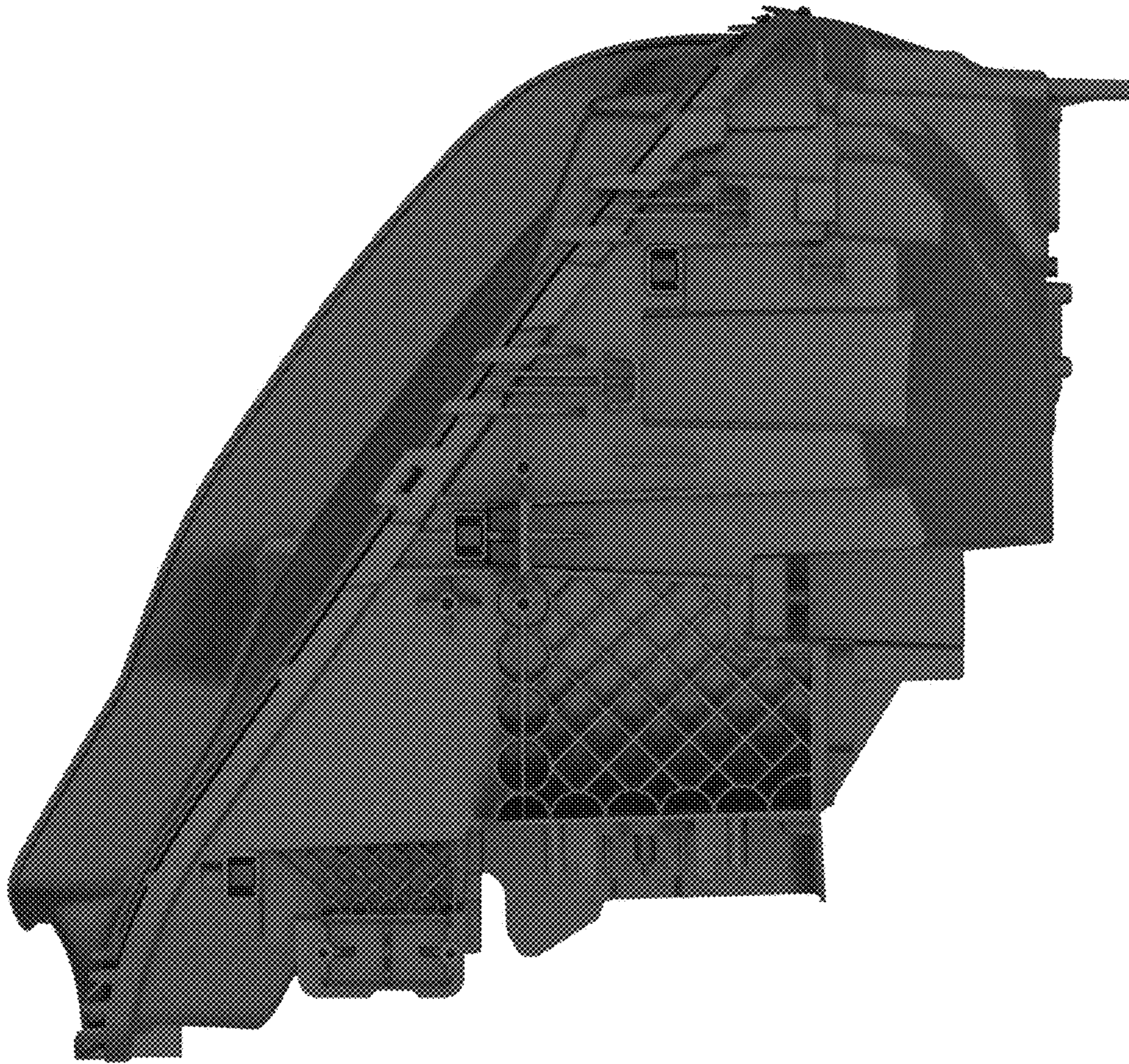


Fig. 7

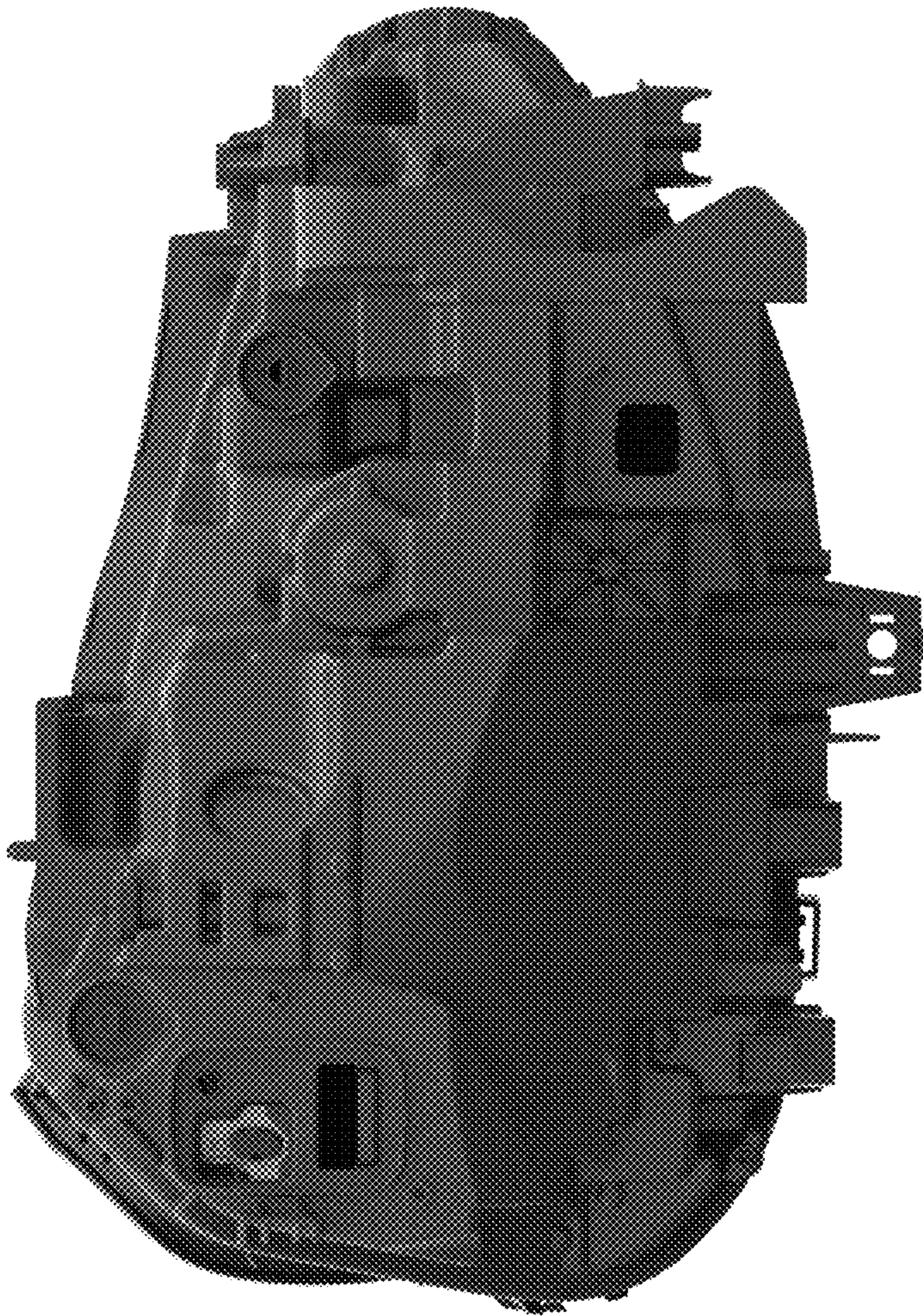


Fig. 8