



US00D997825S

(12) **United States Design Patent**
Liu et al.

(10) **Patent No.:** **US D997,825 S**
(45) **Date of Patent:** **** Sep. 5, 2023**

(54) **VEHICLE WHEEL**

D928,685 S * 8/2021 Tamaki D12/209
D941,215 S * 1/2022 Sälzle B60B 3/02
D12/209
D969,713 S * 11/2022 Liu D12/211

(71) Applicant: **CITIC Dicastal Co., Ltd.**,
Qinhuangdao (CN)

(72) Inventors: **Zhichong Liu**, Qinhuangdao (CN); **Zuo Xu**, Qinhuangdao (CN); **Hanqi Wu**, Qinhuangdao (CN); **Zhijia Zhu**, Qinhuangdao (CN)

FOREIGN PATENT DOCUMENTS

CN 200730081457 * 9/2008
CN 200830113674.8 * 4/2009
GB 2078502 * 11/1999
KR 3020060023349 * 5/2007

(73) Assignee: **CITIC Dicastal Co., Ltd.**,
Qinhuangdao (CN)

OTHER PUBLICATIONS

(**) Term: **15 Years**

AutoRimShop, posting date N/A [online], [retrieved Apr. 27, 2023]. Retrieved from internet, <https://www.autorimshop.com/16-5-spoke-new-hubcaps-wheel-covers-set-of-4-arswwhc102816s.html?year=2021> (Year: 2023).*

(21) Appl. No.: **29/813,178**

(22) Filed: **Oct. 27, 2021**

(51) **LOC (14) Cl.** **12-16**

(52) **U.S. Cl.**
USPC **D12/211; D21/563**

(58) **Field of Classification Search**
USPC D12/204–213, 202, 501; D21/563, 495
CPC B60B 7/00; B60B 7/02; B60B 7/04; B60B 7/01; B60B 7/06; B60B 3/02; B60B 3/04; B60B 3/06; B60B 3/10; B60B 1/00; B60B 1/08; B60B 1/10; B60B 1/12
See application file for complete search history.

* cited by examiner

Primary Examiner — Jennifer L Rempfer
Assistant Examiner — Aaron C Fowler
(74) *Attorney, Agent, or Firm* — IPRO, PLLC

(57) **CLAIM**

The ornamental design for a vehicle wheel, as shown and described.

(56) **References Cited**

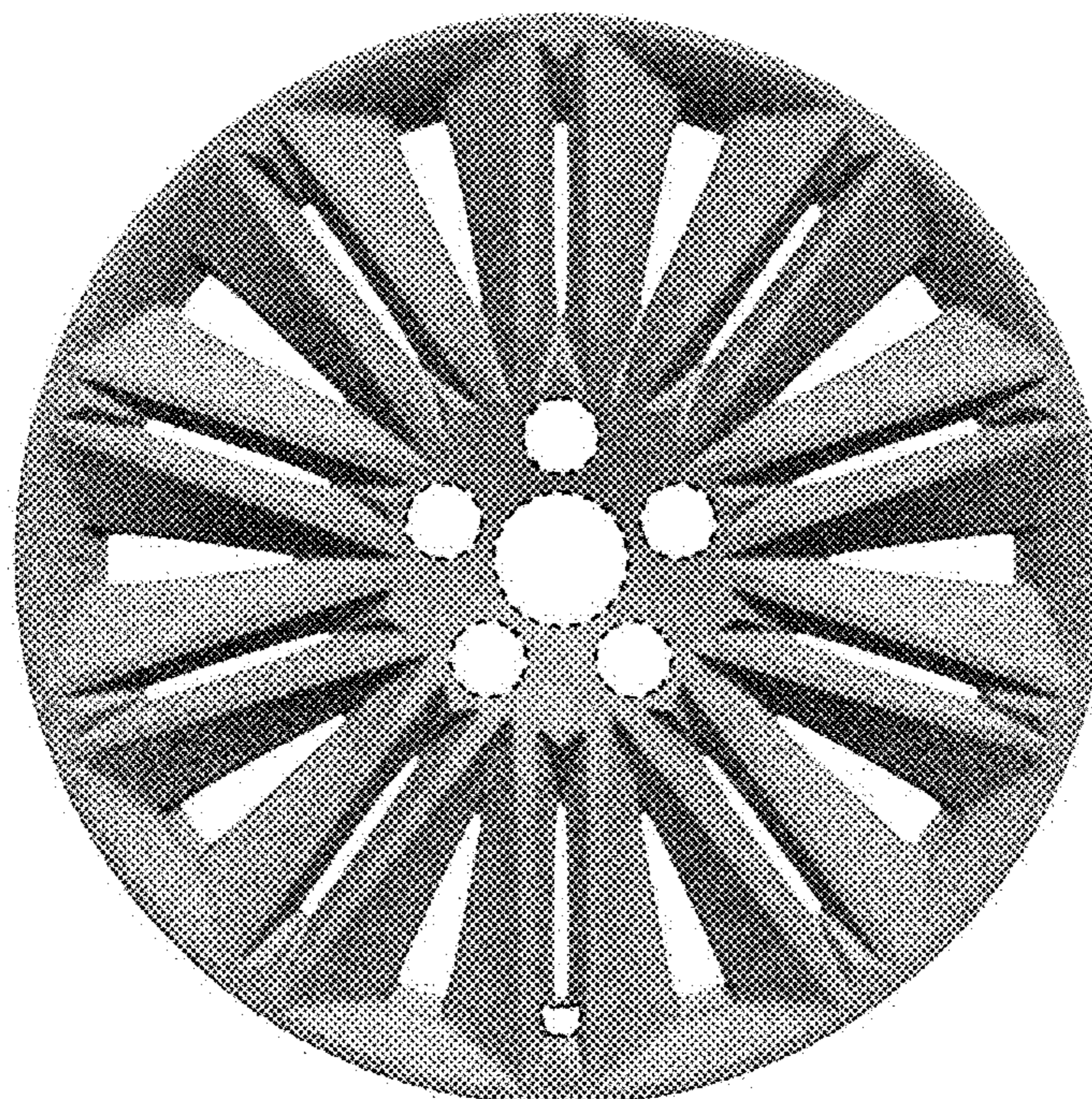
DESCRIPTION

U.S. PATENT DOCUMENTS

D441,339 S * 5/2001 Hussaini D12/211
D721,630 S * 1/2015 McLeod D12/211
D749,487 S * 2/2016 Mahoney D12/211
D777,075 S * 1/2017 Rueckheim D12/211
D897,262 S * 9/2020 Liu D12/209
D908,586 S * 1/2021 Setter D12/211

FIG. 1 is a front view of a vehicle wheel. FIG. 2 is a perspective view of the vehicle wheel; and, FIG. 3 is a left side view of the vehicle wheel. In the drawings the broken lines depict portions of the wheel that form no part of the claimed design.

1 Claim, 3 Drawing Sheets



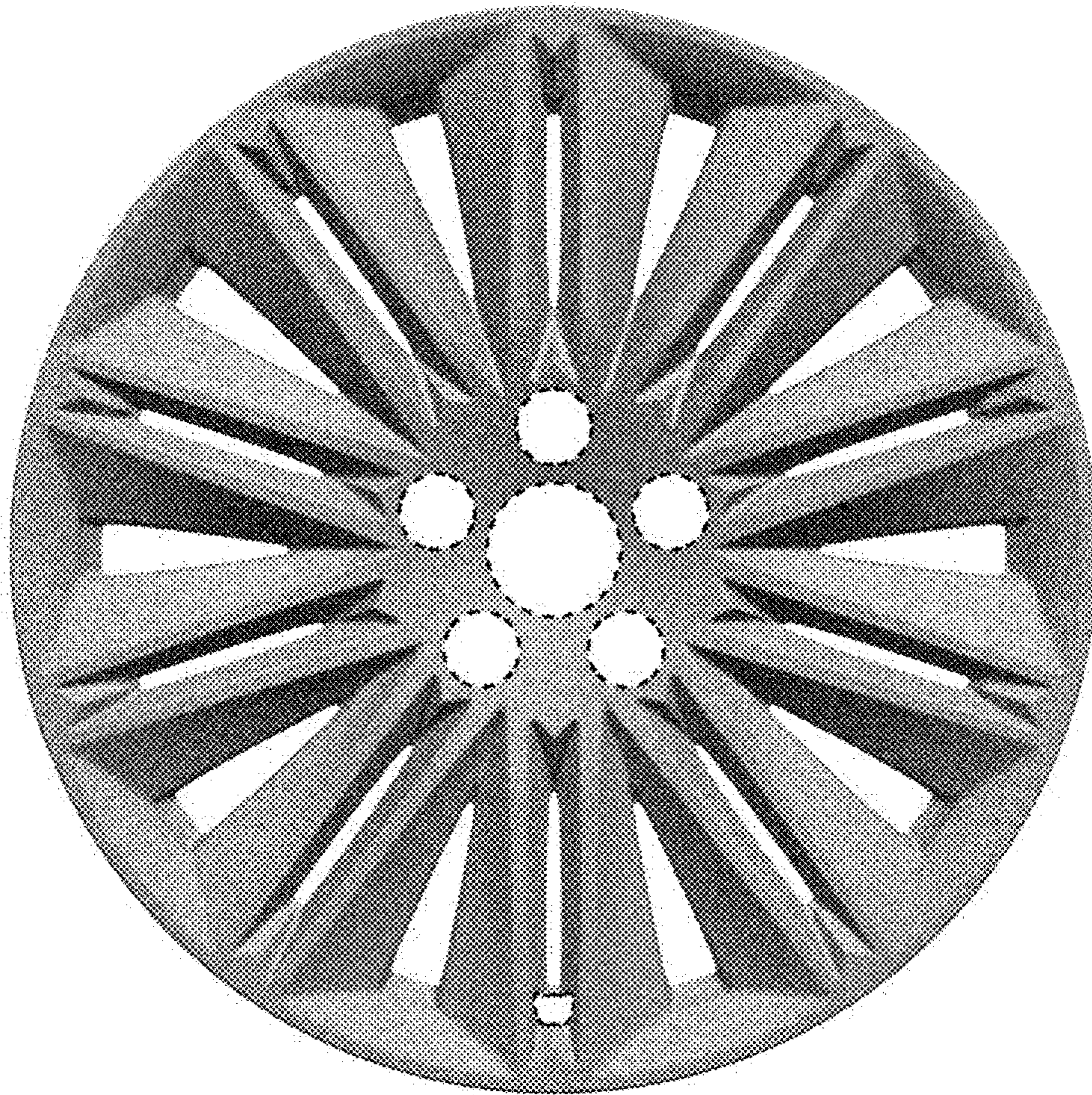


FIG. 1

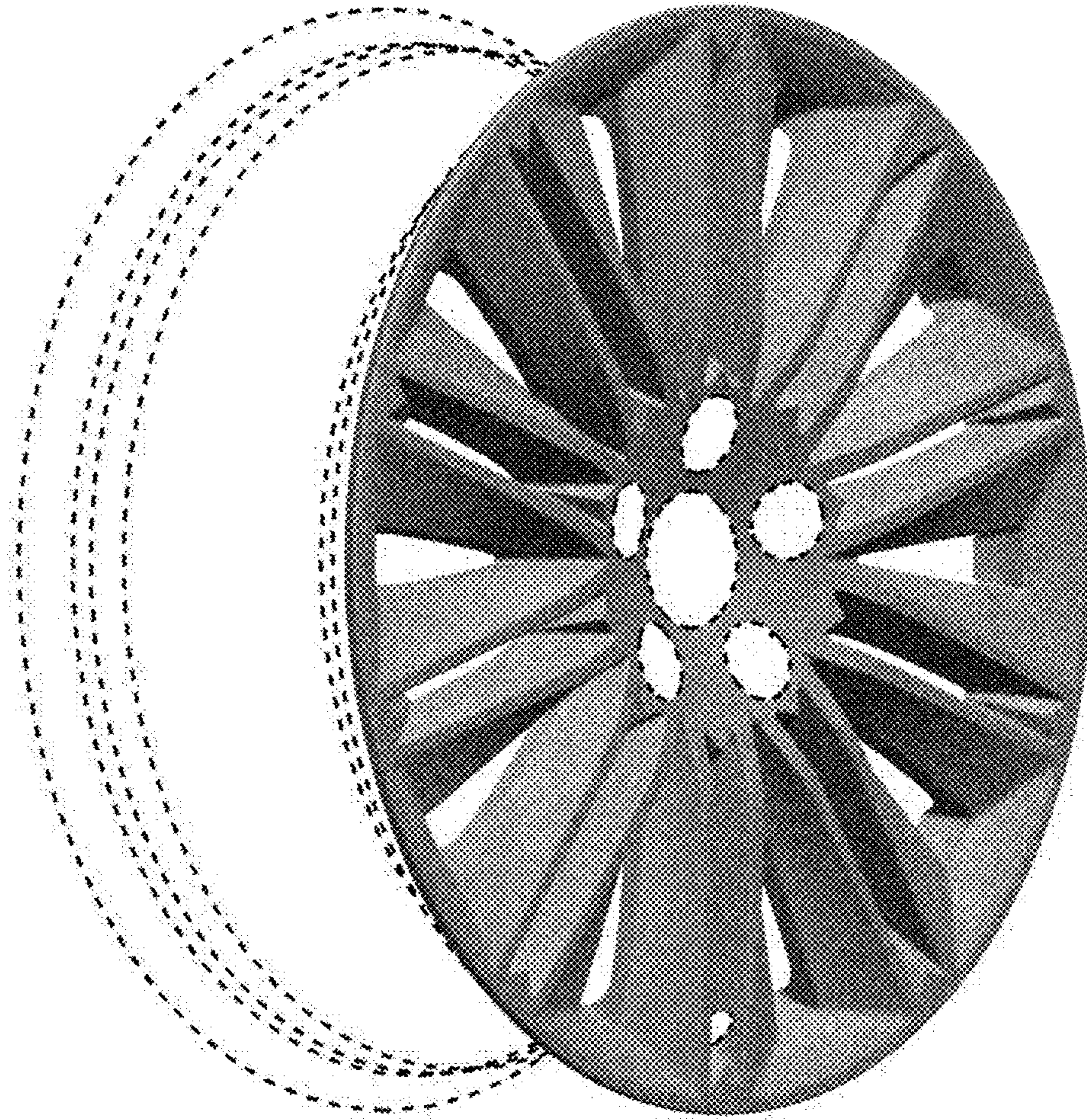


FIG. 2

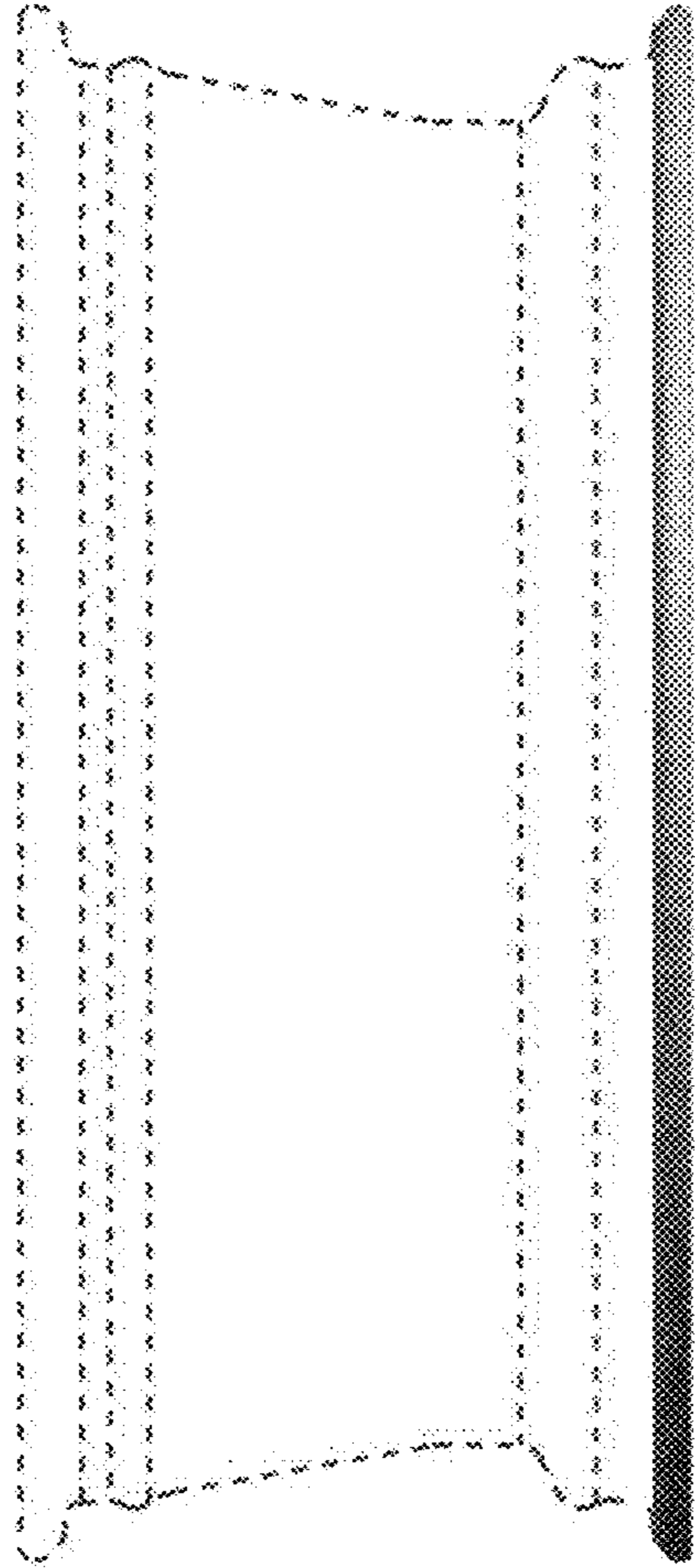


FIG. 3