



US00D997824S

(12) **United States Design Patent** (10) **Patent No.:** **US D997,824 S**
Han (45) **Date of Patent:** **** Sep. 5, 2023**

(54) **AUTOMOTIVE WHEEL**
(71) Applicant: **Design Infini, Inc.**, Irvine, CA (US)
(72) Inventor: **Donnie Han**, Irvine, CA (US)
(73) Assignee: **Design Infini, Inc.**, Irvine, CA (US)

D420,638 S 2/2000 Herrera
D426,184 S 6/2000 Goplen
D433,369 S 11/2000 Chung
D436,338 S 1/2001 Hussaini et al.
6,234,581 B1 5/2001 Stach
D444,118 S 6/2001 Chung
D449,267 S 10/2001 Fitzgerald
D451,457 S 12/2001 Hale, Jr.

(**) Term: **15 Years**

(Continued)

FOREIGN PATENT DOCUMENTS

(21) Appl. No.: **29/806,889**

CN 305062664 * 3/2019
CN 306694887 7/2021

(22) Filed: **Sep. 7, 2021**

(Continued)

(51) **LOC (14) Cl.** **12-16**

(52) **U.S. Cl.**
USPC **D12/211**

OTHER PUBLICATIONS

(58) **Field of Classification Search**
USPC D12/204–213; D21/563
CPC B60B 7/00; B60B 7/02; B60B 7/04; B60B
7/06; B60B 3/02; B60B 3/04; B60B 3/06;
B60B 3/08; B60B 3/10; B60B 1/00;
B60B 1/08; B60B 1/10; B60B 1/12

Ford Performance Mustang GT PerformancePack Black Painted, available in TireRack.com, announced Year 2020 [online], [site visited Dec. 1, 2022], Internet URL: https://www.tirerack.com/wheels/ford-performance-mustang-gt-performancepack-black-painted.*

See application file for complete search history.

(Continued)

(56) **References Cited**

Primary Examiner — Darlington Ly

Assistant Examiner — D. Ryan Tisdale

U.S. PATENT DOCUMENTS

(74) *Attorney, Agent, or Firm* — Knobbe, Martens, Olson & Bear, LLP

D188,536 S 8/1960 Nixon
D191,354 S 9/1961 Zeirhut
D191,394 S 9/1961 Garcia
3,025,110 A 3/1962 George
D202,774 S 11/1965 Nash
4,457,560 A 7/1984 Rowe et al.
4,645,268 A 2/1987 Carlson
D297,632 S 9/1988 Marshall
D349,089 S 7/1994 Echazabel et al.
D361,975 S 9/1995 Weld
D367,031 S 2/1996 Hubbach
D389,446 S 1/1998 Bradley
D392,240 S 3/1998 Kingsland
D392,929 S 3/1998 Lombard
D401,205 S 11/1998 Fischer
D407,362 S 3/1999 Schardt
D415,091 S 10/1999 Echazabal

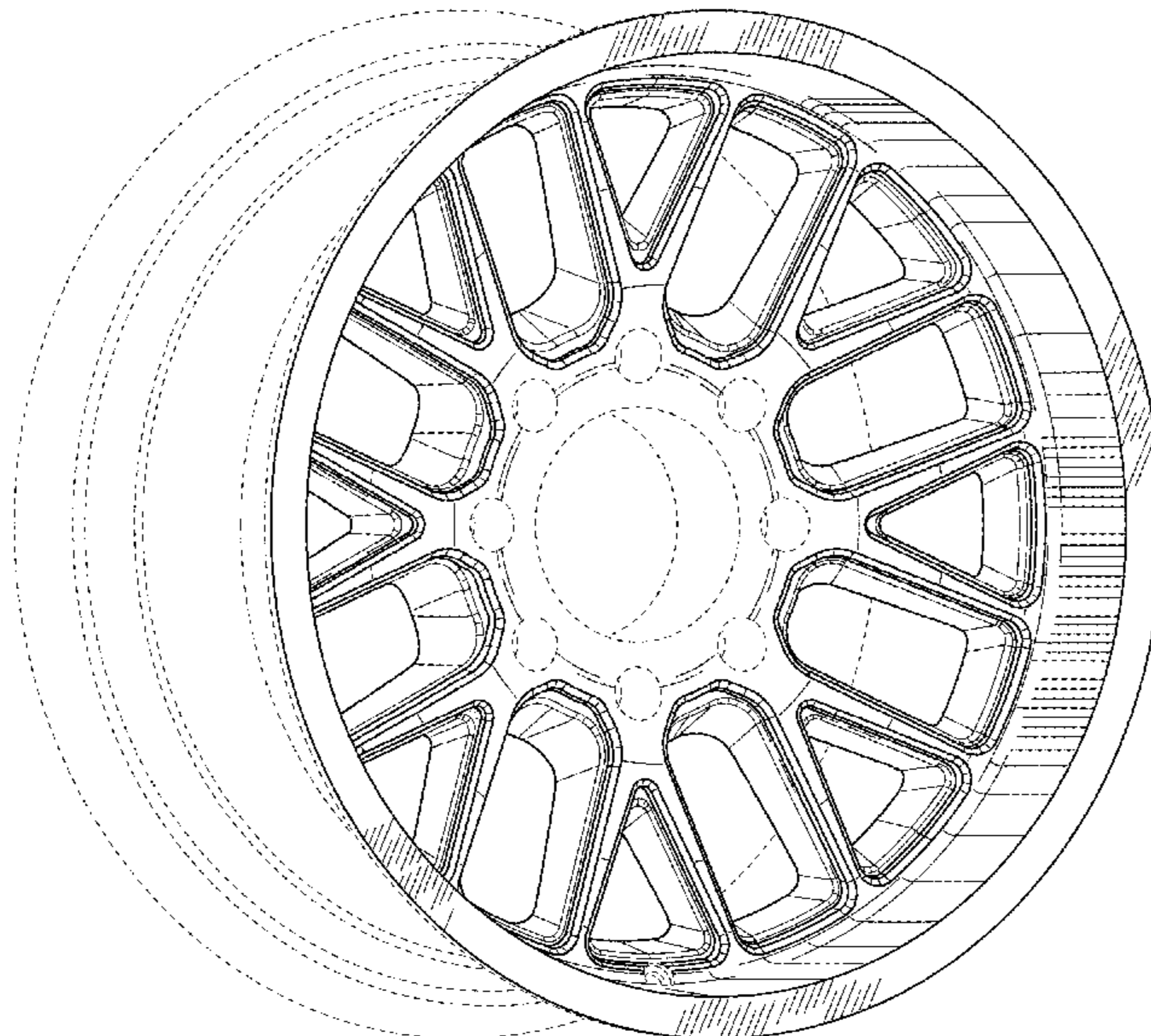
(57) **CLAIM**

The ornamental design for an automotive wheel, as shown and described.

DESCRIPTION

FIG. 1 is a perspective view of an automotive wheel, showing my new design; and, FIG. 2 is a front view thereof. In the drawings, the broken lines depict portions of the wheel that form no part of the claimed design.

1 Claim, 2 Drawing Sheets



(56)

References Cited

U.S. PATENT DOCUMENTS

D452,838 S	1/2002	Hieke	D709,020 S	7/2014	Chung
D453,914 S	2/2002	Dumigan	D713,311 S	9/2014	Yoon
D458,886 S	6/2002	Bhambra	D713,316 S	9/2014	Song et al.
D460,036 S	7/2002	Yajima	D714,206 S	9/2014	Starr, Jr.
D460,941 S	7/2002	Muzzarelli	D714,706 S	10/2014	Chung
D480,036 S	9/2003	Laengerer	D714,708 S	10/2014	Chung
D480,673 S	10/2003	Bhambra et al.	D719,496 S	12/2014	Johnson
D483,313 S	12/2003	Lenz	D719,889 S	12/2014	Hodges
D484,085 S	12/2003	Tirado	D721,318 S	1/2015	Kim
D485,523 S	1/2004	Takechi	D722,545 S	2/2015	Chung
D486,112 S	2/2004	Lecher	D722,939 S	2/2015	Chung
D487,419 S	3/2004	Kim	D725,020 S	3/2015	Kim
D491,866 S	6/2004	Warming	D726,624 S	4/2015	Chung
D492,927 S	7/2004	Fitzgerald	D726,630 S	4/2015	Kong
D495,985 S	9/2004	Lai	D727,829 S	4/2015	Chung
D497,339 S	10/2004	Heinrich	D730,259 S	5/2015	Aydin
D503,369 S	3/2005	Kato	D731,946 S	6/2015	Chung
D503,916 S	4/2005	Clarke	D733,025 S	6/2015	Chung
D505,373 S	5/2005	Pfeiffer	D733,026 S	6/2015	Chung
D515,996 S	2/2006	Baumgartner	D735,103 S	7/2015	Lemke
D519,902 S	5/2006	Pfeiffer	D736,137 S	8/2015	Chung
D528,060 S	9/2006	Laengerer	D738,279 S	9/2015	Dionisopoulos et al.
D530,657 S	10/2006	Pfeiffer	D741,241 S	10/2015	Hale, Jr.
D531,104 S	10/2006	Kim	D741,243 S	10/2015	Zhao
D534,851 S	1/2007	Kim	D742,293 S	11/2015	Chung
D535,240 S	1/2007	Chang	D742,799 S	11/2015	Zhao
D538,728 S	3/2007	Pfeiffer	D744,932 S	12/2015	Kobayashi
D539,205 S	3/2007	Hosoi	D749,030 S	2/2016	Zhao
D540,733 S	4/2007	Castiglione	D751,022 S	3/2016	Chung
D542,209 S	5/2007	Pfeiffer	D751,481 S	3/2016	Chung
D542,211 S	5/2007	Hieke	D751,482 S	3/2016	Caswell et al.
D542,212 S	5/2007	Simpson	D751,489 S	3/2016	Chung
D547,251 S	7/2007	Baum	D751,966 S	3/2016	Zhao
D548,165 S	8/2007	Young	D753,041 S	4/2016	Kim
D550,599 S	9/2007	Celik	D754,048 S	4/2016	Starr, Jr.
D576,093 S	9/2008	Chung	D758,278 S	6/2016	Behmer et al.
D578,946 S	10/2008	Tirado	D758,279 S	6/2016	Platto et al.
D589,862 S	4/2009	Cappellotto	D759,562 S	6/2016	Wheel
D590,315 S	4/2009	Chung	D760,140 S	6/2016	Chung
D590,317 S	4/2009	Chung	D760,635 S	7/2016	Bildhaeuser
D593,473 S	6/2009	Fournier et al.	D761,178 S	7/2016	Johnson
D593,475 S	6/2009	Chung	D761,711 S	7/2016	Wolff et al.
D597,012 S	7/2009	Chung	D762,542 S	8/2016	Chinavare
D599,269 S	9/2009	Melbinger	D762,545 S	8/2016	Hodges
D603,778 S	11/2009	Chung	D763,163 S	8/2016	Chung
D613,662 S	4/2010	Corte	D764,373 S	8/2016	Valencia Pollex
D630,565 S	1/2011	Ebel et al.	D764,374 S	8/2016	Chung
D631,419 S	1/2011	Kim	D764,375 S	8/2016	Chung
D638,762 S	5/2011	Hilpert	D769,785 S	10/2016	Wells
D638,767 S	5/2011	Groom	D772,132 S	* 11/2016	Kong D12/211
D639,220 S	6/2011	Zhao	D778,222 S	2/2017	Chung
D641,302 S	7/2011	Ettensberger	D780,086 S	2/2017	Galante et al.
D644,154 S	8/2011	Antoniadis et al.	D781,203 S	3/2017	Chung
D644,158 S	8/2011	Nissl	D781,767 S	3/2017	Peat
D651,959 S	1/2012	Groom	D782,387 S	3/2017	Chung
D654,007 S	2/2012	Nissl	D783,488 S	4/2017	Platto et al.
D666,960 S	9/2012	Chung	D783,498 S	4/2017	Platto et al.
D669,412 S	10/2012	Le Grice et al.	D787,407 S	5/2017	Chung
D670,222 S	11/2012	Chung	D788,677 S	6/2017	Lickliter
D670,223 S	11/2012	Chung	D792,827 S	7/2017	Chung
D671,061 S	11/2012	Dilber et al.	D796,411 S	9/2017	Chung
D671,483 S	11/2012	Chung	D797,027 S	9/2017	Guo
D675,972 S	2/2013	Lee	D797,029 S	9/2017	Chung
D682,765 S	5/2013	Alfonso	D798,211 S	9/2017	Chung
D701,480 S	3/2014	Kong	D798,212 S	9/2017	Chung
D702,172 S	4/2014	Chung	D801,903 S	11/2017	Chung
D702,174 S	4/2014	Gordon	D810,645 S	2/2018	Sklyut et al.
D703,601 S	4/2014	Chung	D810,648 S	2/2018	Chung
D704,118 S	5/2014	Chung	D811,980 S	3/2018	Chung
D704,121 S	5/2014	Chung	D812,541 S	3/2018	Chung
D704,616 S	5/2014	Chung	D817,245 S	5/2018	Chung
D704,617 S	5/2014	Chung	D817,840 S	5/2018	Chung
D706,198 S	6/2014	Chung	D823,222 S	7/2018	Chung
D706,199 S	6/2014	Chung	D824,317 S	7/2018	Harriton et al.
D707,167 S	6/2014	Chung	D825,423 S	* 8/2018	Henderson D12/209
			D828,798 S	9/2018	Chung
			D830,265 S	10/2018	Chung
			D833,363 S	11/2018	Chung
			D836,522 S	12/2018	Prasad et al.

(56)

References Cited

OTHER PUBLICATIONS

U.S. PATENT DOCUMENTS

D840,892	S	2/2019	Chung	
D840,895	S	* 2/2019	Luo	D12/209
D840,899	S	2/2019	Chung	
D842,185	S	3/2019	Chung	
D843,295	S	3/2019	Ash et al.	
D845,863	S	4/2019	Chung	
D847,720	S	5/2019	Chung	
D847,721	S	5/2019	Chung	
D853,932	S	7/2019	Chung	
D864,828	S	10/2019	Chung	
D870,627	S	* 12/2019	Lu	D12/209
D908,066	S	* 1/2021	Mukti	D12/209
D914,573	S	3/2021	Kirst	
D926,100	S	7/2021	Lee	
D928,059	S	8/2021	Han	
D930,546	S	9/2021	Han	
D937,737	S	12/2021	Han	
D940,040	S	* 1/2022	Han	D12/209
D942,355	S	2/2022	Han	
D943,482	S	2/2022	Chung	
D943,483	S	2/2022	Chung	
D944,174	S	2/2022	Swerdloff	
D963,545	S	* 9/2022	Johnson	D12/211
D968,301	S	* 11/2022	Podlovits	D12/209
D968,303	S	* 11/2022	Podlovits	D12/209
D972,481	S	12/2022	Han	
D972,482	S	12/2022	Han	
2013/0340908	A1	12/2013	Wirth et al.	
2017/0144478	A1*	5/2017	Baiz	B60B 7/14
2018/0319209	A1	11/2018	Chung	

FOREIGN PATENT DOCUMENTS

CN	307278048	* 4/2022
CN	307622913	* 10/2022
CN	307669881	11/2022
CN	307835140	2/2023

Black Rhino Delta Gloss Black Painted, available in TireRack.com, announced Year 2022 [online], [site visited Dec. 1, 2022], Internet URL: <https://www.tirerack.com/wheels/black-rhino-delta-gloss-black-painted>.*

BBS CH-R Black w/Red Lip, available in TireRack.com, announced Year 2018 [online], [site visited Dec. 1, 2022], Internet URL: <https://www.tirerack.com/wheels/bbs-ch-r-black-w-red-lip>.*

<https://www.amazon.com/Worx-Rebel-Gloss-Milled-809-8904BM/dp/B01AR7PN3Y/>—Available as early as Jan. 14, 2016.

http://www.wayneswheels.net/WORX_WHEELS.html—Published Aug. 6, 2016.

American Racing AR944 Gloss Black Painted, available in Tire Rack.com, announced Year 2022 [online], [site visited Feb. 15, 2023], Internet URL: <https://www.tirerack.com/wheels/american-racing-ar944-gloss-black-painted>.

KMC KM724 Impact OL Satin Black Painted, available in TireRack.com, announced Year 2023 [online], [site visited Feb. 15, 2023], Internet URL: <https://www.tirerack.com/wheels/kmc-km724-impact-ol-satin-black-painted>.

Moto Metal MO985 Breakout Chrome Plated, available in TireRack.com, announced Year 2022 [online], [site visited Feb. 15, 2023], Internet URL: <https://www.tirerack.com/wheels/moto-metal-mo985-breakout-chrome-plated>.

Sema Preview, ATD 2012 Wheel Lineup, 2012, pp. 6, 10, American Tire Distributors, published Nov. 2011.

“Worx 809 Rebel Gloss Black Milled 18x9 5x4.5 / 5x5 12mm (809-8904BM+12)” [online]. Worx. [Available as early as Jan. 14, 2016]. Retrieved from the Internet: <https://www.amazon.com/Worx-Rebel-Gloss-Milled-809-8904BM/dp/B01AR7PN3Y>.

* cited by examiner

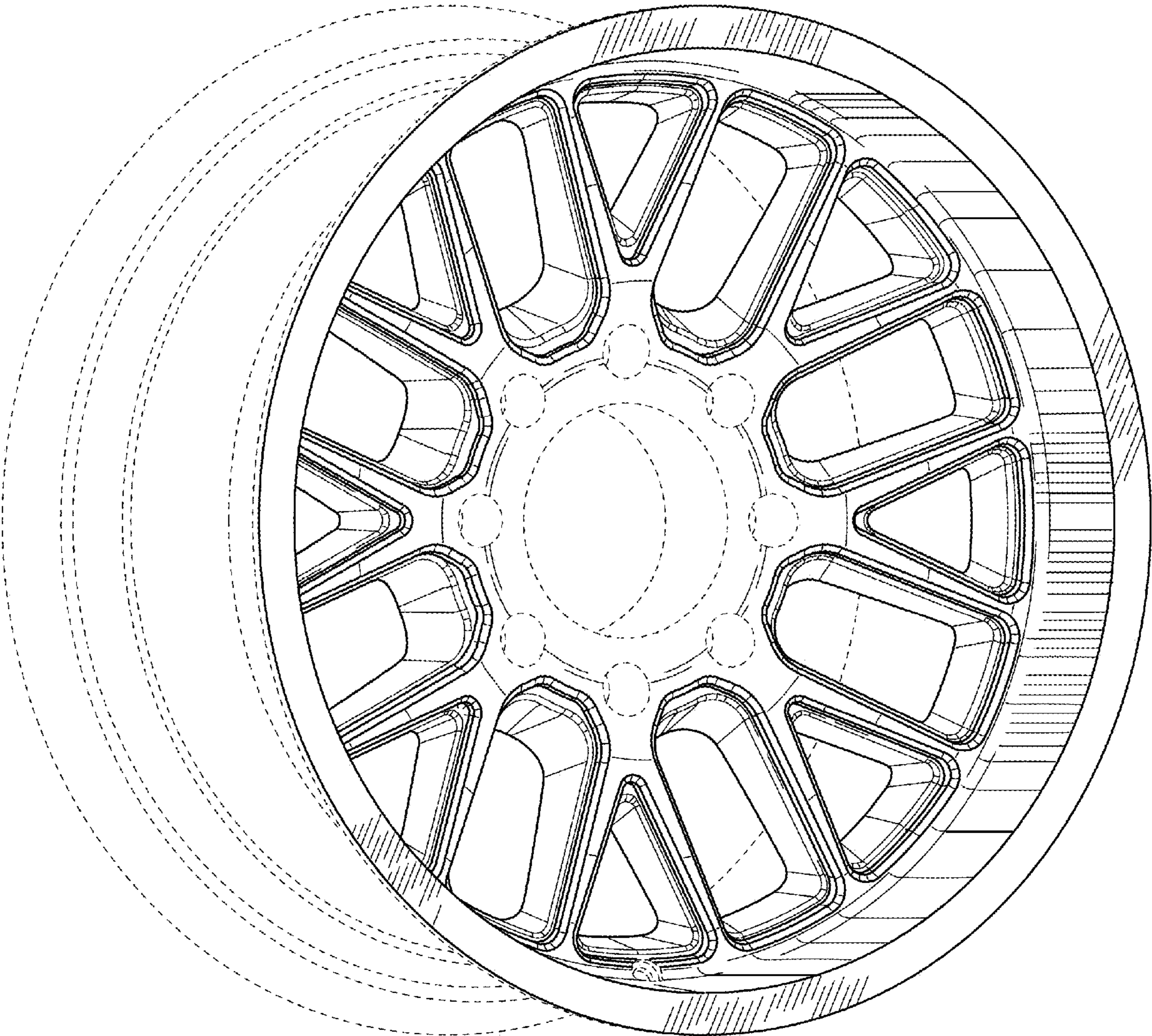


FIGURE 1

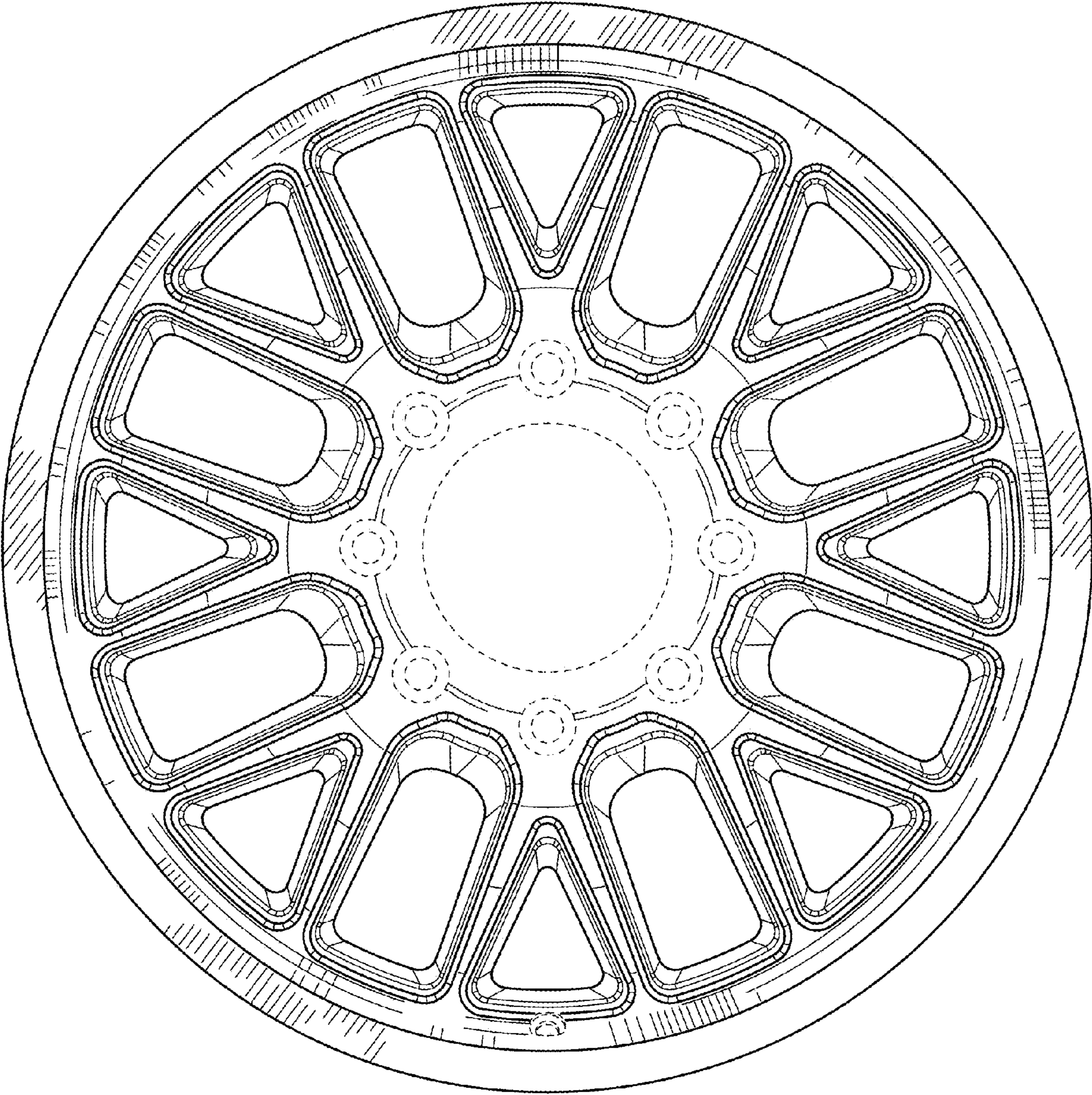


FIGURE 2