



US00D997785S

(12) **United States Design Patent** (10) **Patent No.:** **US D997,785 S**
Nett et al. (45) **Date of Patent:** **** Sep. 5, 2023**

(54) **VEHICLE**

(71) Applicant: **United States Postal Service,**
Washington, DC (US)

(72) Inventors: **Daniel Nett,** Oshkosh, WI (US); **Jesse Gander,** Oshkosh, WI (US); **Thomas Quigley,** Oshkosh, WI (US); **David C. McGraw,** Oshkosh, WI (US); **Benjamin Andrews,** Oshkosh, WI (US); **Robert W. Holliday,** Oshkosh, WI (US); **Andrew Drach,** Oshkosh, WI (US)

(73) Assignee: **United States Postal Service,**
Washington, DC (US)

(**) Term: **15 Years**

(21) Appl. No.: **29/770,991**

(22) Filed: **Feb. 18, 2021**

(51) **LOC (14) Cl.** **12-08**

(52) **U.S. Cl.**
USPC **D12/93**

(58) **Field of Classification Search**
USPC D12/86, 90-92, 93, 163, 164, 166, 167,
D12/169, 171, 196, 216; D3/318
(Continued)

(56) **References Cited**

U.S. PATENT DOCUMENTS

6,149,290 A 11/2000 Quigley
6,520,494 B1 2/2003 Andersen et al.
(Continued)

FOREIGN PATENT DOCUMENTS

WO D094416-029 * 2/2017
WO D093190-001 * 3/2017
WO D092114-016 * 2/2018

OTHER PUBLICATIONS

U.S. Postal Service Finally Cuts a Check for Its Controversial New Mail Truck, available in MotorTrend.com, announced Year 2022

[online], [site visited Apr. 5, 2023], Internet URL: <https://www.motortrend.com/news/usps-ngdv-postal-service-mail-truck-oshkosh-defense-order/>.*

(Continued)

Primary Examiner — Darlington Ly
Assistant Examiner — D. Ryan Tisdale
(74) *Attorney, Agent, or Firm* — Knobbe Martens Olson & Bear LLP

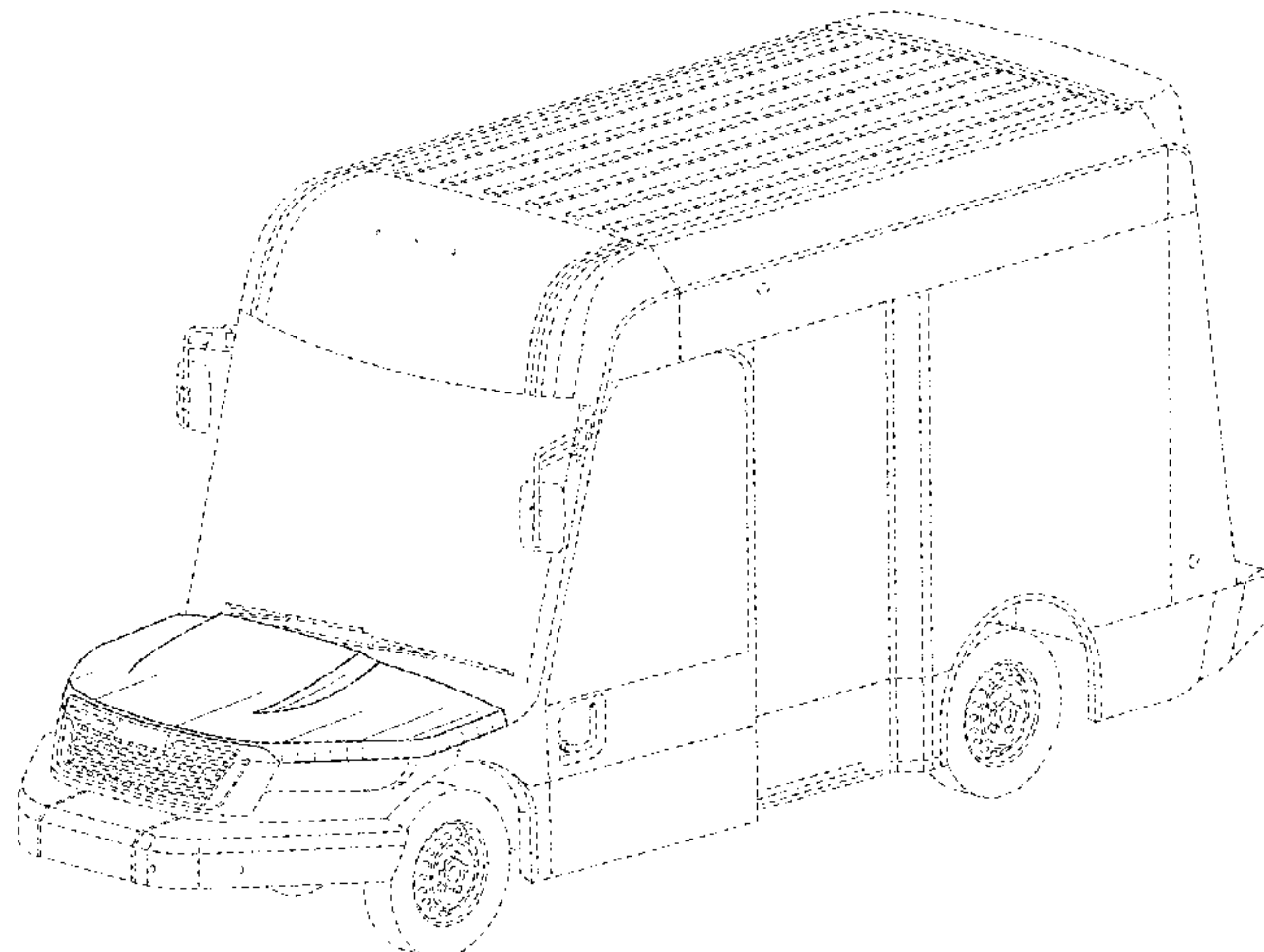
(57) **CLAIM**

We claim the ornamental design for a vehicle, as shown and described.

DESCRIPTION

FIG. 1 is a front, left perspective view of an embodiment of the claimed design;
FIG. 2 is a rear, right perspective view thereof;
FIG. 3 is a front view thereof;
FIG. 4 is a rear view thereof;
FIG. 5 is a right view thereof;
FIG. 6 is a left view thereof;
FIG. 7 is a top view thereof;
FIG. 8 is a bottom view thereof;
FIG. 9 is a front, left perspective view of an embodiment of the claimed design;
FIG. 10 is a rear, right perspective view thereof;
FIG. 11 is a front view thereof;
FIG. 12 is a rear view thereof;
FIG. 13 is a right view thereof;
FIG. 14 is a left view thereof;
FIG. 15 is a top view thereof; and,
FIG. 16 is a bottom view thereof.
The ornamental design that is claimed is shown in solid lines in the figures. Broken lines, of equal length dashes, in the drawings illustrate portions of the vehicle that form no part of the claimed design. Broken lines, of unequal length, show boundaries between the environment and the claimed design.

1 Claim, 14 Drawing Sheets



- (58) **Field of Classification Search**
 CPC B60R 19/02; B60R 19/03; B60R 19/04;
 B62D 25/00; B62D 25/02; B62D 25/08;
 B62D 25/12; B62D 24/02; B62D
 33/0237; B62D 33/03; B62D 33/037;
 B62D 33/023; B60J 5/10; B60J
 5/101–103; B60J 5/107
 See application file for complete search history.

(56) **References Cited**

U.S. PATENT DOCUMENTS

6,779,806	B1	8/2004	Breitbach et al.	
6,918,481	B2	7/2005	Quigley et al.	
6,938,749	B1	9/2005	Quigley et al.	
7,073,620	B2	7/2006	Braun et al.	
7,258,194	B2	8/2007	Braun et al.	
7,472,914	B2	1/2009	Anderson et al.	
D604,671	S *	11/2009	Rupp	D12/93
7,792,618	B2	9/2010	Quigley et al.	
7,824,096	B2	11/2010	Lindblom et al.	
7,831,363	B2	11/2010	Quigley	
D678,822	S *	3/2013	Armigliato	D12/91
8,794,886	B1	8/2014	Nett et al.	
9,016,703	B2	4/2015	Rowe et al.	
9,045,014	B1	6/2015	Verhoff et al.	
9,174,686	B1	11/2015	Messina et al.	
9,655,640	B2	5/2017	Verhoff et al.	
9,707,869	B1	7/2017	Messina et al.	
9,764,613	B2	9/2017	Rowe et al.	
D824,297	S *	7/2018	Janssen	E05B 79/10 D12/164
D837,702	S	1/2019	Gander et al.	
D843,281	S	3/2019	Gander et al.	
D856,860	S	8/2019	Gander	
D860,887	S	9/2019	Gander et al.	
D863,144	S	10/2019	Gander	
D864,031	S	10/2019	Gander et al.	
10,434,995	B2	10/2019	Verhoff et al.	

D869,332	S	12/2019	Gander et al.	
D871,283	S	12/2019	Gander et al.	
D888,629	S	6/2020	Gander et al.	
D892,002	S	8/2020	Gander	
D898,632	S	10/2020	Gander	
D902,096	S	11/2020	Gander et al.	
D907,544	S	1/2021	Wall et al.	
D909,934	S	2/2021	Gander et al.	
D945,327	S *	3/2022	Willison	D12/99
D950,441	S *	5/2022	Jevremovic	D12/173
D950,442	S *	5/2022	Jie	D12/173
D953,948	S *	6/2022	Piaskowski	D12/173
D960,789	S *	8/2022	Ruiz	D12/173
D962,133	S *	8/2022	Forschner	D12/173
D965,701	S *	10/2022	Wood	D21/562
D970,401	S *	11/2022	Gander	D12/173
D971,788	S *	12/2022	Dos Santos	D12/93
D974,229	S *	1/2023	Nell	D12/14
D981,298	S *	3/2023	Ruiz	D21/434
2016/0273262	A1 *	9/2016	Maruyama	E05B 79/10
2017/0274849	A1 *	9/2017	Jordan	B60R 19/24
2019/0185077	A1	6/2019	Smith et al.	
2019/0351883	A1	11/2019	Verhoff et al.	
2020/0291846	A1	9/2020	Steffens et al.	
2022/0009563	A1 *	1/2022	Andrews	B60J 10/70

OTHER PUBLICATIONS

USPS Trucks: So Much for Looking Cool While You Deliver the Mail, available in CarAndDriver.com, announced Year 2021 [online], [site visited Apr. 5, 2023], Internet URL: <https://www.caranddriver.com/features/a35617691/the-new-usps-trucks-so-much-for-looking-cool-while-you-deliver-the-mail/>.*

The new electric USPS mail truck is America's most important electric vehicle, available in Vox.com, announced Year 2022 [online], [site visited Apr. 5, 2023], Internet URL: <https://www.vox.com/science-and-health/23518852/postal-service-electric-mail-truck-usps-ngdv-dejoy>.*

* cited by examiner

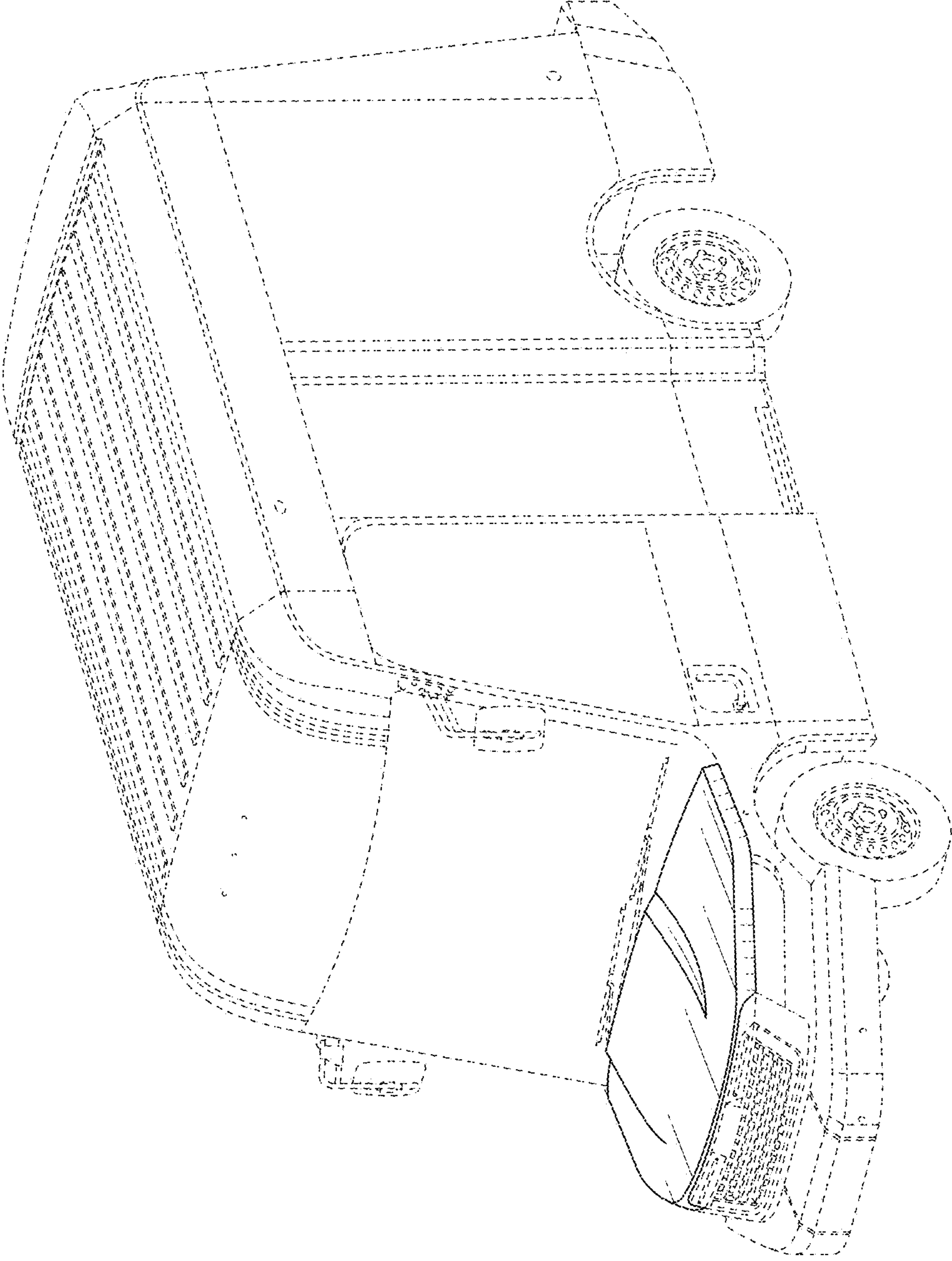


FIG. 1

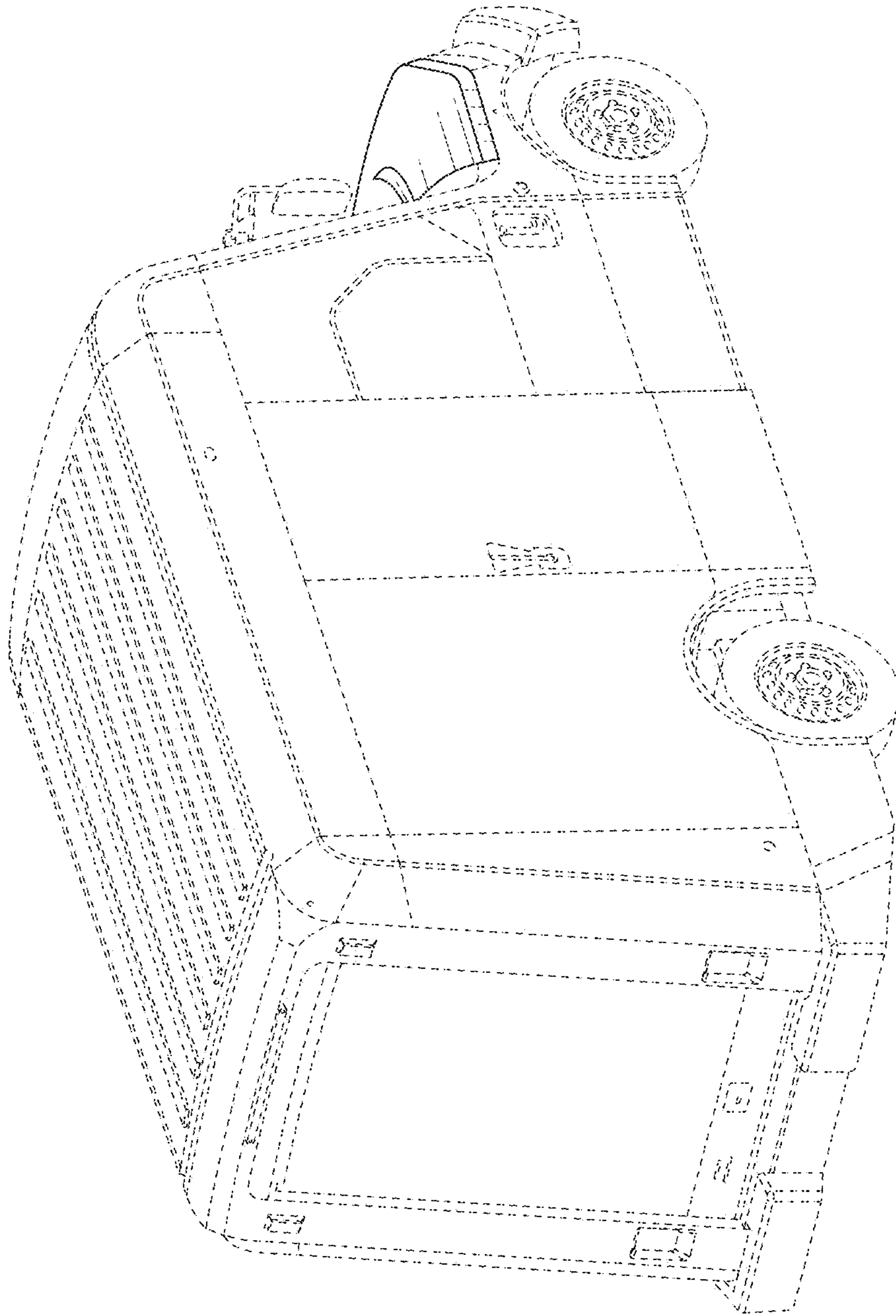


FIG. 2

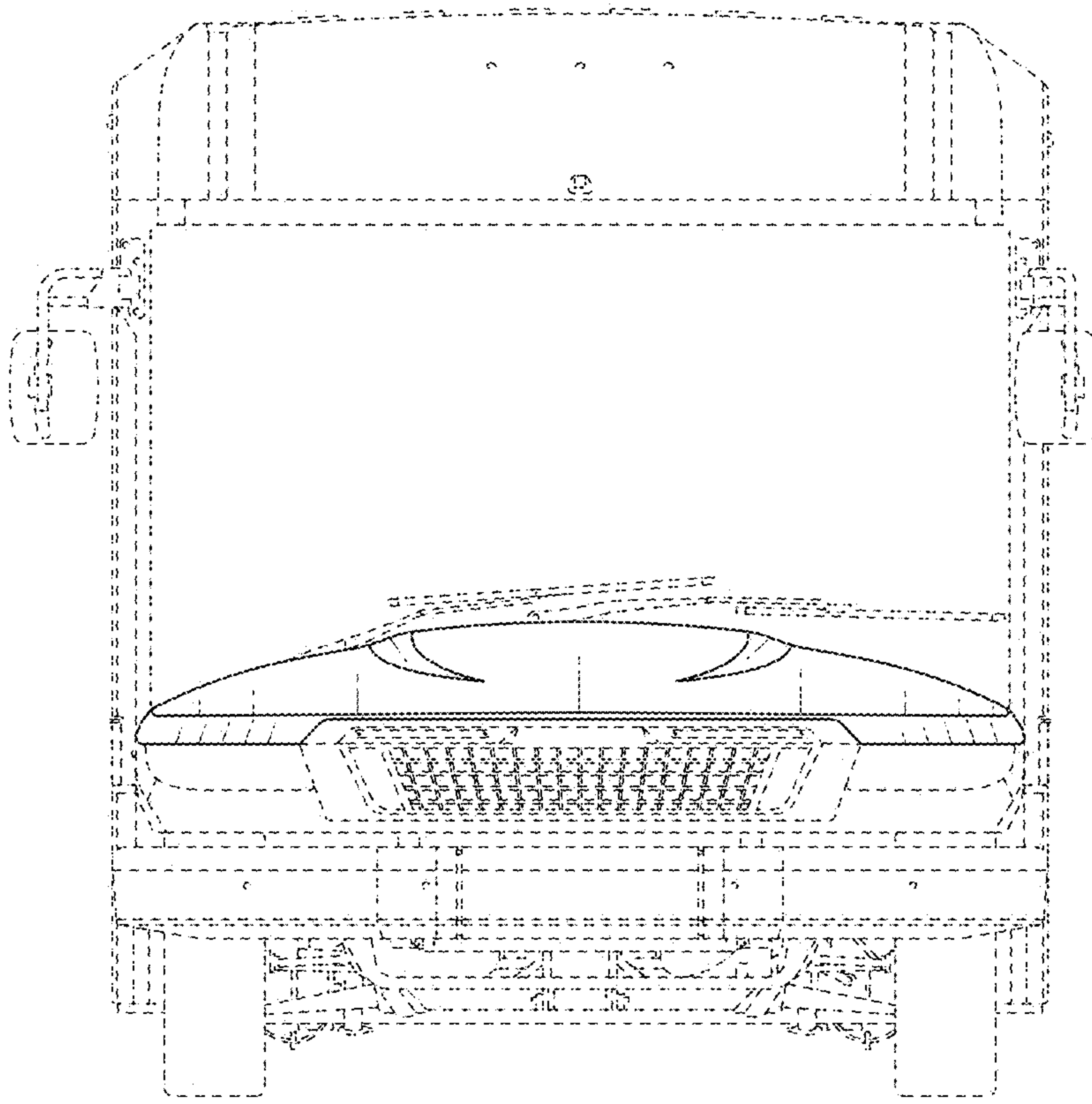


FIG. 3

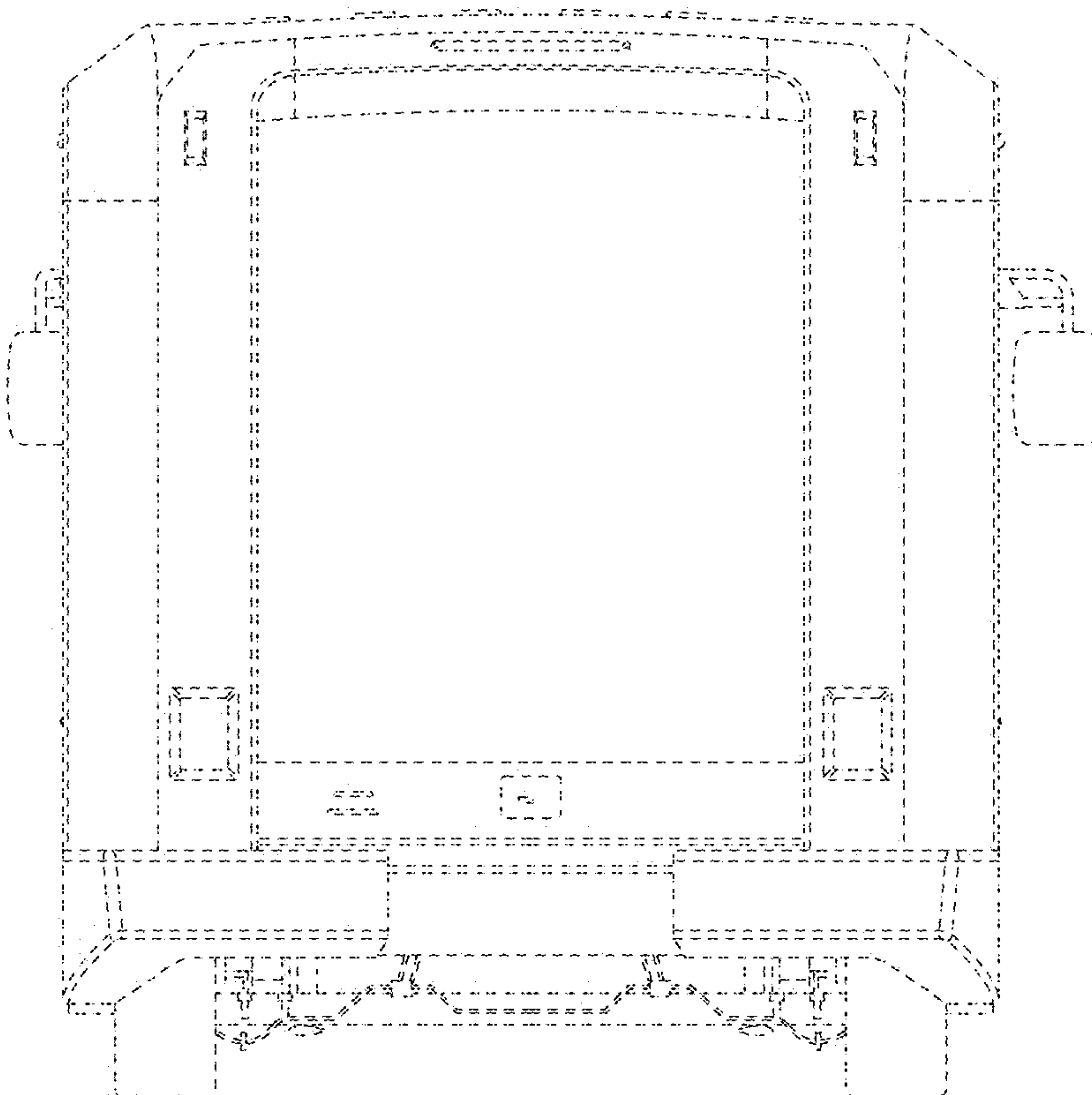


FIG. 4

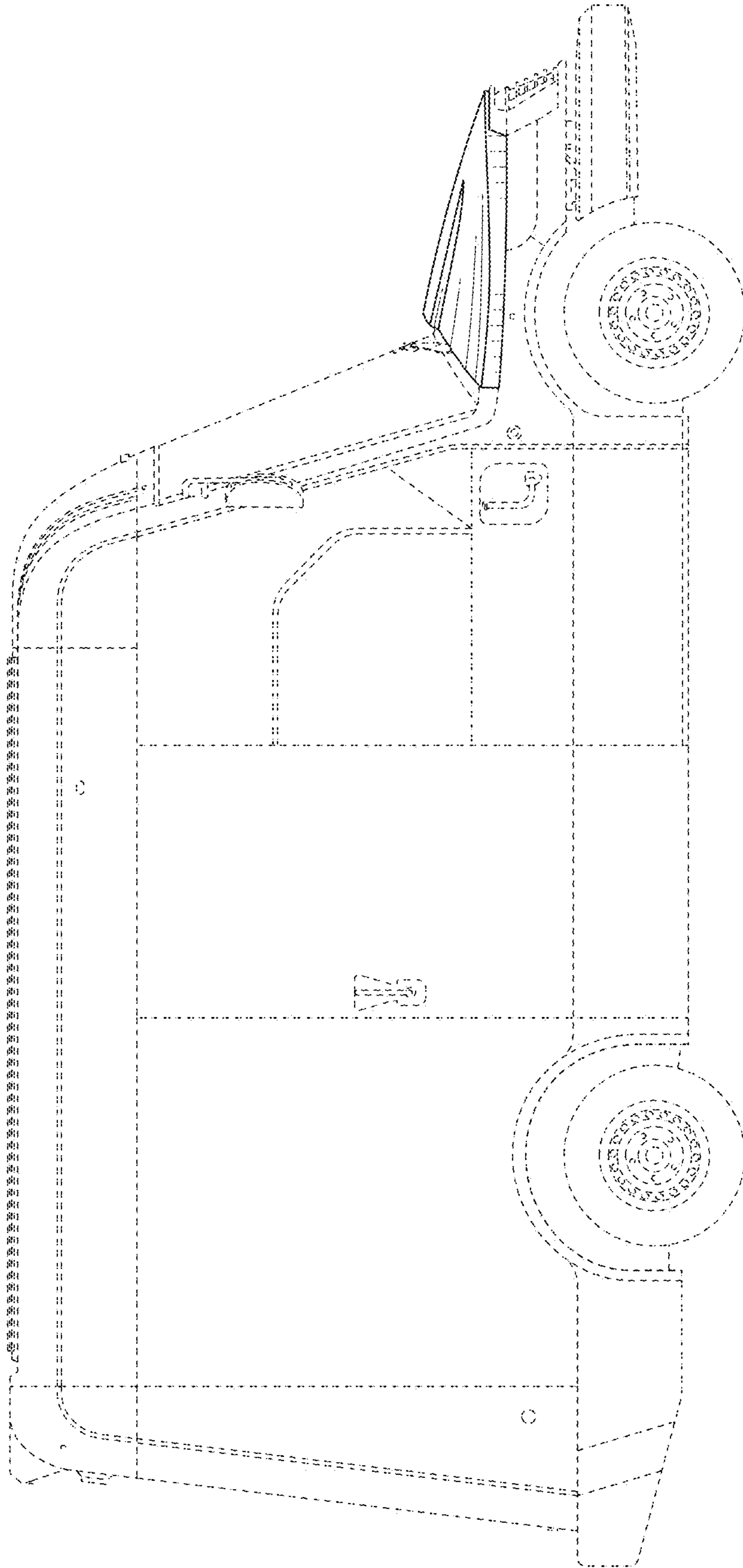


FIG. 5

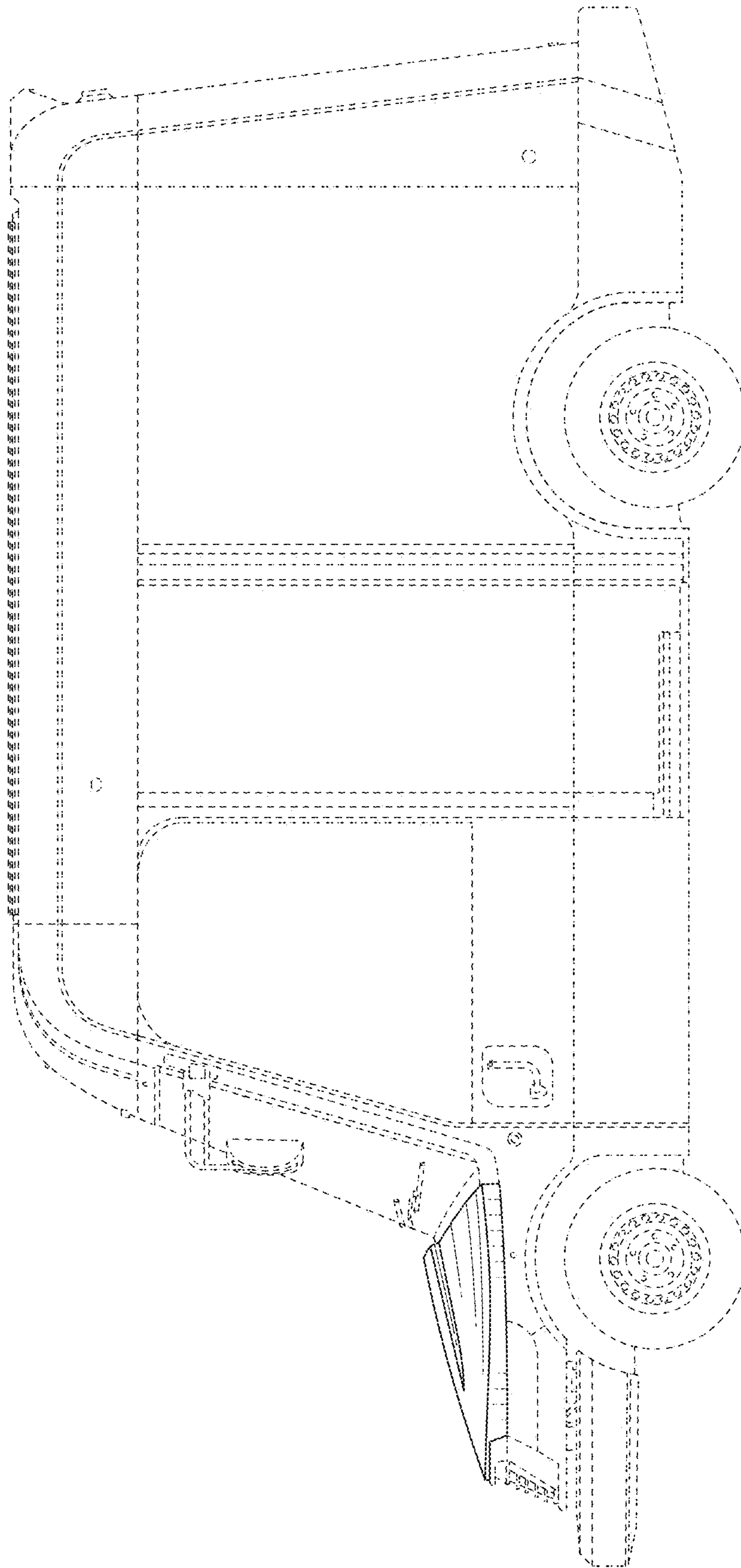


FIG. 6

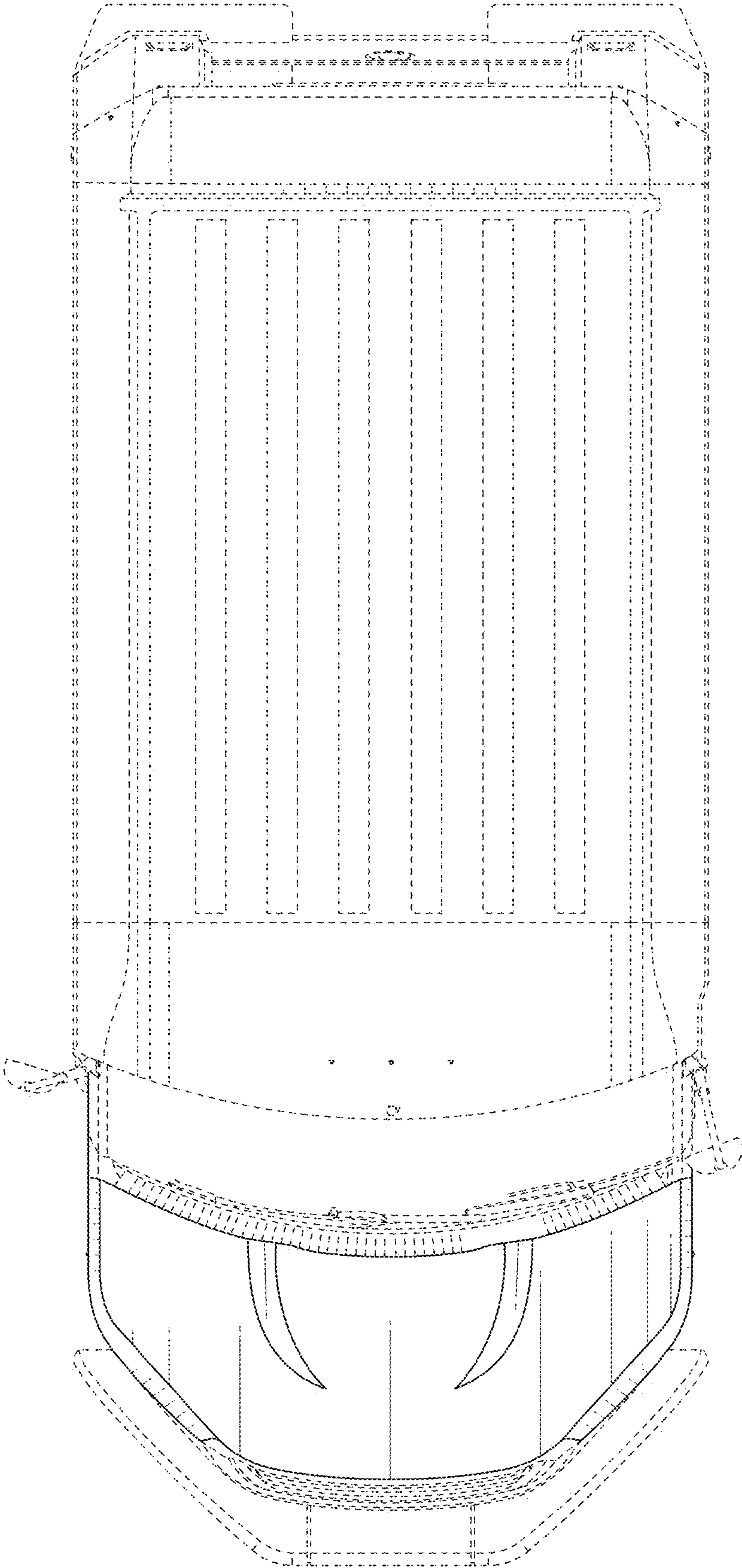


FIG. 7

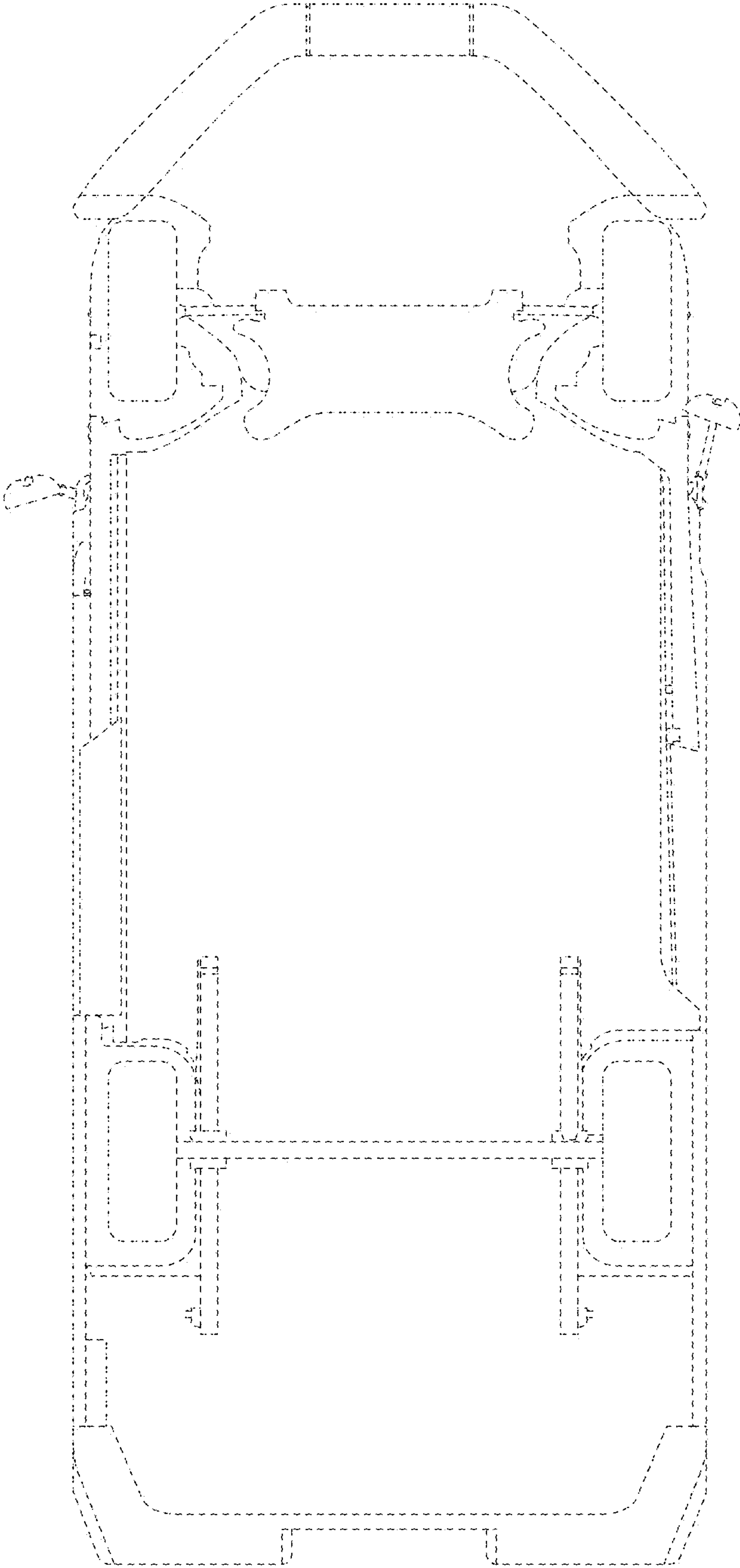


FIG. 8

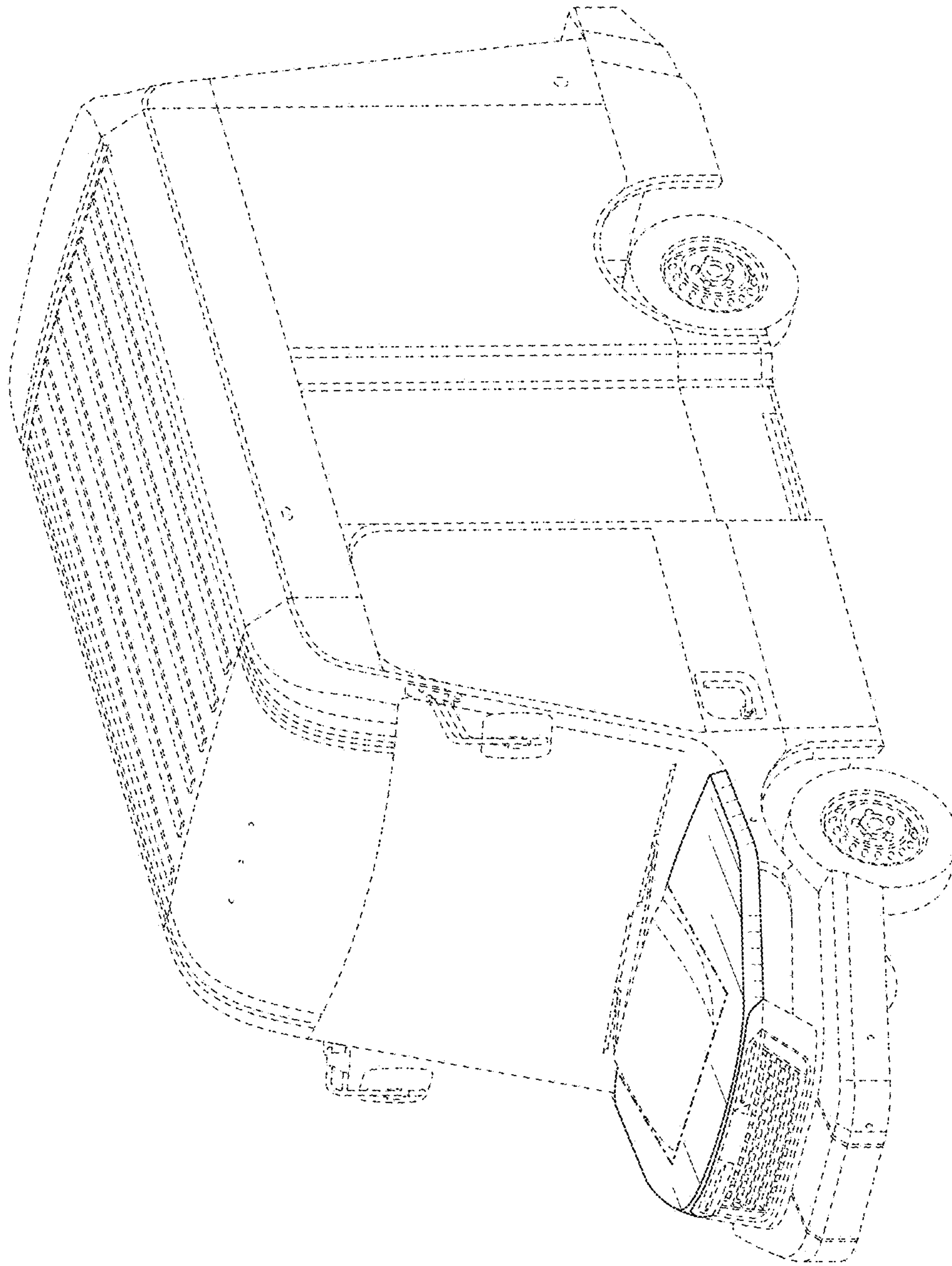


FIG. 9

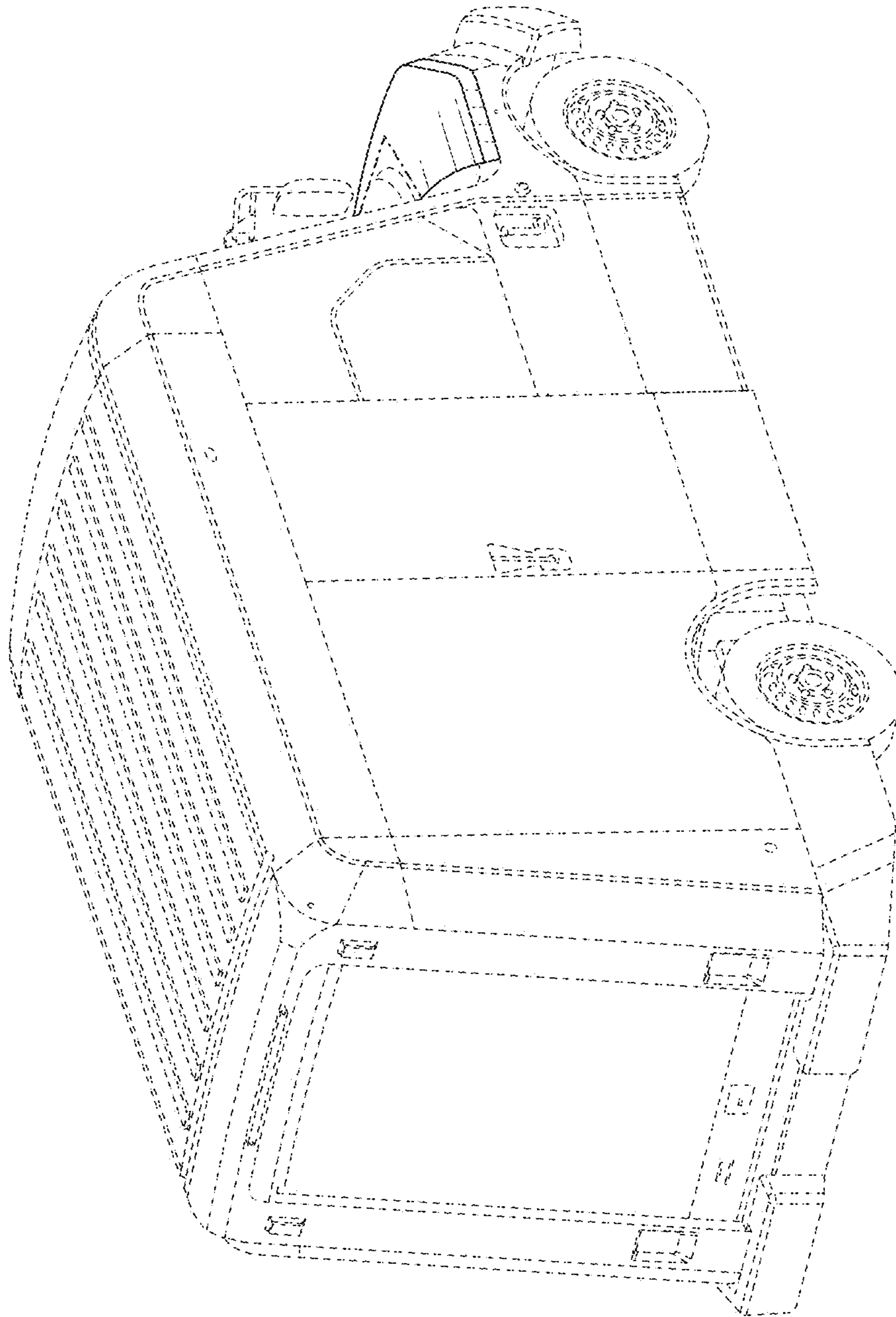


FIG. 10

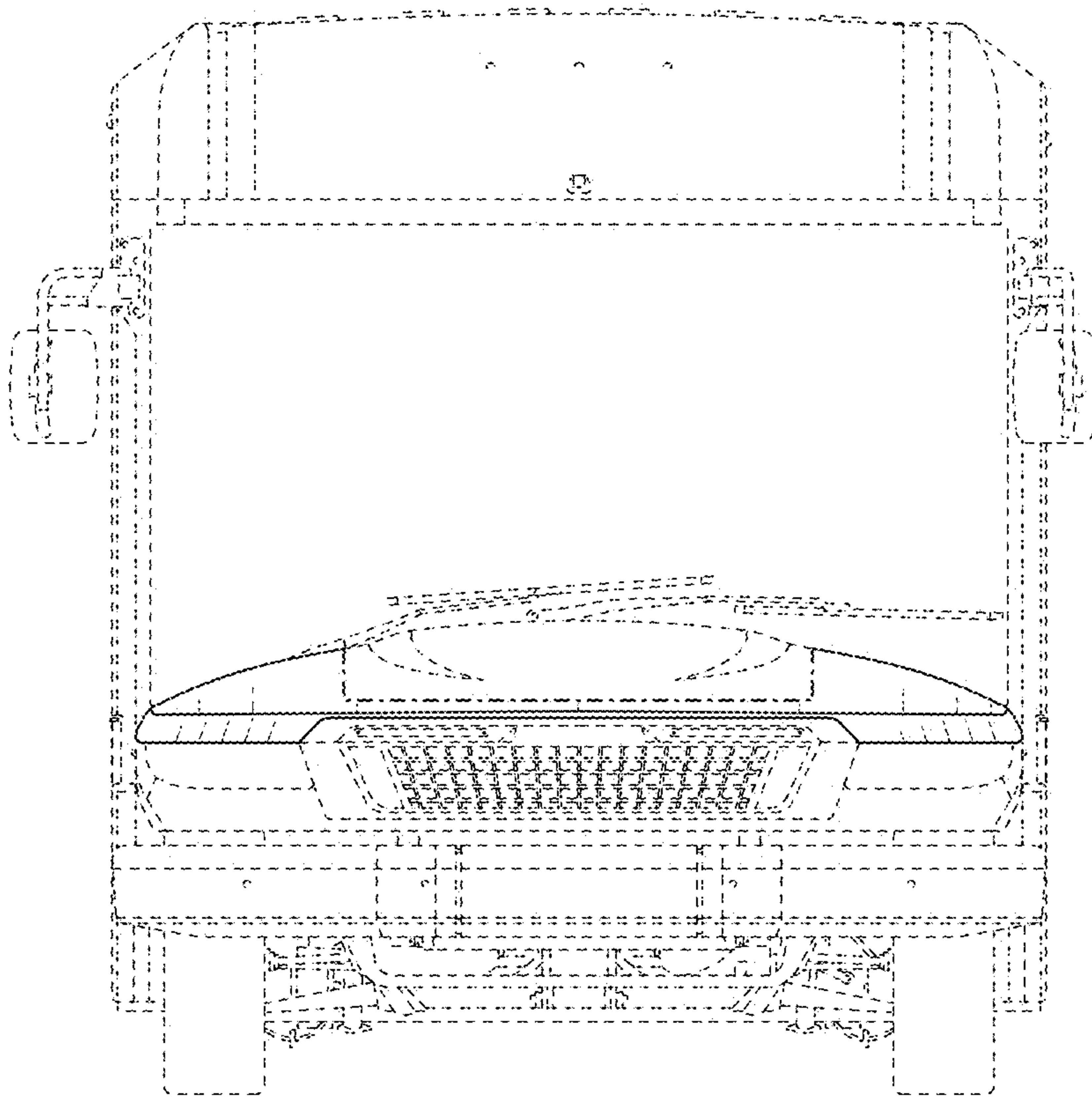


FIG. 11

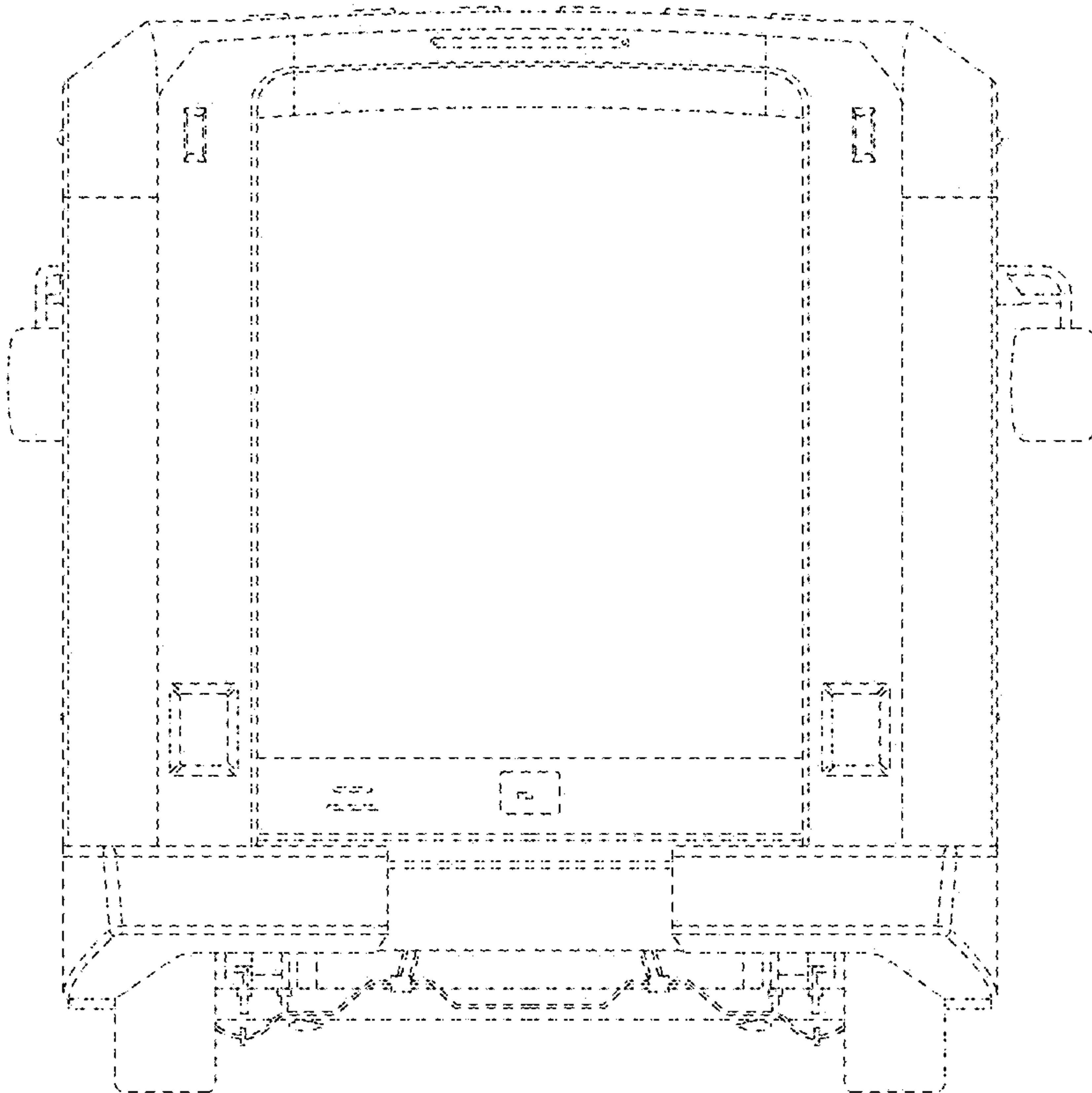


FIG. 12

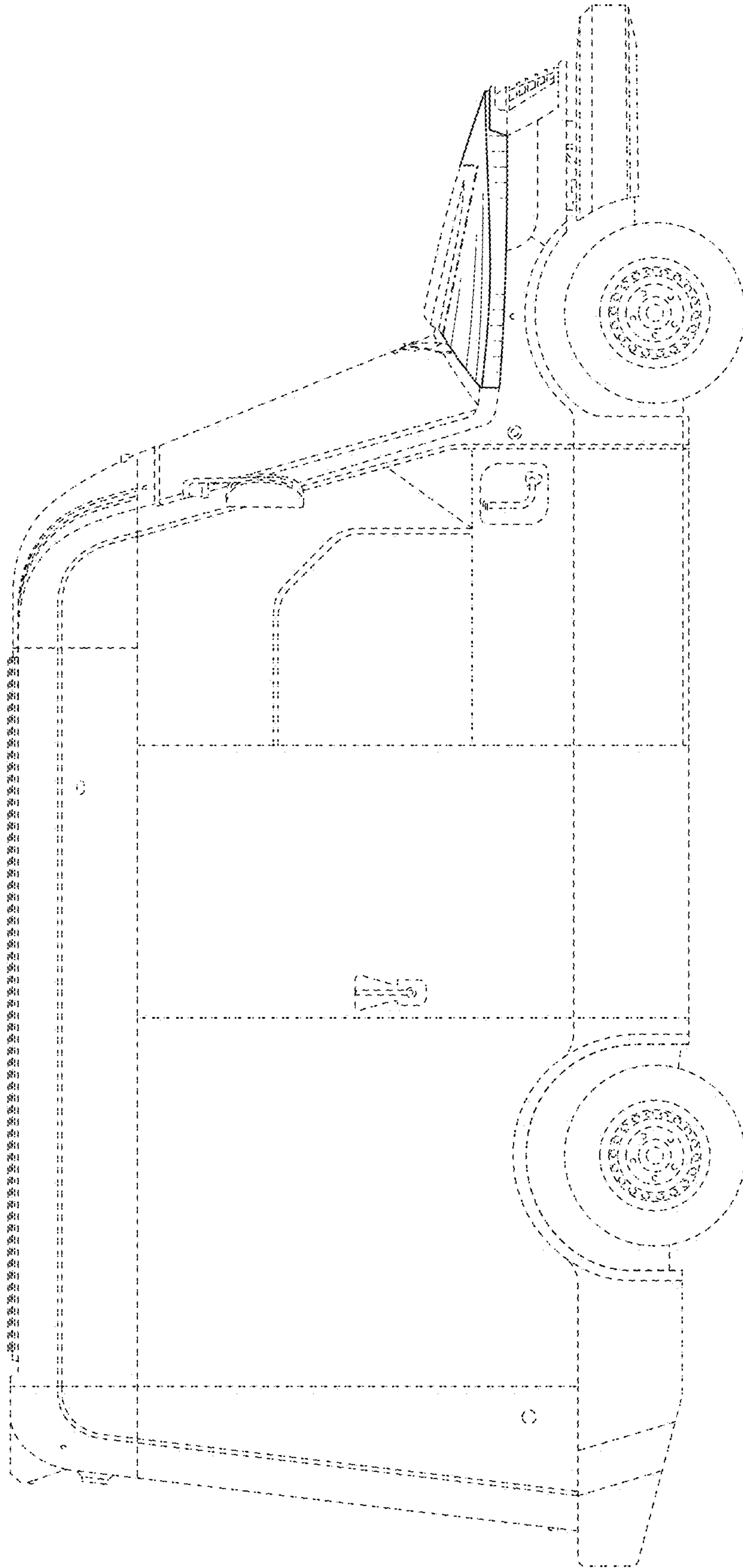


FIG. 13

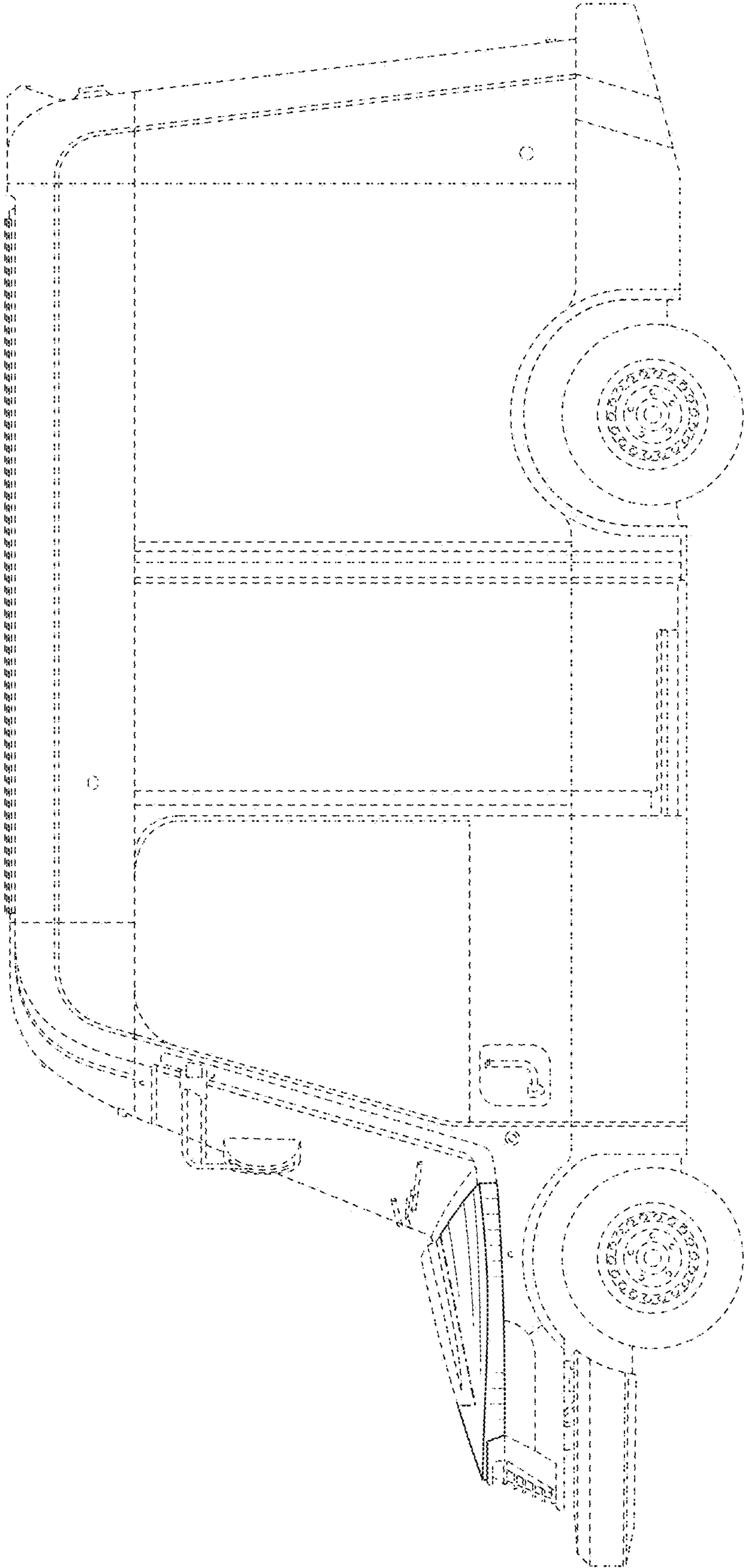


FIG. 14

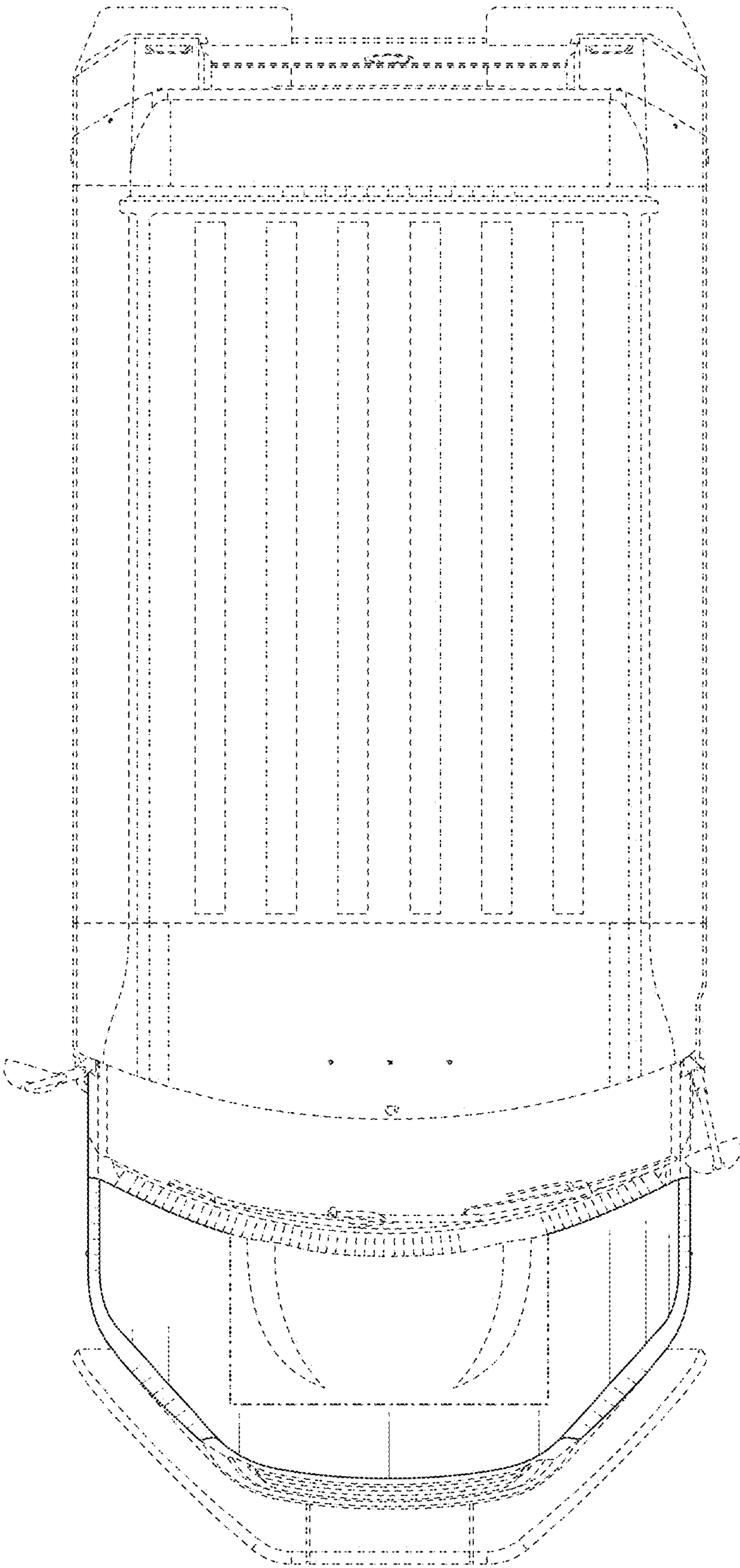


FIG. 15

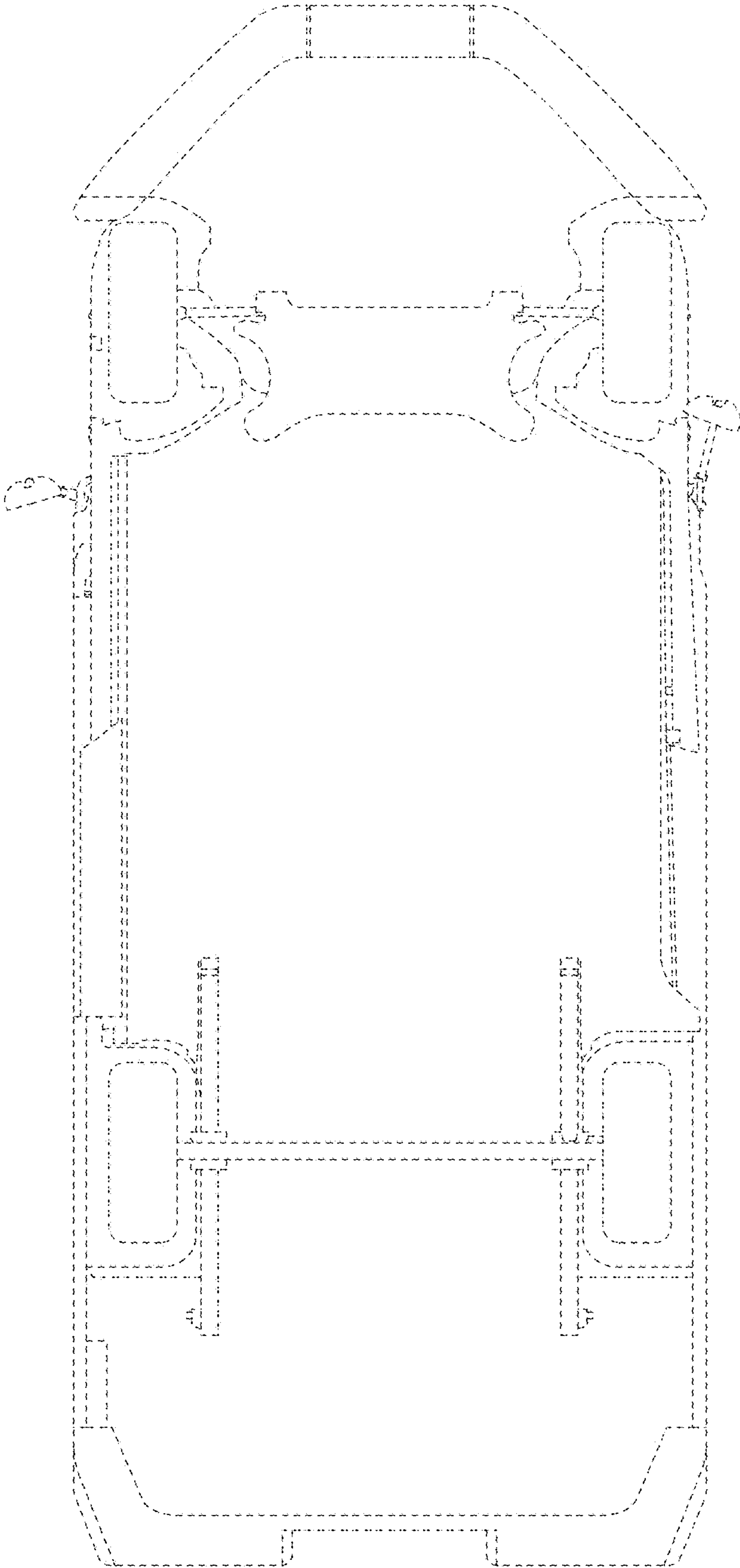


FIG. 16