



US00D997714S

(12) **United States Design Patent** (10) **Patent No.:** **US D997,714 S**  
**Williams** (45) **Date of Patent:** **\*\* Sep. 5, 2023**

(54) **PRAYER BOX**  
(71) Applicant: **Darrell Williams**, Canton, MS (US)  
(72) Inventor: **Darrell Williams**, Canton, MS (US)  
(\*\*) Term: **15 Years**  
(21) Appl. No.: **29/817,362**  
(22) Filed: **Nov. 30, 2021**  
(51) **LOC (14) Cl.** ..... **11-01**  
(52) **U.S. Cl.**  
USPC ..... **D99/25; D3/294**  
(58) **Field of Classification Search**  
USPC ..... D9/414, 420, 423, 424, 430, 432, 499,  
D9/737; D99/25, 27; D19/75; D3/201,  
D3/270, 271.1, 272, 273, 294  
CPC ..... B65D 43/16; B65D 81/36  
See application file for complete search history.

(56) **References Cited**

**U.S. PATENT DOCUMENTS**

D80,667 S \* 3/1930 Berger ..... D3/272  
2,023,465 A \* 12/1935 Crocker ..... A47B 61/006  
217/56  
D147,240 S \* 8/1947 Jones ..... D99/25  
3,085,839 A \* 4/1963 Gallagher ..... A47G 33/02  
428/3  
D218,678 S \* 9/1970 Current et al. .... D3/20  
D240,085 S \* 5/1976 Reisdorf ..... D9/423  
D333,614 S \* 3/1993 Miguel ..... D19/75  
5,678,289 A \* 10/1997 Saaf ..... A61G 17/04  
27/1  
D388,225 S \* 12/1997 Saaf ..... D99/12  
D445,556 S \* 7/2001 Brault ..... D99/5  
D467,731 S \* 12/2002 Pratt ..... D3/273  
D685,673 S \* 7/2013 Dorn ..... D11/122  
D907,994 S \* 1/2021 Chiang ..... D9/415  
D916,424 S \* 4/2021 Hoag ..... D99/27

2009/0165400 A1\* 7/2009 Booker ..... E04H 1/125  
52/750  
2020/0163481 A1\* 5/2020 Alcocer ..... A47G 33/02  
2021/0076860 A1\* 3/2021 Williams ..... A45C 11/00

**OTHER PUBLICATIONS**

JB&C Premium Small Cross Prayer Rosary Inspiration First Com-  
munion, available Nov. 4, 2022, [online], [site visited Jun. 13,  
2023]. Available from internet, URL: <https://a.co/d/dATRQbP> (Year:  
2022).\*

Psalm 23:3 Prayer Box, available Jun. 13, 2023, [online], [site  
visited Jun. 13, 2023]. Available from internet, URL: [https://www.  
etsy.com/au/listing/1147614016/psalm-233-prayer-box](https://www.etsy.com/au/listing/1147614016/psalm-233-prayer-box) (Year: 2023).\*

\* cited by examiner

*Primary Examiner* — W. A. Teddy Falloway

*Assistant Examiner* — Amanda Kay Birdwell

(74) *Attorney, Agent, or Firm* — Barry Choobin; Patent  
360

(57) **CLAIM**

The ornamental design for a prayer box, as shown and  
described.

**DESCRIPTION**

FIG. 1 is a perspective view of a prayer box, showing my  
new design;

FIG. 2 is a front view thereof;

FIG. 3 is a rear view thereof;

FIG. 4 is a top view thereof;

FIG. 5 is a bottom view thereof;

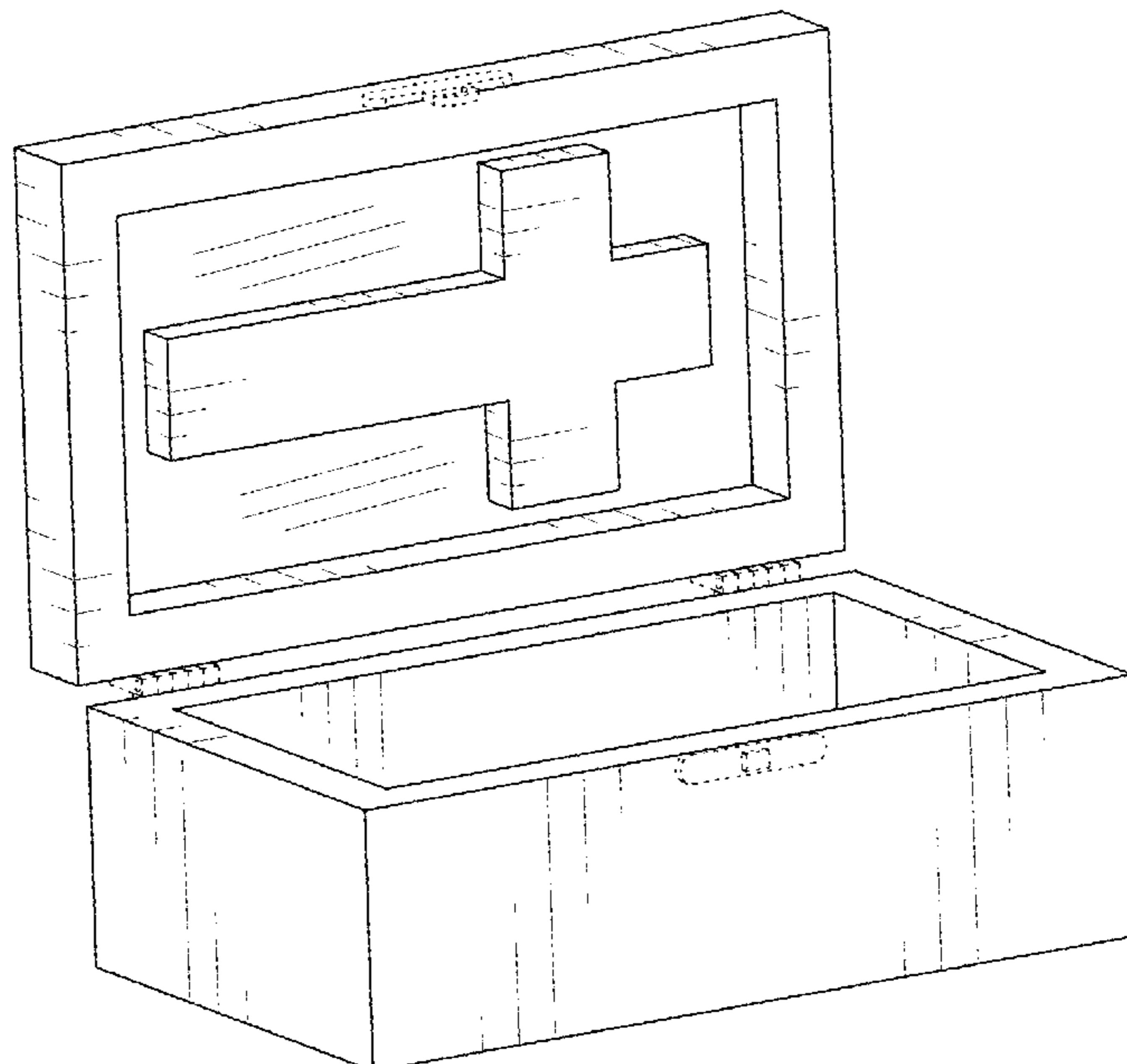
FIG. 6 is a right side view thereof;

FIG. 7 is a left side view thereof; and,

FIG. 8 is a cross-sectional view taken along the line 8-8 of  
FIG. 4.

The broken lines depict portions of the article that form no  
part of the claimed design.

**1 Claim, 5 Drawing Sheets**



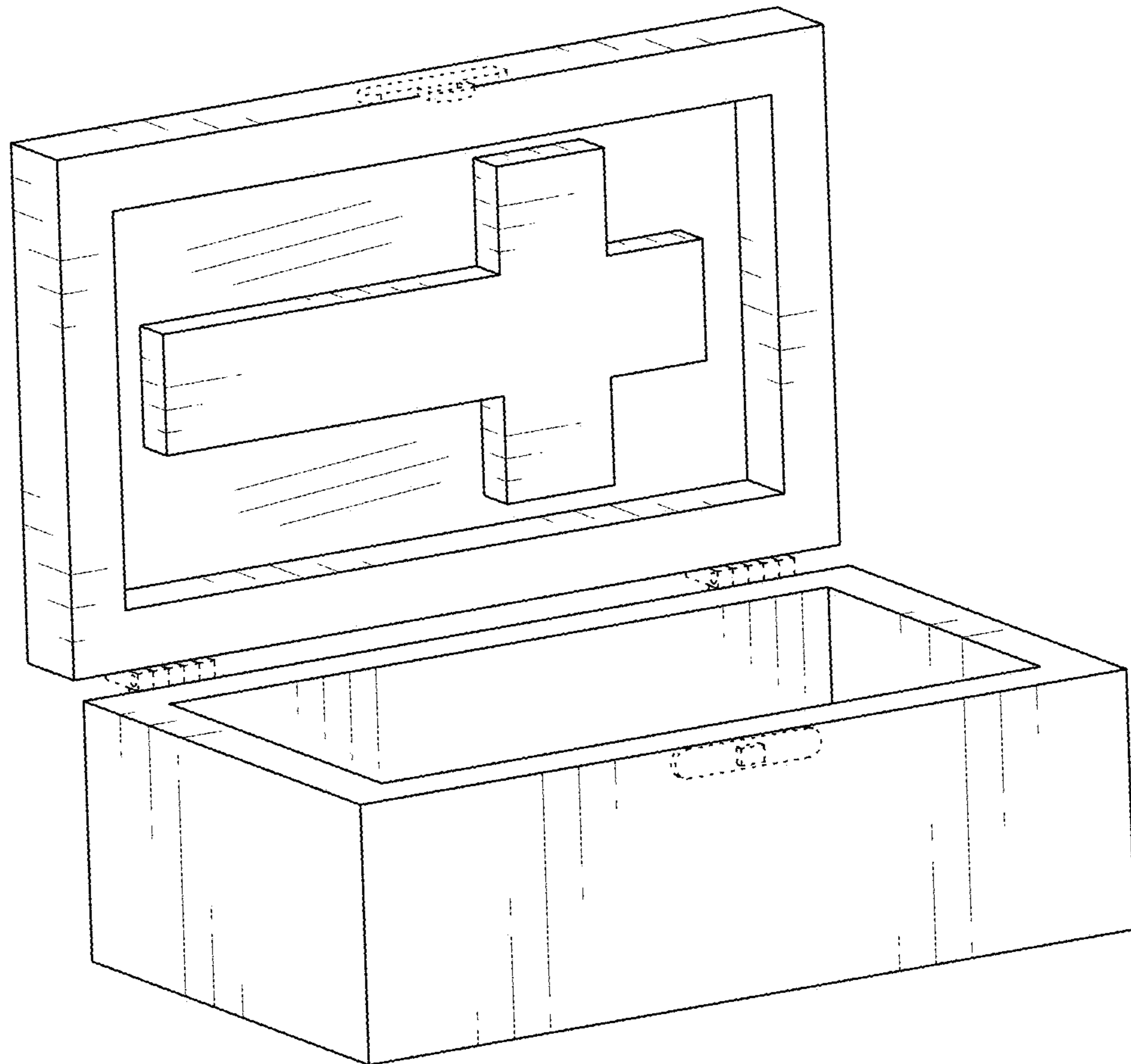


FIG. 1

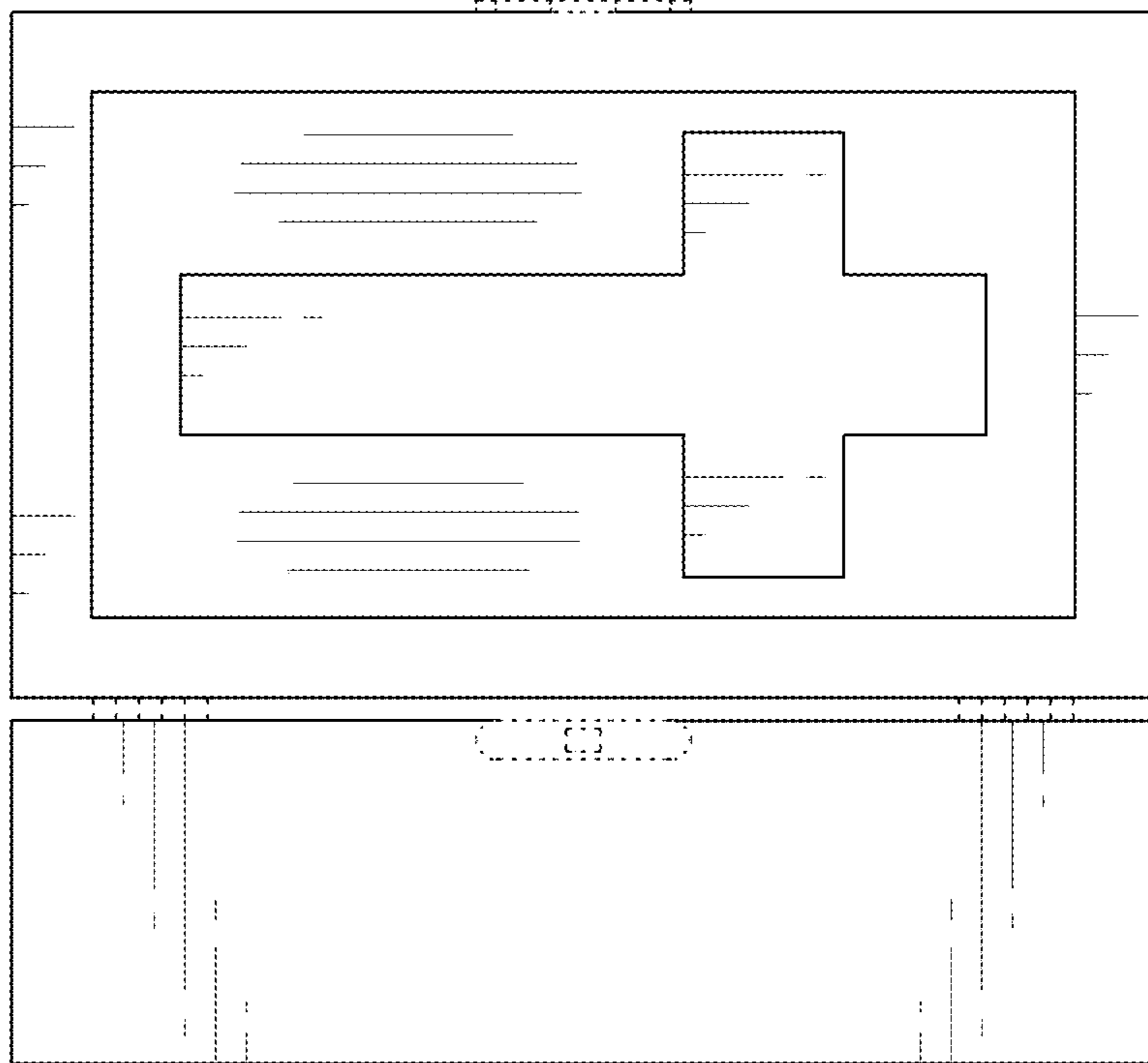


FIG. 2

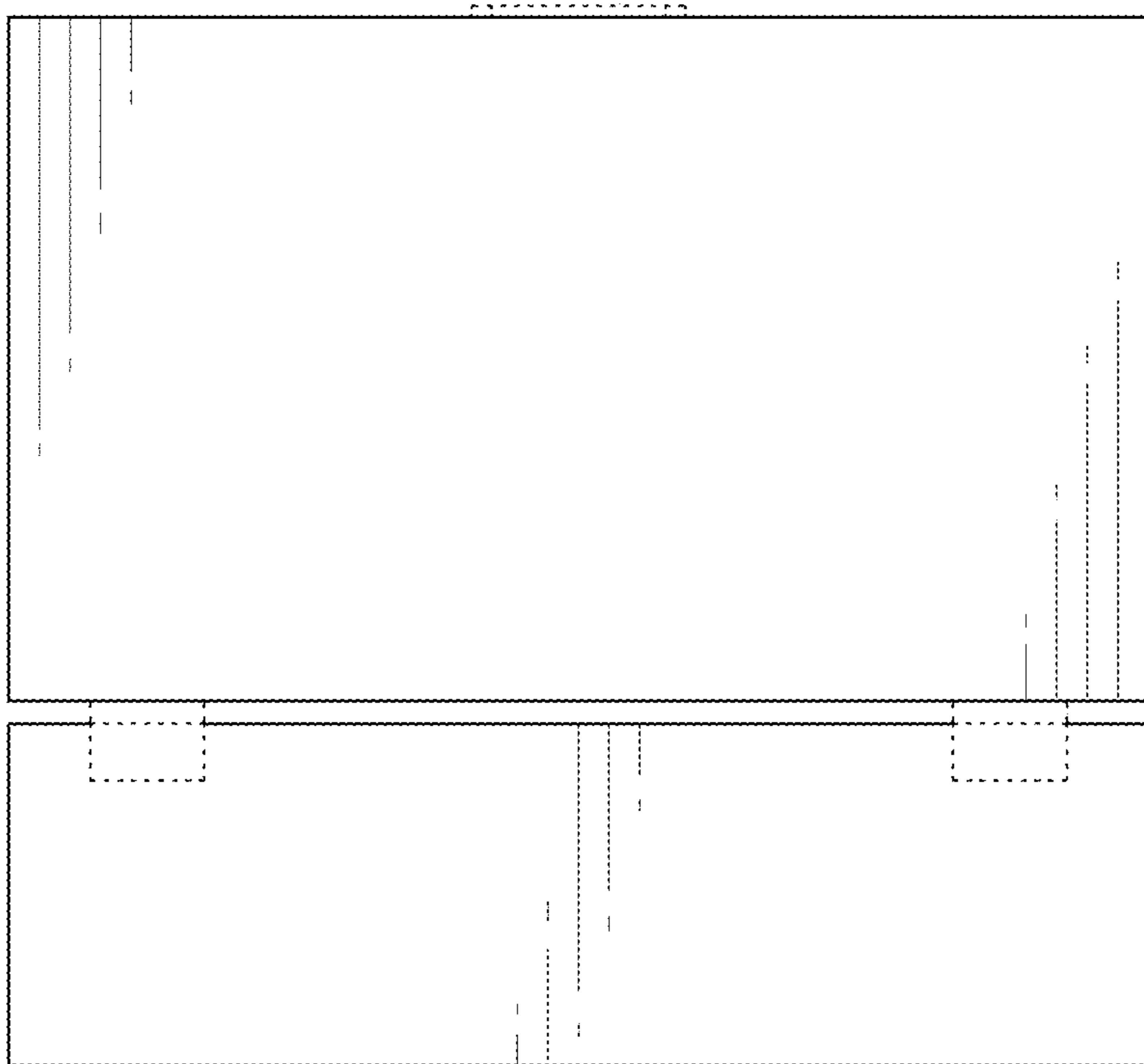


FIG. 3

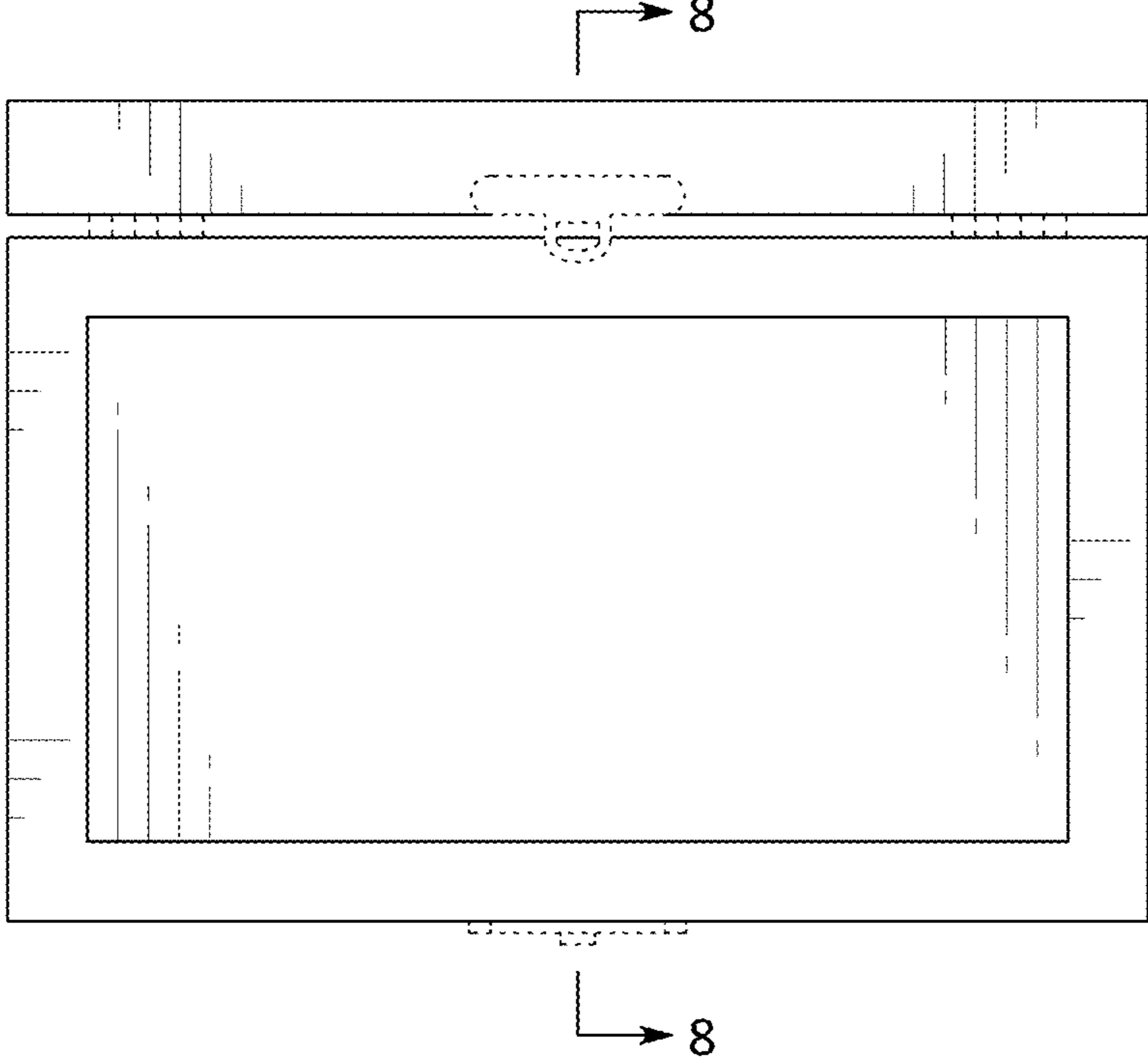


FIG. 4

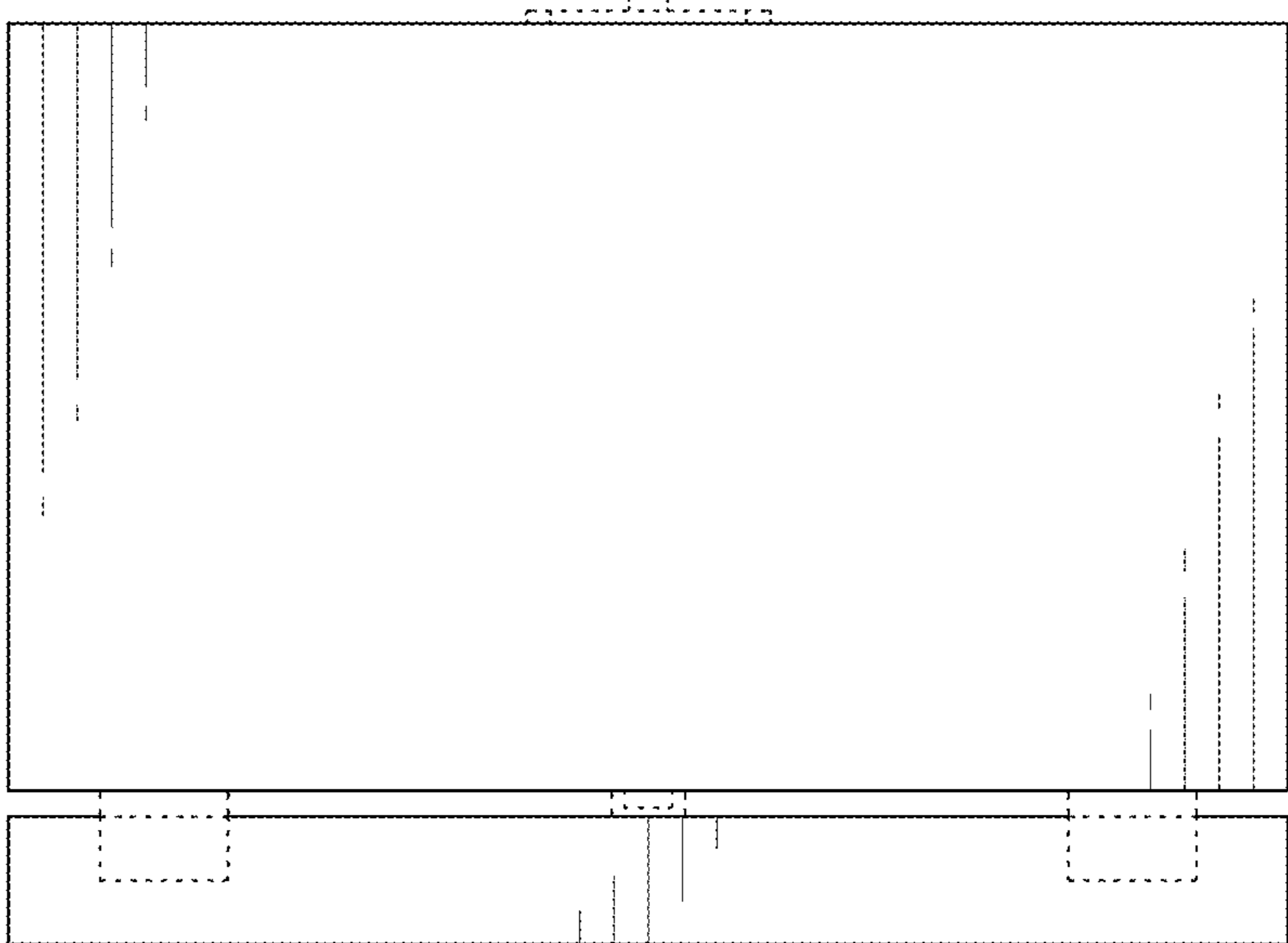


FIG. 5

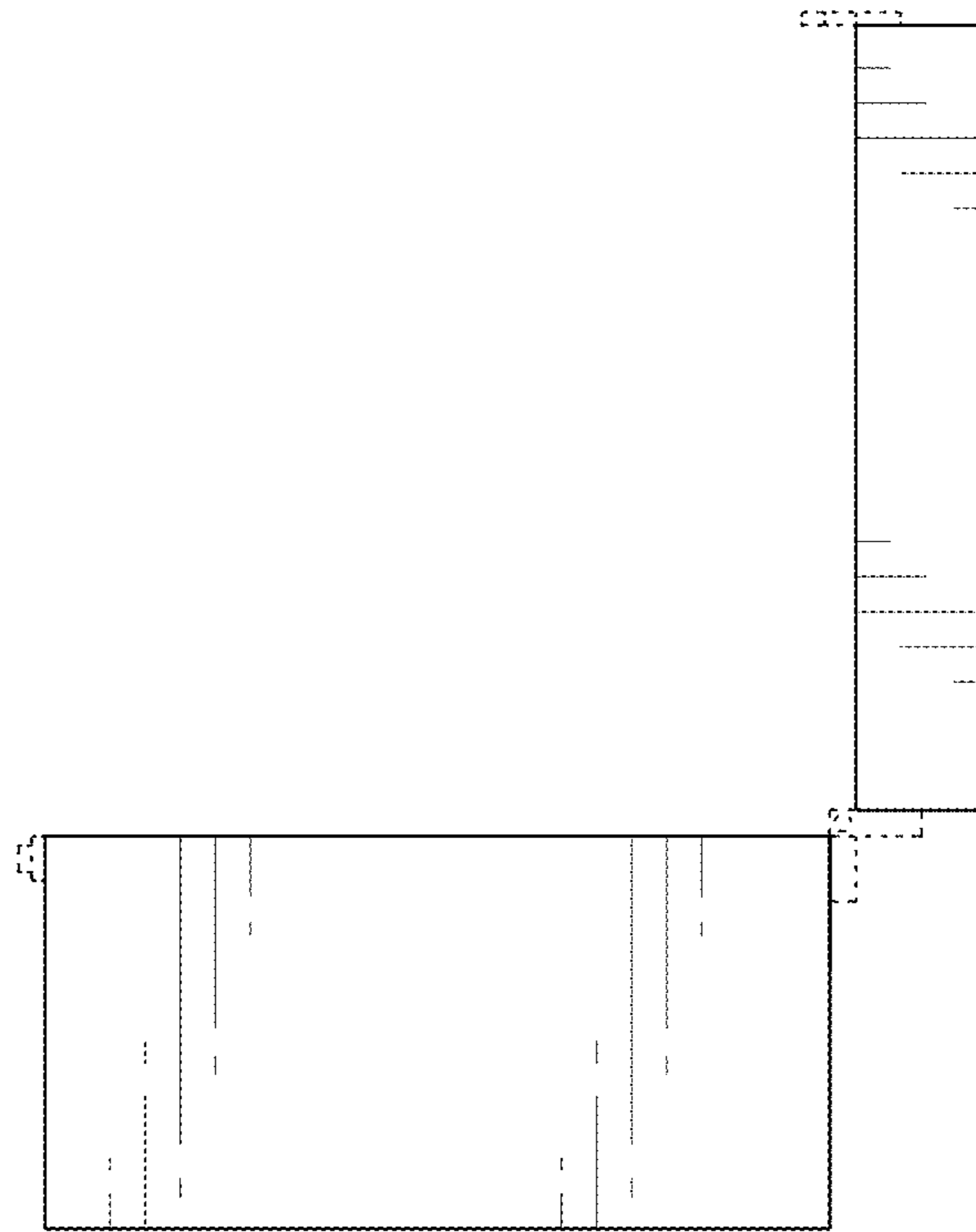


FIG. 6

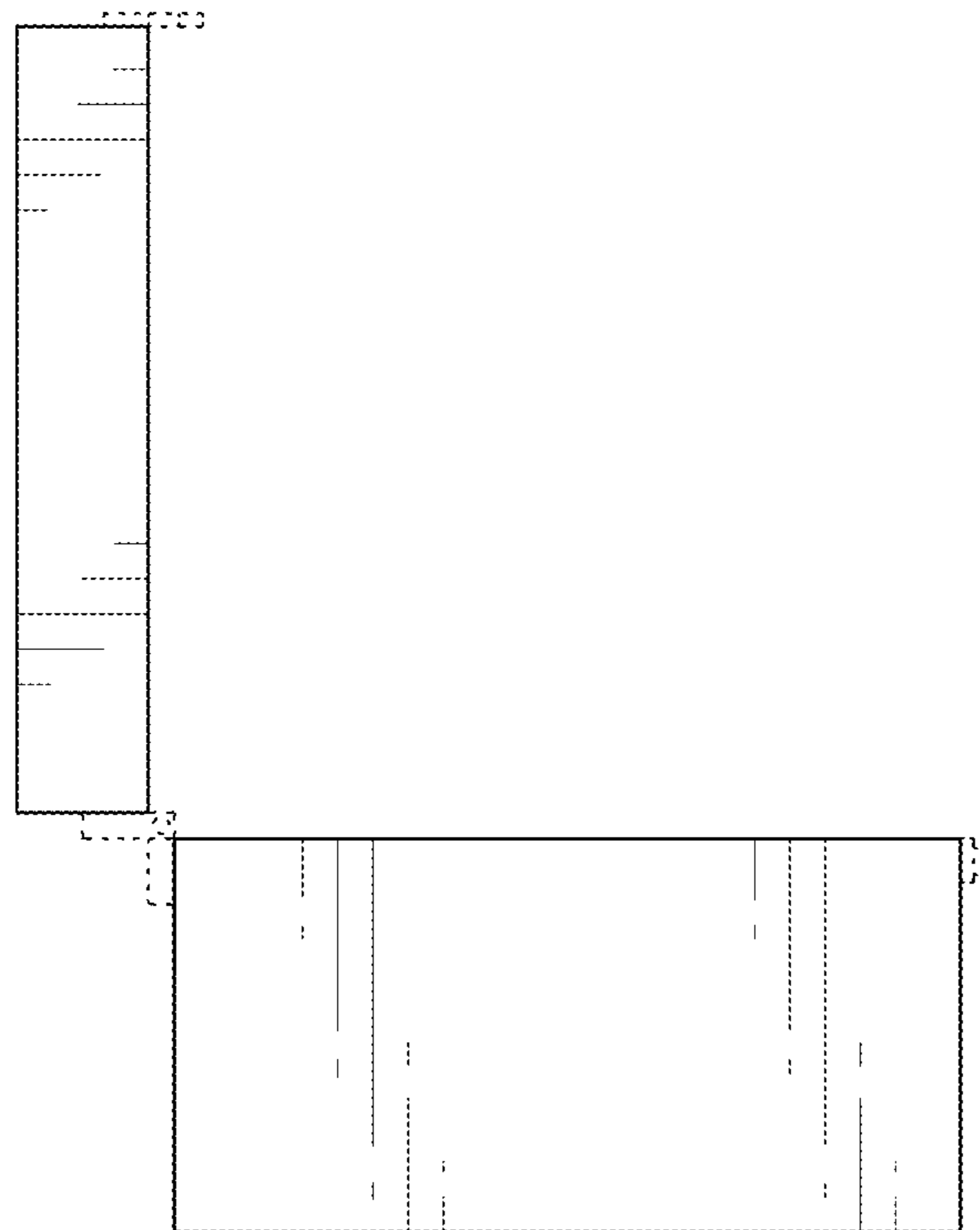


FIG. 7

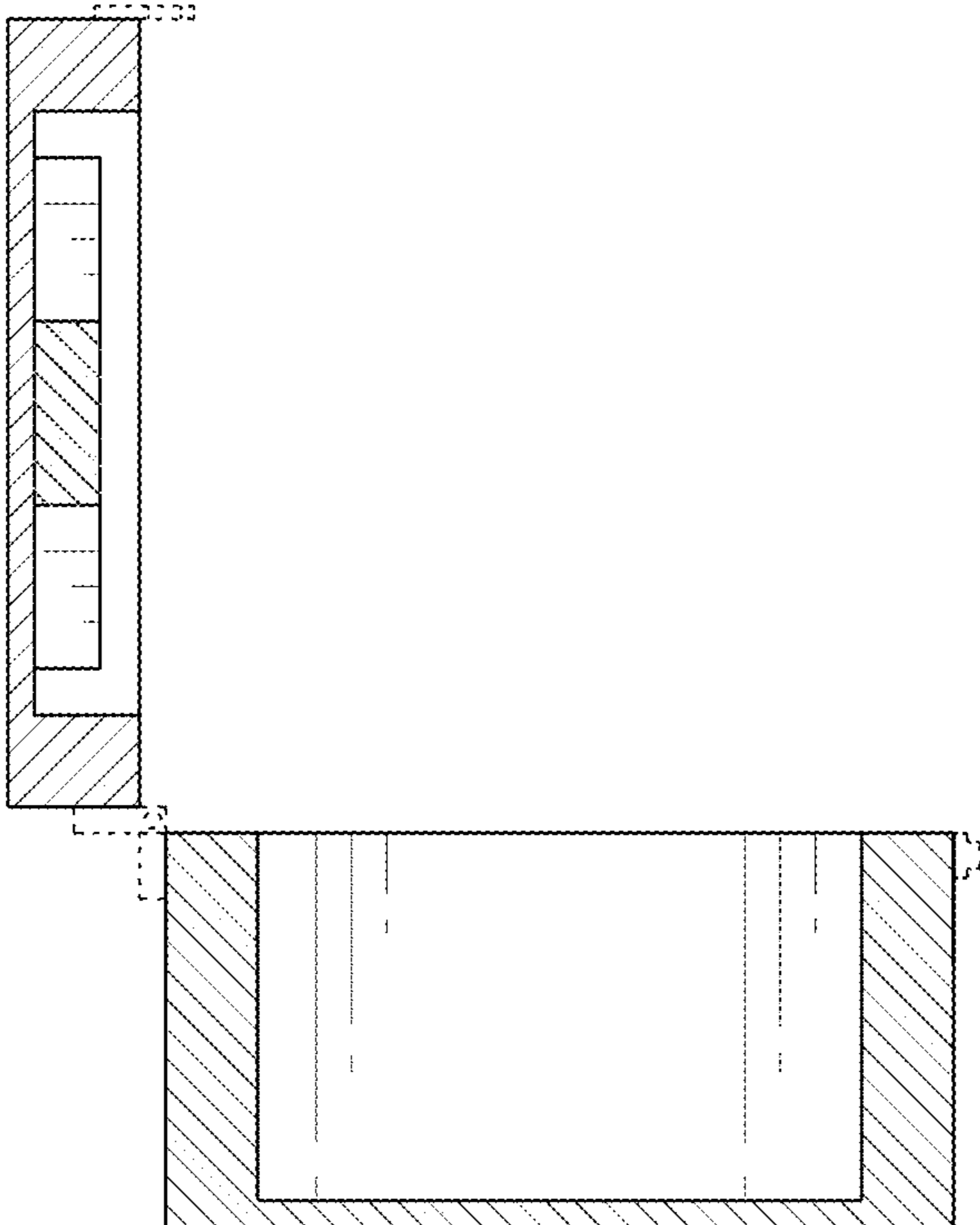


FIG. 8