

US00D997708S

(12) **United States Design Patent**
Dawson

(10) **Patent No.:** **US D997,708 S**

(45) **Date of Patent:** **** Sep. 5, 2023**

(54) **TABLE CLAMP**

(71) Applicant: **Dony Dawson**, Dallas, TX (US)

(72) Inventor: **Dony Dawson**, Dallas, TX (US)

(**) Term: **15 Years**

(21) Appl. No.: **29/732,312**

(22) Filed: **Apr. 23, 2020**

(51) **LOC (14) Cl.** **08-08**

(52) **U.S. Cl.**
USPC **D8/394**; D8/72

(58) **Field of Classification Search**
USPC .. D6/684; D7/683, 685, 686; D8/71-74, 394-
D8/399, 59; D15/140; D24/143
CPC B23Q 1/28; B23Q 7/1431; F16B 12/20;
F16B 2/12; B23K 37/0435; B23D 47/04; Y10T
83/4645; Y10T 83/6563; Y10T 83/7553; Y10T
83/7697; Y10T 83/7722

See application file for complete search history.

(56) **References Cited**

U.S. PATENT DOCUMENTS

1,425,868	A *	8/1922	La Point	F16B 12/20 108/159.11
1,805,395	A *	5/1931	Glass	B25H 1/00 269/254 R
3,697,046	A *	10/1972	Sur	B66F 1/06 269/143
D235,475	S *	6/1975	Waldman	D15/140
D351,295	S *	10/1994	Noniewicz	D6/684
D361,337	S *	8/1995	Hardy	D15/123

D361,774	S *	8/1995	Barry	D15/140
D391,150	S *	2/1998	Anderson	D8/394
D425,771	S *	5/2000	Dearing et al.	D8/71
D481,402	S *	10/2003	Jenkins et al.	D15/140
6,912,940	B1*	7/2005	Atwood	B23D 47/04 83/462
D533,571	S *	12/2006	Degen	D15/140
D642,603	S *	8/2011	Michael	D25/138
D722,491	S *	2/2015	Ramsauer	D8/395
D804,926	S *	12/2017	Atkinson	D15/140
2013/0074294	A1*	3/2013	Lynch	A47G 21/167 24/535

* cited by examiner

Primary Examiner — David G Muller
Assistant Examiner — Christina Gabrielle Cosden
(74) *Attorney, Agent, or Firm* — Leavitt Eldredge Law Firm

(57) **CLAIM**

The ornamental design for a table clamp as shown and described.

DESCRIPTION

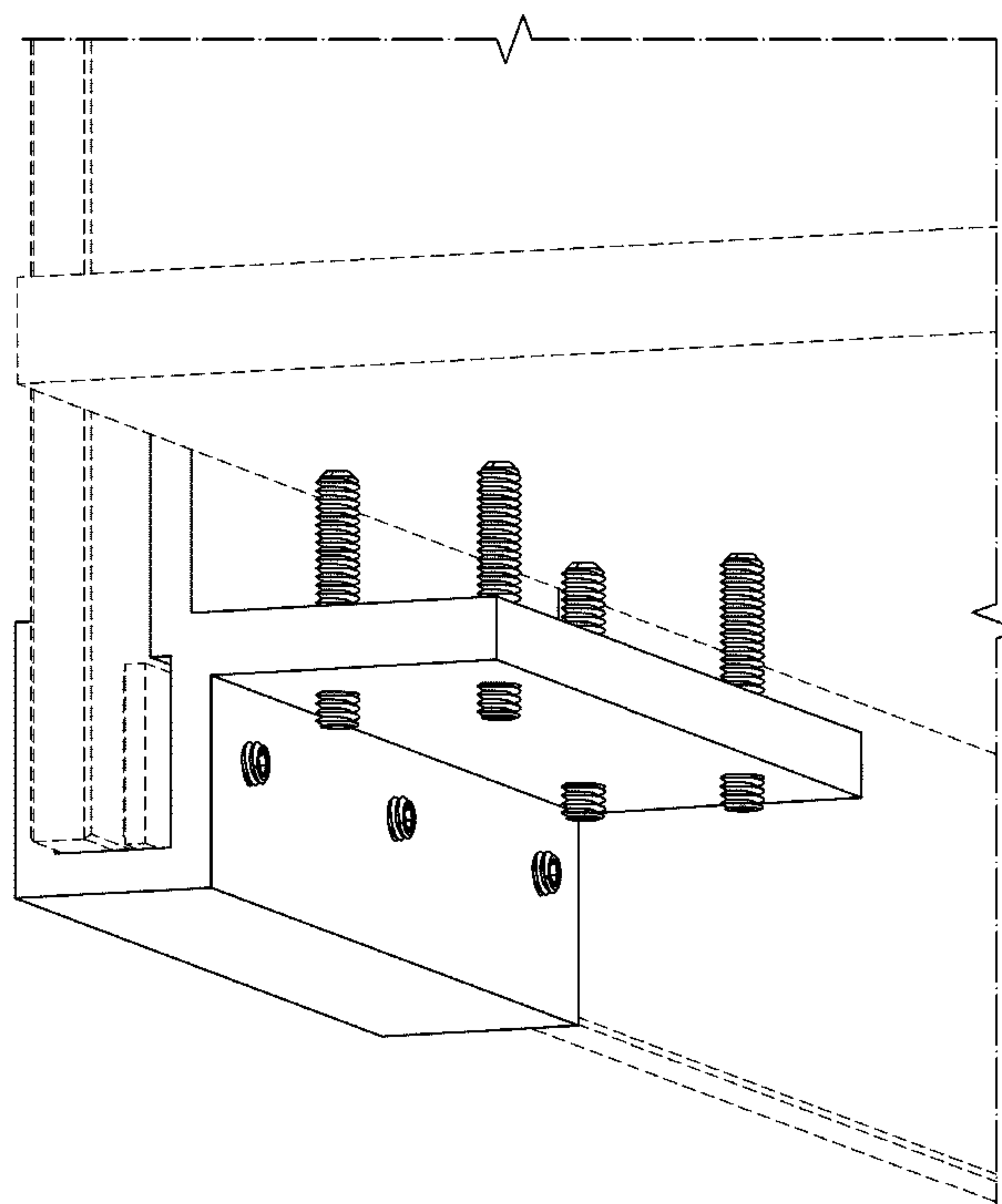
FIG. 1 is an isometric view of a table clamp according to the present application.

FIG. 2 is a section view of the table clamp.

FIG. 3 is a top isometric view of the table clamp.

The broken lines in the figures are included for the purposes of illustration of use and environment and form no part of the claimed design. The dash dot lines represent the boundaries of the claimed design and section view and form no part of the claimed design.

1 Claim, 3 Drawing Sheets



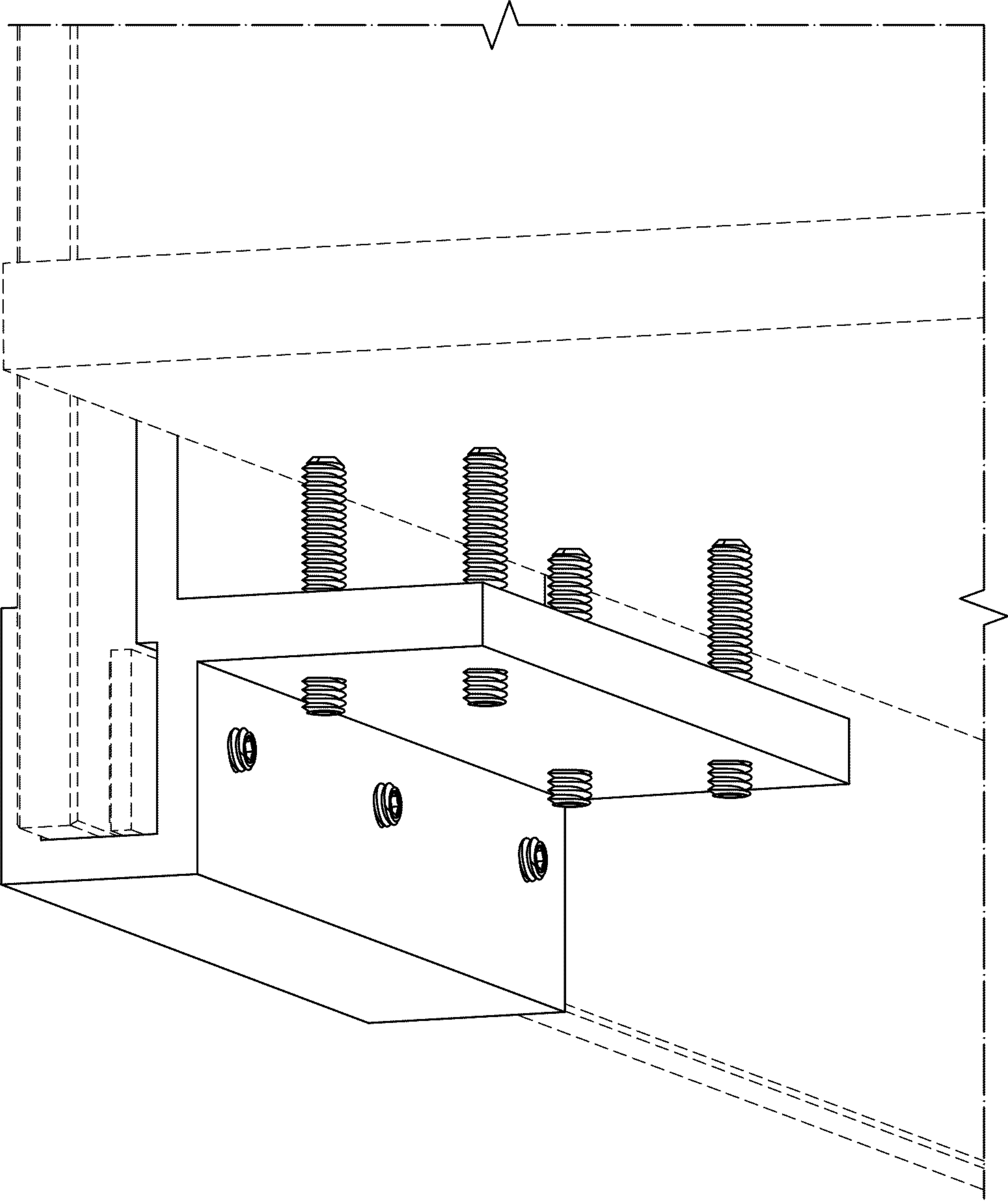


FIG. 1

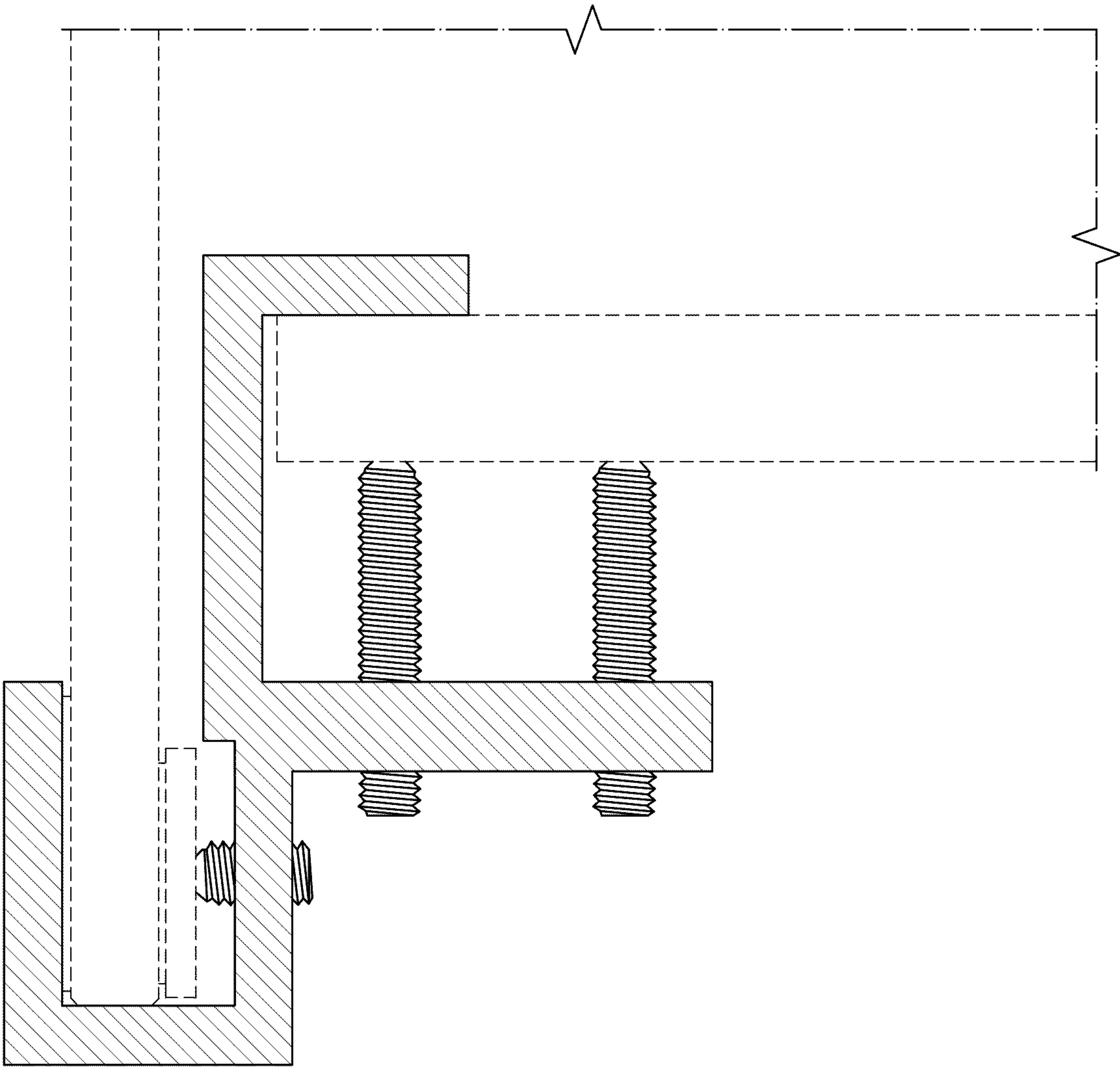


FIG. 2

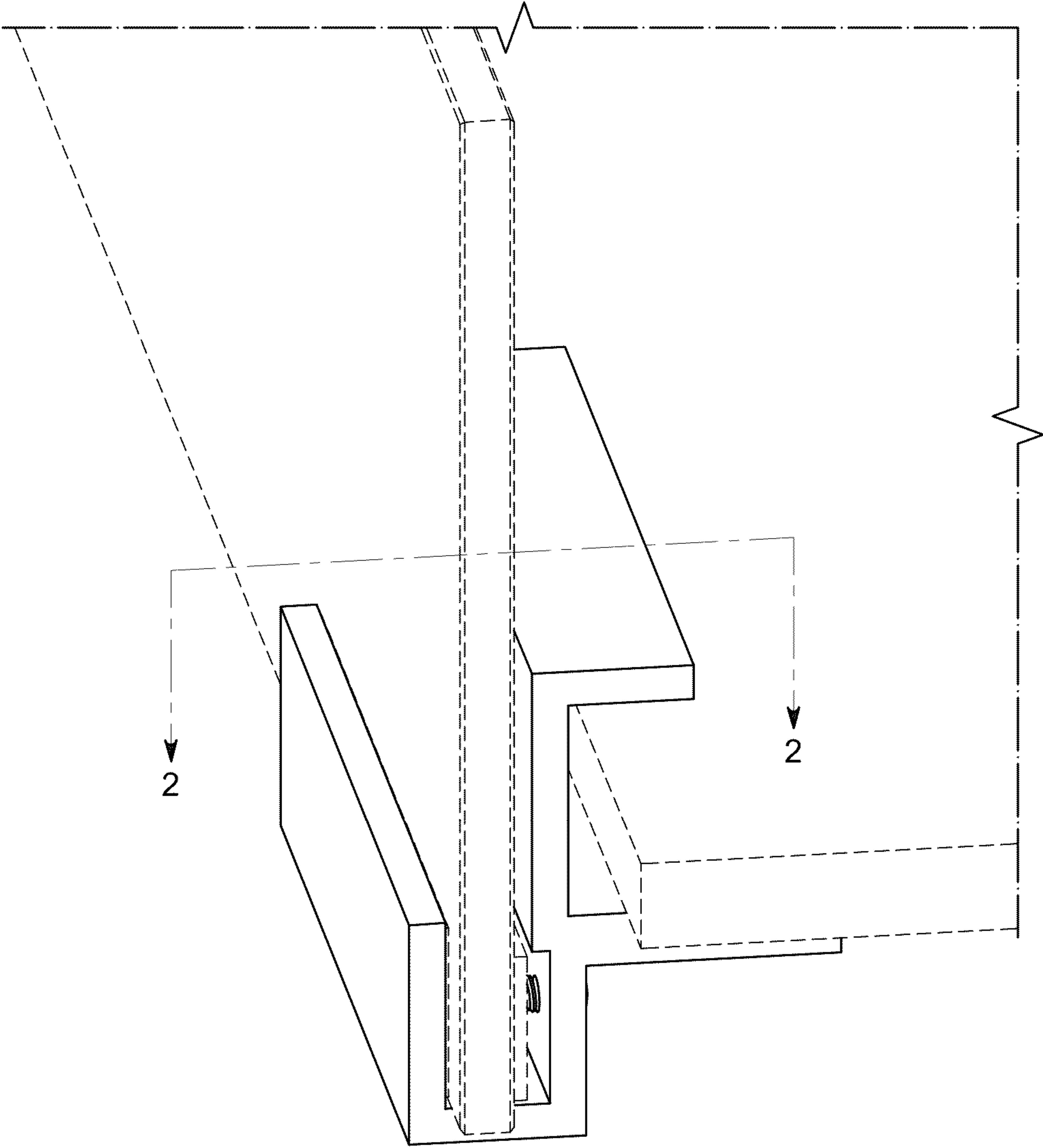


FIG. 3