

US00D997624S

(12) **United States Design Patent**  
**Fan**

(10) **Patent No.:** **US D997,624 S**

(45) **Date of Patent:** **\*\* Sep. 5, 2023**

- (54) **STOVE**
- (71) Applicant: **Hongxia Fan**, Changde (CN)
- (72) Inventor: **Hongxia Fan**, Changde (CN)
- (\*\*) Term: **15 Years**

D980,664 S \* 3/2023 Huang ..... D23/343  
 D981,779 S \* 3/2023 Huang ..... A47J 37/0704  
 D23/343  
 2018/0195732 A1\* 7/2018 Drummond ..... A47J 37/0704  
 2020/0378606 A1\* 12/2020 Lin ..... F23B 80/04

- (21) Appl. No.: **29/824,615**
- (22) Filed: **Jan. 26, 2022**
- (51) **LOC (14) Cl.** ..... **07-02**
- (52) **U.S. Cl.**  
USPC ..... **D7/332**
- (58) **Field of Classification Search**  
USPC ..... D7/348, 340, 334, 402, 403, 409  
CPC .. A47J 37/00; A47J 37/06; A47J 37/07; A47J  
37/079; A47J 37/0623; A47J 37/0682;  
A47J 37/0704; A47J 37/0718; A47J  
37/0763; A47J 37/0781; A47J 37/0786;  
A47J 31/303; F24C 3/02; F24C 3/00;  
F24C 15/2007; F24C 3/14; F24C 3/126  
See application file for complete search history.

(56) **References Cited**

**U.S. PATENT DOCUMENTS**

- 995,705 A \* 6/1911 Neel ..... A47J 37/0763  
126/9 R
- 4,342,306 A \* 8/1982 Thulman ..... F24B 7/00  
126/61
- 5,179,933 A \* 1/1993 McCrillis ..... F23N 5/022  
110/212
- D938,003 S \* 12/2021 Ming ..... D23/343
- D942,203 S \* 2/2022 Jiang ..... D7/339
- D944,584 S \* 3/2022 Jiang ..... D23/343
- D950,297 S \* 5/2022 Jiang ..... F24B 7/00  
D7/337
- D950,298 S \* 5/2022 Yang ..... F23N 5/022  
D7/339
- D968,868 S \* 11/2022 Xia ..... D23/343

**OTHER PUBLICATIONS**

Kweetle Portable Tent Stove, available in Amazon.com, date first available Sep. 8, 2022, site visited Jun. 1, 2023, Available from the internet URL: <<https://www.amazon.com/Kweetle-Portable-Camping-Grilling-Fireproof/dp/B0BD4RST3C>> (Year: 2022).\*

(Continued)

*Primary Examiner* — Andrew Kerr  
*Assistant Examiner* — Courtney J Clark-Rasheed  
(74) *Attorney, Agent, or Firm* — Jeenam Park

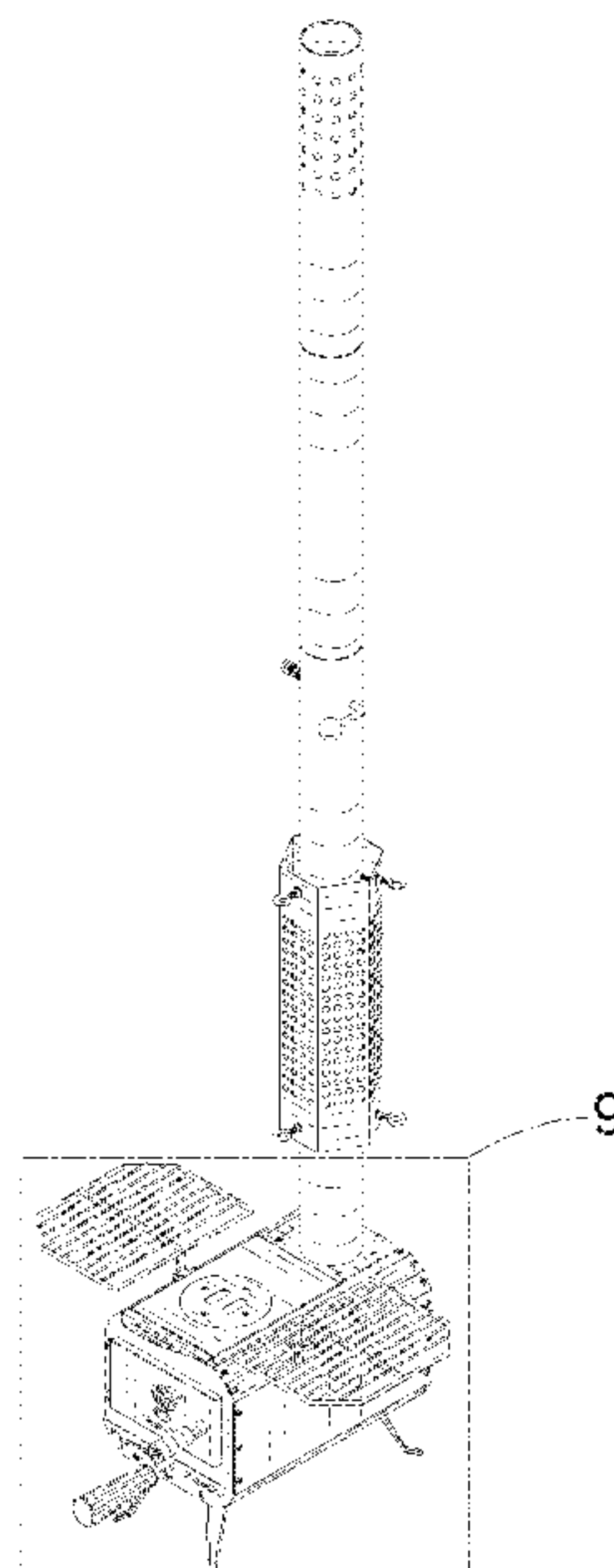
(57) **CLAIM**

The ornamental design for a stove, as shown and described.

**DESCRIPTION**

FIG. 1 is a perspective view of a stove, showing my new design;  
FIG. 2 is another perspective view thereof;  
FIG. 3 is a front view thereof;  
FIG. 4 is a rear view thereof;  
FIG. 5 is a left side view thereof;  
FIG. 6 is a right side view thereof;  
FIG. 7 is a top plan view thereof;  
FIG. 8 is a bottom plan view thereof;  
FIG. 9 is an enlarged view of FIG. 1; and,  
FIG. 10 is an enlarged view of FIG. 2.  
The broken line showing of the stove is for the purpose of illustrating article and forms no part of the claimed design.

**1 Claim, 10 Drawing Sheets**



(56)

**References Cited**

OTHER PUBLICATIONS

BiggerFire Camp Tent Stove, available in Amazon.com, date first available Oct. 31, 2022, site visited Jun. 1, 2023, Available from the internet URL: <<https://www.amazon.com/BiggerFire-Stainless-Steel-Portable-Burning-Shelter/dp/B0BKZV3P8B>> (Year: 2022).\*

Wholesale Foldable Portable, available in Alibaba.com, date first available unknown, site visited Jun. 1, 2023, Internet URL: <[https://www.alibaba.com/product-detail/Wholesale-Foldable-Portable-Winter-Camping-Cooking\\_1600431049965.html](https://www.alibaba.com/product-detail/Wholesale-Foldable-Portable-Winter-Camping-Cooking_1600431049965.html)> (Year: 2023).\*

\* cited by examiner

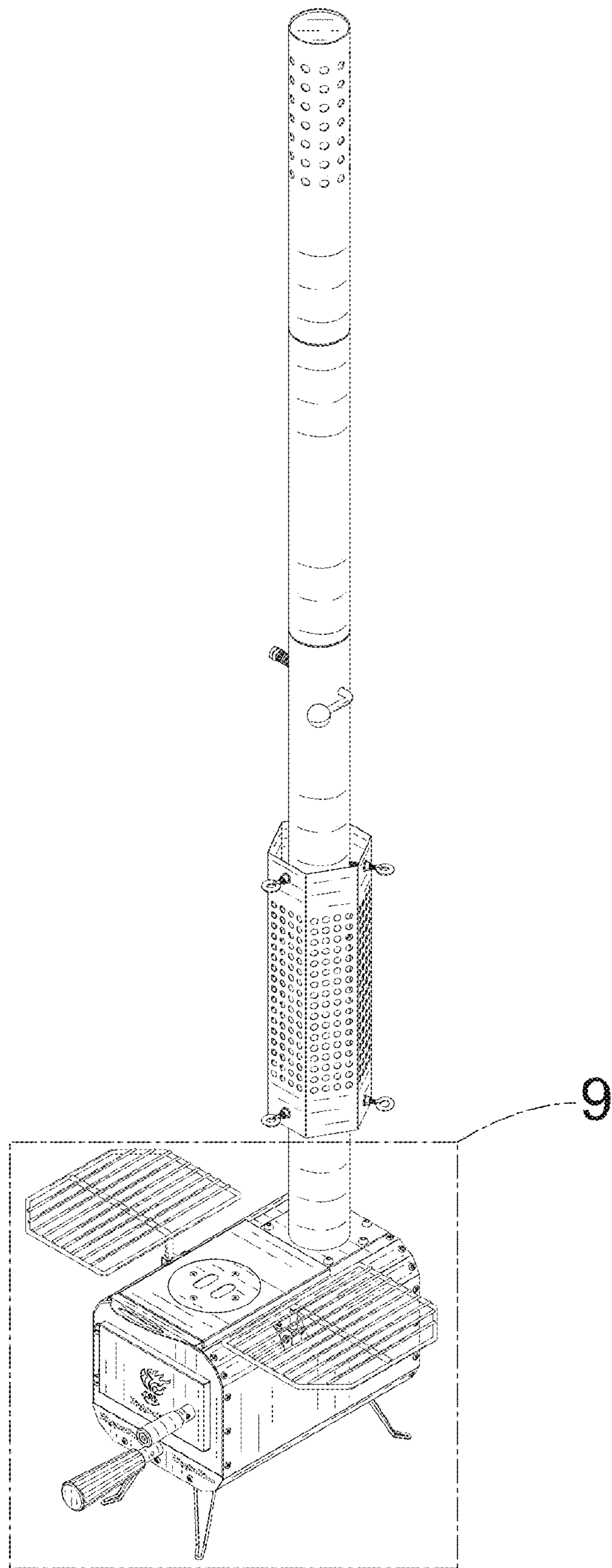


FIG. 1

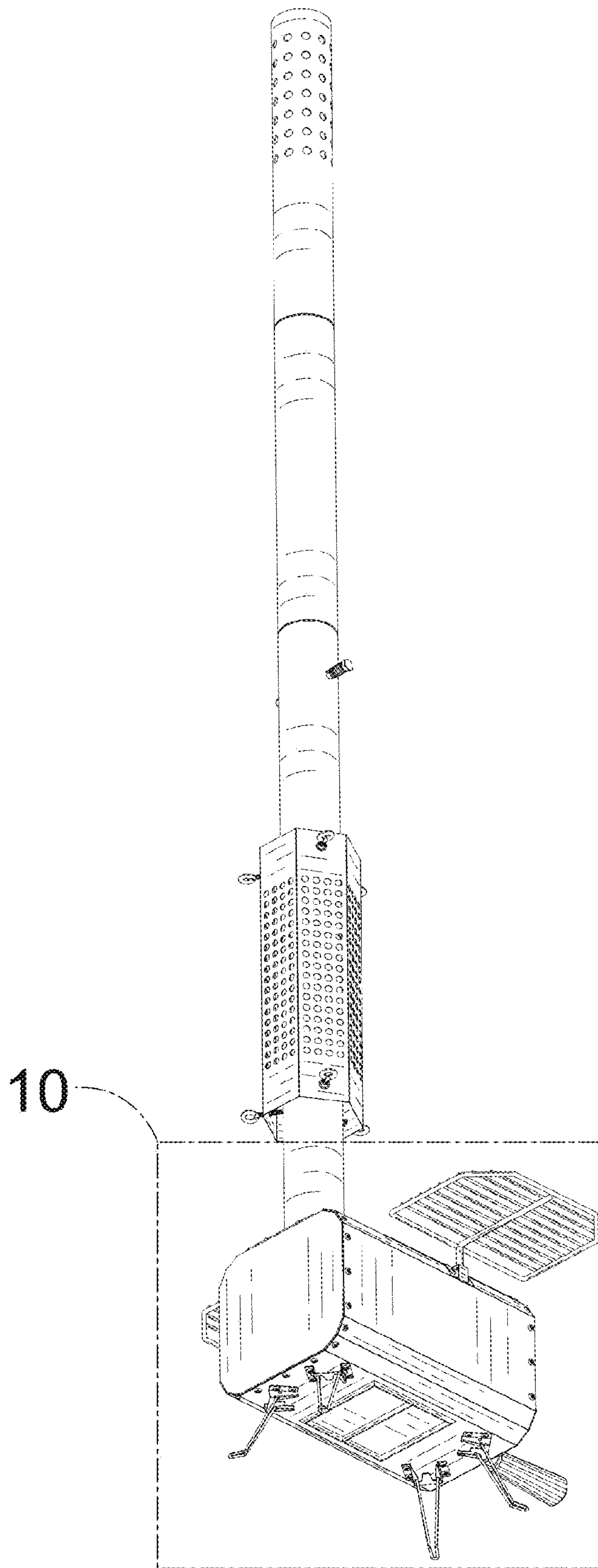


FIG. 2

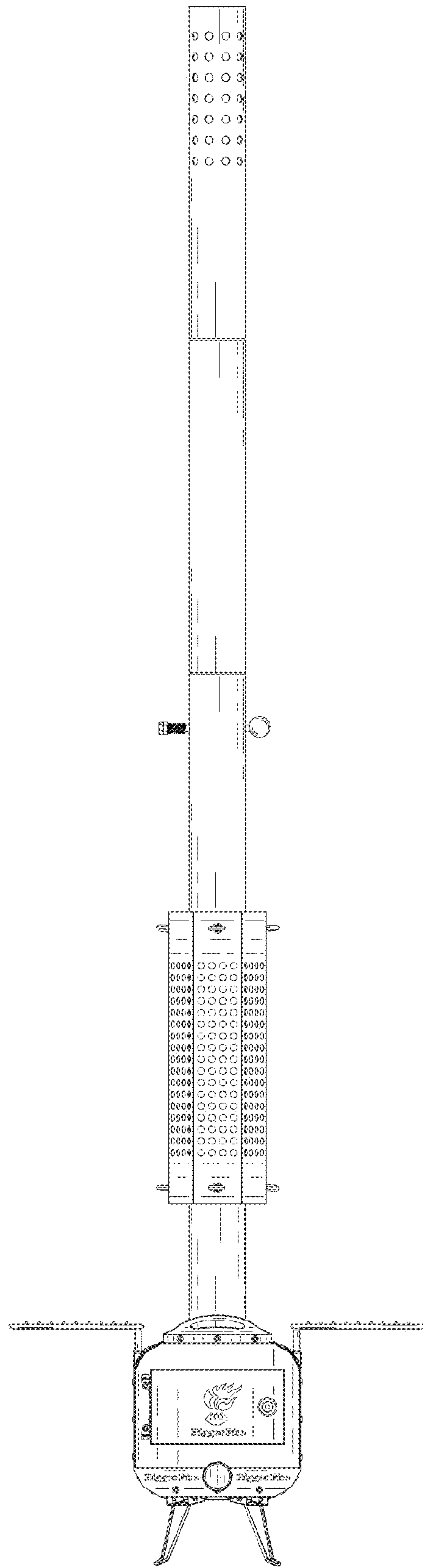


FIG. 3



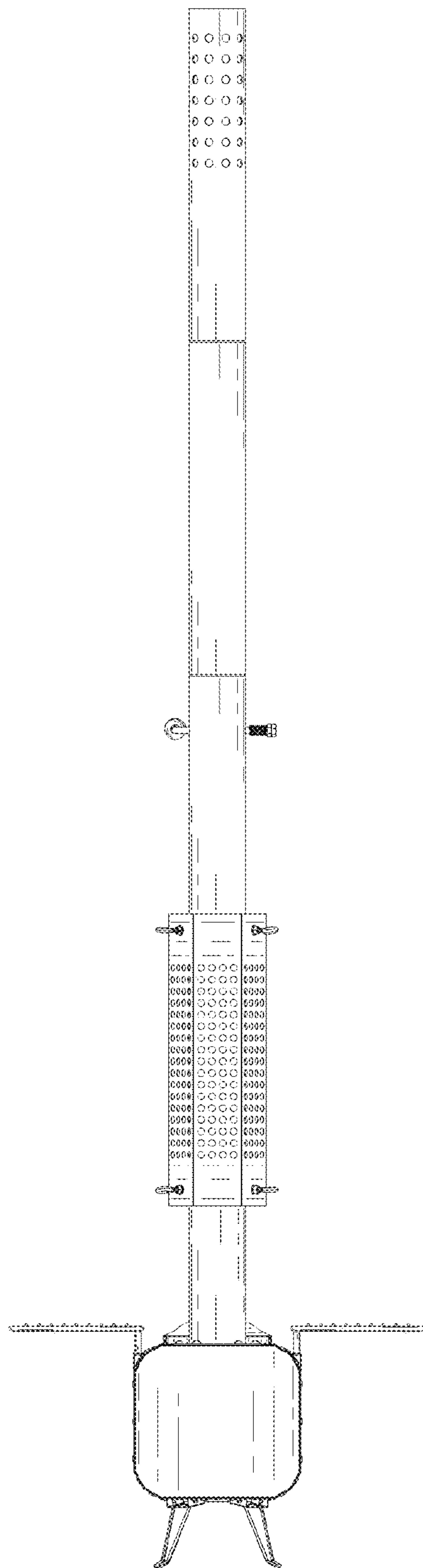


FIG. 4

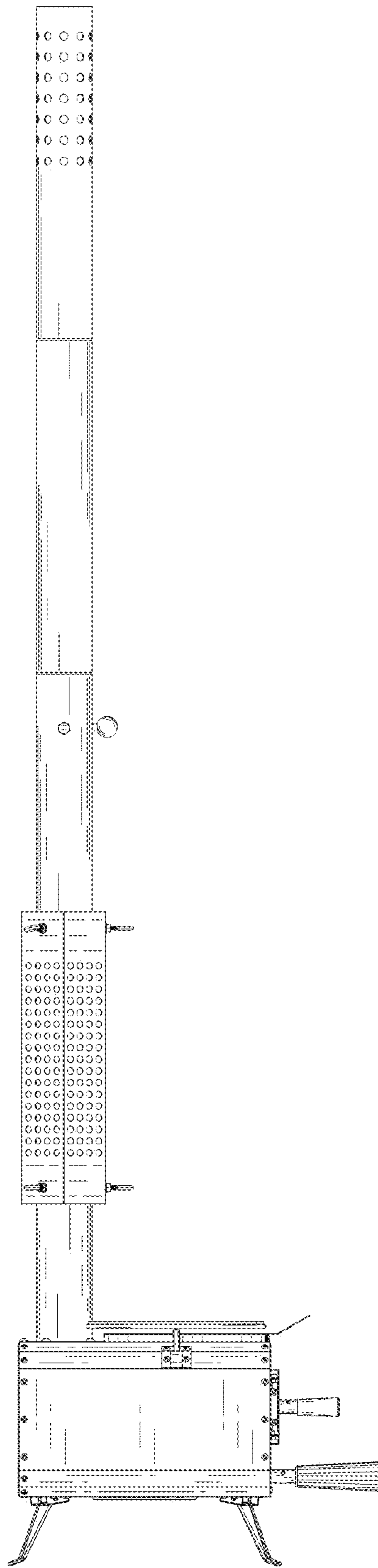


FIG. 5

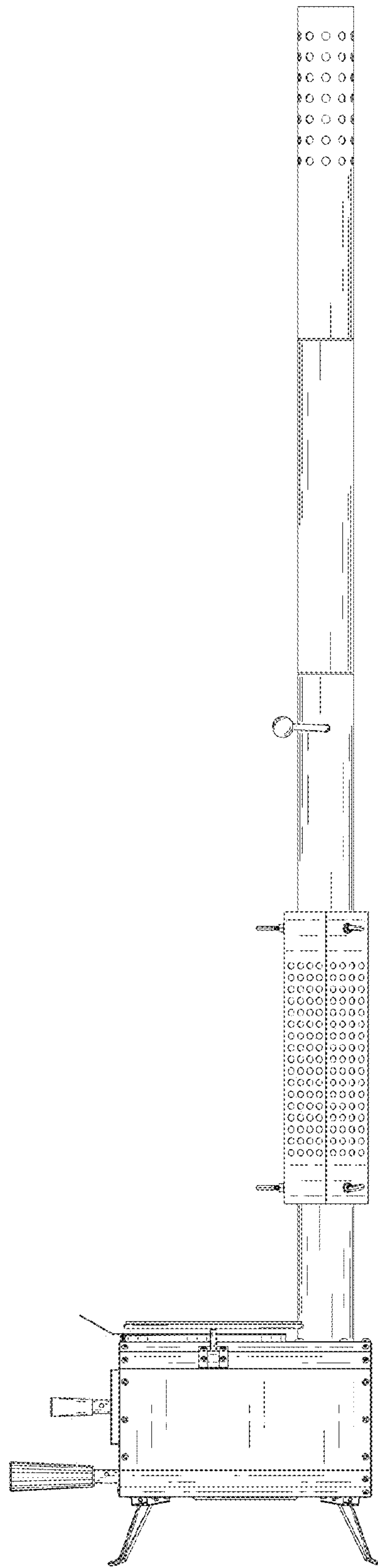


FIG. 6



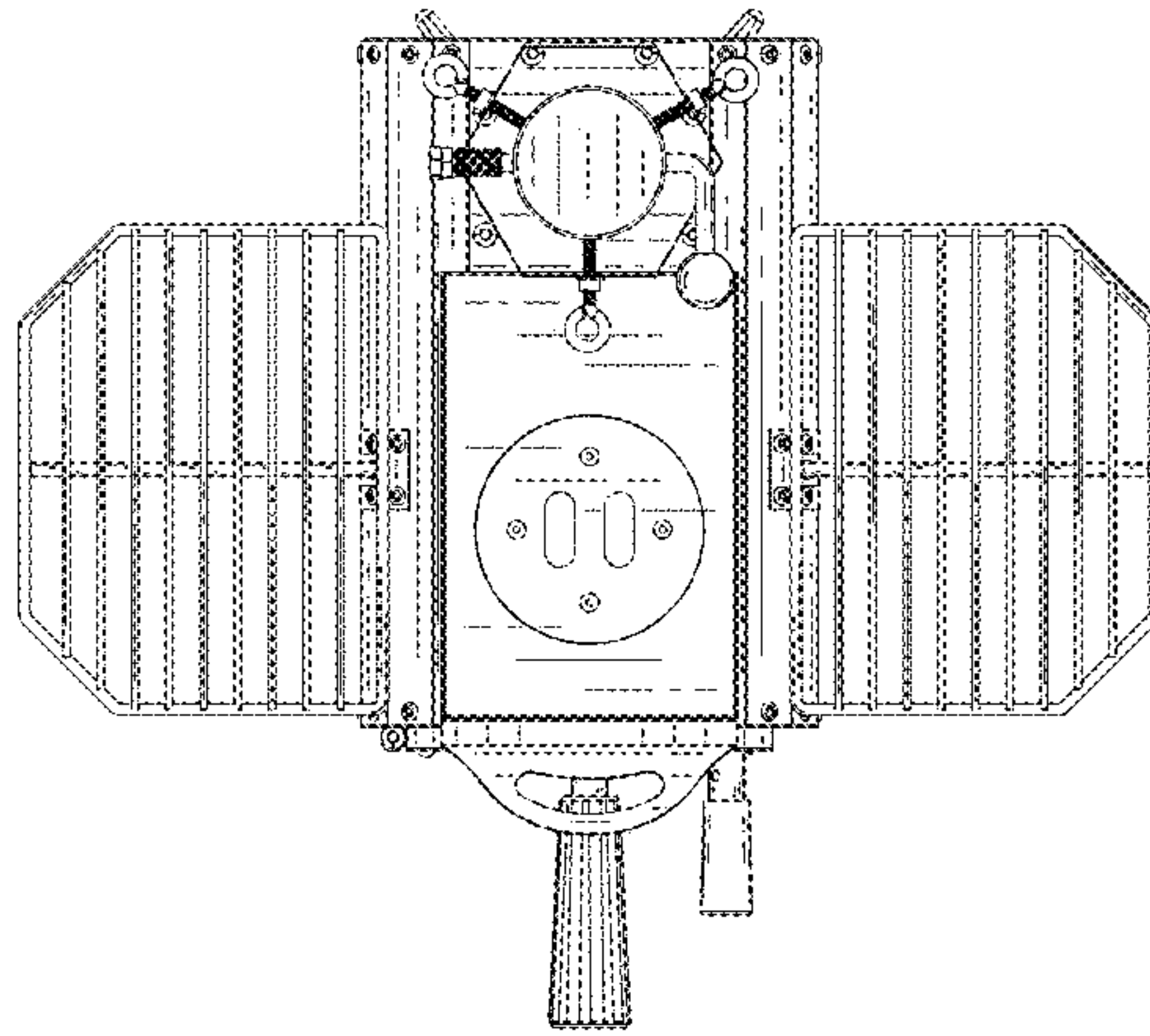


FIG. 7

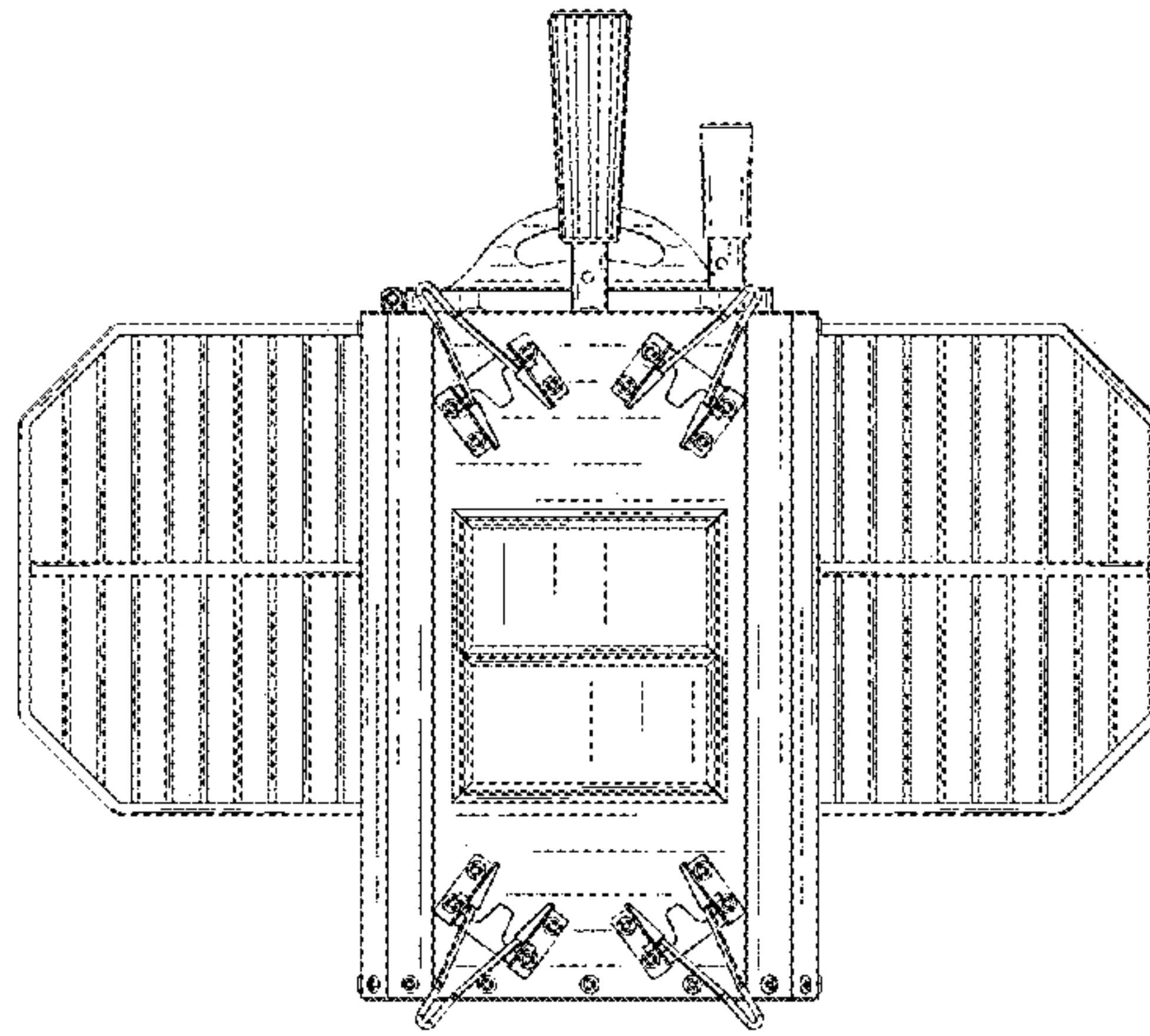


FIG. 8

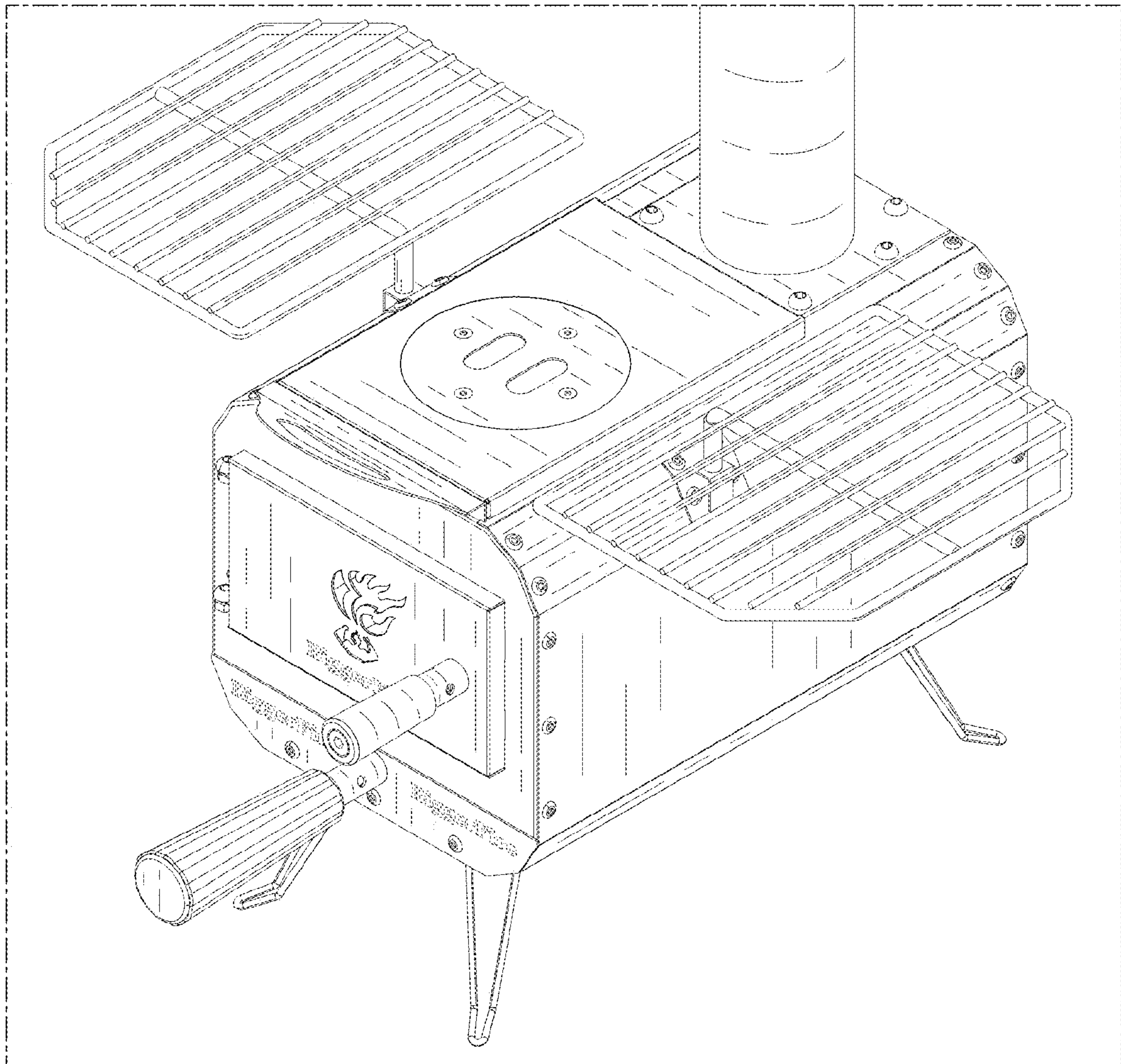


FIG. 9

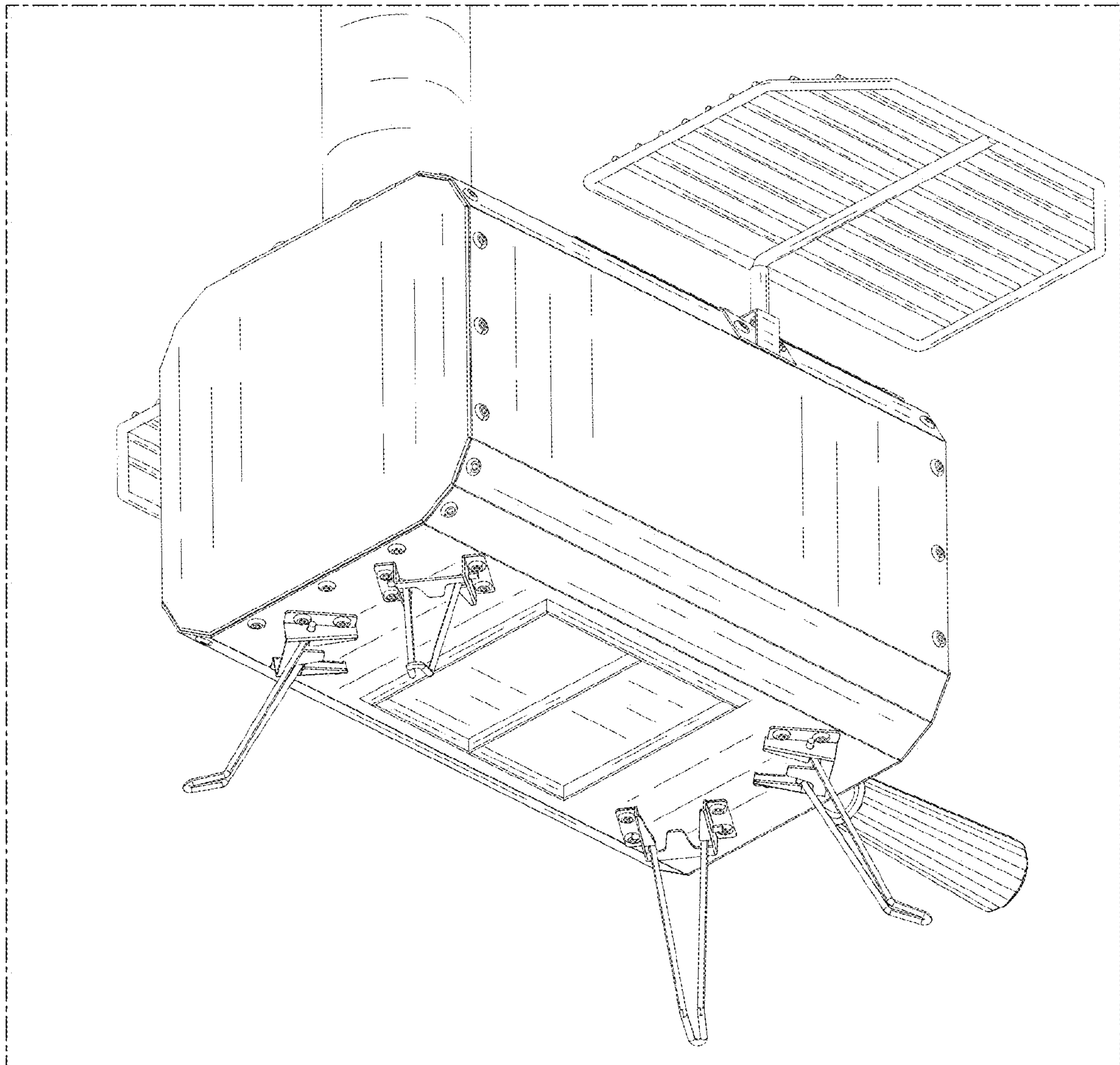


FIG. 10