

US00D997291S

(12) **United States Design Patent** (10) **Patent No.:** **US D997,291 S**
Ahmed (45) **Date of Patent:** **** Aug. 29, 2023**

(54) **MALE CONNECTOR FOR A FLEXIBLE FISHING LURE WITH AN INTERCHANGEABLE SWIMBAIT**

(71) Applicant: **Fahad Ahmed**, Santa Clara, CA (US)

(72) Inventor: **Fahad Ahmed**, Santa Clara, CA (US)

(**) Term: **15 Years**

(21) Appl. No.: **29/745,384**

(22) Filed: **Aug. 5, 2020**

5,490,345	A *	2/1996	Infinger	A01K 95/00	43/42.24
D662,172	S *	6/2012	Rago	D22/131	
D685,053	S *	6/2013	Altman	D22/133	
8,615,920	B2 *	12/2013	Taylor	A01K 91/04	43/42.49
D742,477	S *	11/2015	Cook, Jr.	D22/133	
D908,833	S *	1/2021	Ahmed	D22/133	
10,881,088	B2 *	1/2021	Ruboyianes	A01K 85/12	
11,219,197	B1 *	1/2022	Forrester	A01K 85/01	
11,330,808	B2 *	5/2022	Plihal	A01K 85/18	
11,412,721	B2 *	8/2022	Joye	A01K 83/06	
11,589,565	B1 *	2/2023	Chan	A01K 85/01	
2013/0205643	A1 *	8/2013	Smith	A01K 85/00	43/42.09

Related U.S. Application Data

(63) Continuation-in-part of application No. 16/876,676, filed on May 18, 2020, now Pat. No. 11,412,723.

(51) **LOC (14) Cl.** **22-05**

(52) **U.S. Cl.**
USPC **D22/125**

(58) **Field of Classification Search**
USPC D22/125, 133–134, 199; 43/42.09, 42.31, 43/42.39, 42.11, 42.15, 42.33
CPC A01K 85/00; A01K 85/001; A01K 85/005; A01K 85/011; A01K 85/012; A01K 85/12; A01K 85/122; A01K 85/125; A01K 85/1897

See application file for complete search history.

(56) **References Cited**

U.S. PATENT DOCUMENTS

1,510,923	A *	10/1924	Cosey	A01K 85/18	43/42.26
1,582,713	A *	4/1926	Welch	A01K 85/18	43/42.47
1,692,935	A *	11/1928	Heddon	A01K 85/18	43/42.15
5,369,906	A *	12/1994	Anterni	A01K 85/16	43/42.48
5,381,620	A *	1/1995	Gibbs	A01K 85/00	D22/133

* cited by examiner

Primary Examiner — Catherine R Oliver-Garcia

(57) **CLAIM**

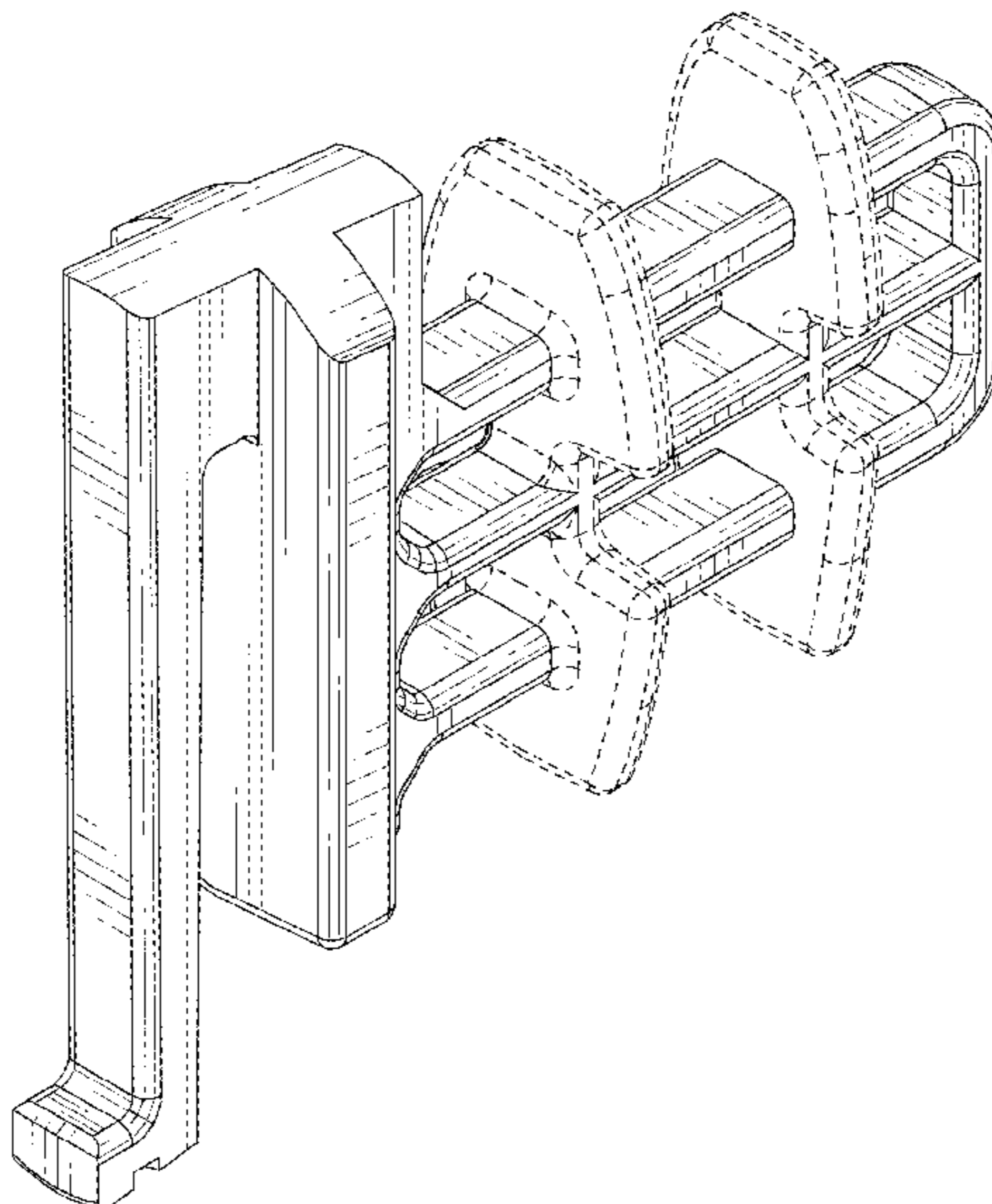
The ornamental design for a male connector for a flexible fishing lure with interchangeable swimbait, as shown and described.

DESCRIPTION

FIG. 1 is a top-front-left perspective view of a male connector for a flexible fishing lure with an interchangeable swimbait showing my design; FIG. 2 is a bottom-rear-left perspective view thereof; FIG. 3 is a front elevational view thereof; FIG. 4 is a rear elevational view thereof; FIG. 5 is a right side elevational view thereof; FIG. 6 is a left side elevational view thereof; FIG. 7 is a top plan view thereof; and, FIG. 8 is a bottom plan view thereof.

The broken line showing the male connector for a flexible fishing lure with interchangeable swimbait in FIGS. 1-8 are included for the purpose of showing environmental structure of at least one panel and form no part of the claimed design.

1 Claim, 8 Drawing Sheets



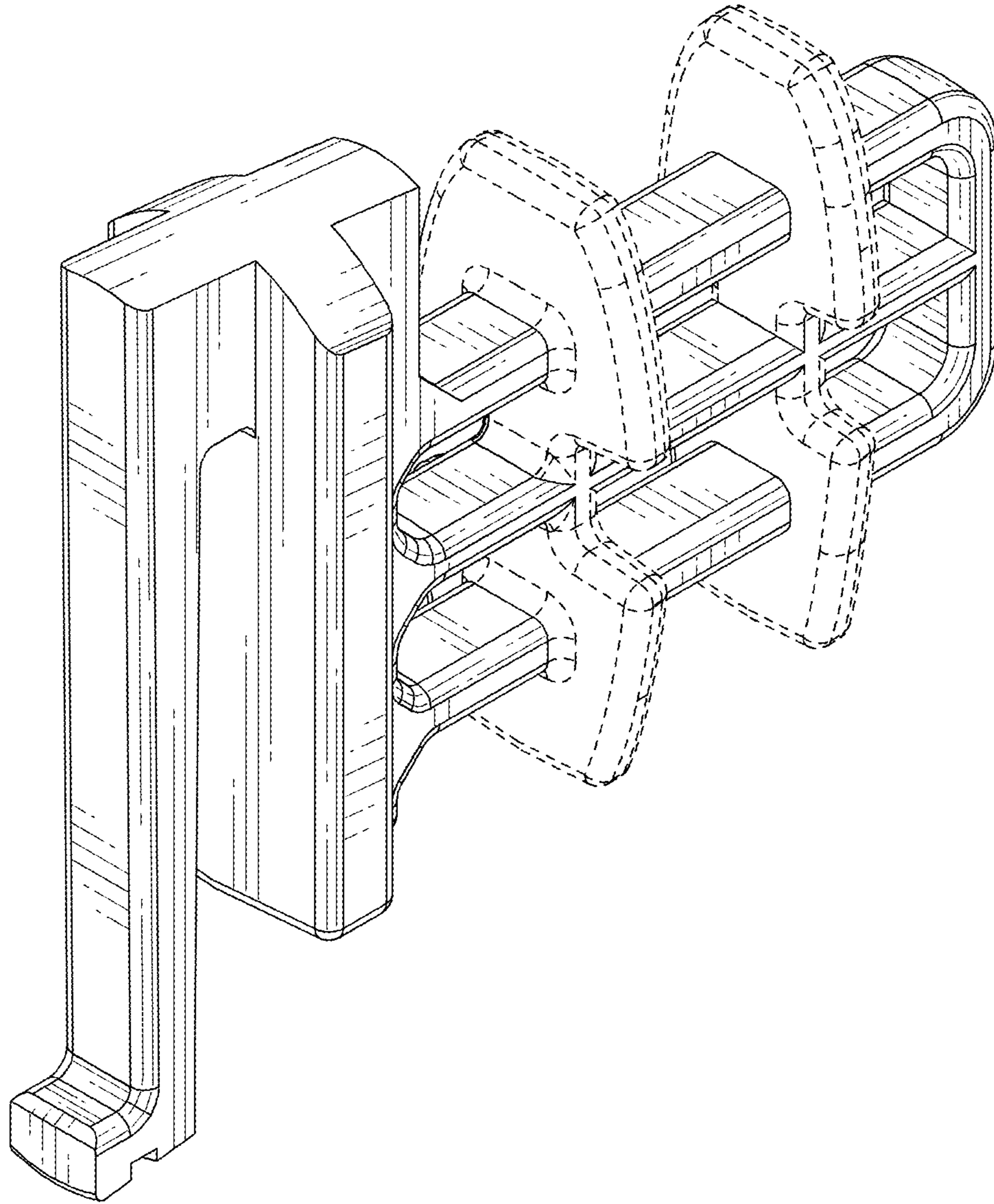


FIG. 1

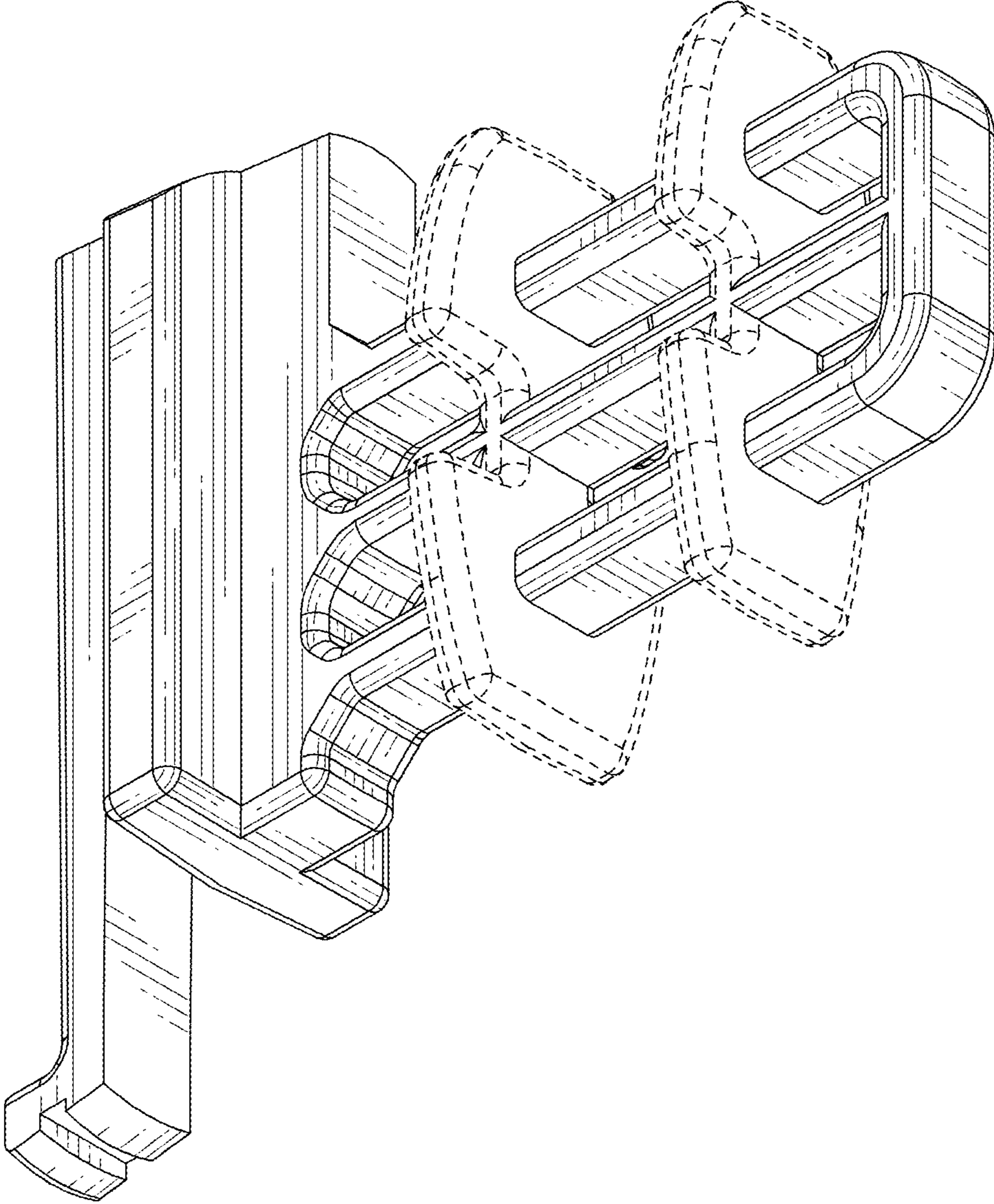


FIG. 2

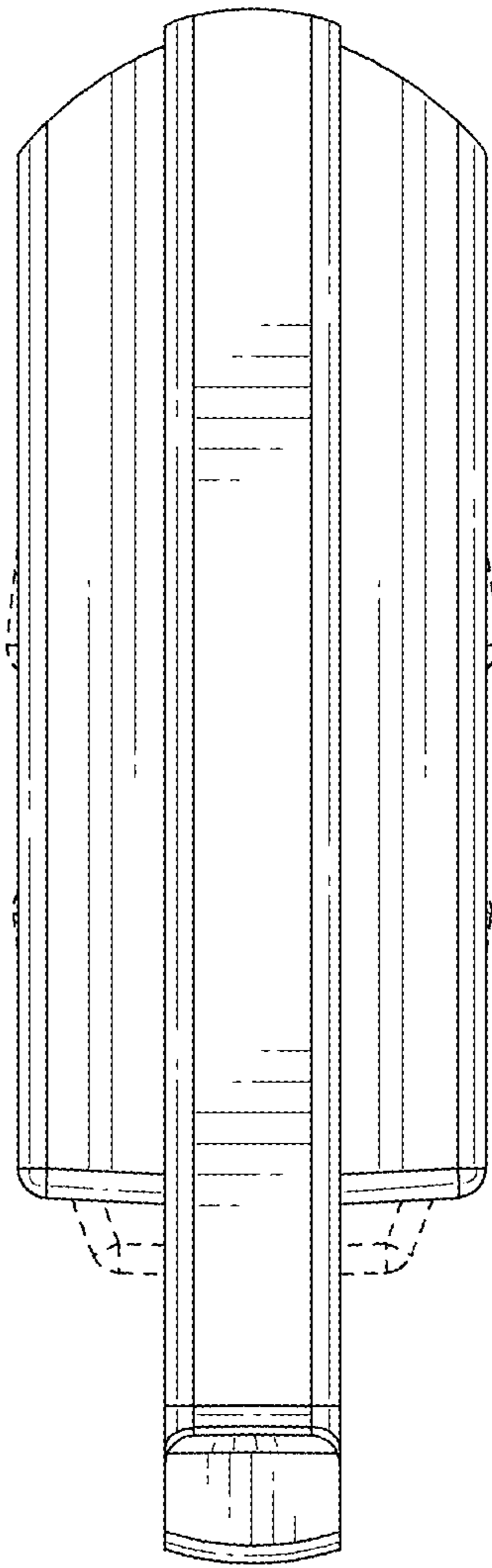


FIG. 3

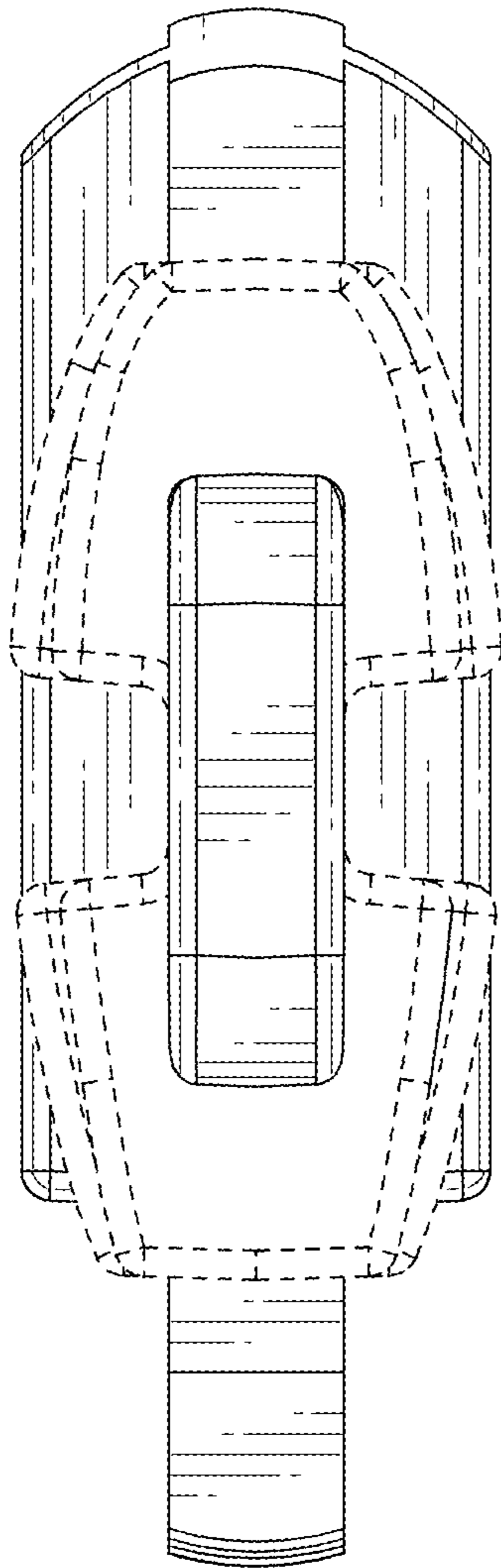


FIG. 4

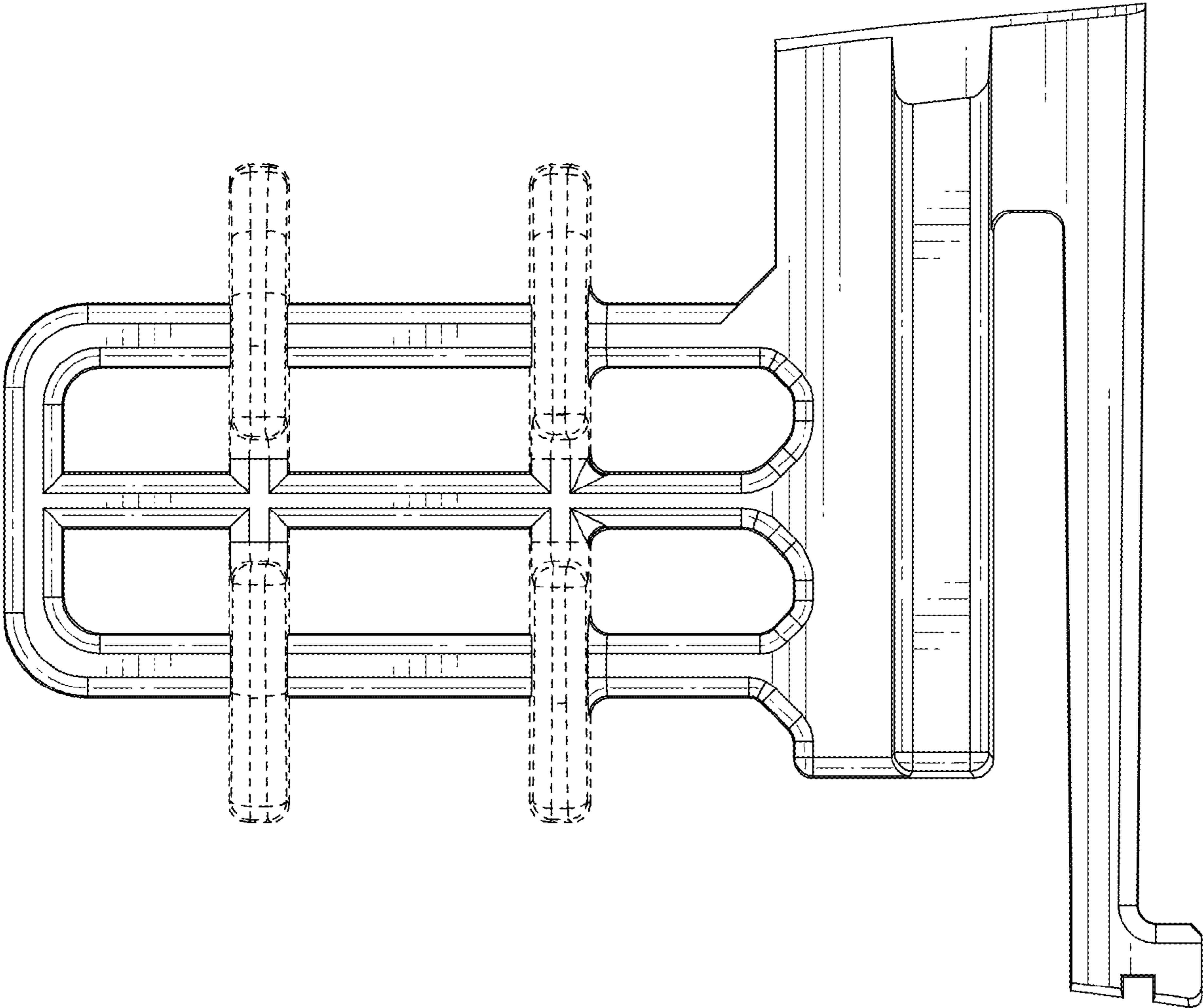


FIG. 5

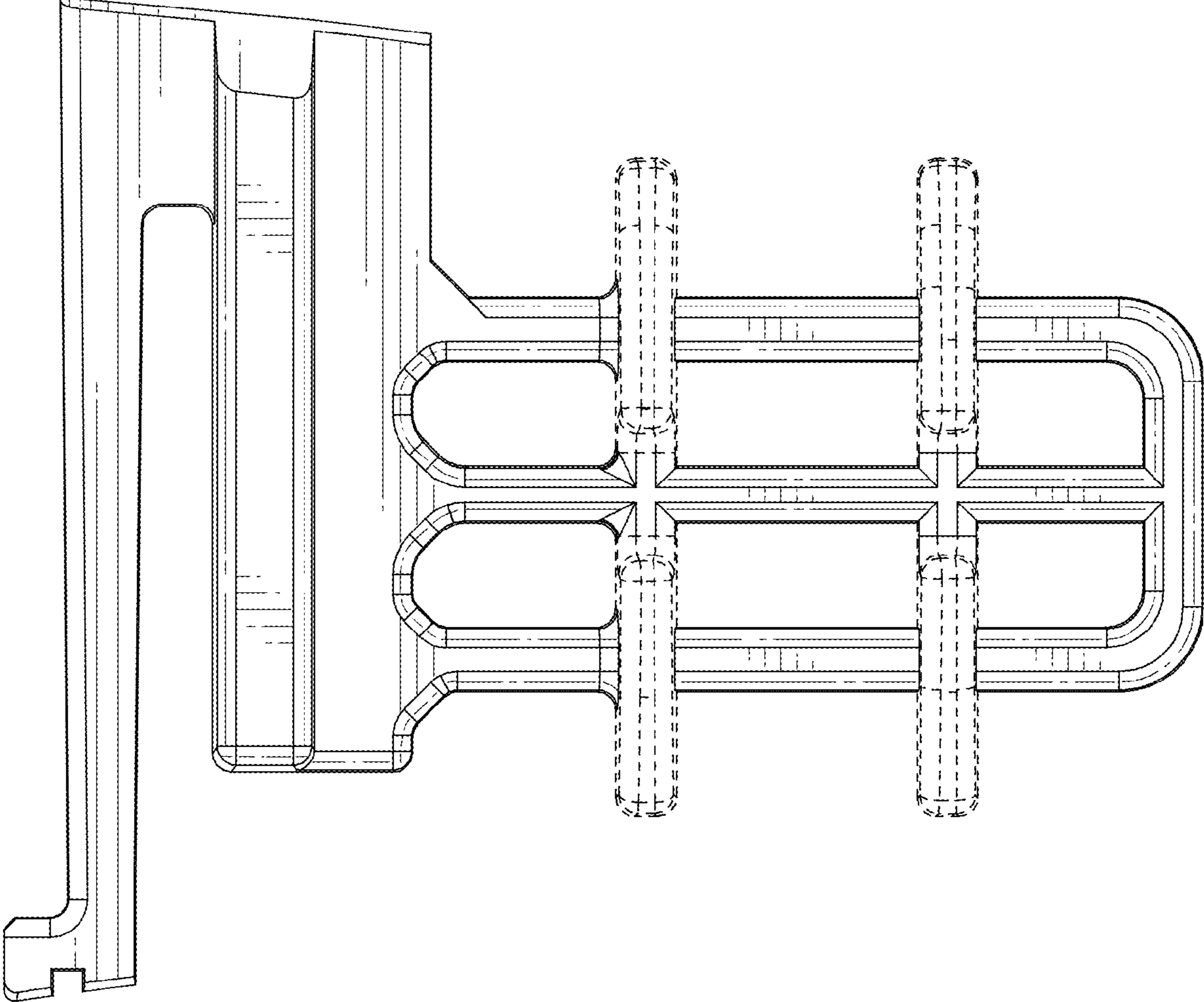


FIG. 6

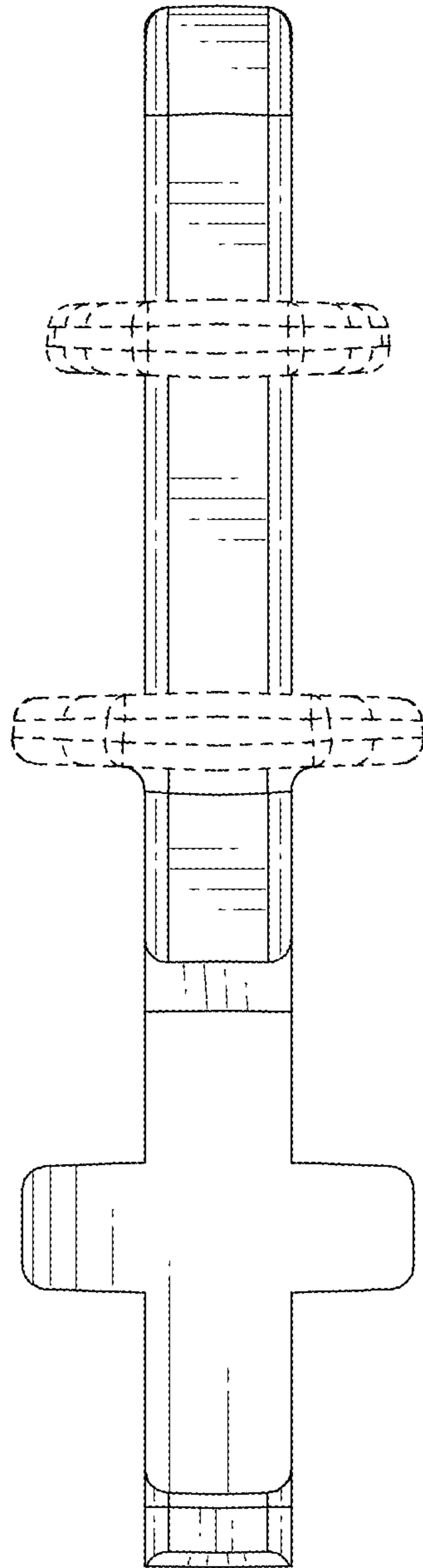


FIG. 7

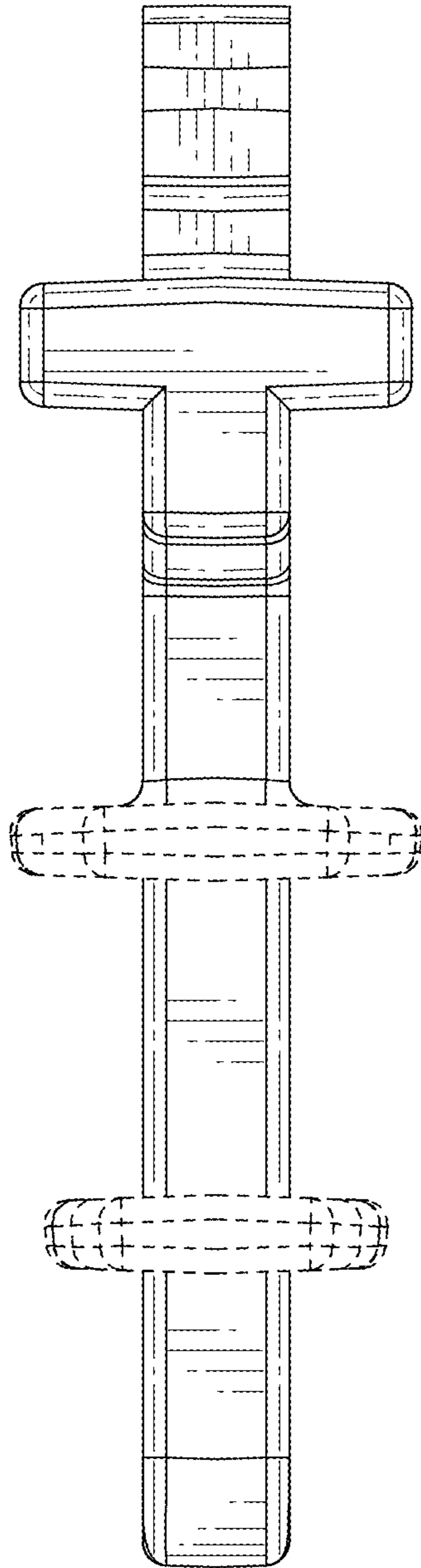


FIG. 8